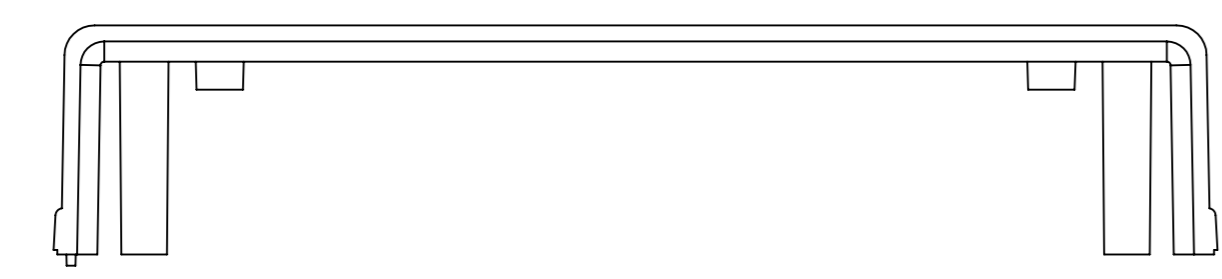
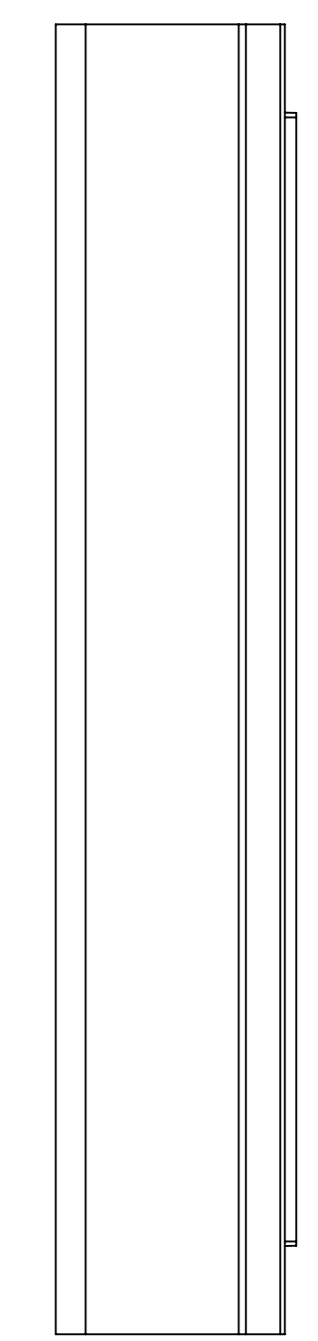


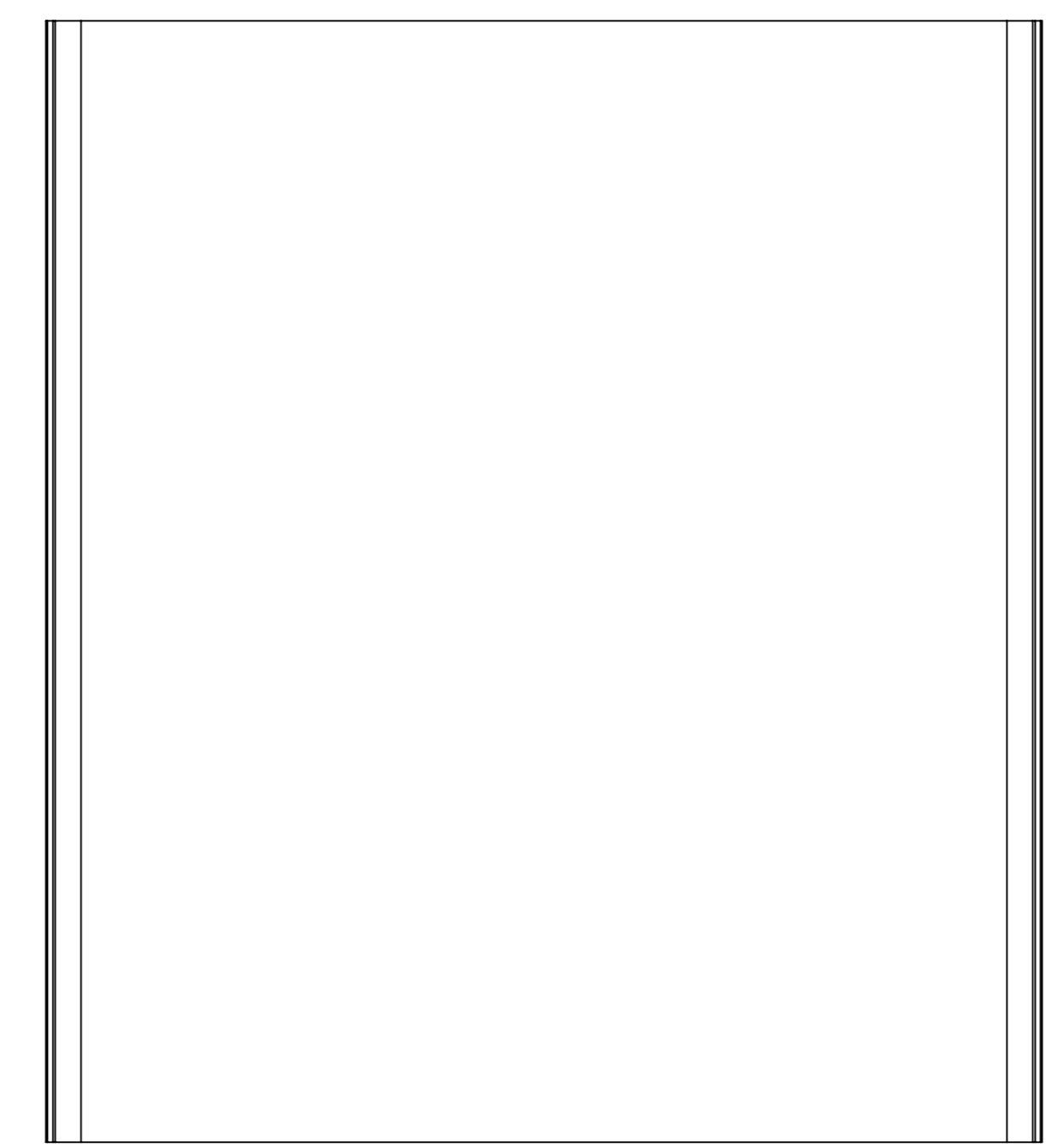
**BASE: 6 SURFACE**



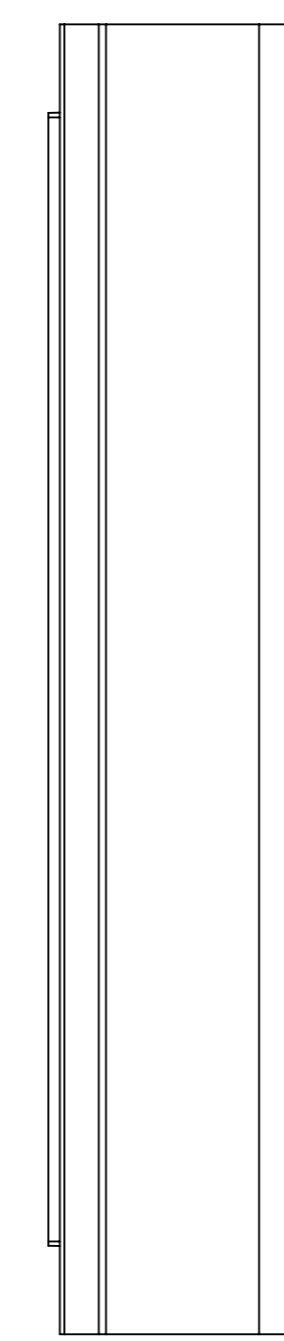
SURFACE-1



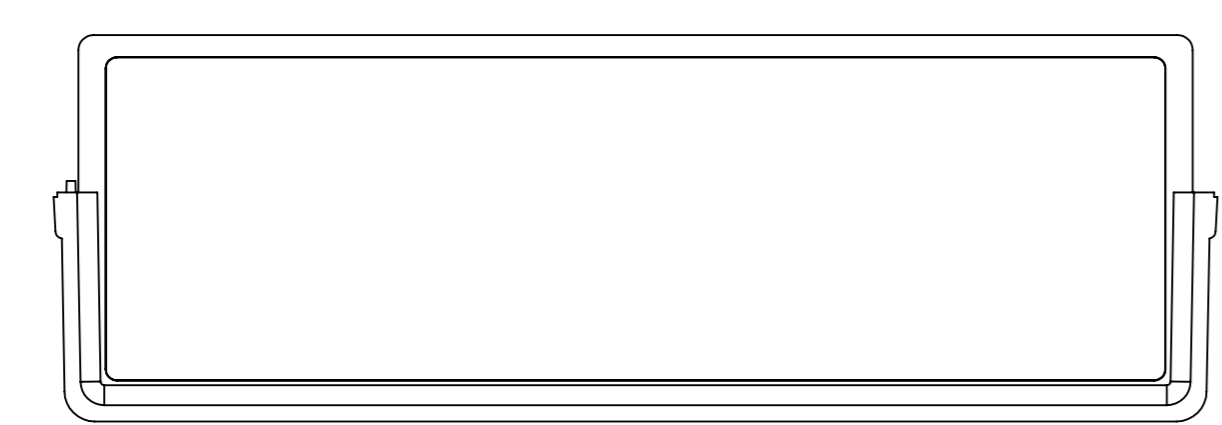
SURFACE-3



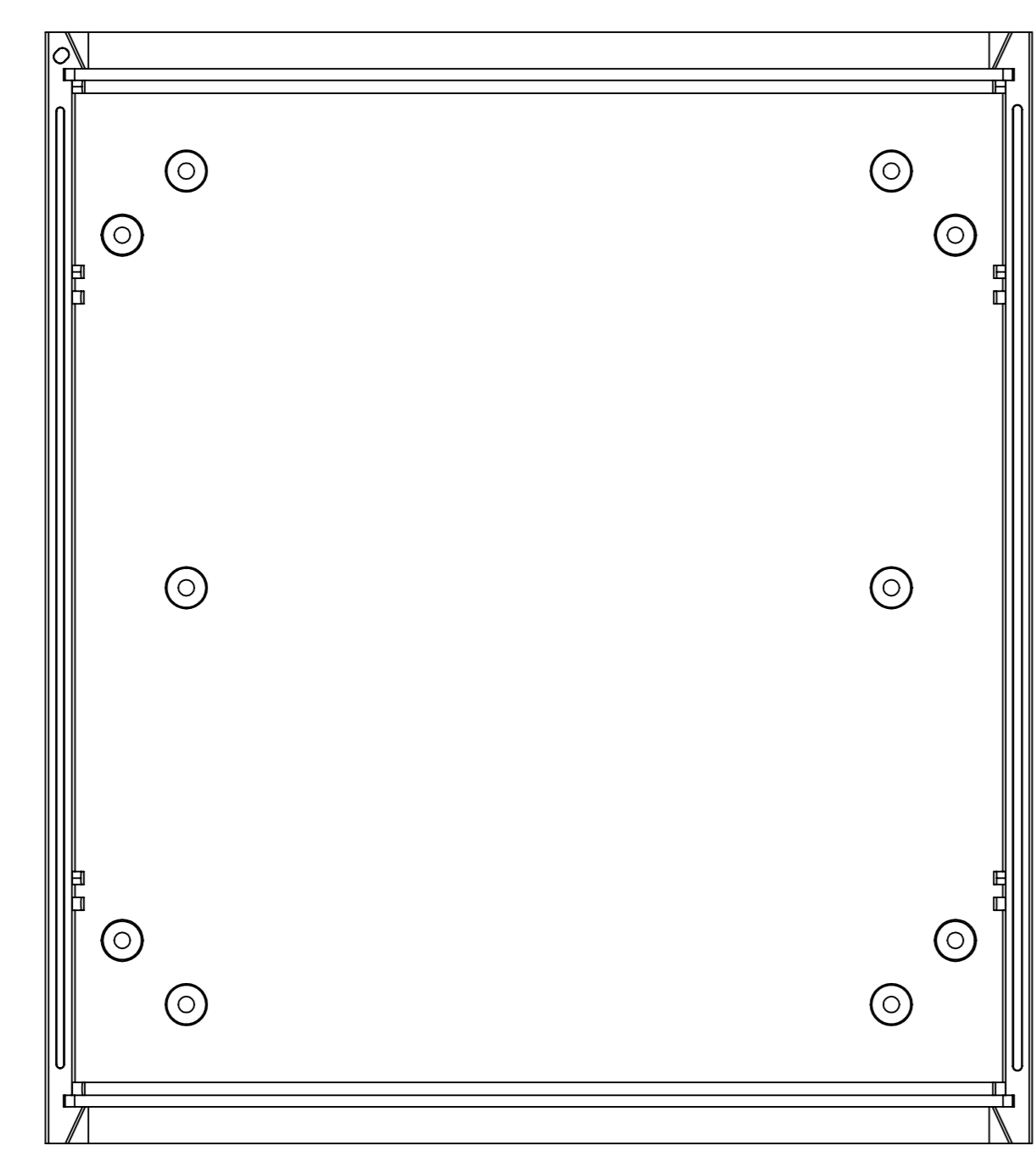
SURFACE-5



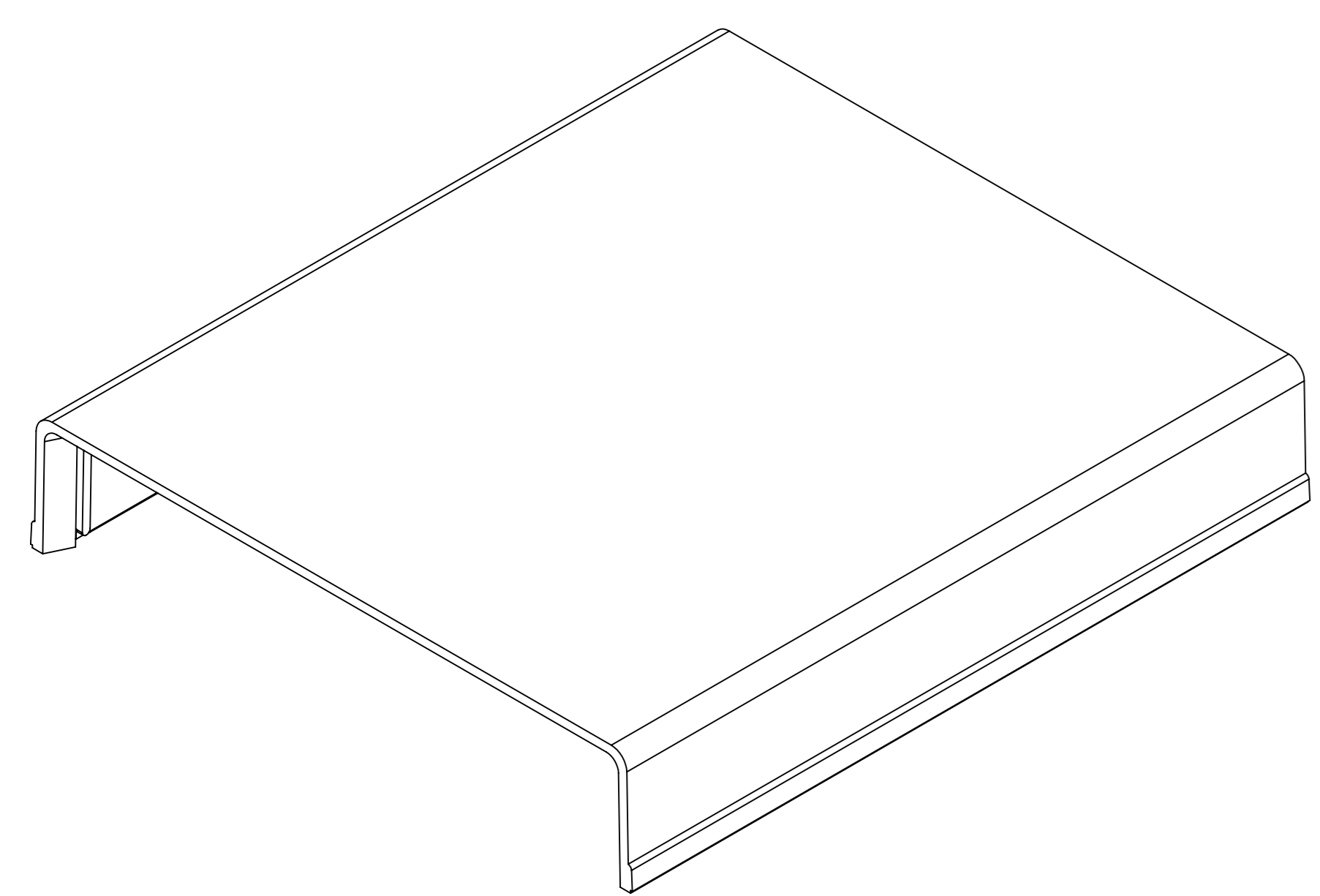
SURFACE-4



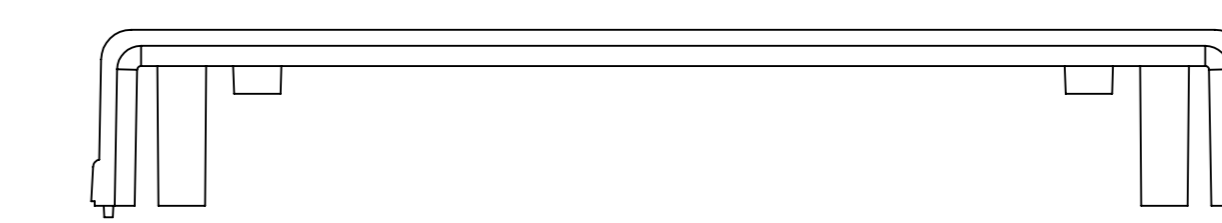
SURFACE-2



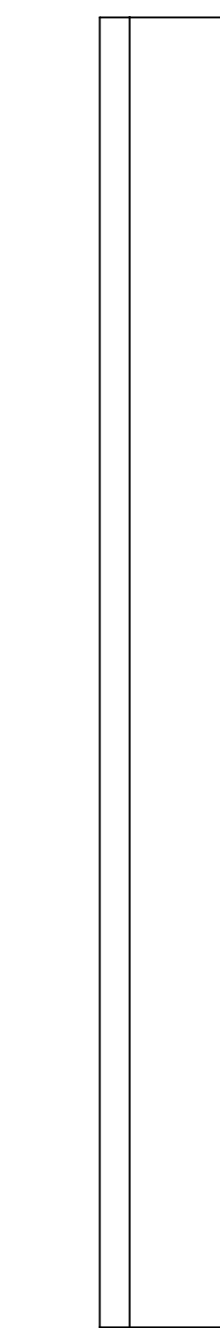
SURFACE-6 (INSIDE)



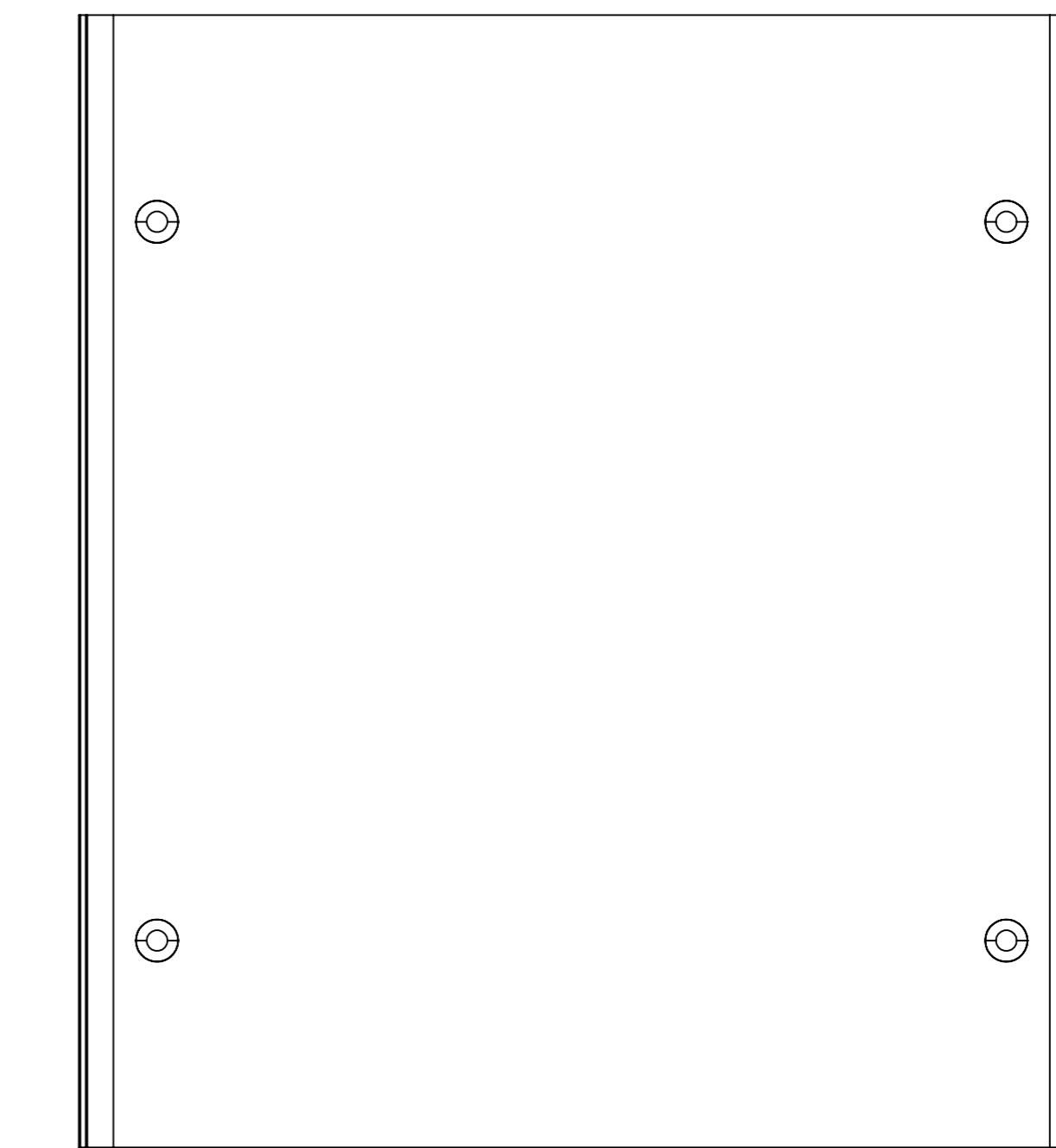
**COVER: 6 SURFACE**



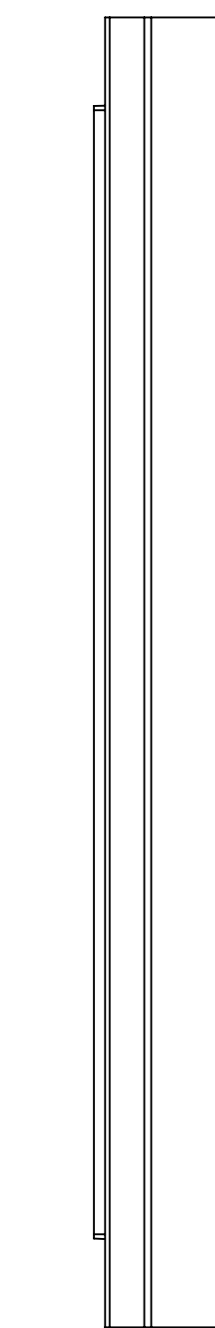
SURFACE-7



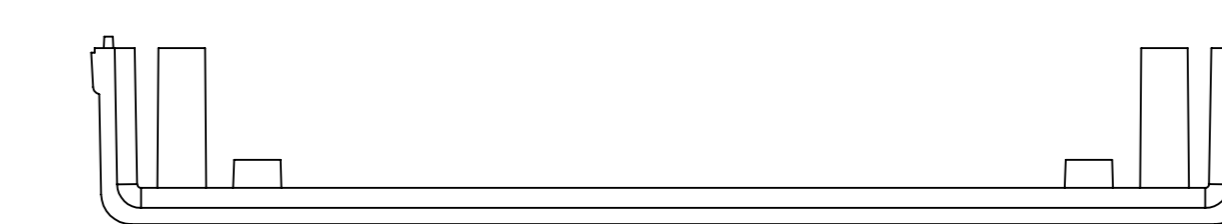
SURFACE-9



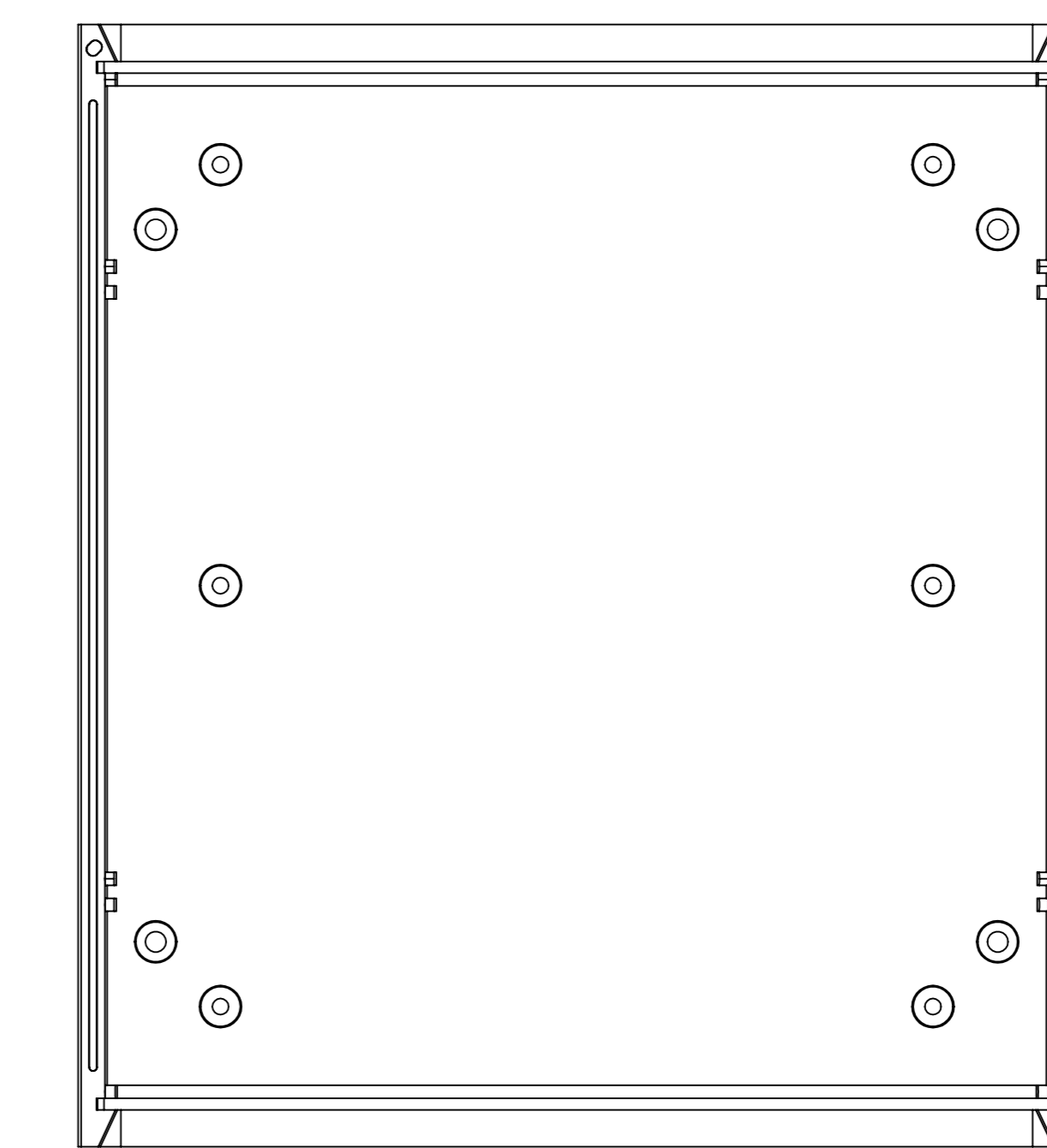
SURFACE-11



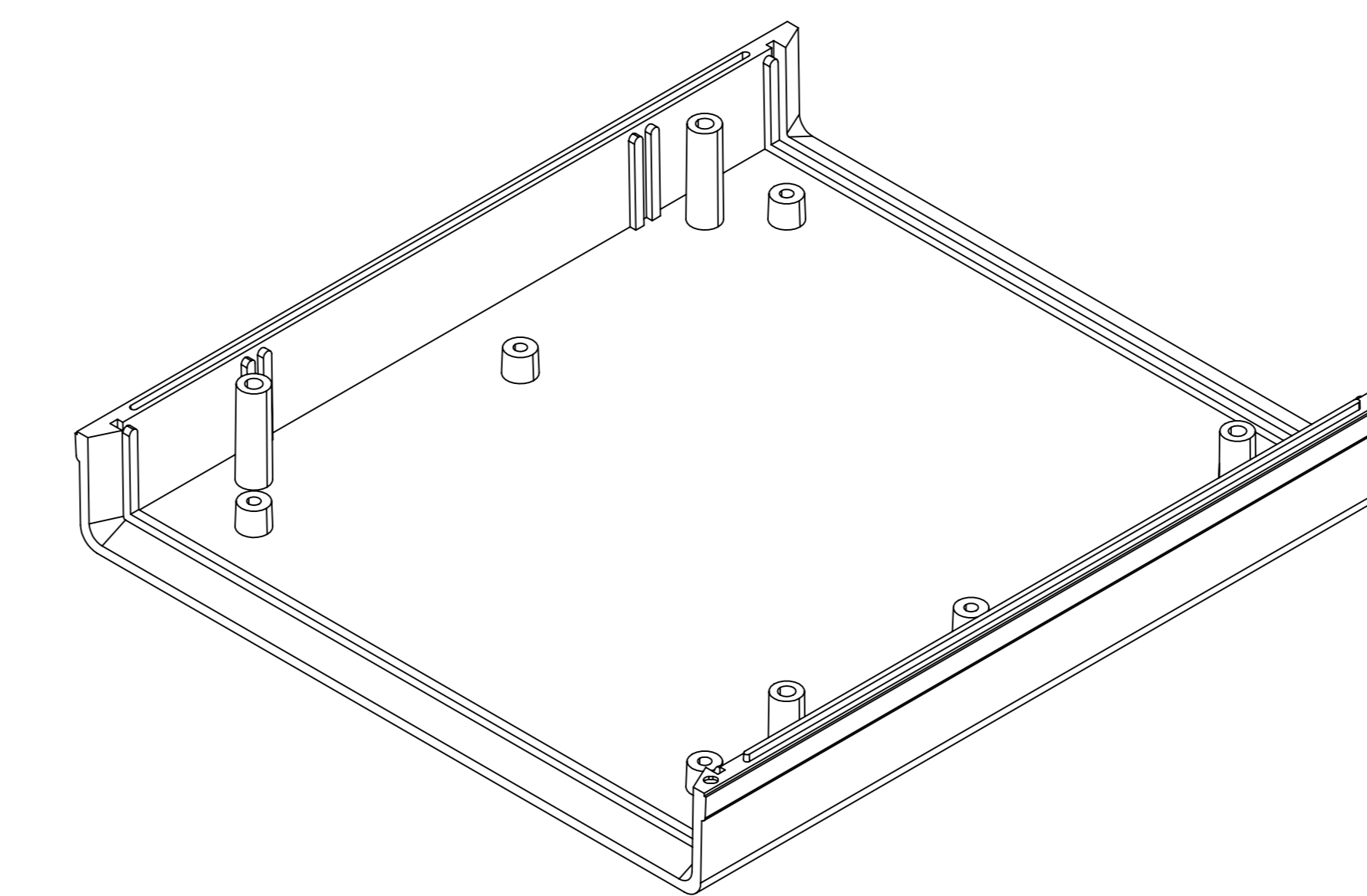
SURFACE-10



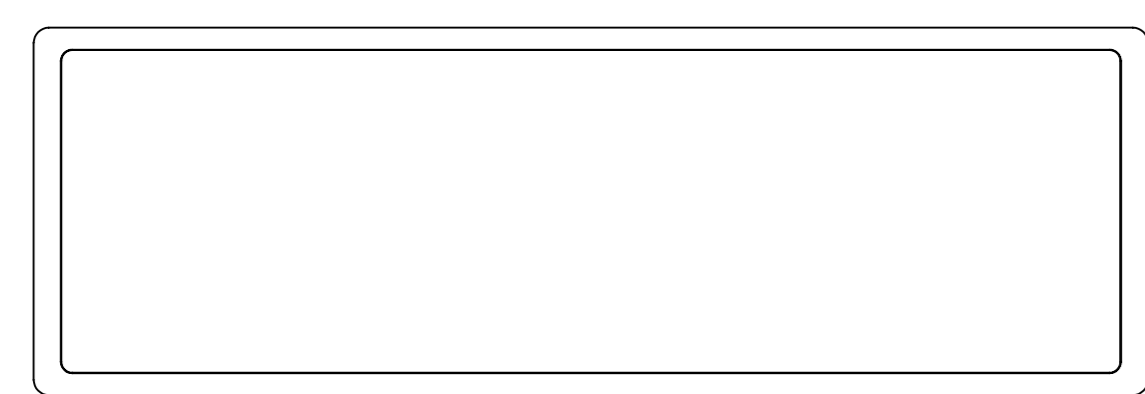
SURFACE-8



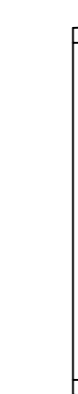
SURFACE-12 (INSIDE)



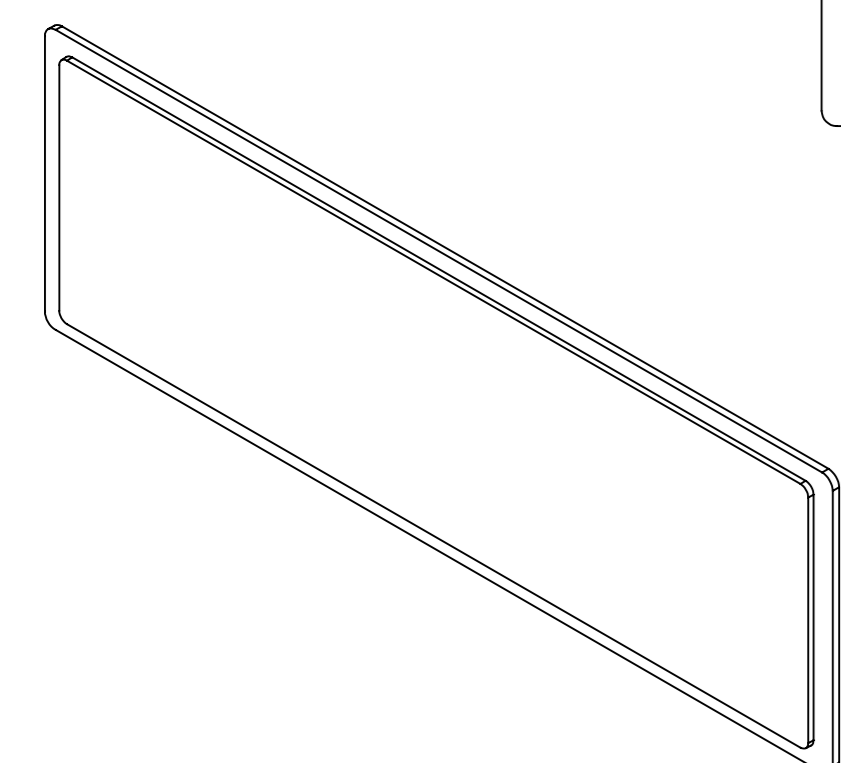
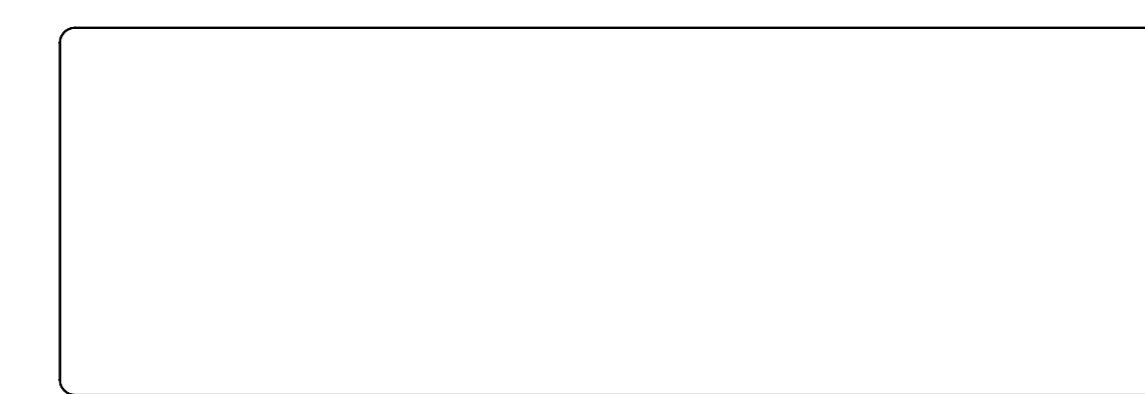
**PANEL-1: 2 SURFACE**



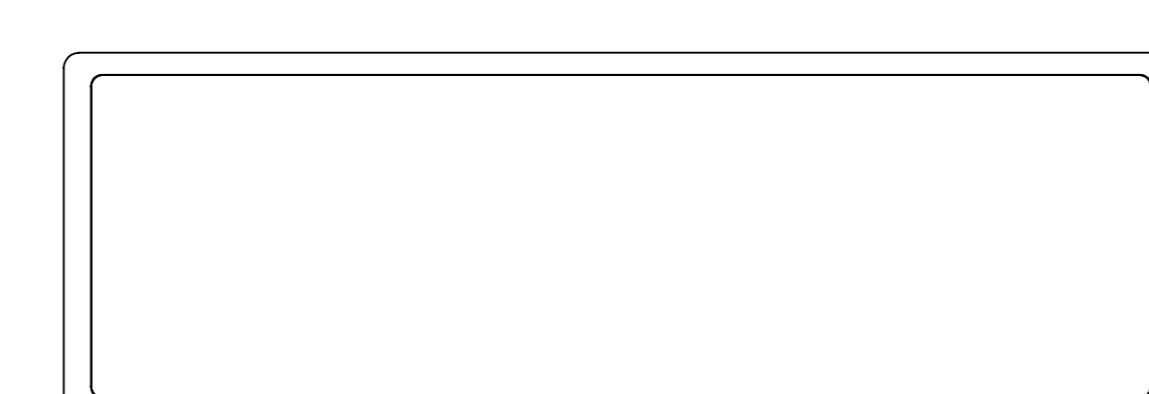
SURFACE-13



SURFACE-14



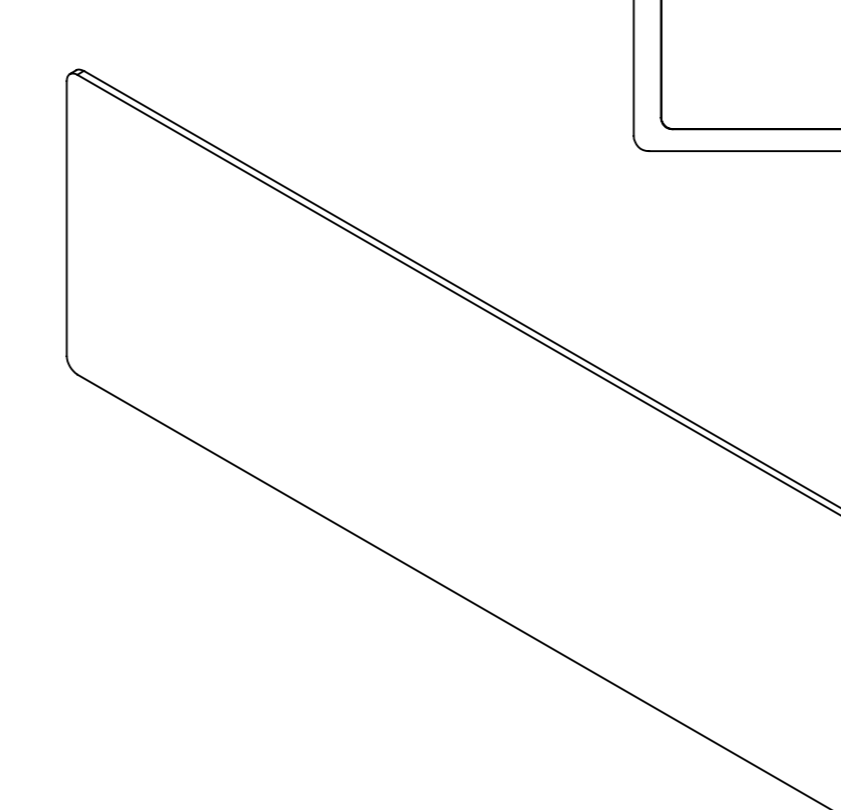
**PANEL-2: 2 SURFACE**



SURFACE-15

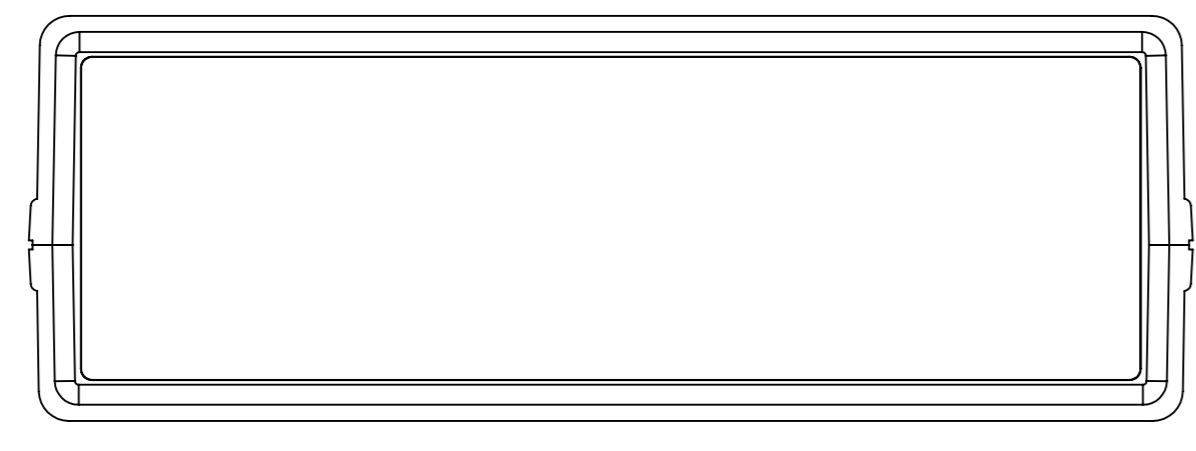


SURFACE-16

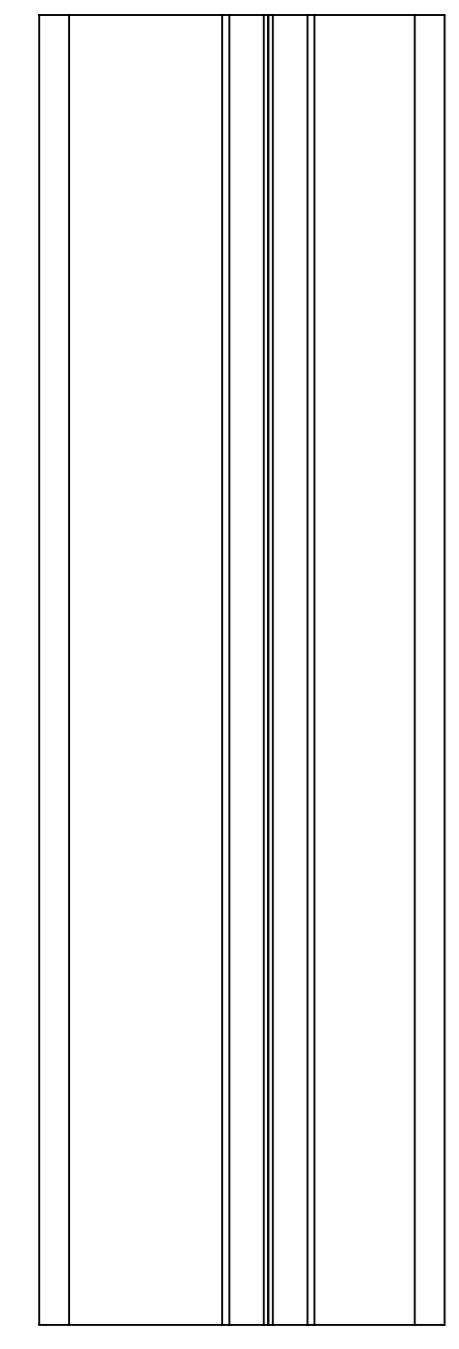


REV. NO	DATE	REVISED BY	DESCRIPTION OF CHANGE
 <b>ALTINKAYA</b> Electronic Enclosures & Components			
Customer Name :		Customer Ref. :	
Altinkaya Ref :		Part Name: DT-1020-0-0	
DRAWN	NAME	DATE	Drawn From:
CHECKED	Y.YEL	2.11.2024	Material:
DIMENSIONAL TOLERANCES UNLESS OTHERWISE SPECIFIED (DIN7168)			Weight:
0.5-3mm	3-6mm	6-30mm	30-120mm
±0,1	±0,1	±0,2	±0,3
			120-400mm
			±0,5
			UNIT: mm
			Dimension(mm)
			m (medium)

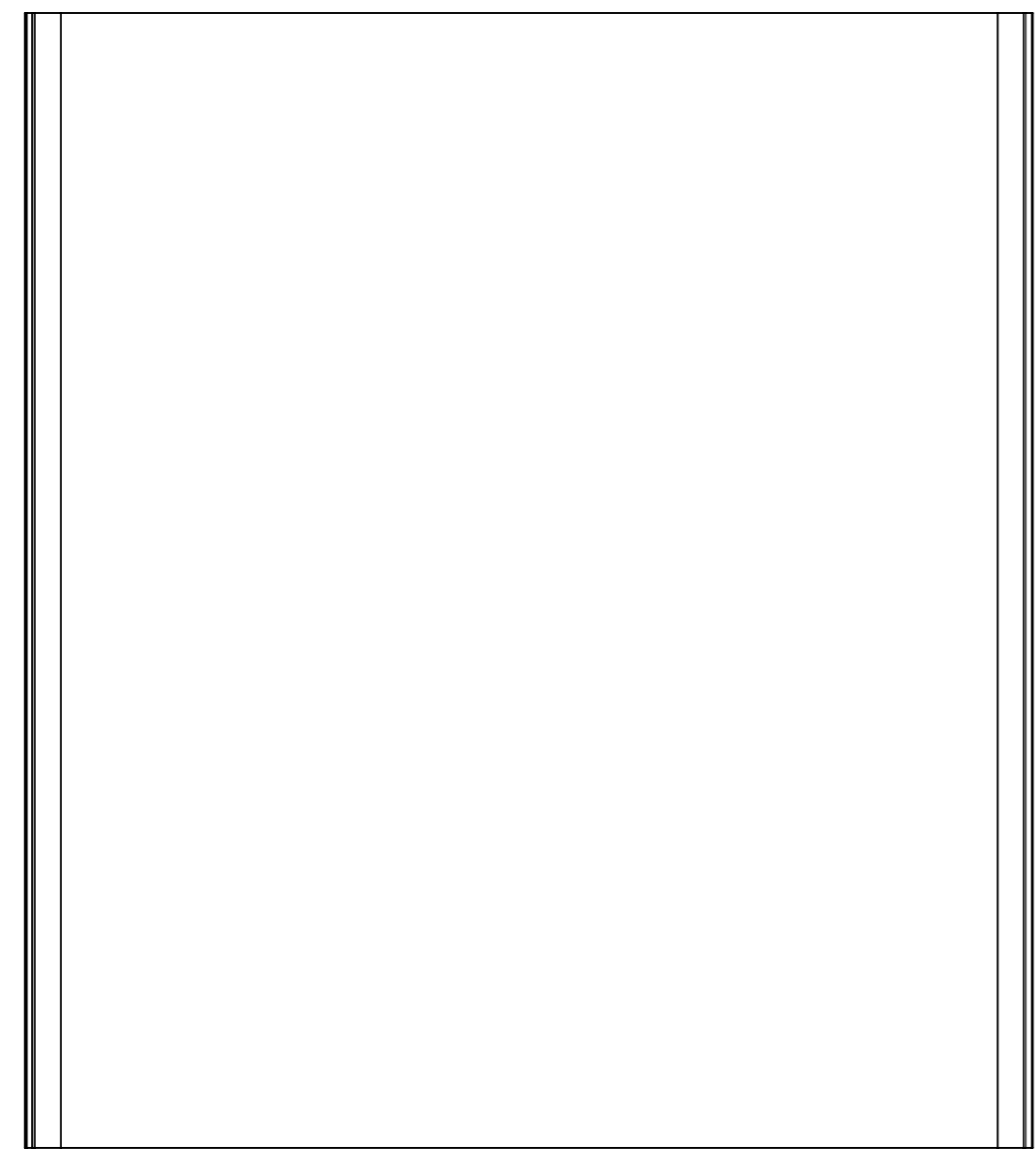
**DT-1020 IF MACHINED TOGETHER**



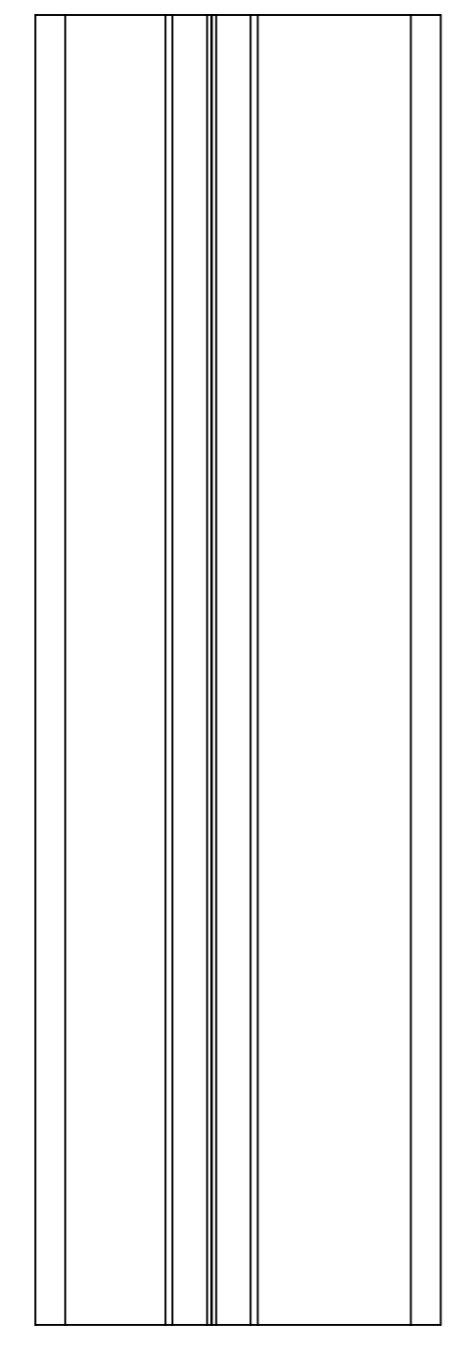
SURFACE-17



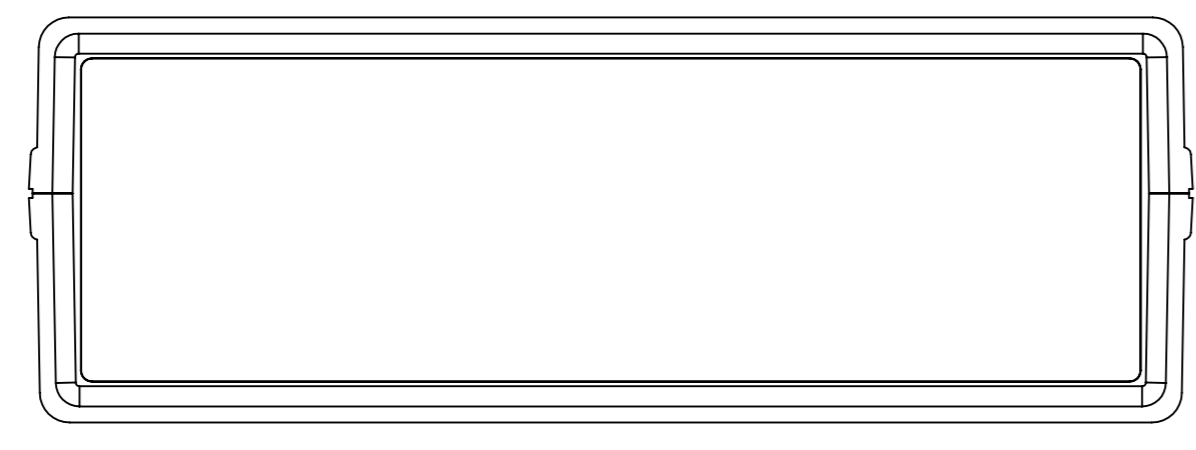
SURFACE-19



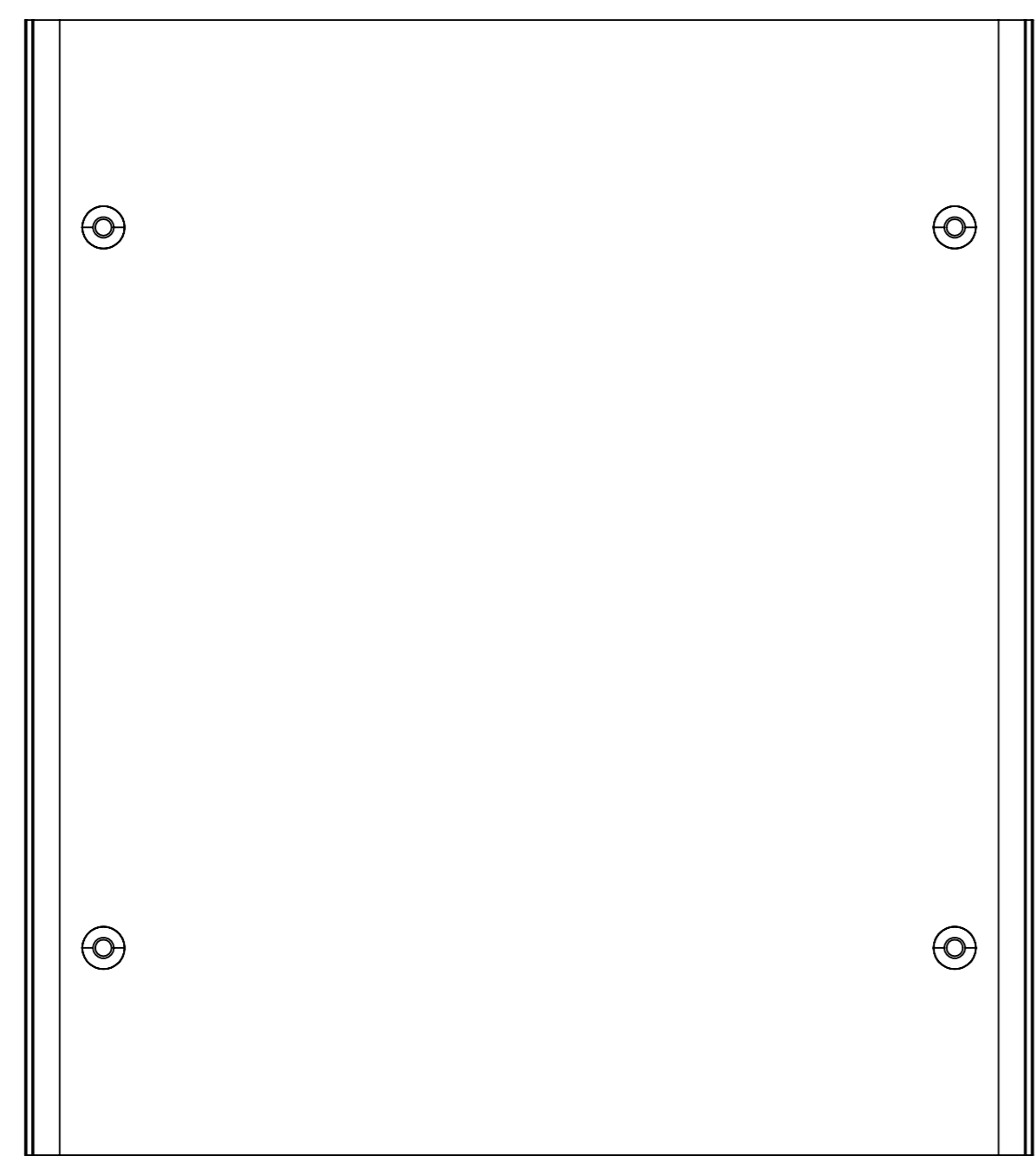
SURFACE-21



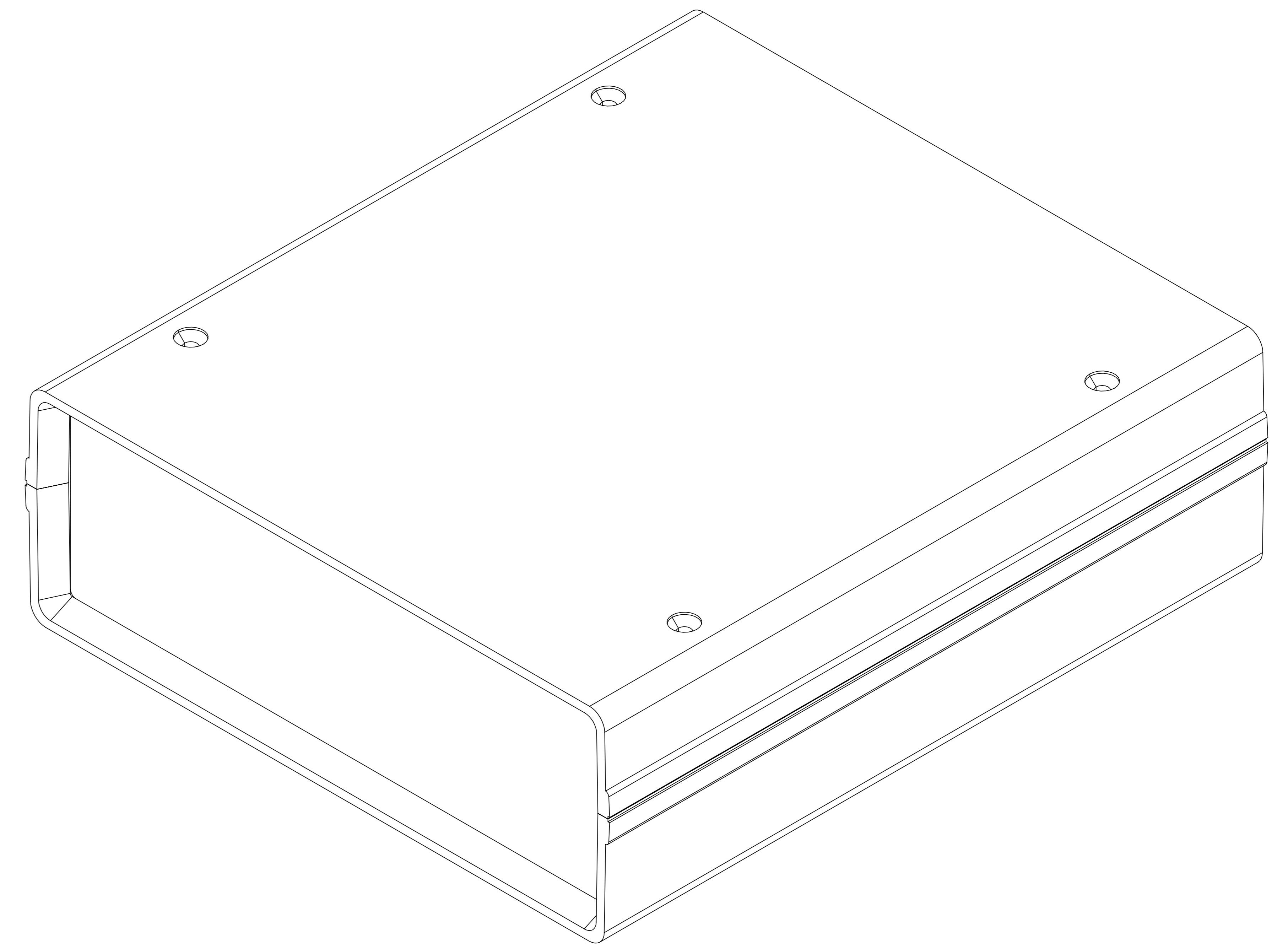
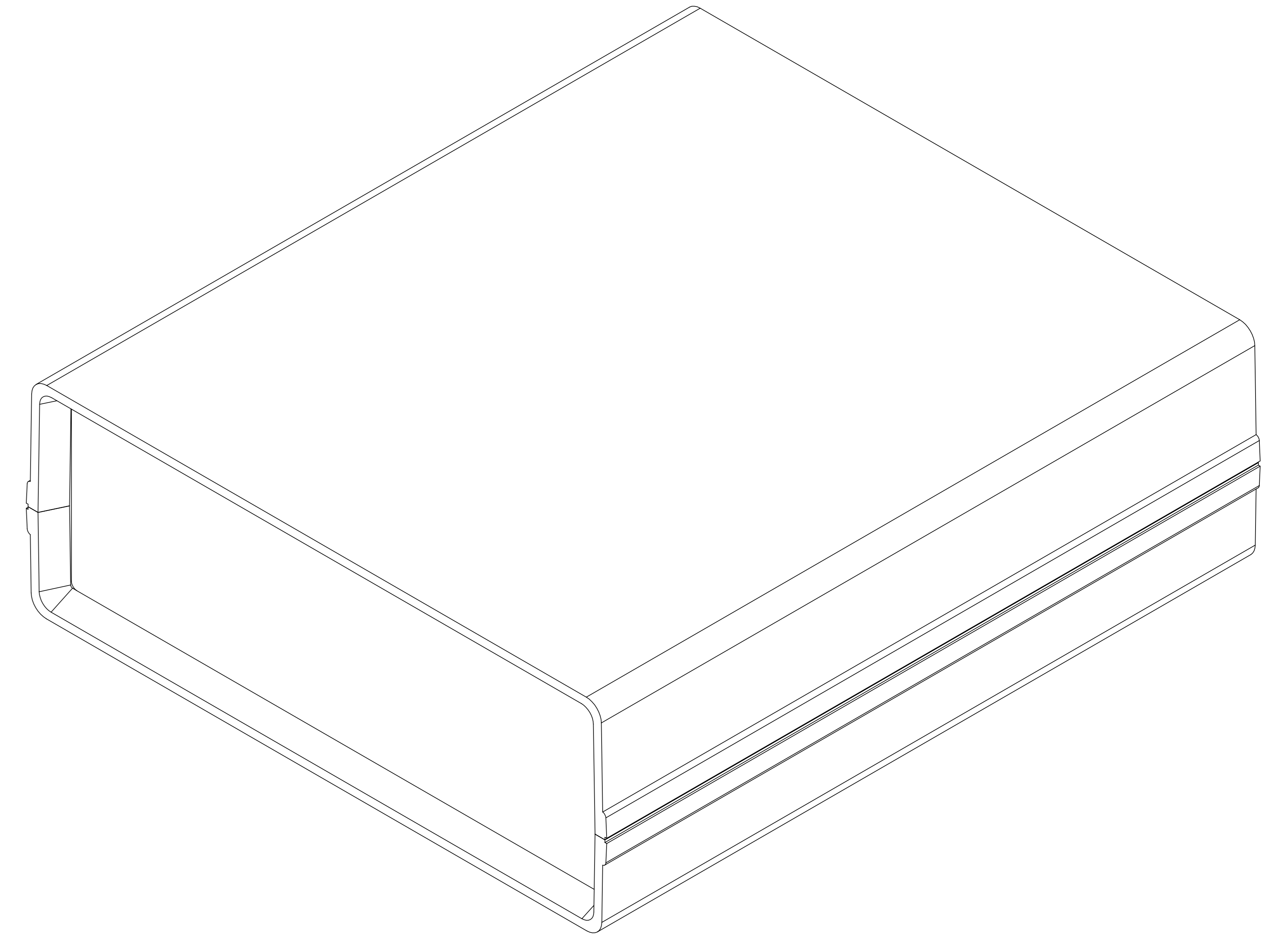
SURFACE-20




SURFACE-18



SURFACE-22



REV. NO	DATE	REVISED BY	DESCRIPTION OF CHANGE
			 <b>ALTINKAYA</b> Electronic Enclosures & Components
Customer Name :		Customer Ref. :	
Altinkaya Ref :		Part Name: DT-1020-0-0	
	NAME	DATE	Drawn From:
DRAWN	S.YESILOZ	2.11.2024	Material:
CHECKED	Y.YEL	2.11.2024	Weight:
DIMENSIONAL TOLERANCES UNLESS OTHERWISE SPECIFIED (DIN7168)			UNIT: mm
	0.5-3mm	3-6mm	6-30mm
	±0,1	±0,1	±0,2
			±0,3
			±0,5
			Dimension(mm)
			m (medium)

S1