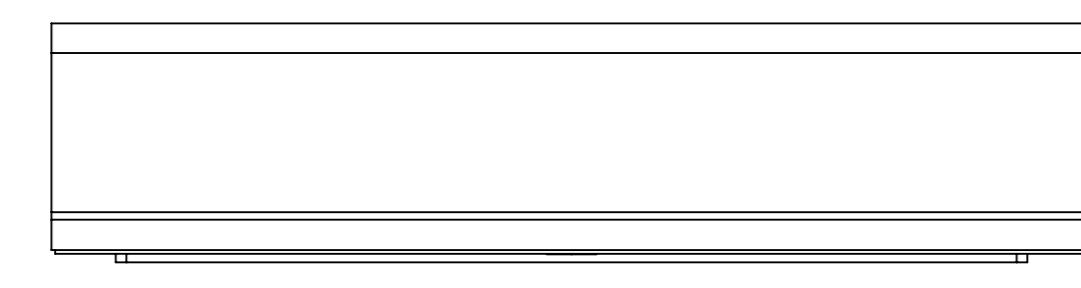
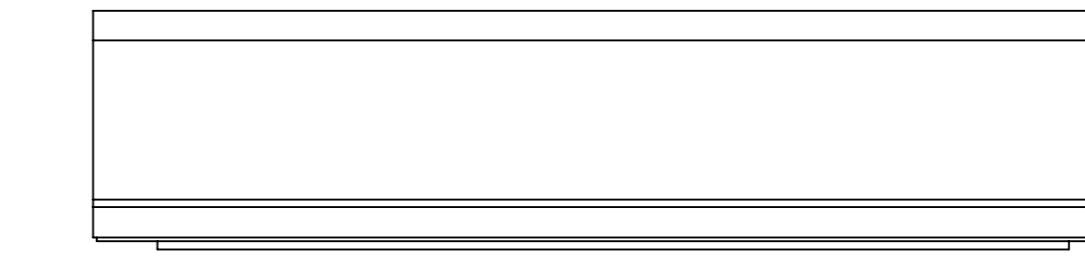


BASE: 6 SURFACE

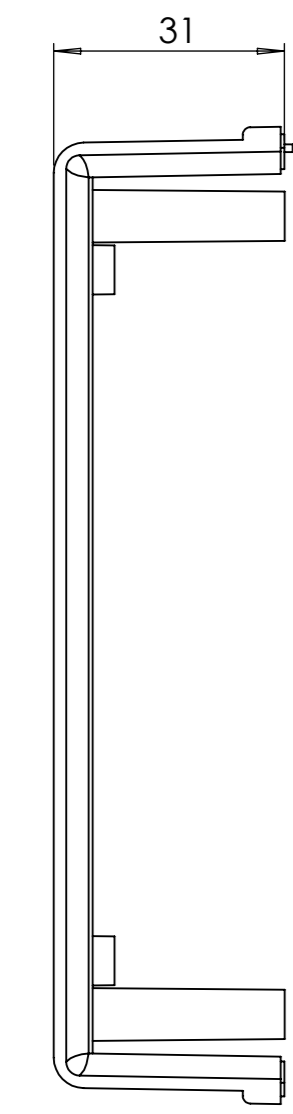
COVER: 6 SURFACE



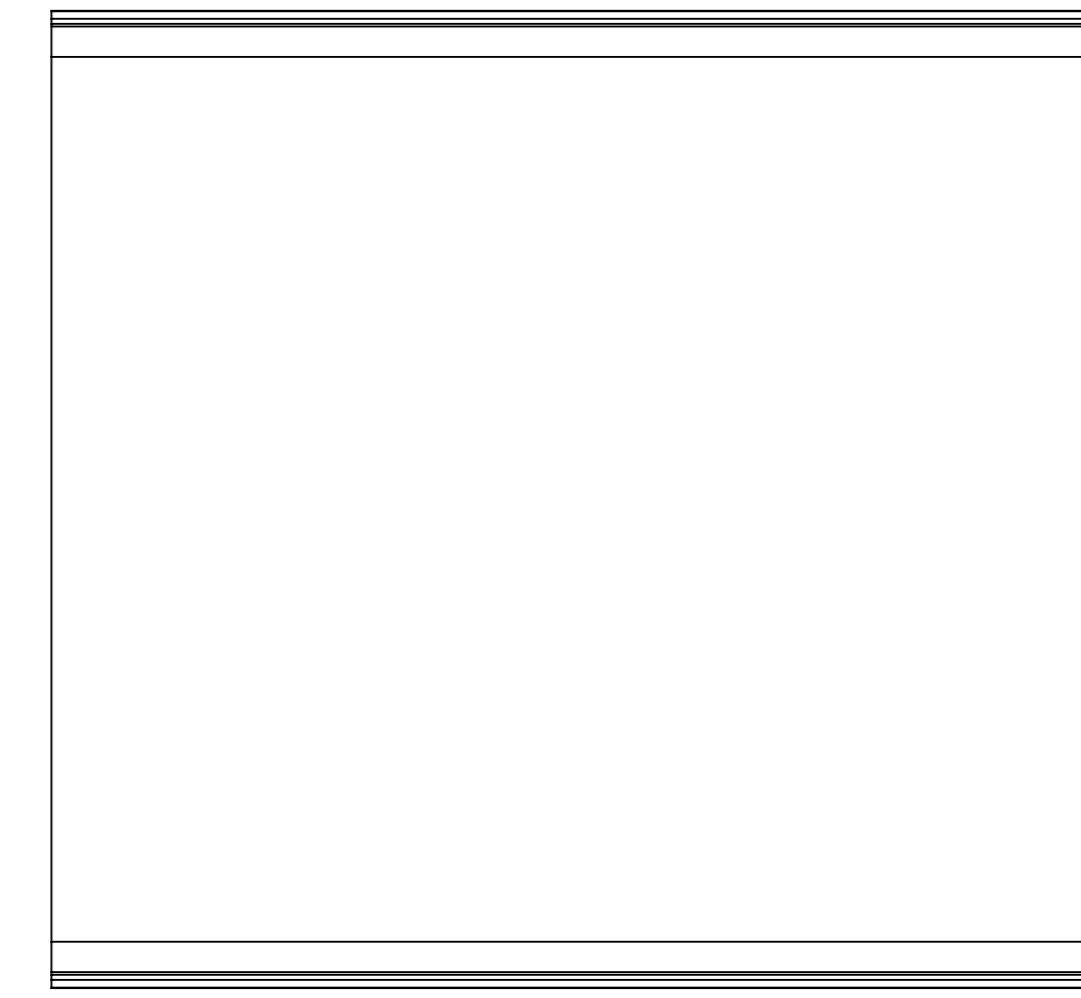
SURFACE-1



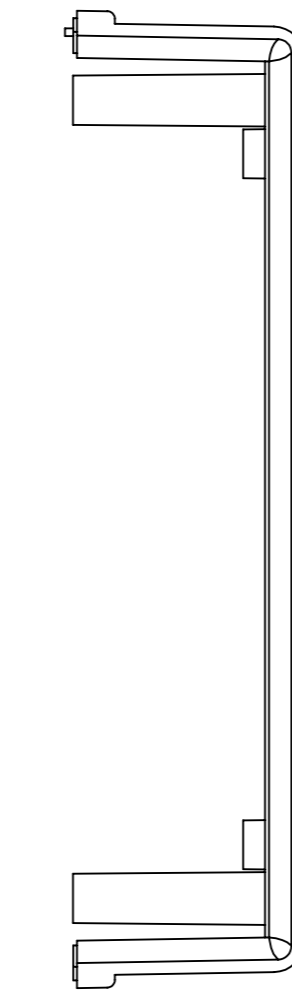
SURFACE-7



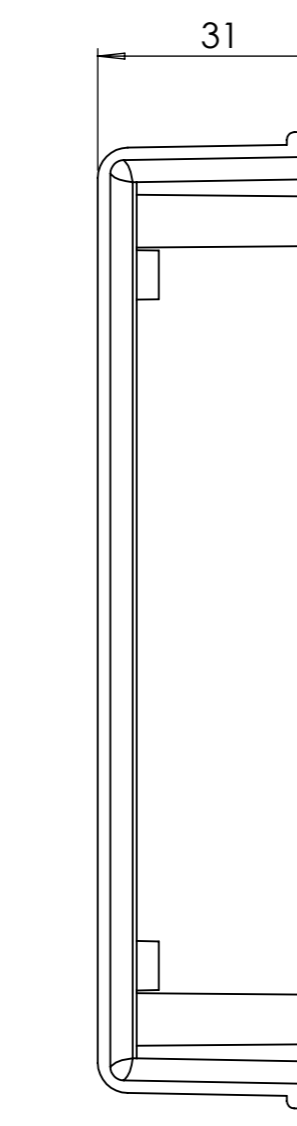
SURFACE-3



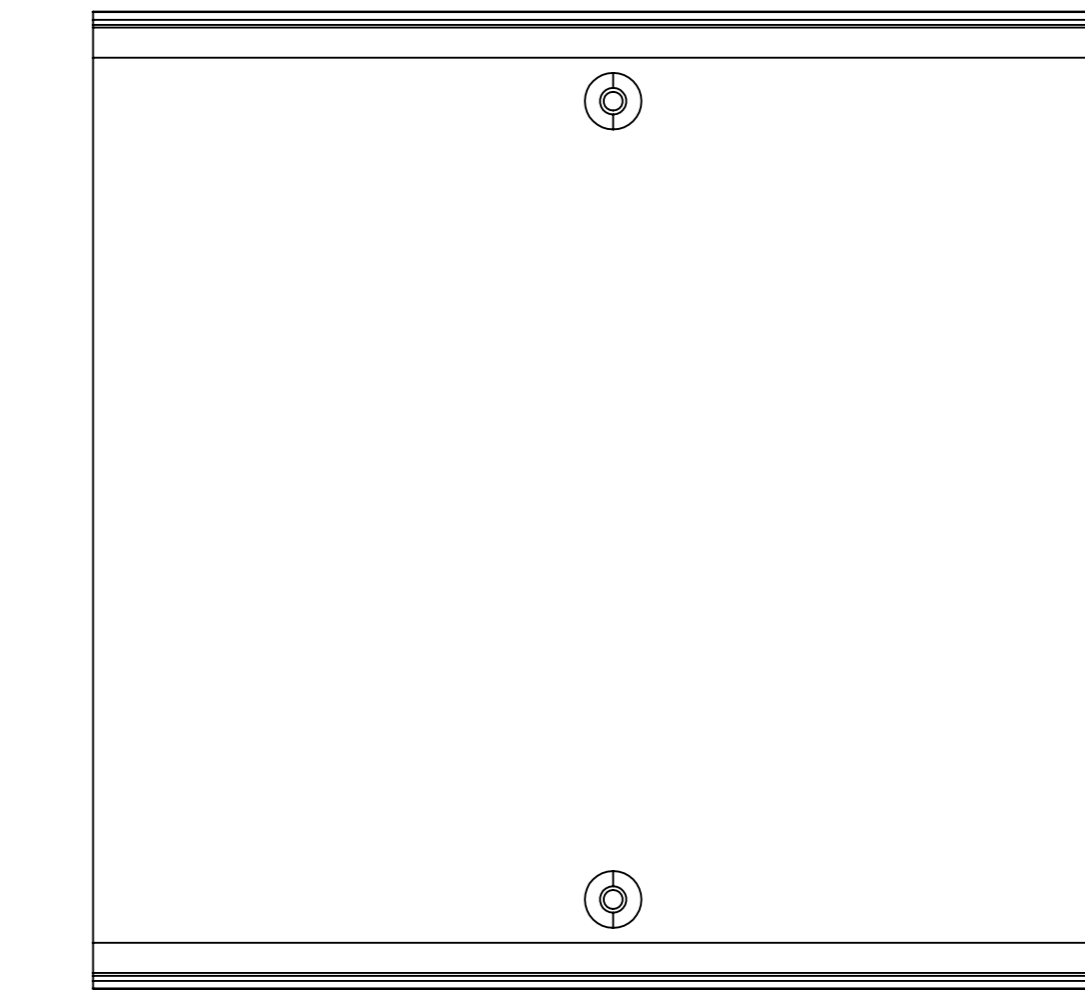
SURFACE-5



SURFACE-4



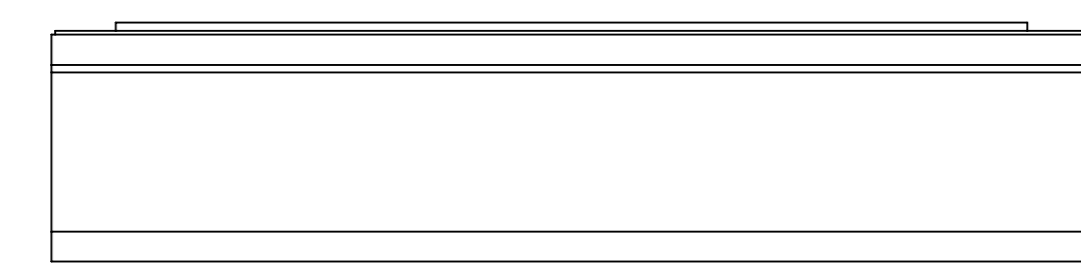
SURFACE-9



SURFACE-11



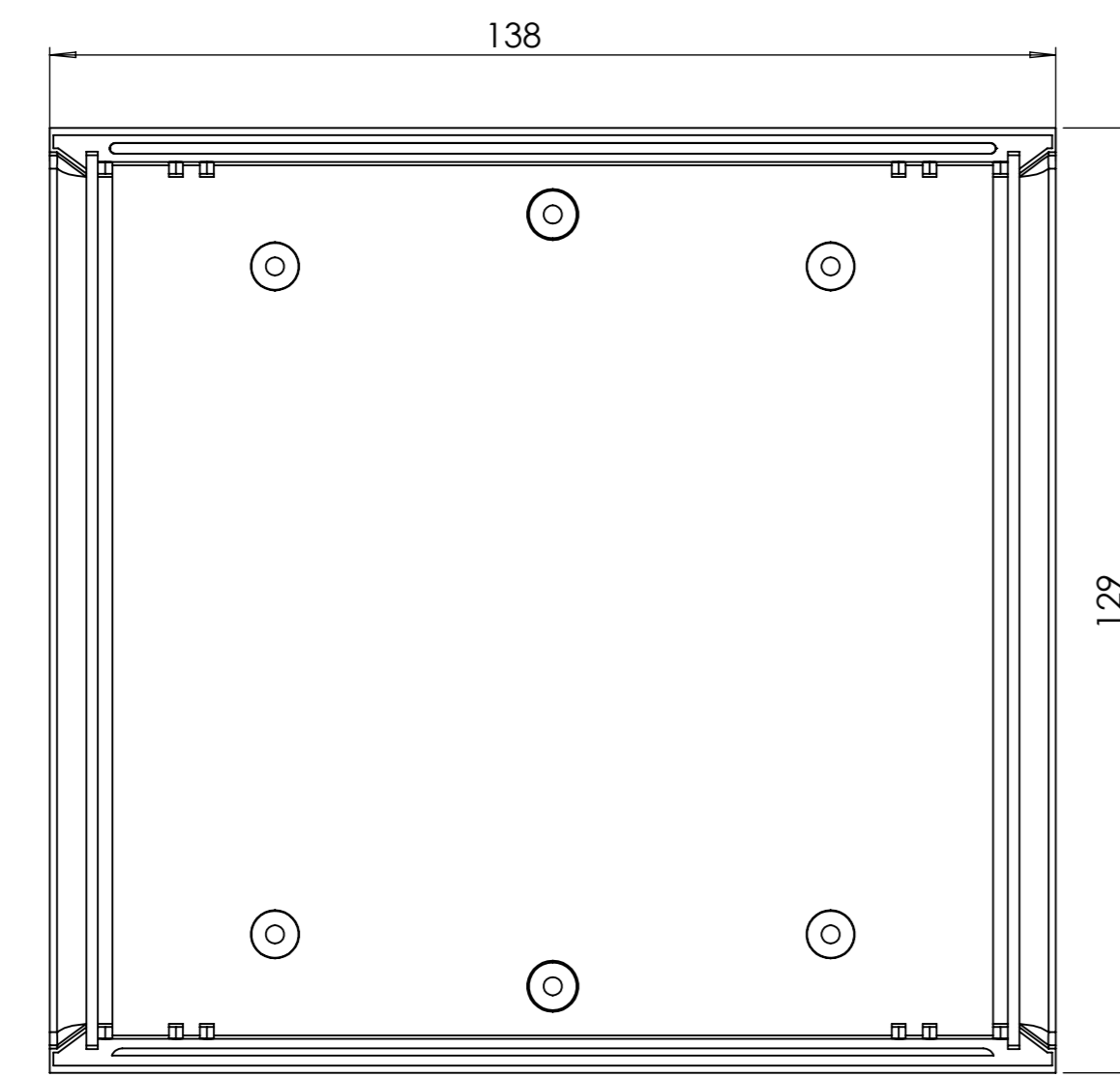
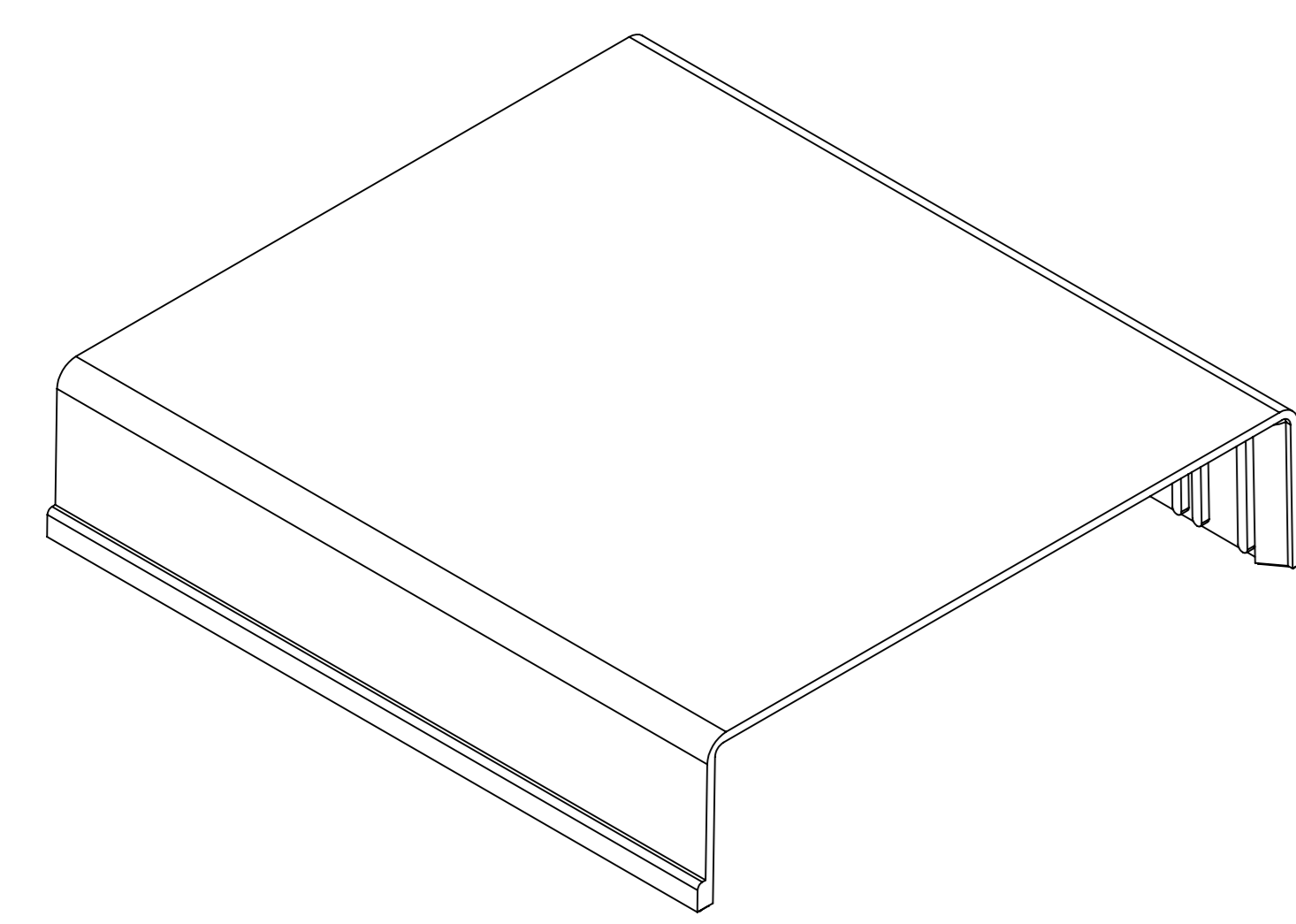
SURFACE-10



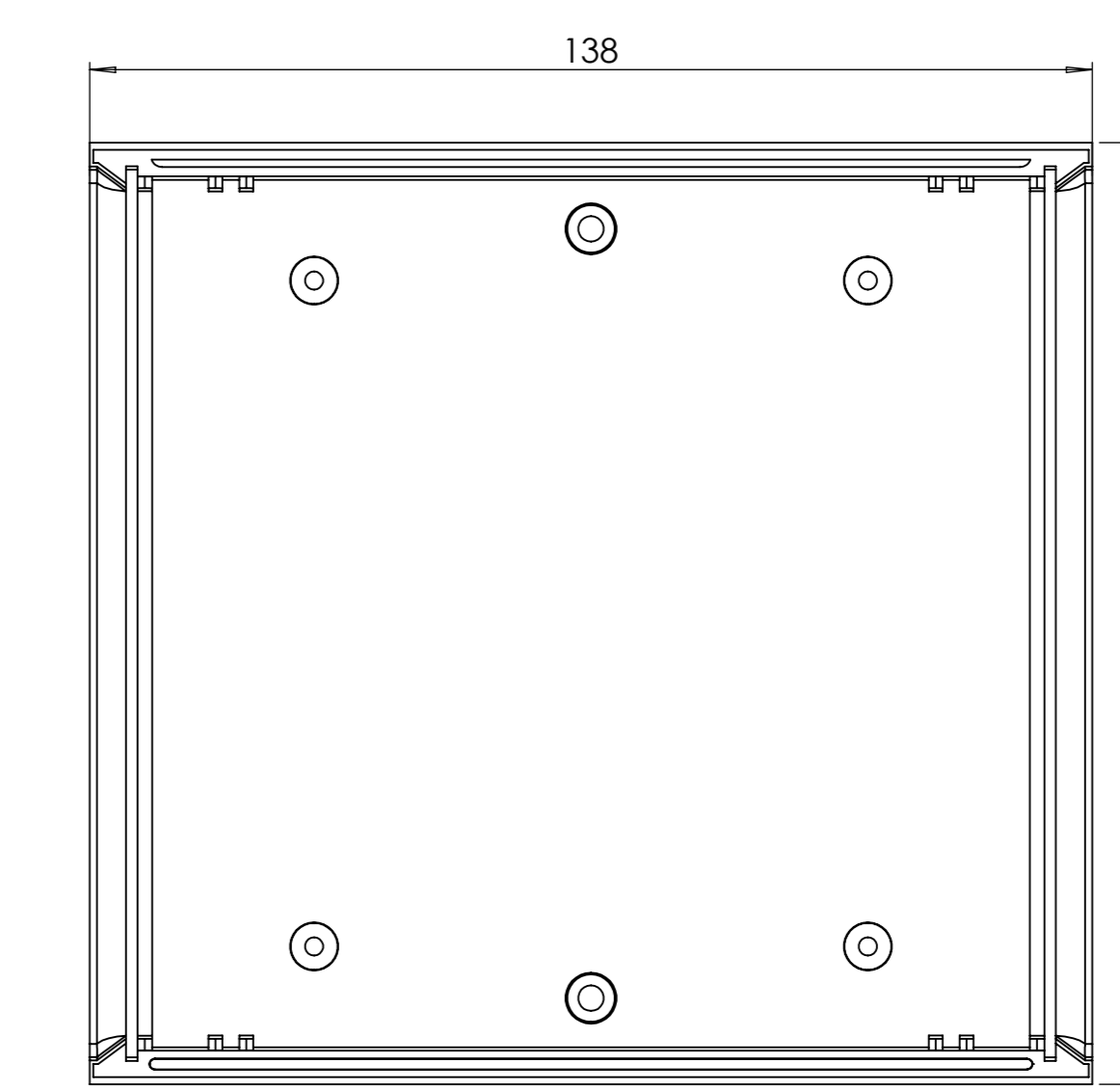
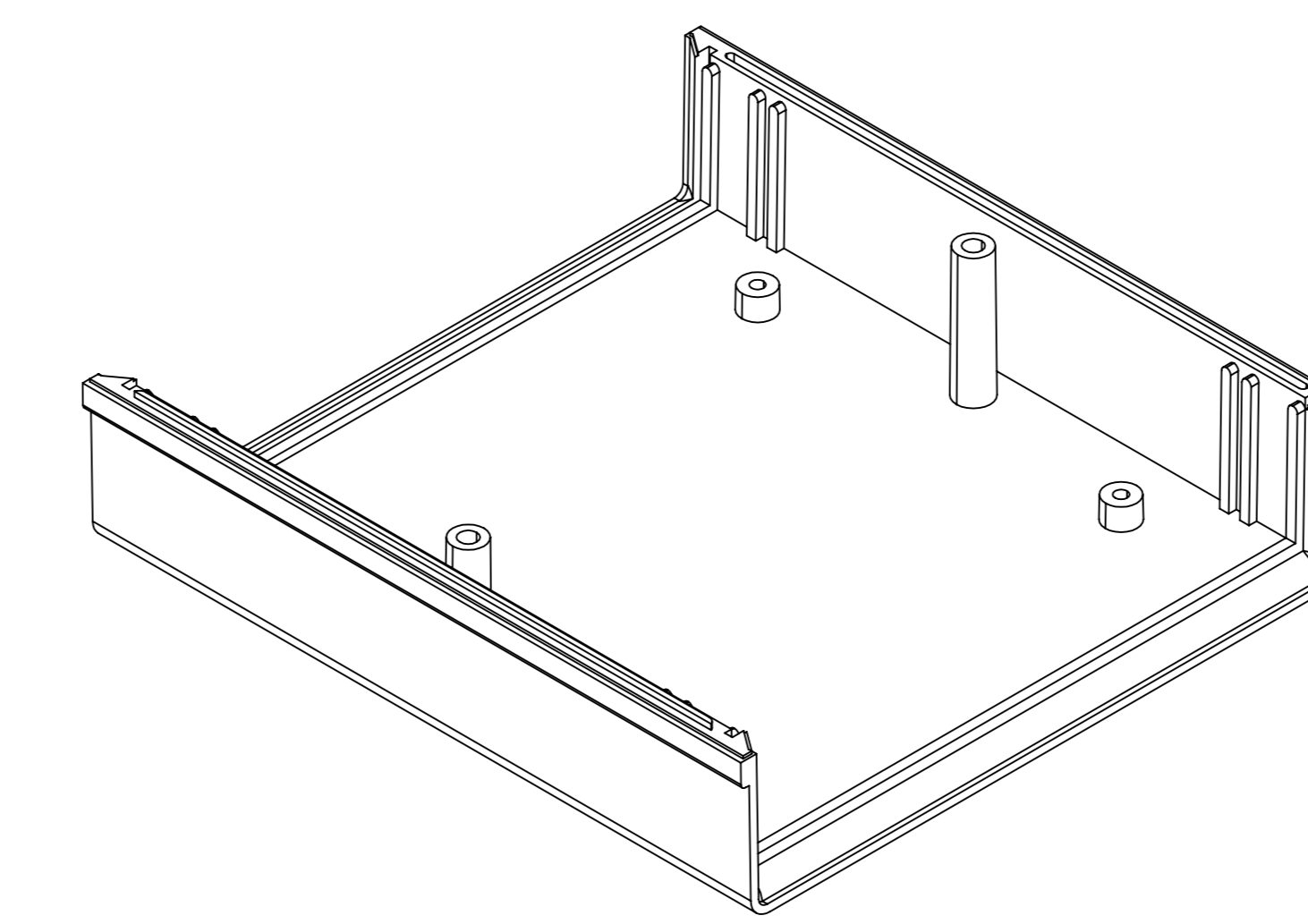
SURFACE-2



SURFACE-8



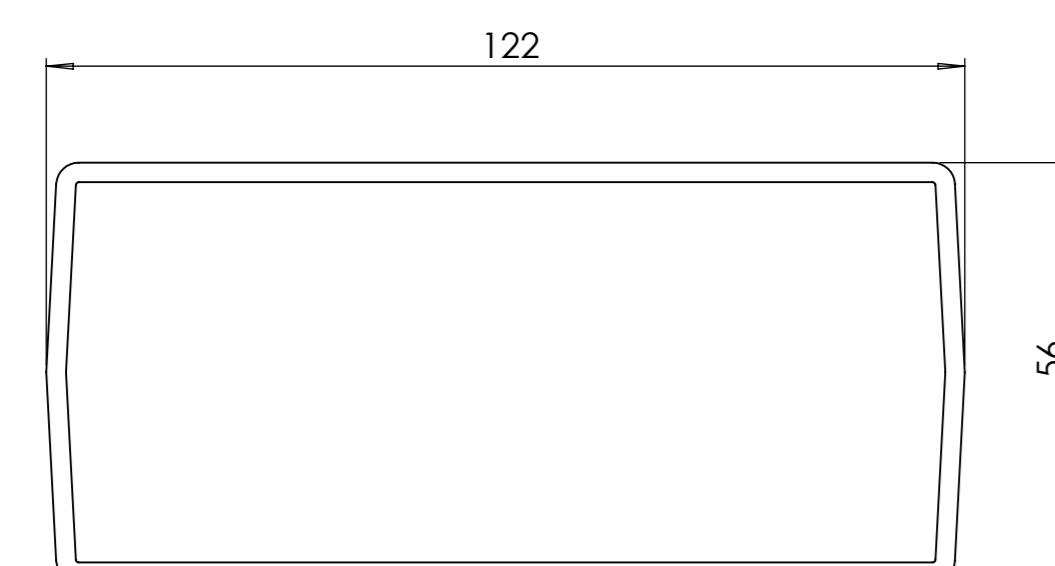
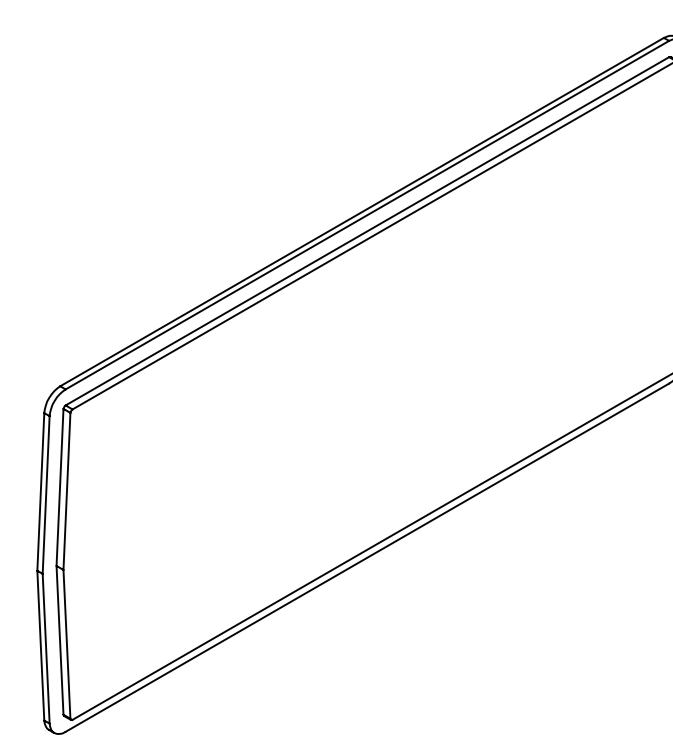
SURFACE-6 (INSIDE)



SURFACE-12 (INSIDE)

PANEL-1: 2 SURFACE

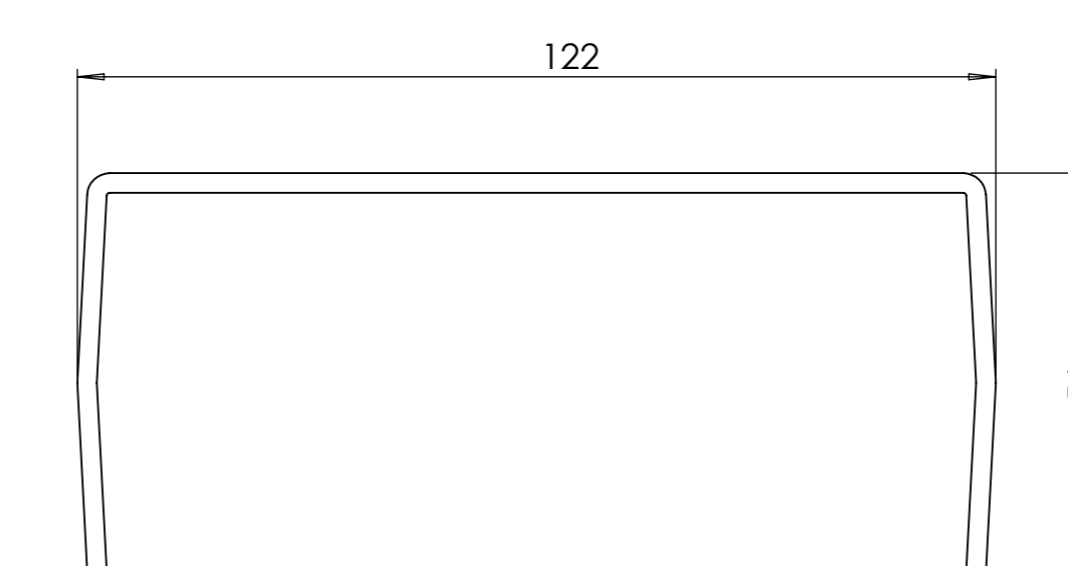
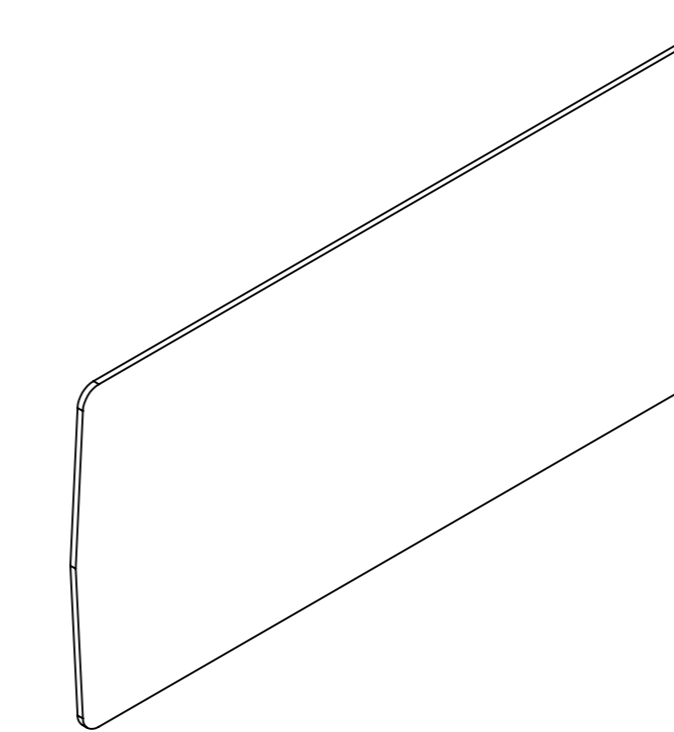
PANEL-2: 2 SURFACE



SURFACE-13




SURFACE-14



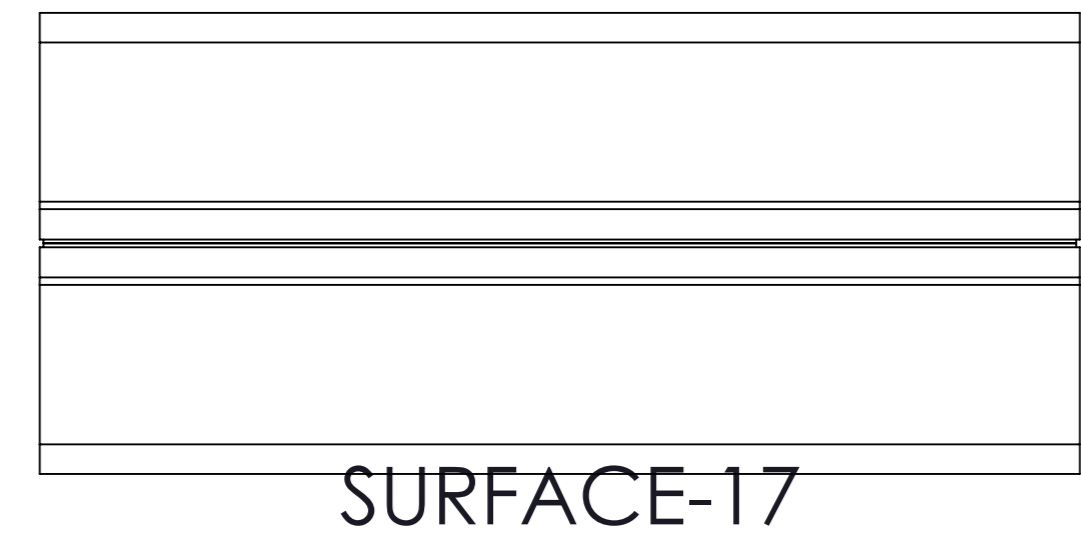
SURFACE-15



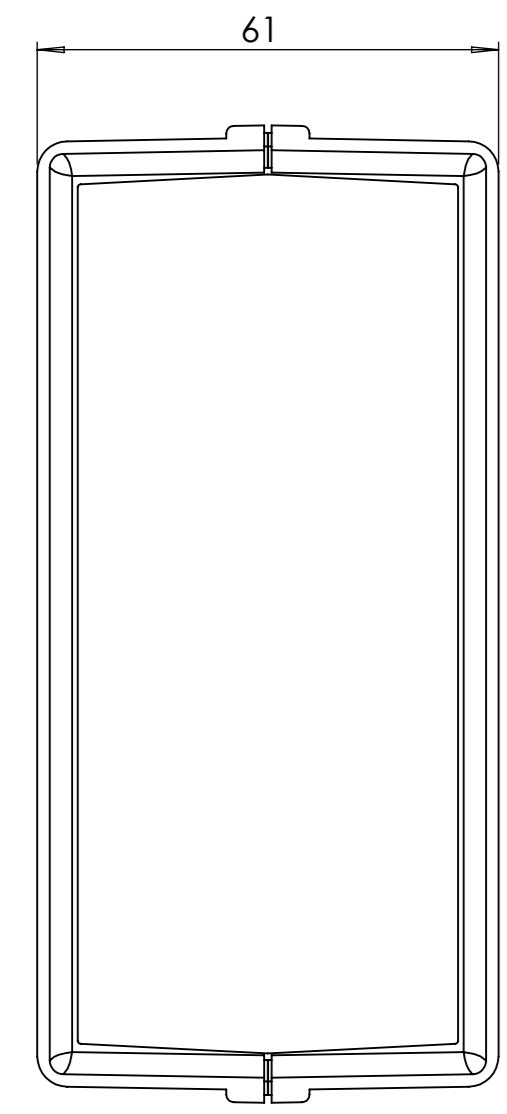
SURFACE-16

REV. NO	DATE	REVISED BY	DESCRIPTION OF CHANGE
 ALTINKAYA Electronic Enclosures & Components			
Customer Name :		Customer Ref. :	
Altinkaya Ref :		Part Name: DT-0808	
DRAWN	NAME	DATE	Drawn From:
CHECKED	Y.YEL	15.10.2024	Material:
DIMENSIONAL TOLERANCES UNLESS OTHERWISE SPECIFIED (DIN7168)			Weight:
			UNIT: mm
			Dimension(mm)
			m (medium)

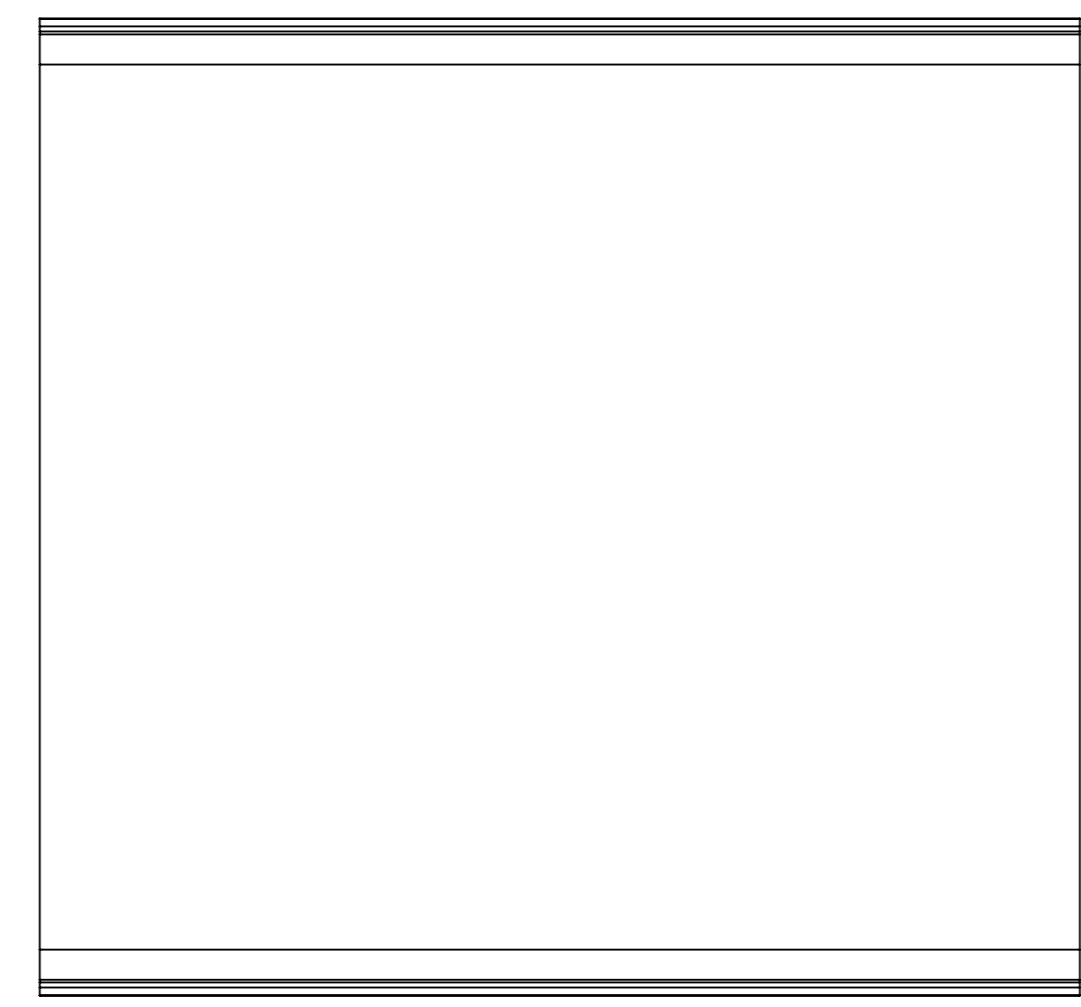
DT-0808 IF MACHINED TOGETHER



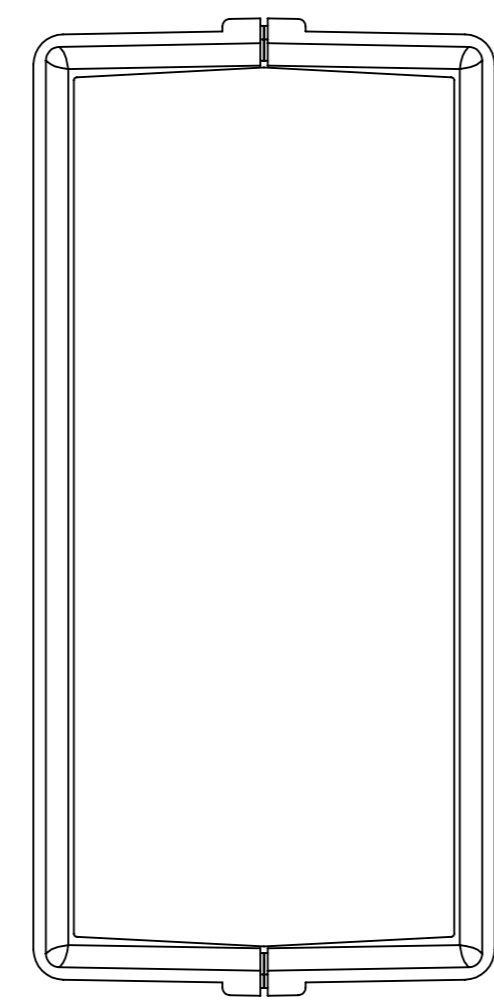
SURFACE-17



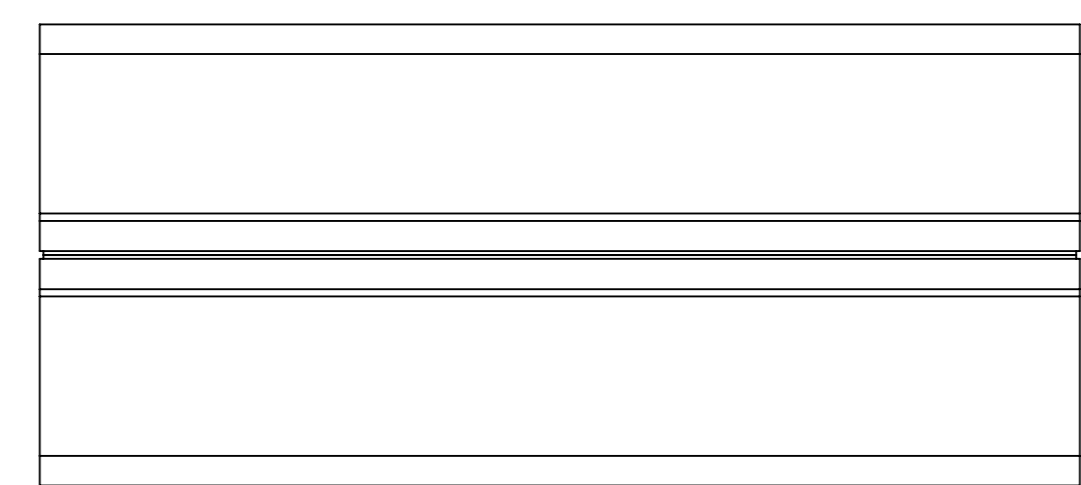
SURFACE-19



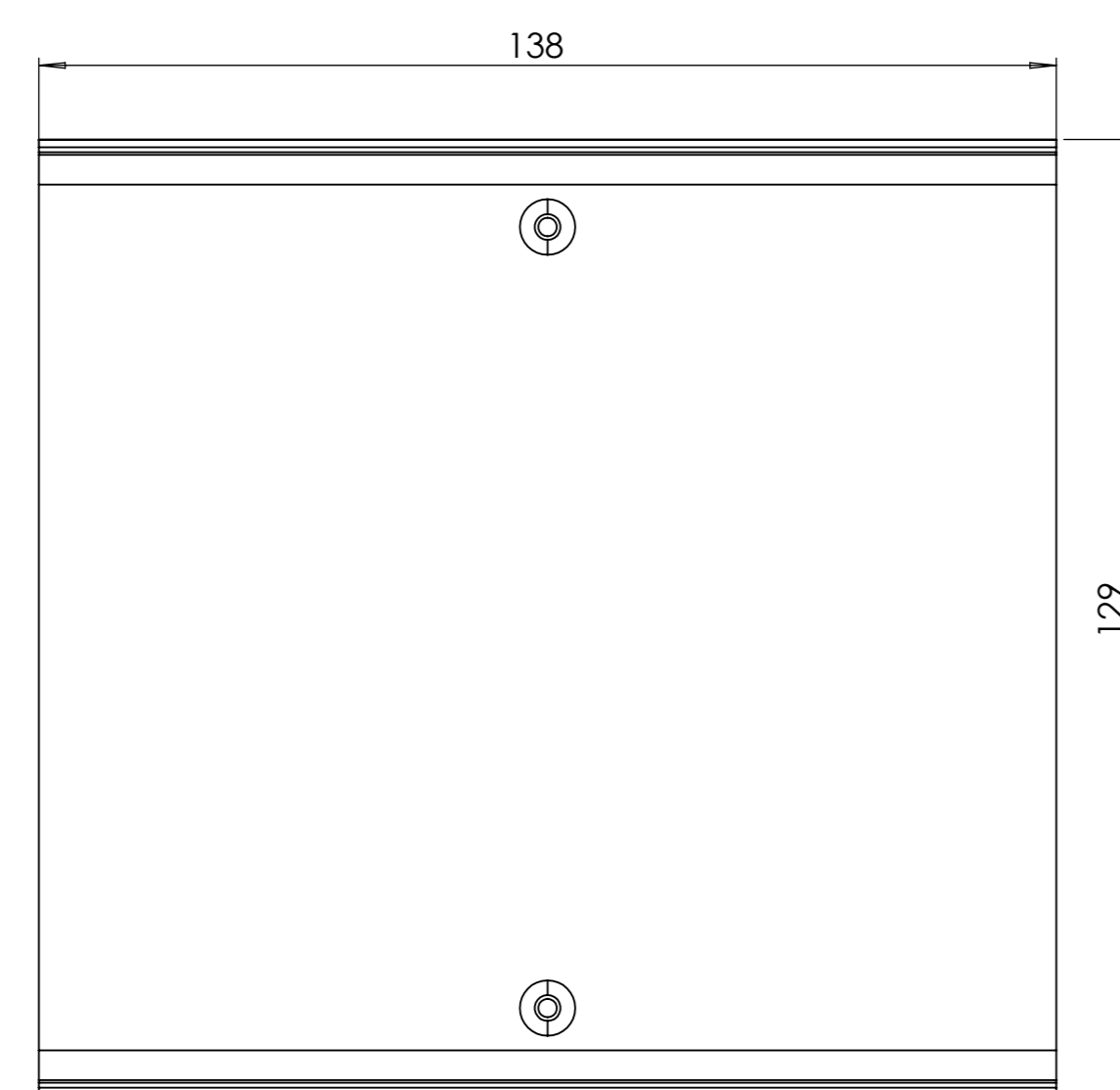
SURFACE-21



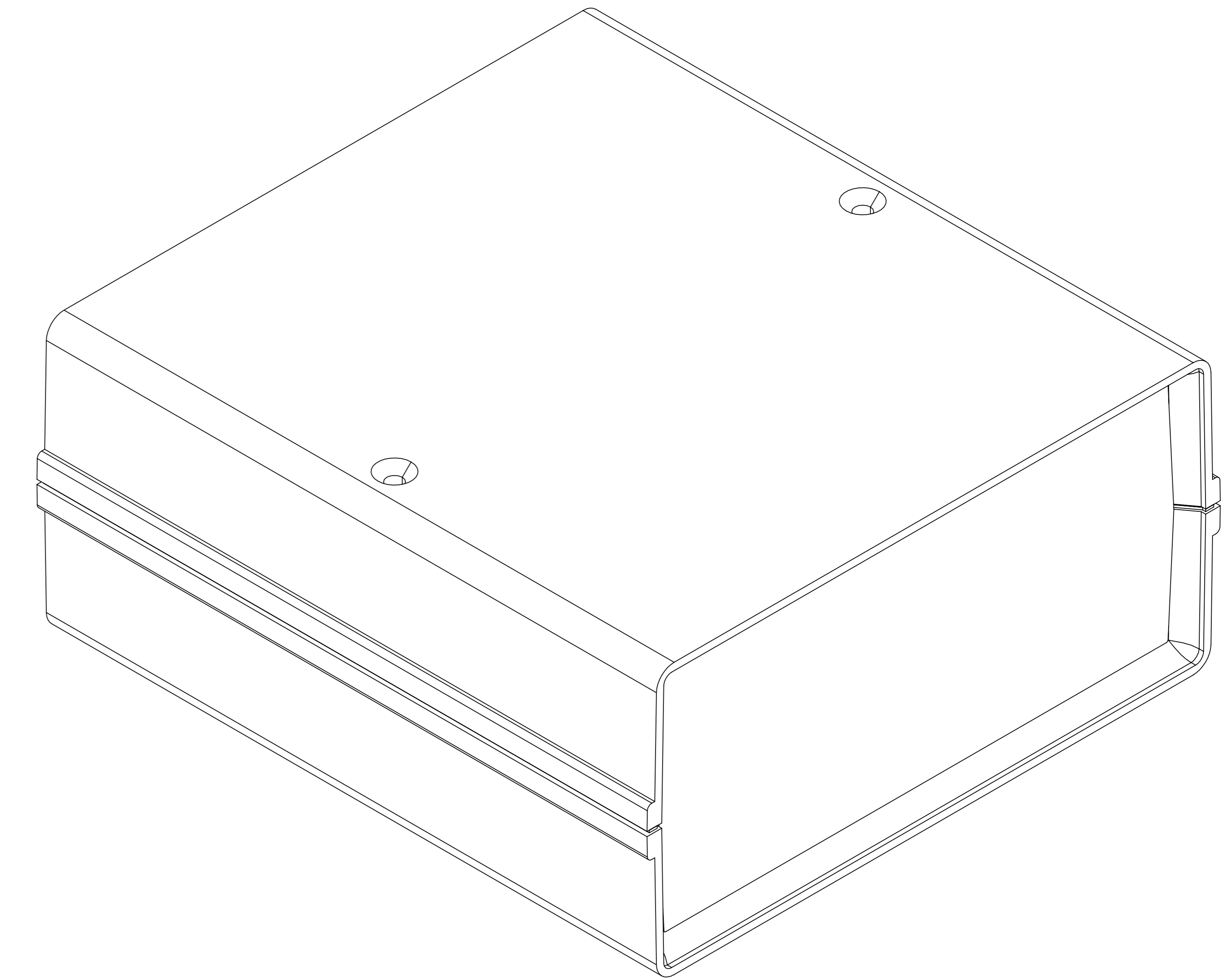
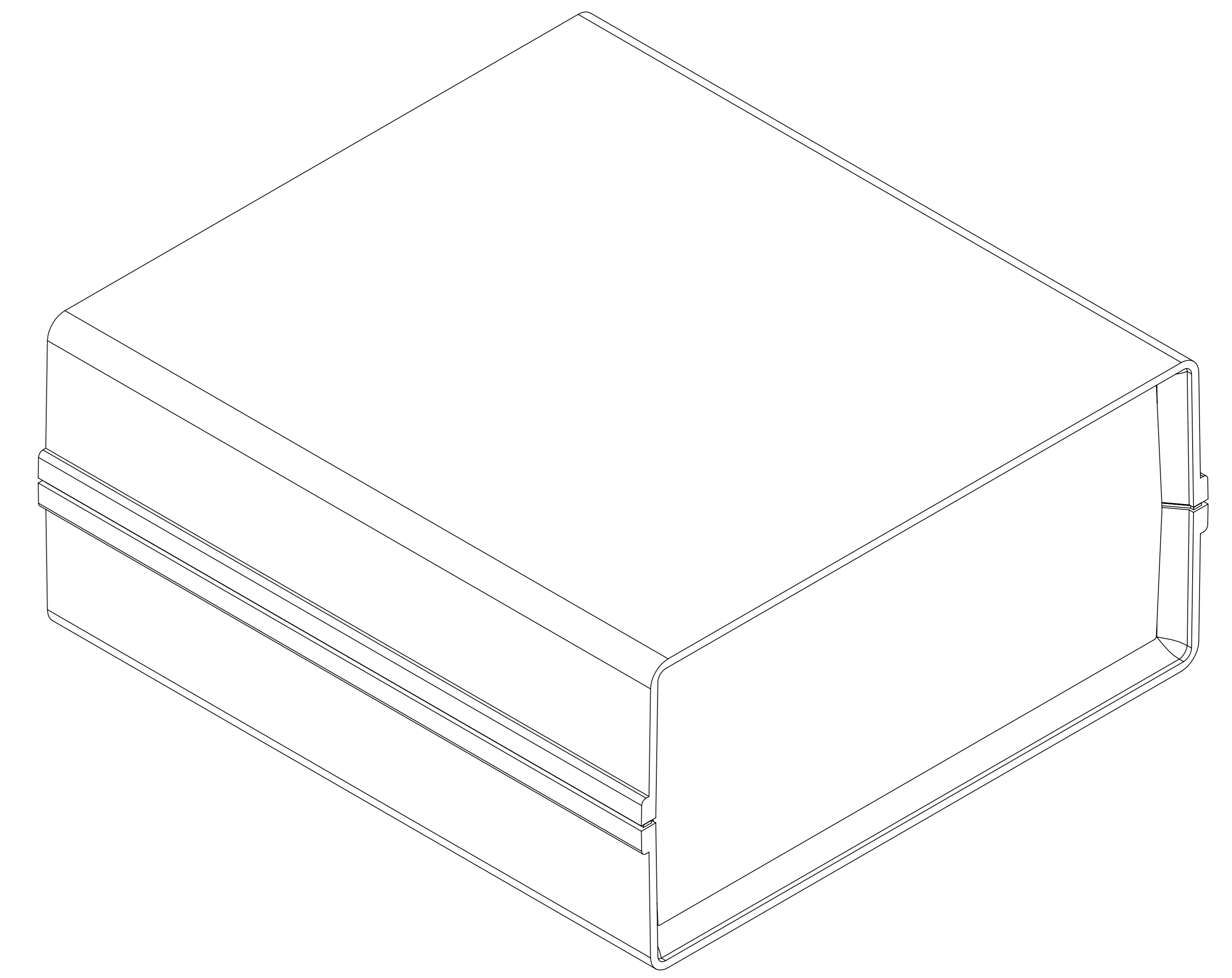
SURFACE-20




SURFACE-18



SURFACE-22



REV. NO	DATE	REVISED BY	DESCRIPTION OF CHANGE
 ALTINKAYA Electronic Enclosures & Components			
Customer Name :		Customer Ref. :	
Altinkaya Ref :		Part Name: DT-0808	
DRAWN	NAME	DATE	Drawn From:
CHECKED	Y.YEL	15.10.2024	Material:
DIMENSIONAL TOLERANCES UNLESS OTHERWISE SPECIFIED (DIN7168)			Weight:
0.5-3mm	3-6mm	6-30mm	30-120mm
±0,1	±0,1	±0,2	±0,3
			120-400mm
			±0,5
			UNIT: mm
			Dimension(mm)
			m (medium)