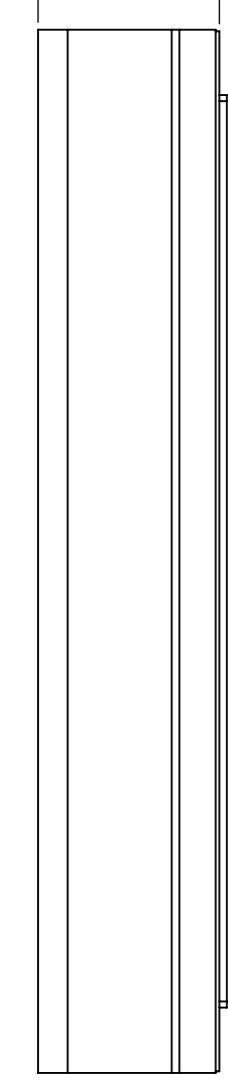


**BASE: 6 SURFACE**

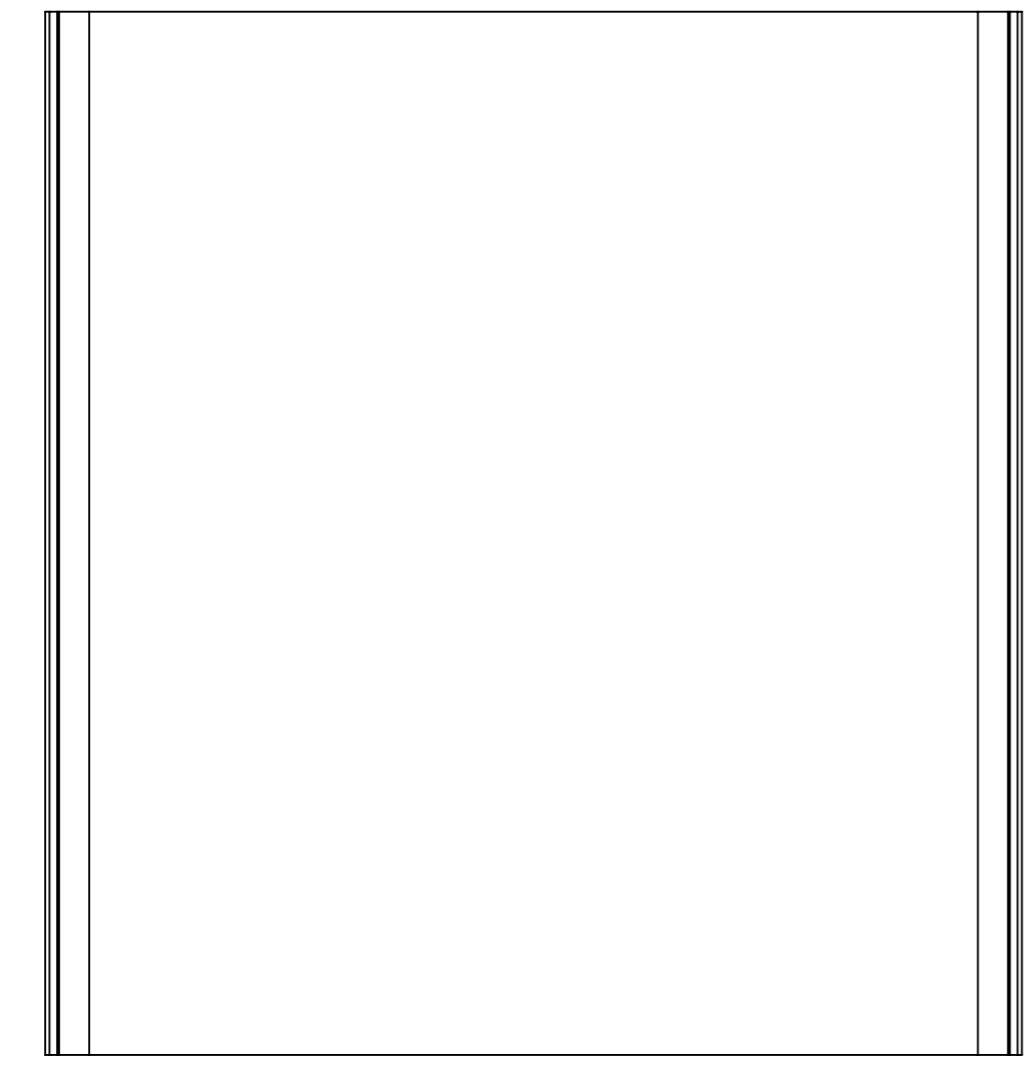


SURFACE-1

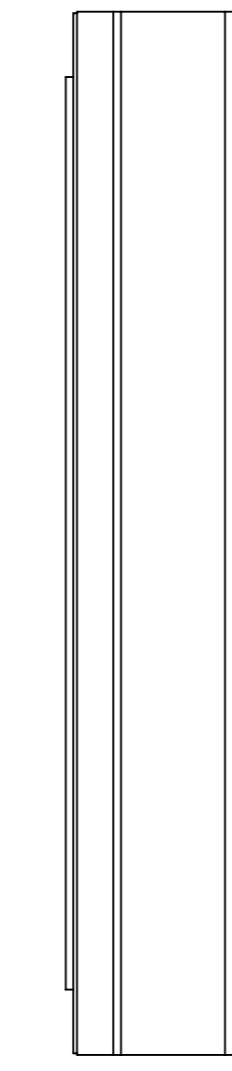
24



SURFACE-3



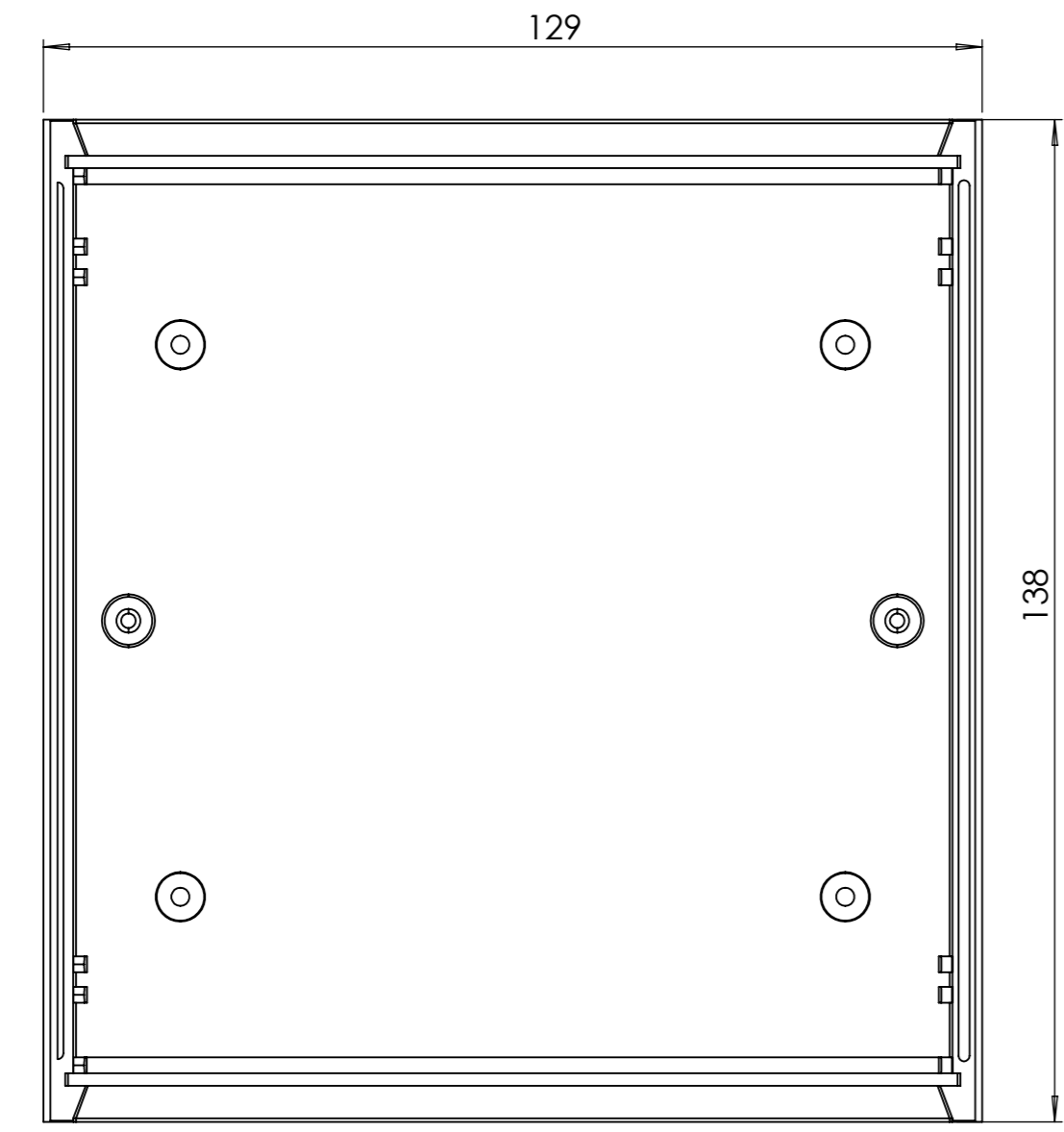
SURFACE-5



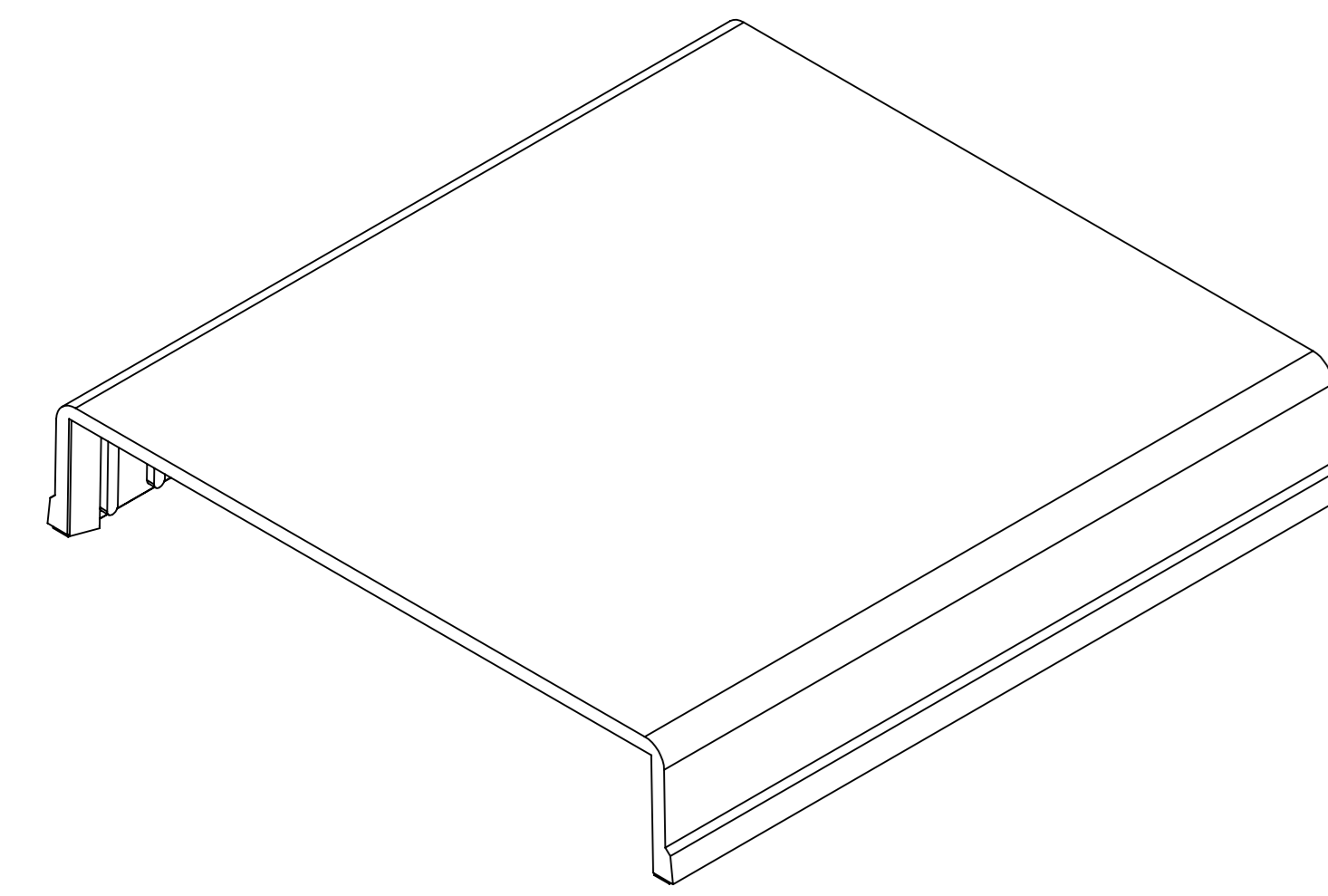
SURFACE-4



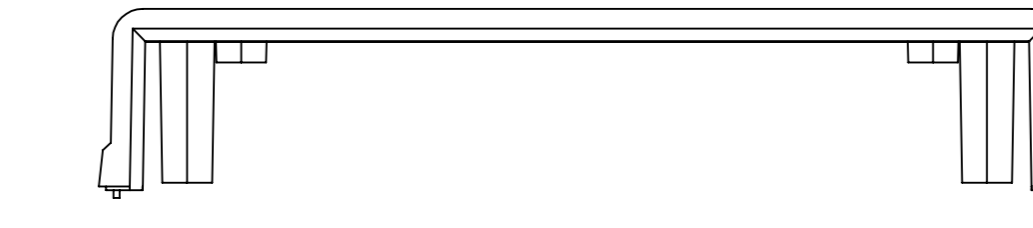
SURFACE-2



SURFACE-6 (INSIDE)

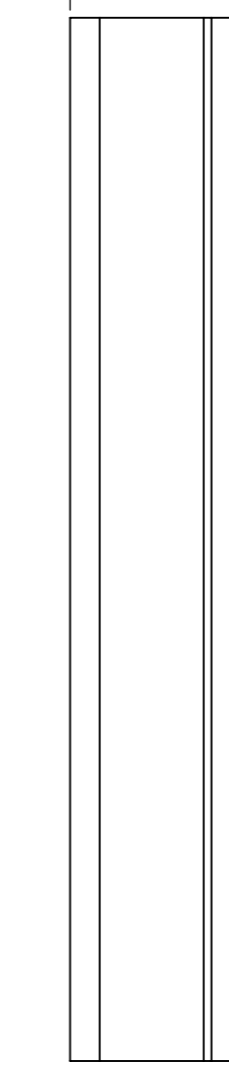


**COVER: 6 SURFACE**

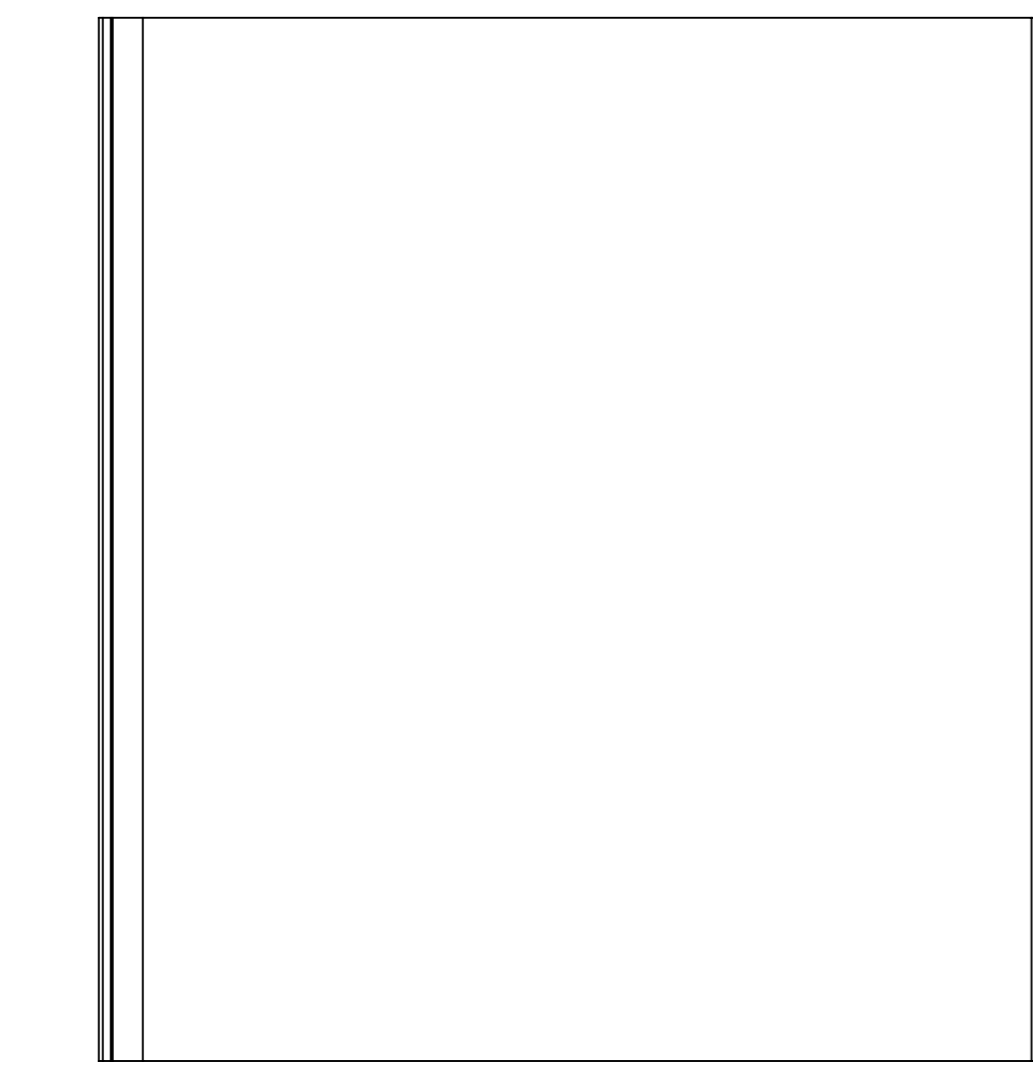


SURFACE-7

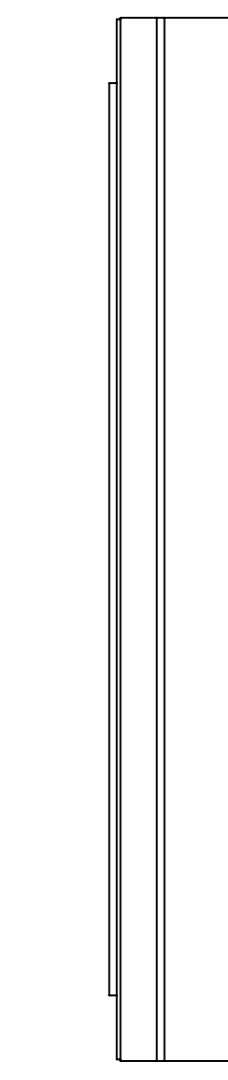
24



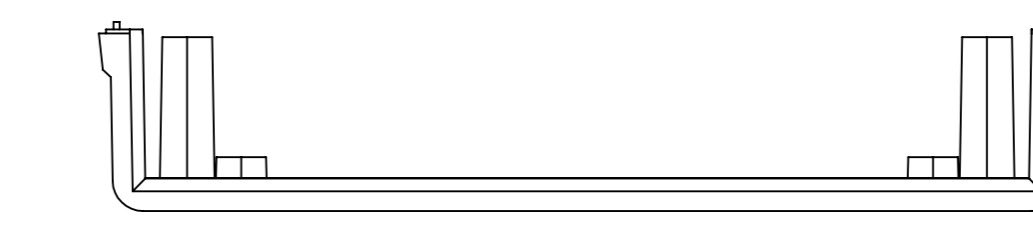
SURFACE-9



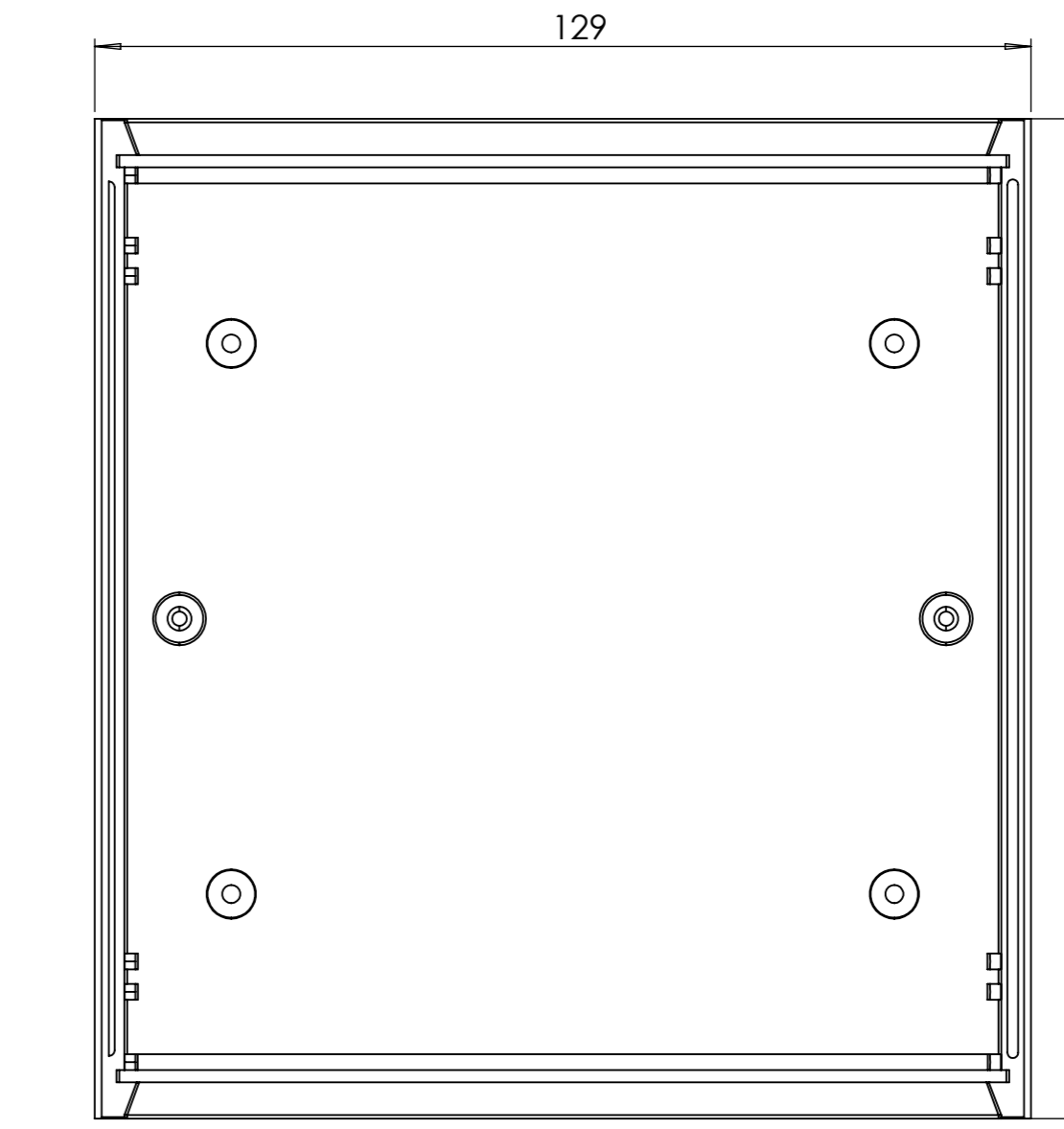
SURFACE-11



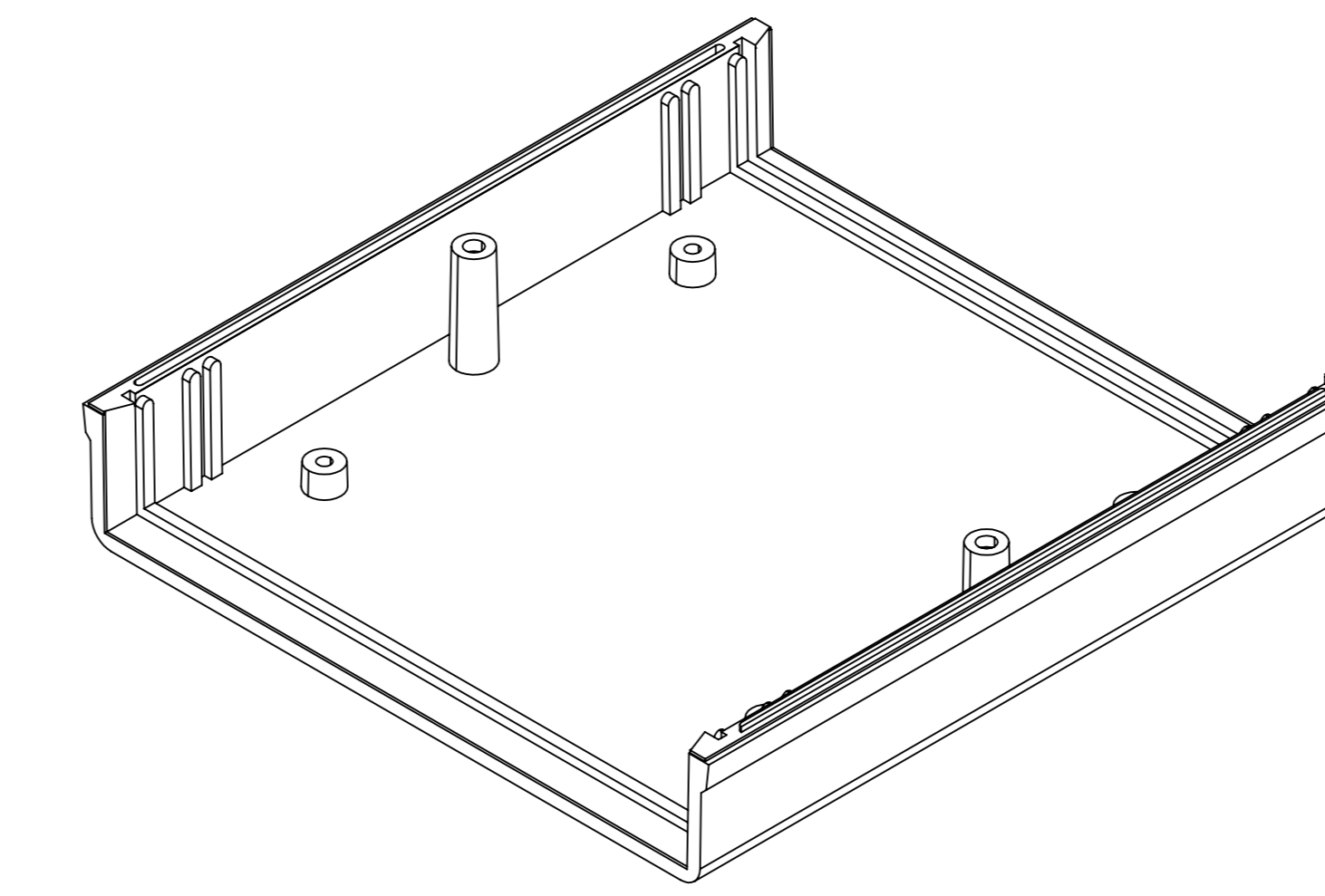
SURFACE-10



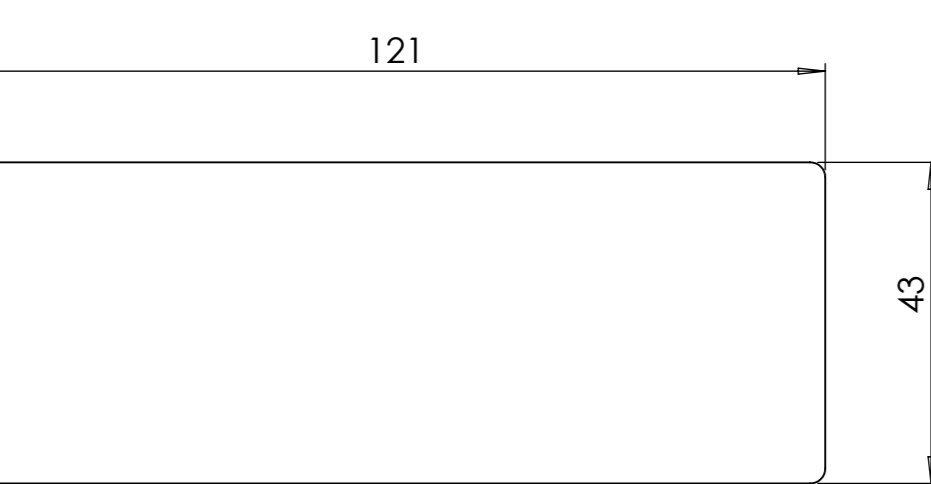
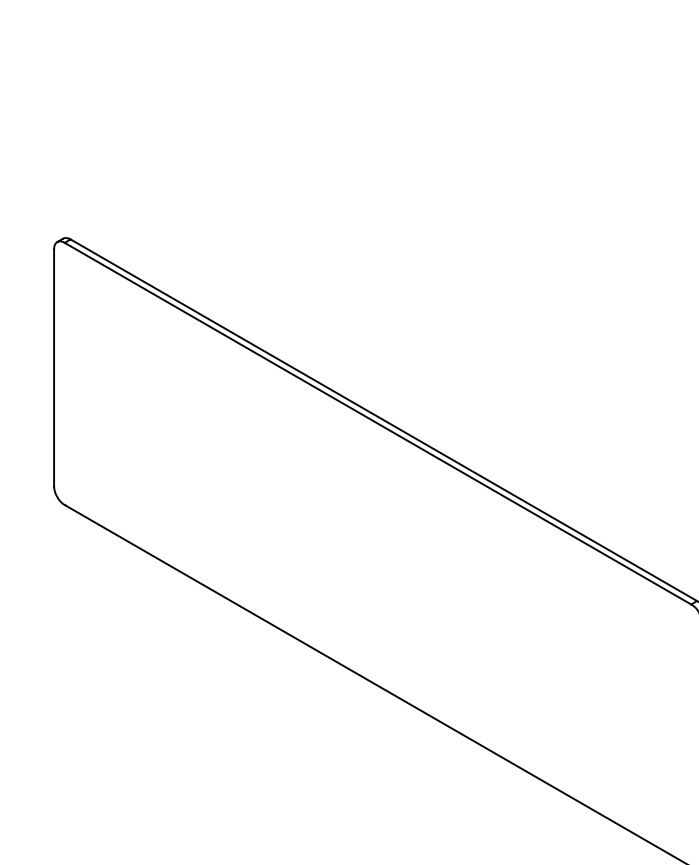
SURFACE-8



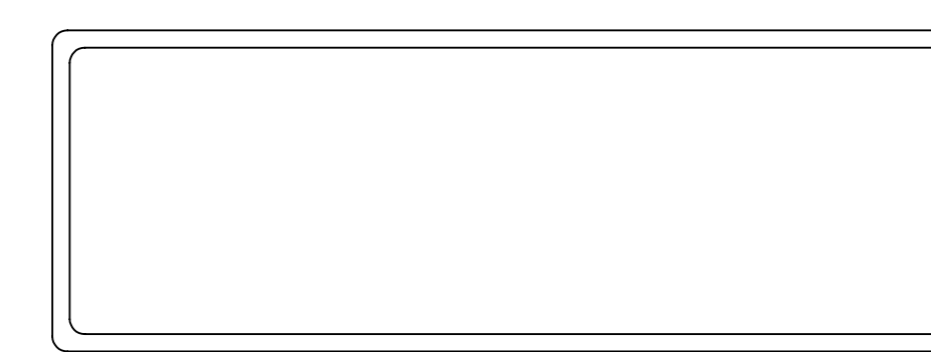
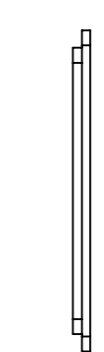
SURFACE-12 (INSIDE)



**PANEL-1: 2 SURFACE**

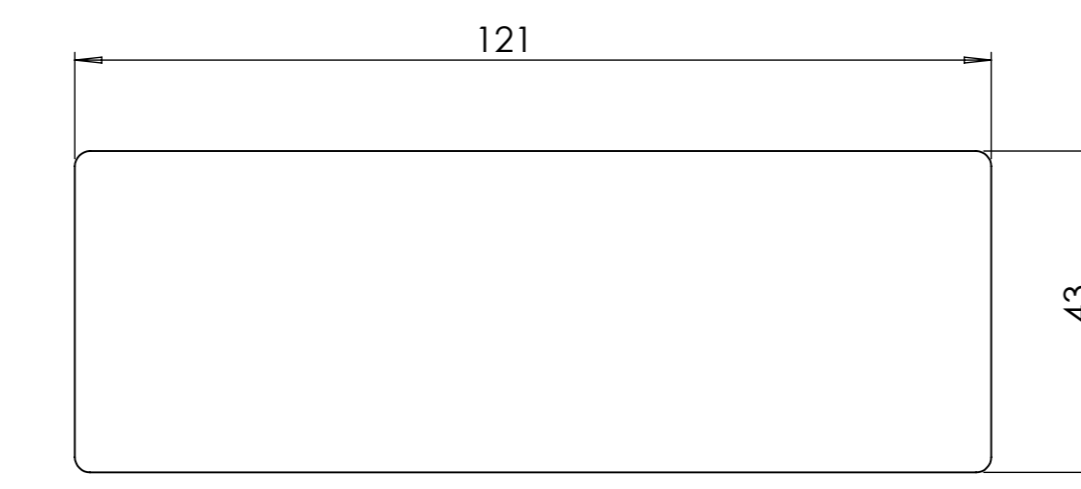
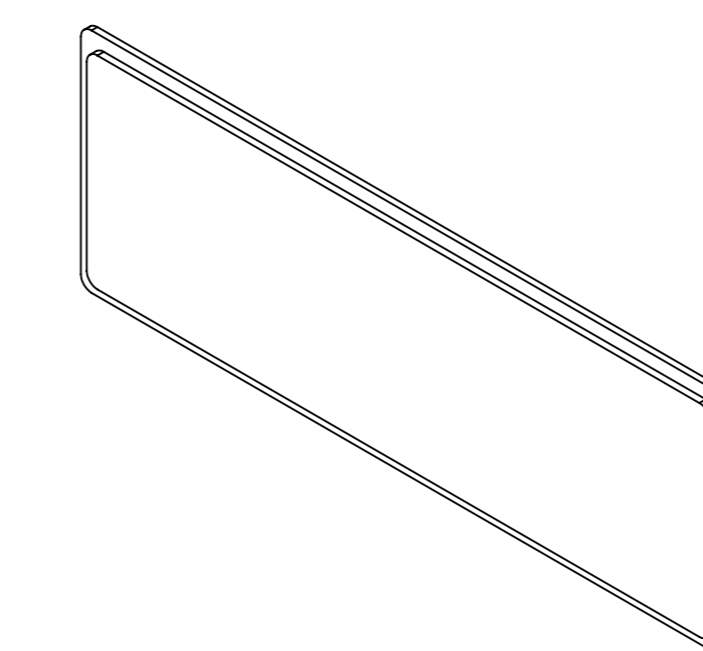


SURFACE-13

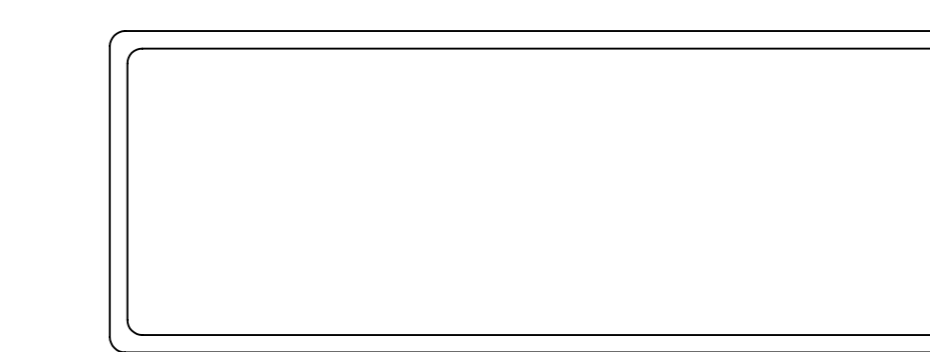


SURFACE-14


**PANEL-2: 2 SURFACE**



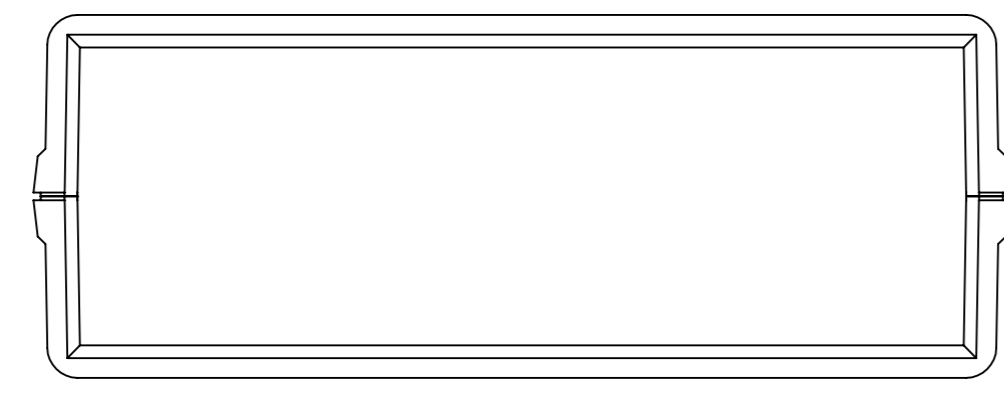
SURFACE-15



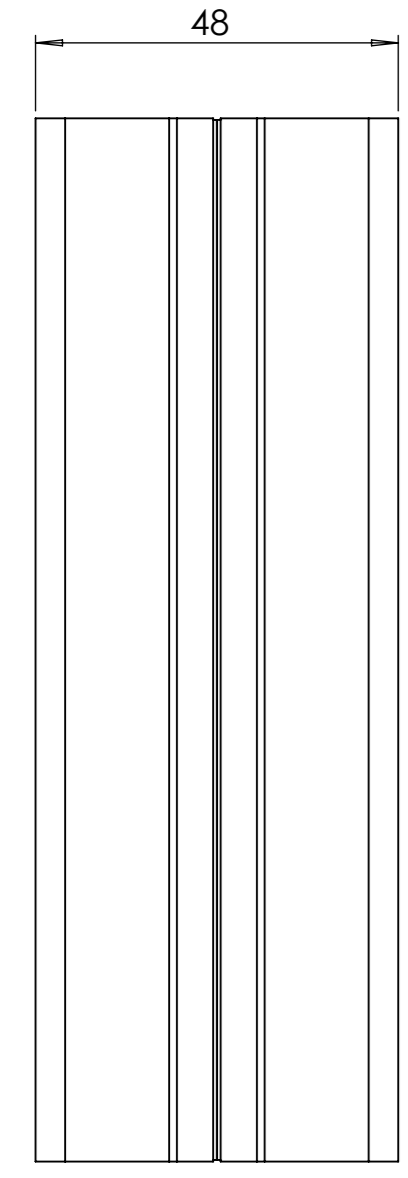
SURFACE-16

REV. NO	DATE	REVISED BY	DESCRIPTION OF CHANGE
 <b>ALTINKAYA</b> Electronic Enclosures & Components			
Customer Name :		Customer Ref. :	
Altinkaya Ref :		Part Name: DT-0505	
DRAWN	NAME	DATE	Drawn From:
CHECKED	Y.YEL	14.10.2024	Material:
DIMENSIONAL TOLERANCES UNLESS OTHERWISE SPECIFIED (DIN7168)			Weight:
±0,1	±0,1	±0,2	±0,3
±0,5	±0,5	±0,5	±0,5
UNIT: mm			Dimension(mm)
m (medium)			

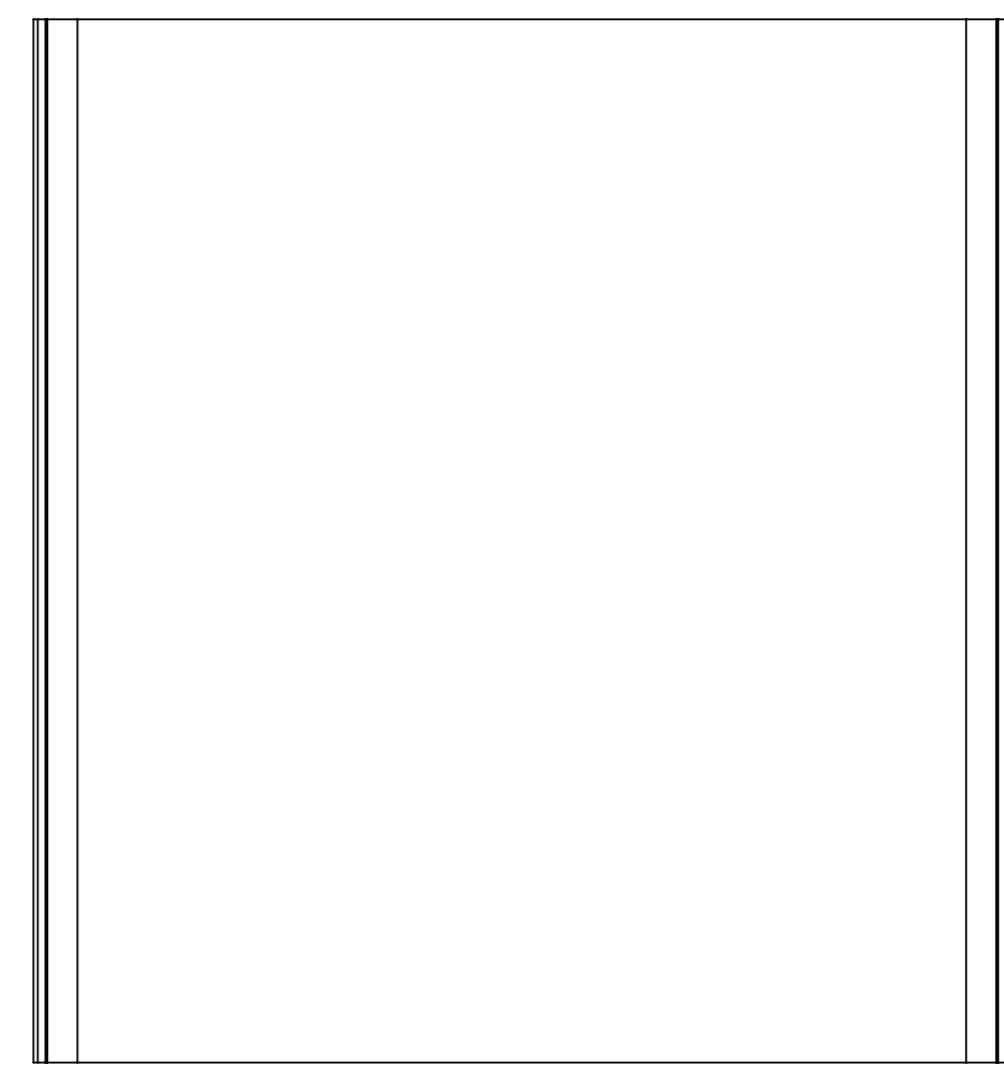
**DT-0505 IF MACHINED TOGETHER**



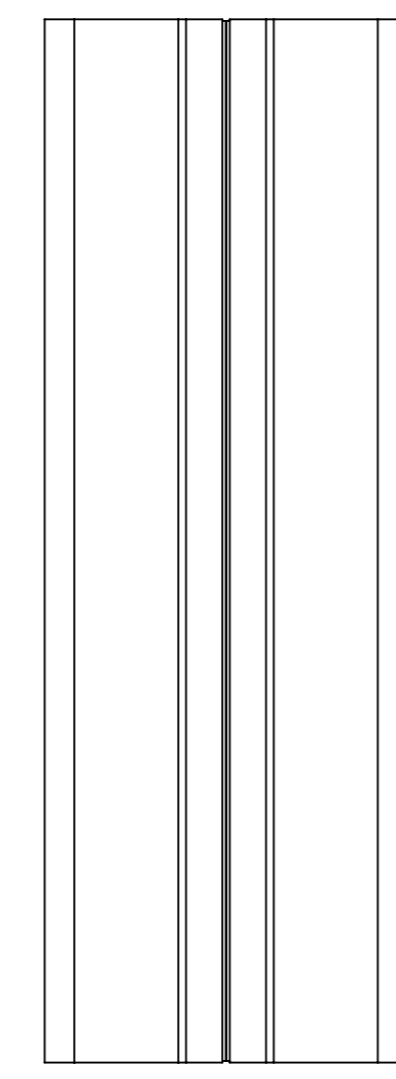
SURFACE-17



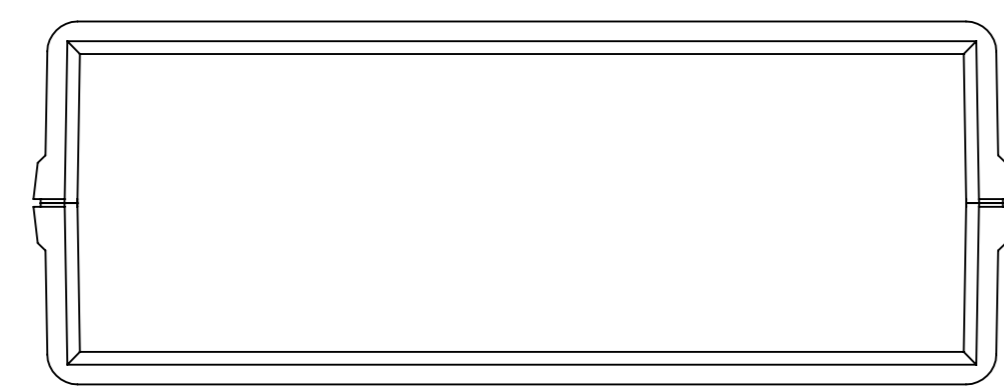
SURFACE-19



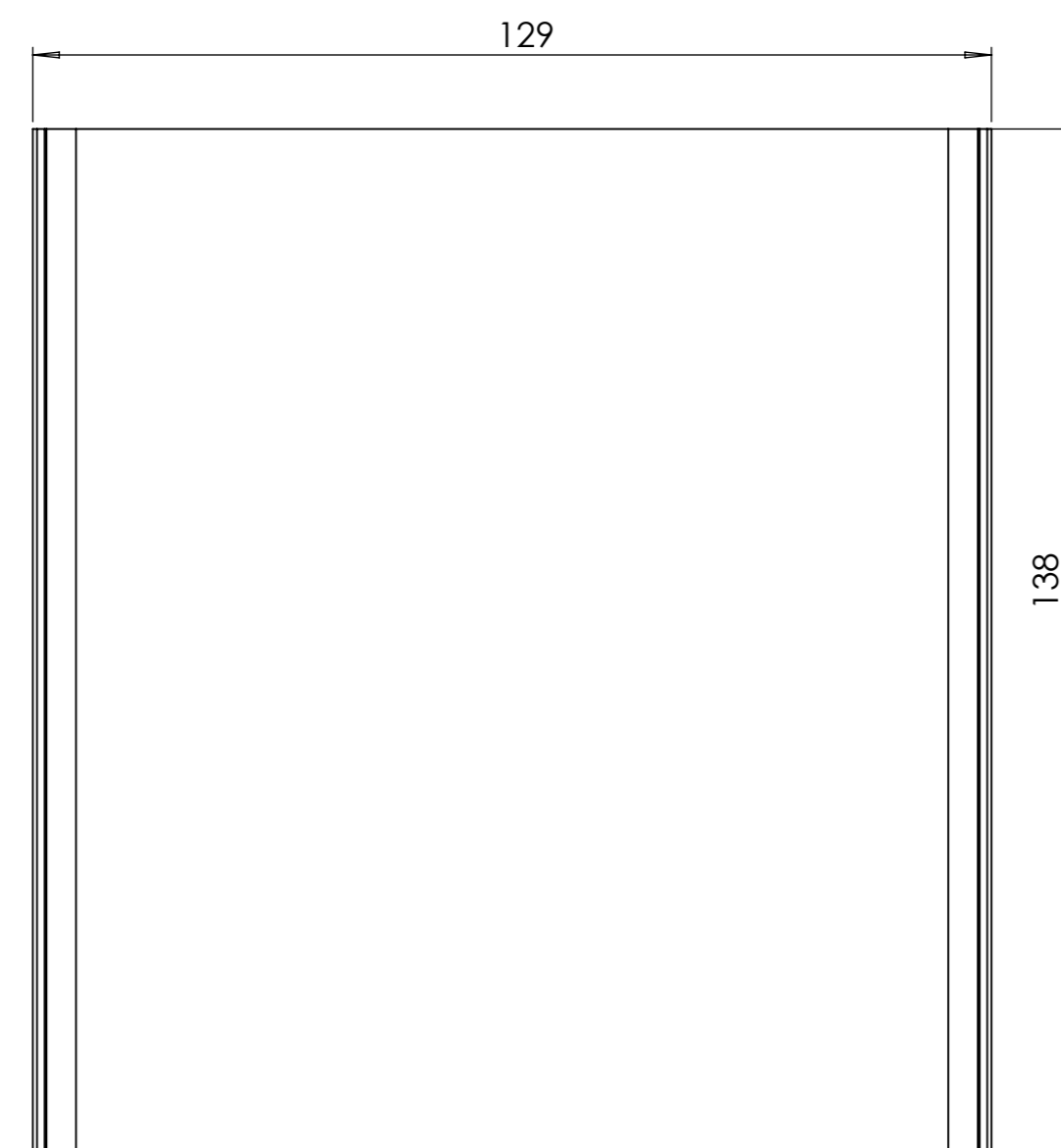
SURFACE-21



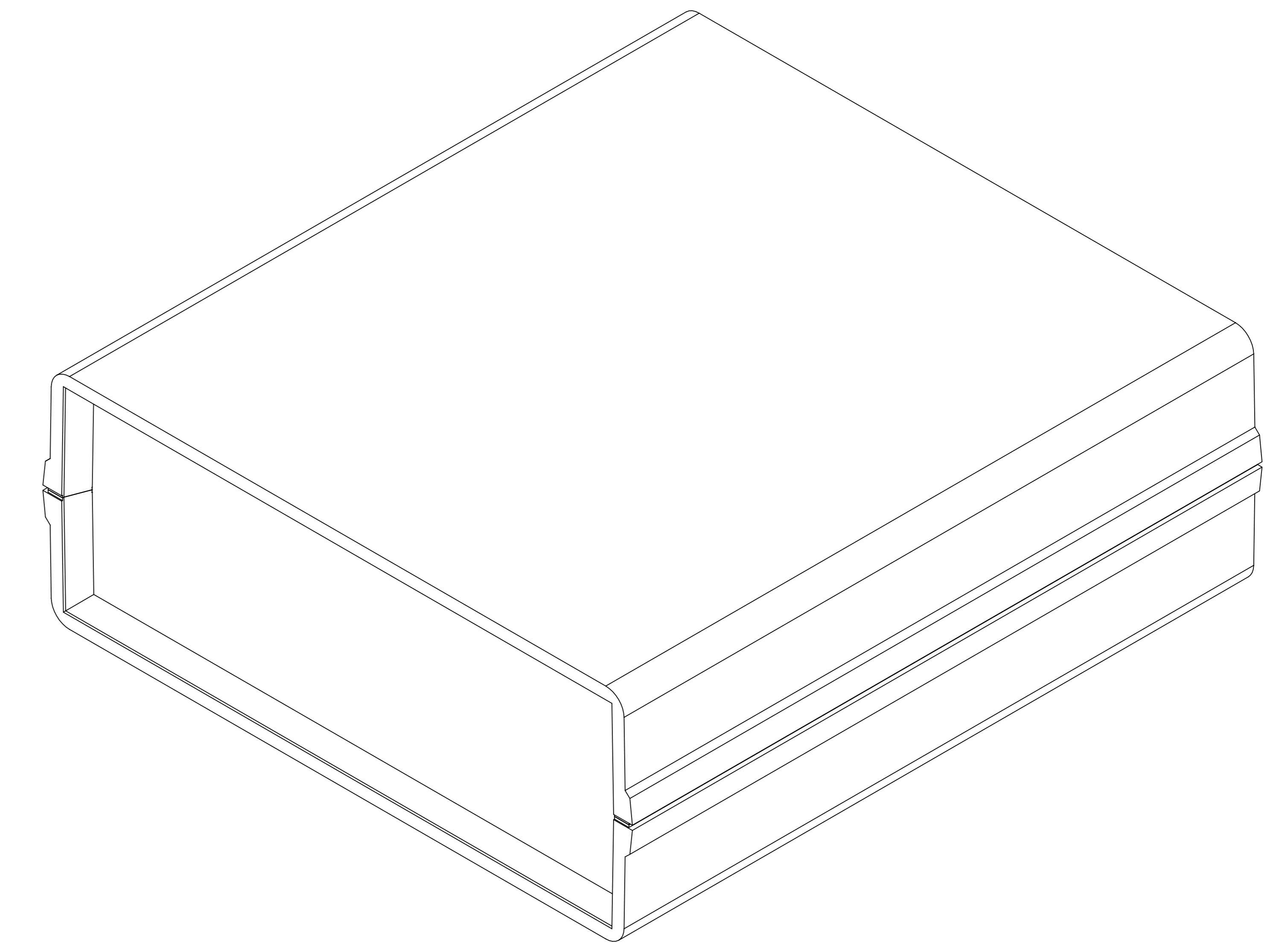
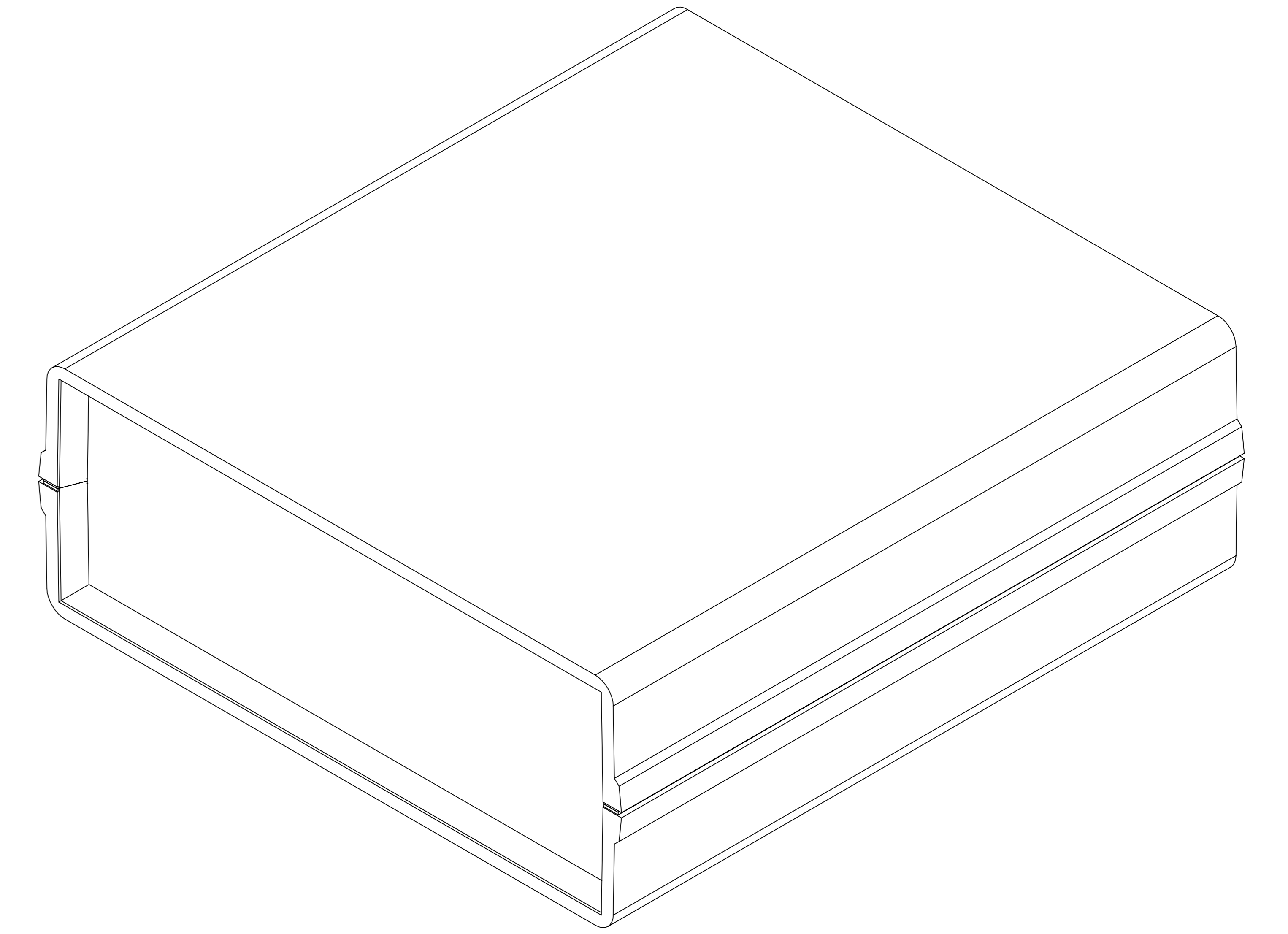
SURFACE-20




SURFACE-18



SURFACE-22



REV. NO	DATE	REVISED BY	DESCRIPTION OF CHANGE
 <b>ALTINKAYA</b> Electronic Enclosures & Components			<a href="http://www.altinkaya.com">www.altinkaya.com</a>
Customer Name :		Customer Ref. :	
Altinkaya Ref :		Part Name: DT-0505	
	NAME	DATE	Drawn From:
DRAWN	S.YESILOZ	14.10.2024	Material:
CHECKED	Y.YEL	14.10.2024	Weight:
DIMENSIONAL TOLERANCES UNLESS OTHERWISE SPECIFIED (DIN7168)			UNIT: mm
	0.5-3mm	3-6mm	6-30mm
	±0,1	±0,1	±0,2
			±0,3
			±0,5
			Dimension(mm)
			m (medium)