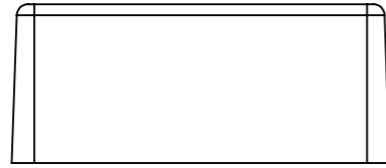
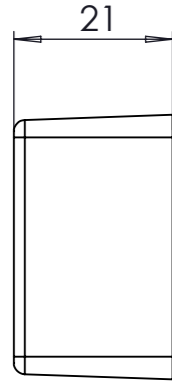


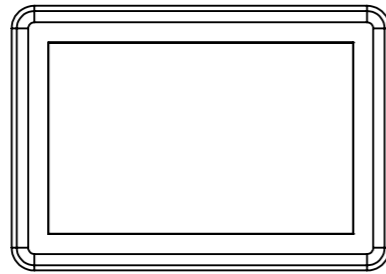
BASE: 6 SURFACE



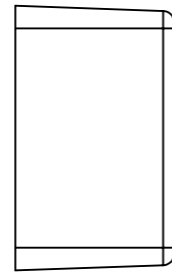
SURFACE-1



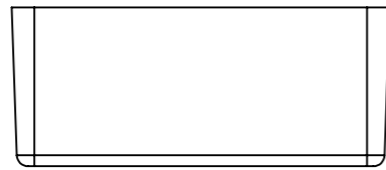
SURFACE-3



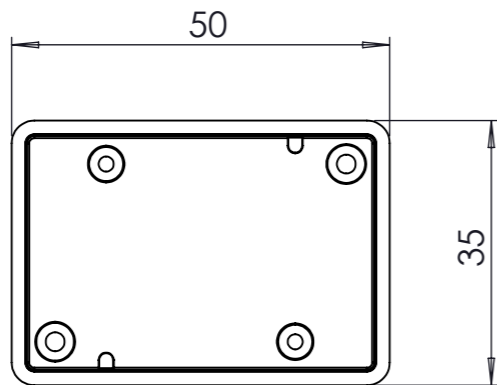
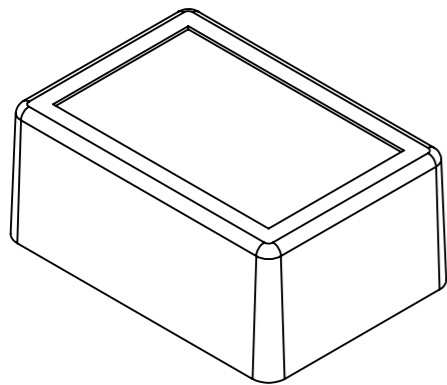
SURFACE-5



SURFACE-4

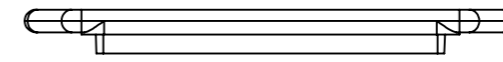


SURFACE-2



SURFACE-6 (INSIDE)

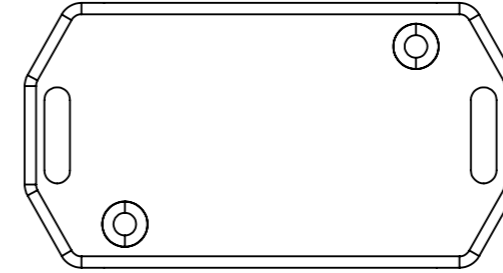
COVER: 6 SURFACE



SURFACE-7



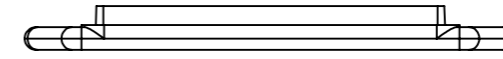
SURFACE-9



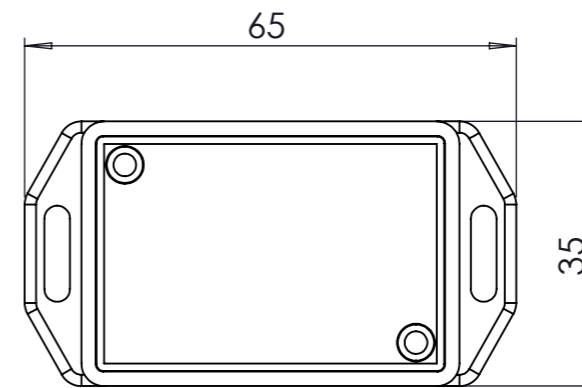
SURFACE-11



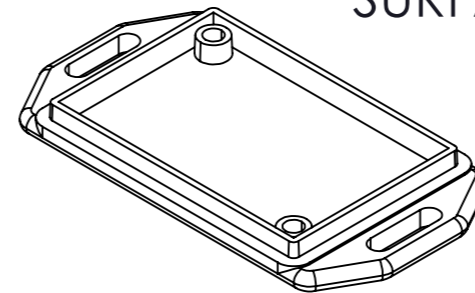
SURFACE-10




SURFACE-8



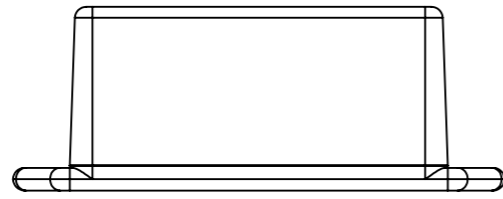
SURFACE-12 (INSIDE)



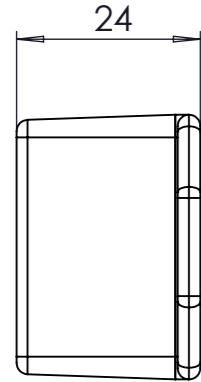
REV. NO	DATE	REVISED BY	DESCRIPTION OF CHANGE		
			www.altinkaya.com		
Customer Name:		Customer Ref:			
Altinkaya Ref :		Part Name : DM-006			
DRAWN	NAME	DATE	Drawn From:		
CHECKED	Y. YEL	19.09.2024	Material :	UNIT : mm	
<small>DIMENSIONAL TOLERANCES UNLESS OTHERWISE SPECIFIED (DIN7168)</small>			Weight: g	30-120mm	120-400mm
	±0,1	±0,1	±0,2	±0,3	±0,5
SCALE:1:1					SHEET 1 OF 2

A3

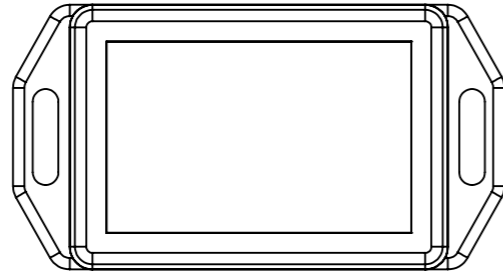
DM-006 IF MACHINED TOGETHER



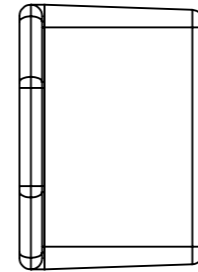
SURFACE-13



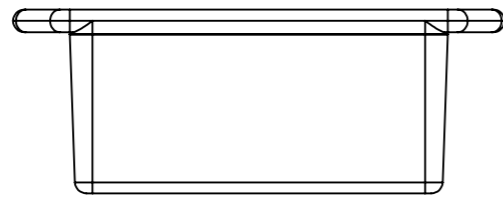
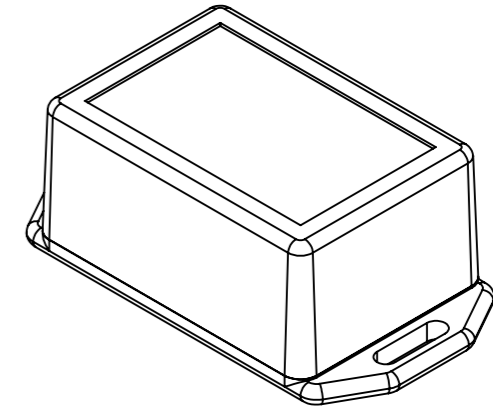
SURFACE-15



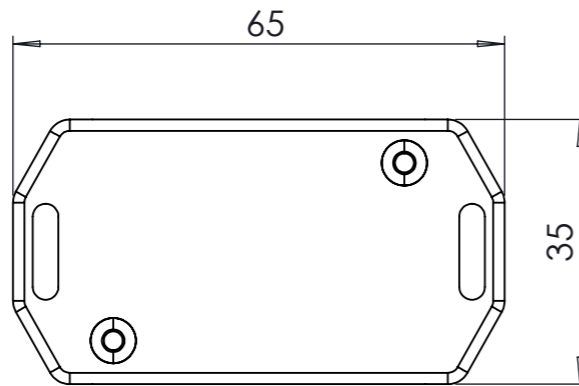
SURFACE-17



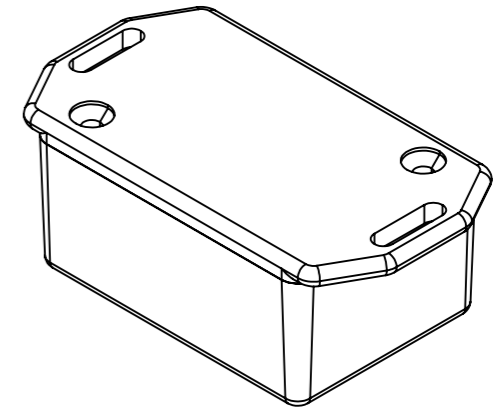
SURFACE-16



SURFACE-14



SURFACE-18



REV. NO	DATE	REVISED BY	DESCRIPTION OF CHANGE		
ALTINKAYA			www.altinkaya.com		
Customer Name:			Customer Ref:		
Altinkaya Ref :			Part Name : DM-006		
DRAWN		NAME	DATE	Drawn From:	
CHECKED		Y. YEL	19.09.2024	Weight:	g
DIMENSIONAL TOLERANCES UNLESS OTHERWISE SPECIFIED (DIN7168)		0,5-3mm	±0,1	3-6 mm	±0,1
		6-30mm	±0,2	30-120mm	±0,3
		120-400mm	±0,5	UNIT : mm	Dimension (mm)
		m (medium)	SCALE:1:1	SHEET 2 OF 2	A3