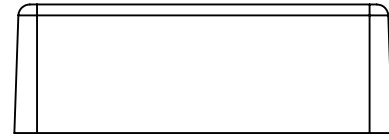
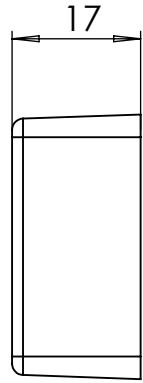


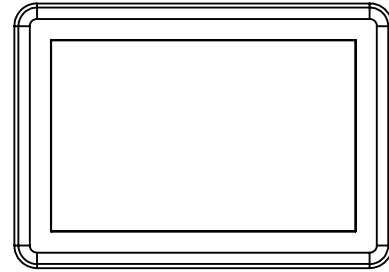
BASE: 6 SURFACE



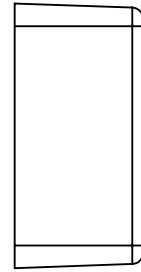
SURFACE-1



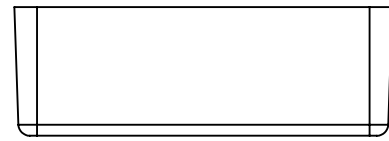
SURFACE-3



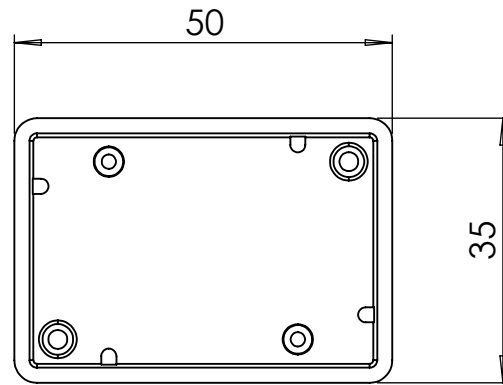
SURFACE-5



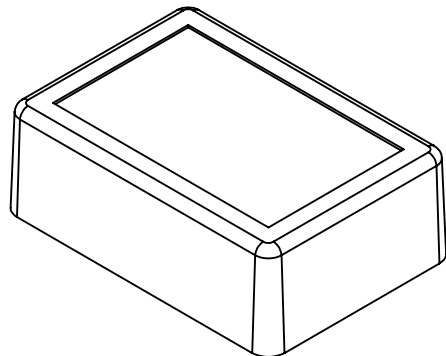
SURFACE-4



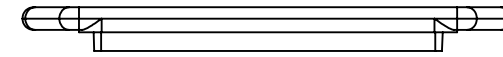
SURFACE-2



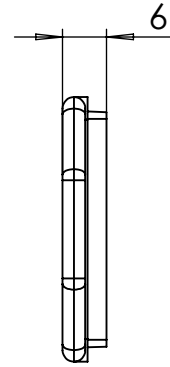
SURFACE-6 (INSIDE)



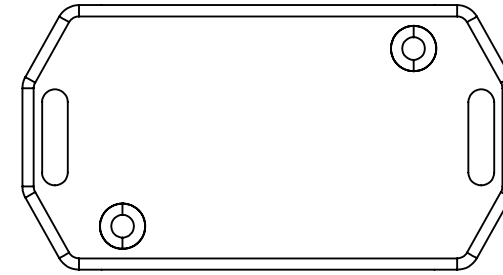
COVER: 6 SURFACE



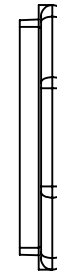
SURFACE-7



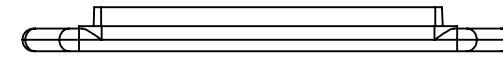
SURFACE-9



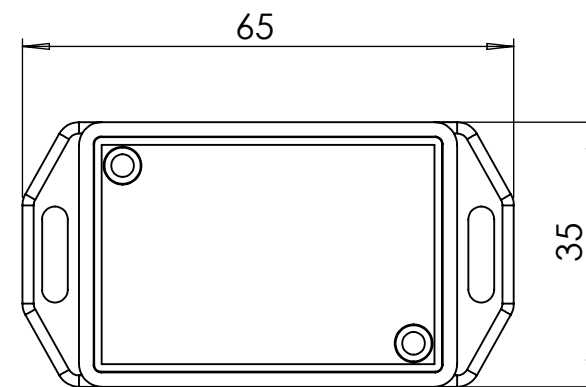
SURFACE-11



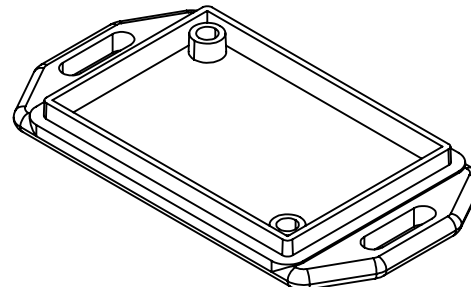
SURFACE-10




SURFACE-8



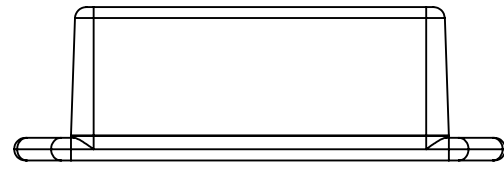
SURFACE-12 (INSIDE)



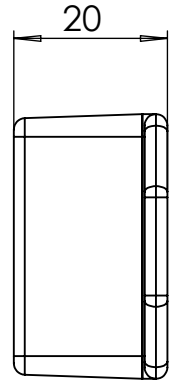
REV. NO	DATE	REVISED BY	DESCRIPTION OF CHANGE		
			www.altinkaya.com		
Customer Name:		Customer Ref:			
Altinkaya Ref:		Part Name: DM-004			
DRAWN	NAME	DATE	Drawn From:		
CHECKED	Y. YEL	19.09.2024	Material:	UNIT: mm	
<small>DIMENSIONAL TOLERANCES UNLESS OTHERWISE SPECIFIED (DIN7168)</small>			Weight: g	m (medium)	
			0,5-3mm	3-6 mm	6-30mm
			±0,1	±0,1	±0,2
			±0,3	±0,5	
			30-120mm	120-400mm	
			SCALE:1:1 SHEET 1 OF 2		

A3

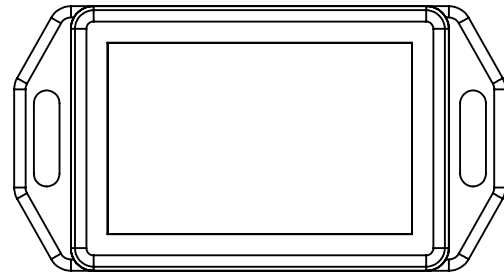
DM-004 IF MACHINED TOGETHER



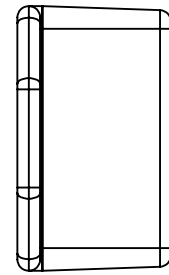
SURFACE-13



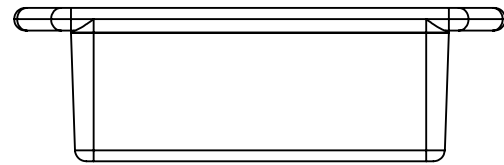
SURFACE-15



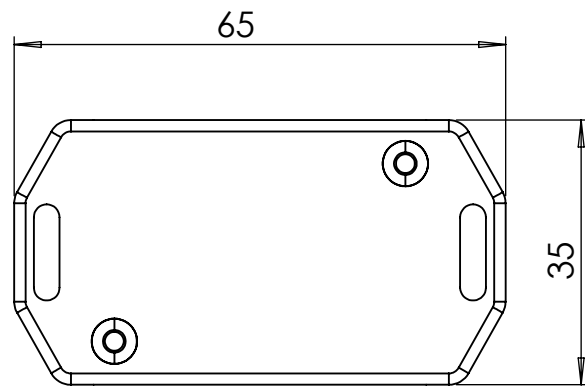
SURFACE-17



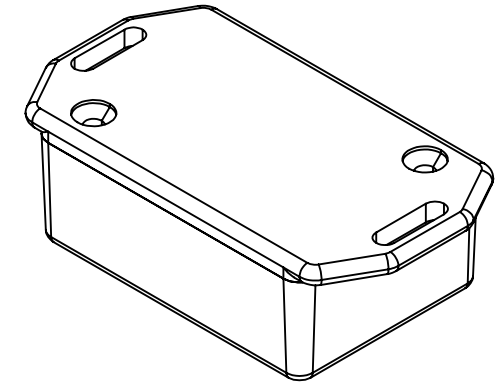
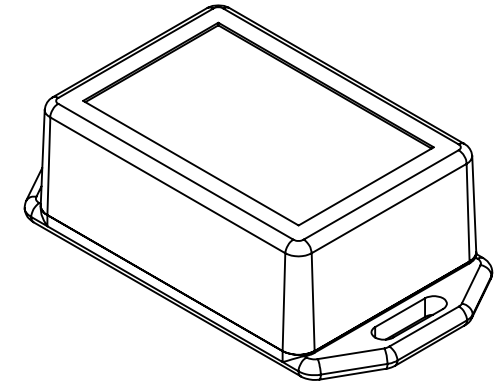
SURFACE-16



SURFACE-14



SURFACE-18



REV. NO	DATE	REVISED BY	DESCRIPTION OF CHANGE		
ALTINKAYA Electronic Enclosures & Components			www.altinkaya.com		
Customer Name:		Customer Ref:			
Altinkaya Ref :		Part Name : DM-004			
DRAWN		DATE		Drawn From:	
S. YESILOZ		19.09.2024		Material :	
CHECKED		DATE		Weight: g	
Y. YEL		19.09.2024		UNIT : mm	
DIMENSIONAL TOLERANCES UNLESS OTHERWISE SPECIFIED (DIN7168)					
0,5-3mm		3-6 mm		6-30mm	
±0,1		±0,1		±0,2	
				±0,3	
				±0,5	
				Dimension (mm)	
				m (medium)	
				SCALE:1:1	
				SHEET 2 OF 2	

A3

