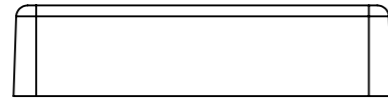
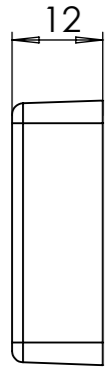


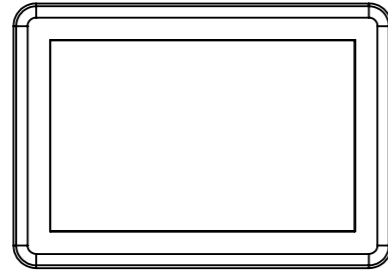
BASE: 6 SURFACE



SURFACE-1



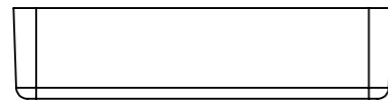
SURFACE-3



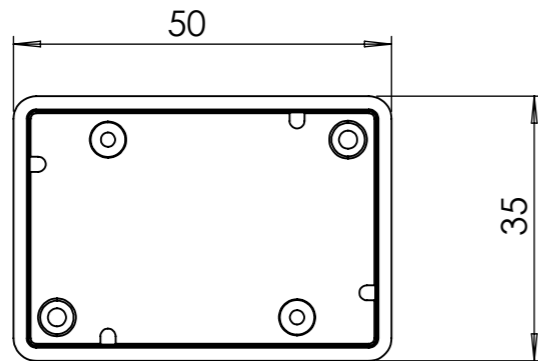
SURFACE-5



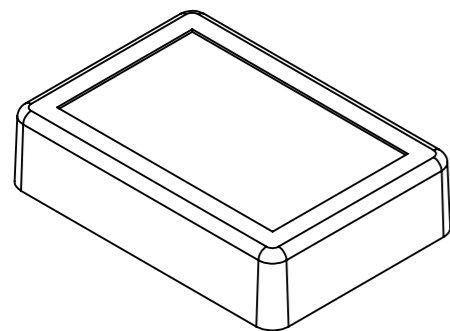
SURFACE-4



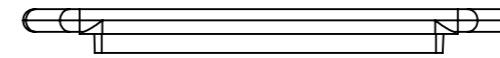
SURFACE-2



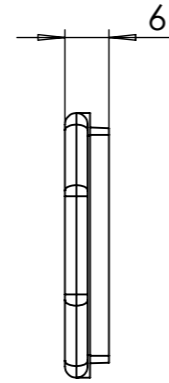
SURFACE-6 (INSIDE)



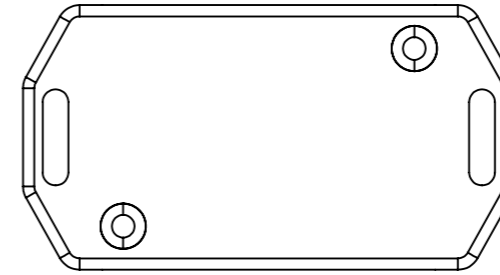
COVER: 6 SURFACE



SURFACE-7



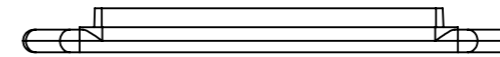
SURFACE-9



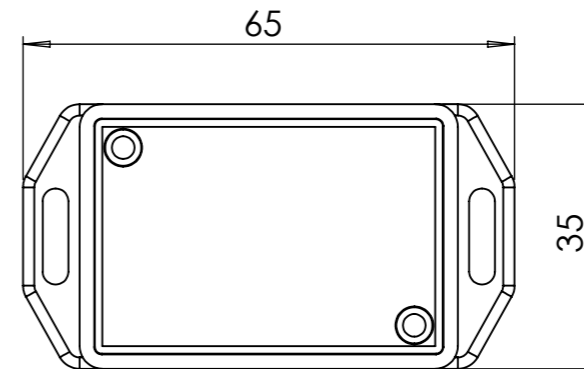
SURFACE-11



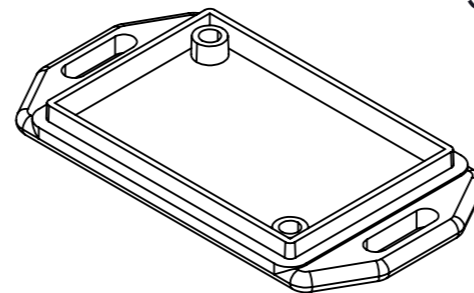
SURFACE-10




SURFACE-8



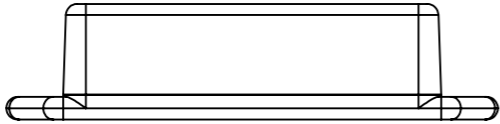
SURFACE-12 (INSIDE)



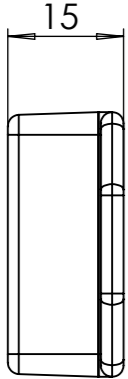
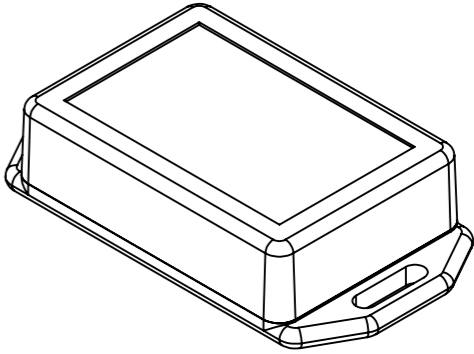
REV. NO	DATE	REVISED BY	DESCRIPTION OF CHANGE			
			www.altinkaya.com			
Customer Name:		Customer Ref:				
Altinkaya Ref :		Part Name : DM-003				
DRAWN	NAME	DATE	Drawn From:			
CHECKED	Y. YEL	19.09.2024	Material :	UNIT : mm		
DIMENSIONAL TOLERANCES UNLESS OTHERWISE SPECIFIED (DIN7168)			Weight: g	Dimension (mm)		
			±0.1	±0.1	±0.2	
			±0.3	±0.5	±0.5	
			SCALE:1:1		SHEET 1 OF 2	

A3

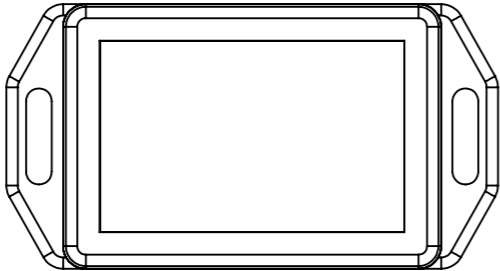
DM-003 IF MACHINED TOGETHER



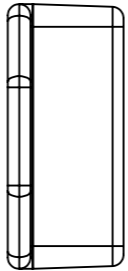
SURFACE-13



SURFACE-15



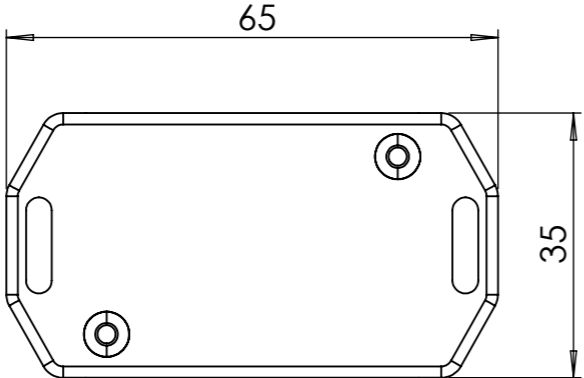
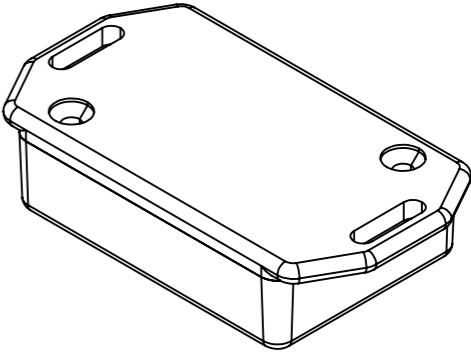
SURFACE-17



SURFACE-16



SURFACE-14



SURFACE-18

REV. NO	DATE	REVISED BY	DESCRIPTION OF CHANGE		
ALTINKAYA Electronic Enclosures & Components			www.altinkaya.com		
Customer Name:		Customer Ref:			
Altinkaya Ref :		Part Name : DM-003			
NAME		DATE		Drawn From:	
DRAWN	S. YESILOZ	19.09.2024		Material :	
CHECKED	Y. YEL	19.09.2024		Weight:	g
DIMENSIONAL TOLERANCES UNLESS OTHERWISE SPECIFIED (DIN7168)			0,5-3mm	3-6 mm	6-30mm
			±0,1	±0,1	±0,2
			30-120mm	120-400mm	UNIT : mm
			±0,3	±0,5	Dimension (mm)
			m (medium)		
SCALE:1:1					SHEET 2 OF 2

A3

