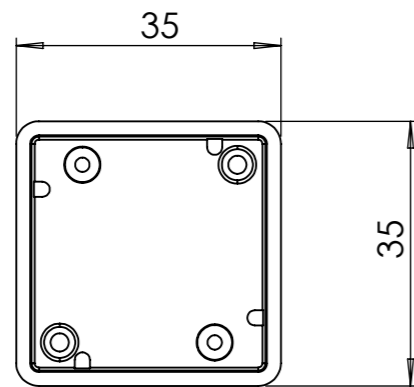
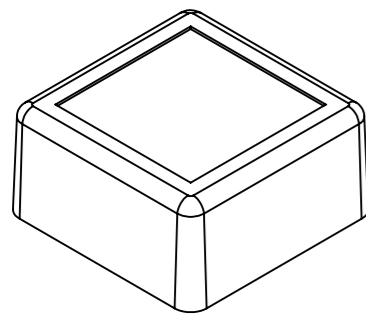
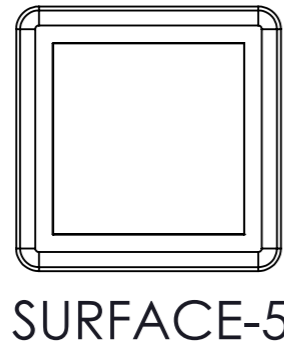
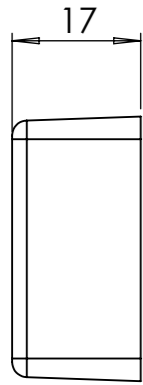
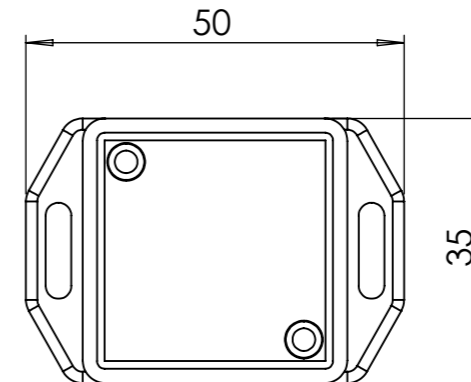
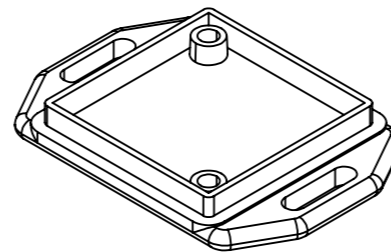
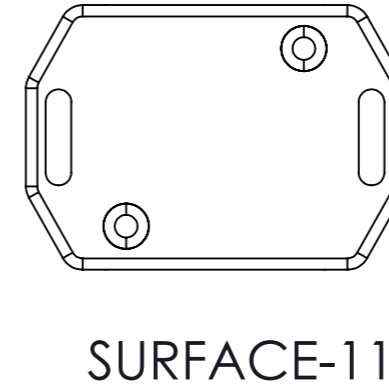
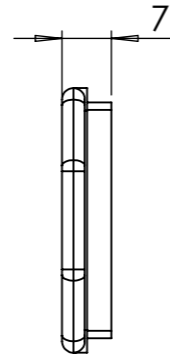



BASE: 6 SURFACE



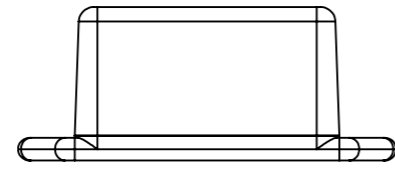
COVER: 6 SURFACE



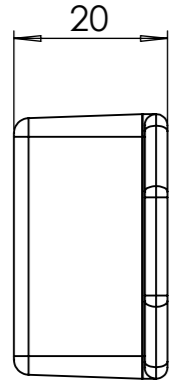
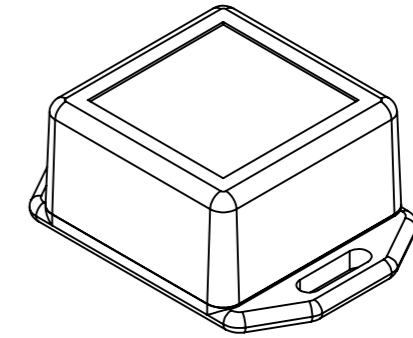
REV. NO	DATE	REVISED BY	DESCRIPTION OF CHANGE
 ALTINKAYA Electronic Enclosures & Components		www.altinkaya.com	
Customer Name:		Customer Ref:	
Altinkaya Ref :		Part Name : DM-002	
NAME		DATE	
DRAWN	S. YESILOZ	19.09.2024	
CHECKED		Y. YEL	
19.09.2024		Weight: g	
DIN 7168		UNITS : mm	
DIMENSIONAL TOLERANCES UNLESS OTHERWISE SPECIFIED		Dimension (mm)	
±0,1		±0,1	
±0,2		±0,3	
±0,5		±0,5	
SCALE:1:1		SHEET 1 OF 2	

A3

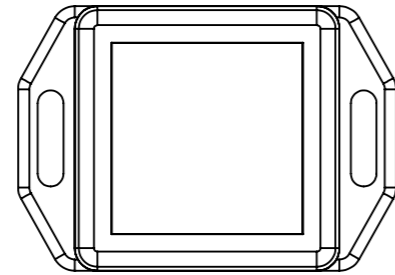
DM-002 IF MACHINED TOGETHER



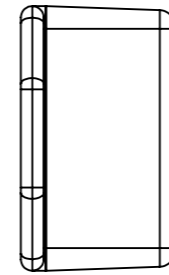
SURFACE-13



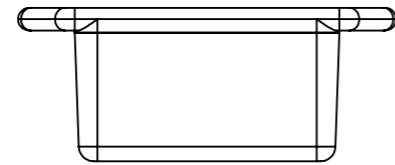
SURFACE-15



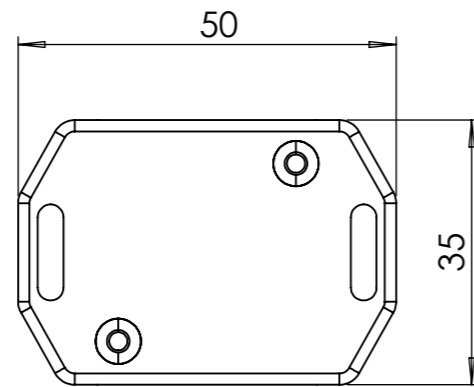
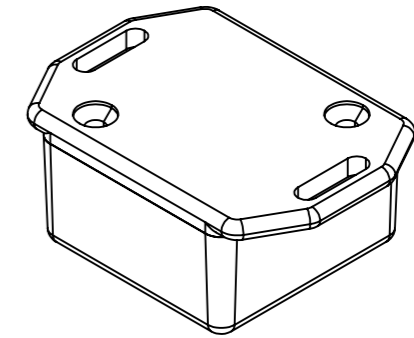
SURFACE-17



SURFACE-16



SURFACE-14



SURFACE-18

REV. NO	DATE	REVISED BY	DESCRIPTION OF CHANGE		
ALTINKAYA			www.altinkaya.com		
Electronic Enclosures & Components					
Customer Name:		Customer Ref:			
Altinkaya Ref :		Part Name : DM-002			
NAME		DATE		Drawn From:	
DRAWN	S. YESILOZ	19.09.2024		Material :	
CHECKED	Y. YEL	19.09.2024		Weight:	g
DIMENSIONAL TOLERANCES UNLESS OTHERWISE SPECIFIED (DIN7168)			0,5-3mm	3-6 mm	6-30mm
			±0,1	±0,1	±0,2
			30-120mm	120-400mm	UNIT : mm
			±0,3	±0,5	Dimension (mm)
					m (medium)
SCALE:1:1					SHEET 2 OF 2

A3

