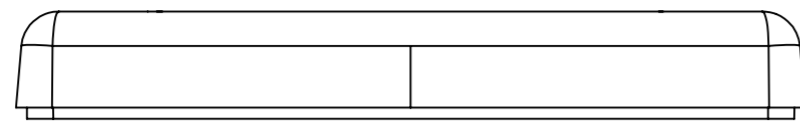
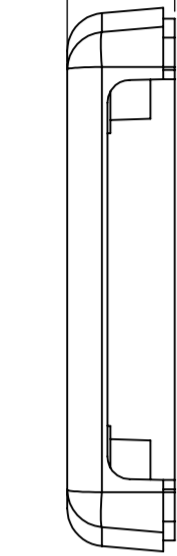


**BASE: 6 SURFACE**

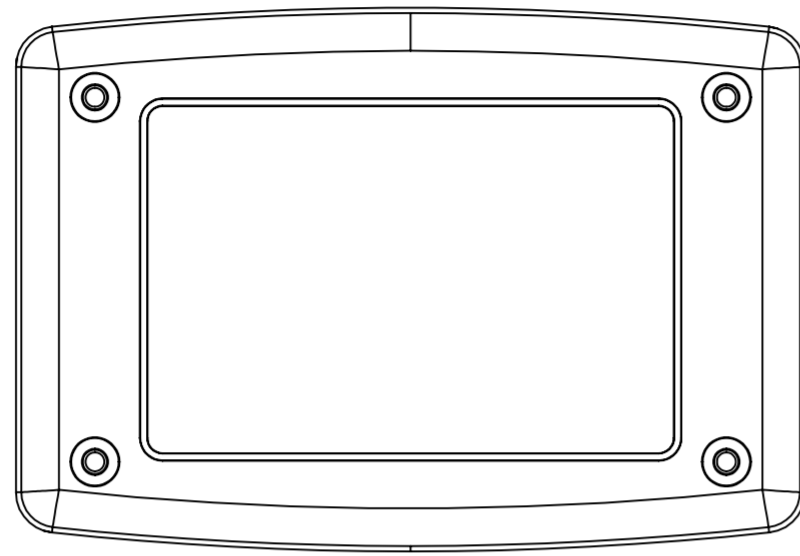


SURFACE-1

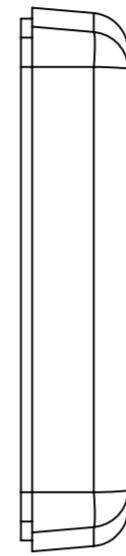
14



SURFACE-3

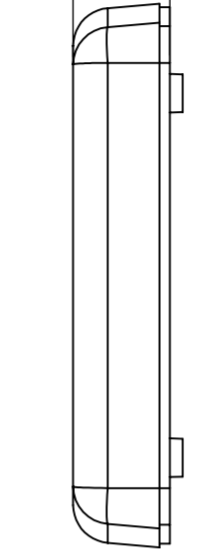


SURFACE-5

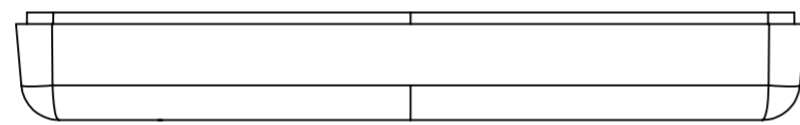


SURFACE-4

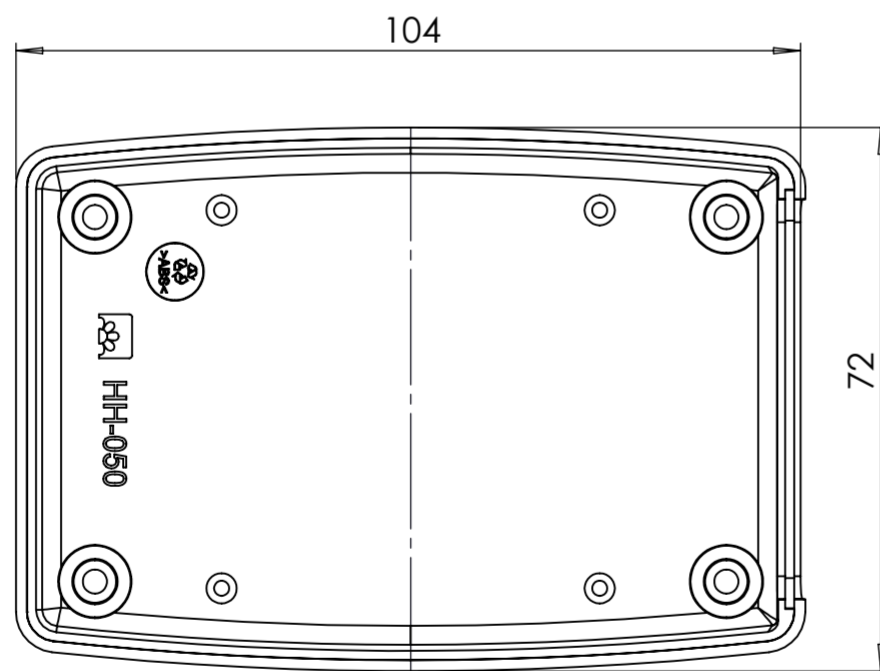
13



SURFACE-9

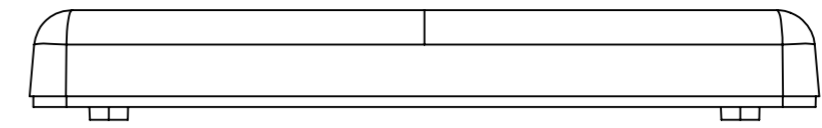


SURFACE-2

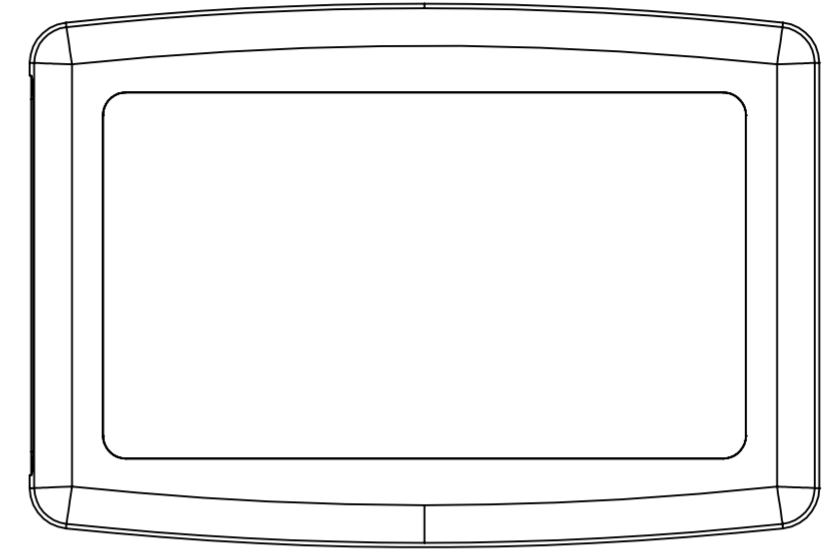


SURFACE-6 (INSIDE)

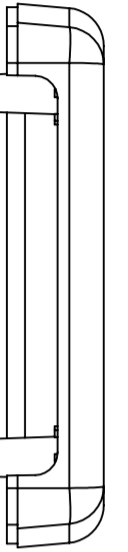
**COVER: 6 SURFACE**



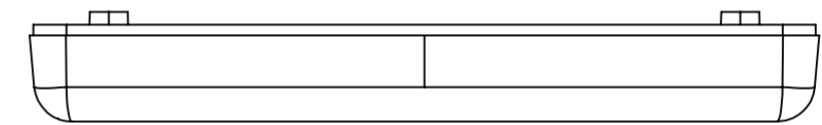
SURFACE-7



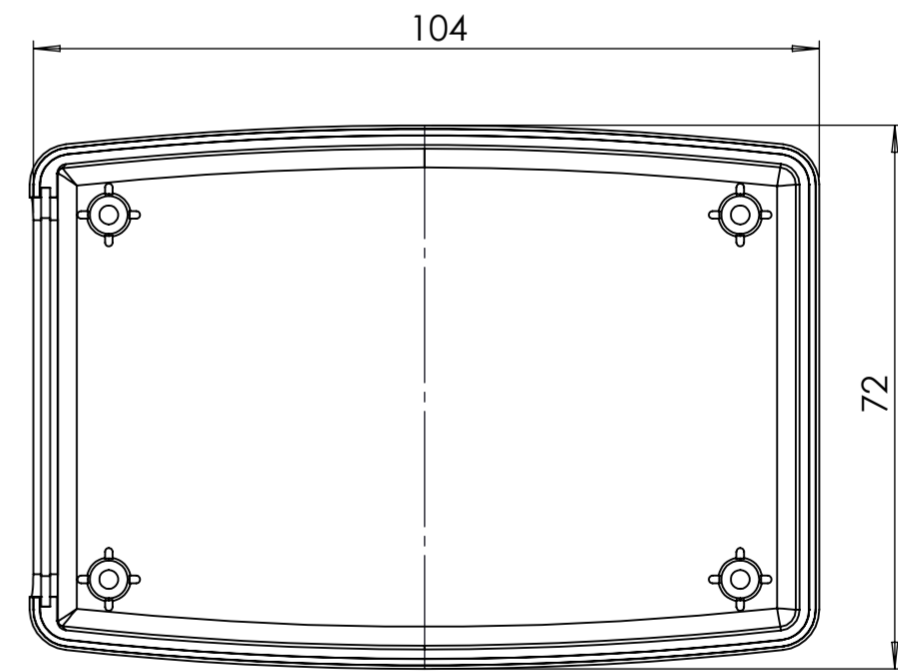
SURFACE-11



SURFACE-10

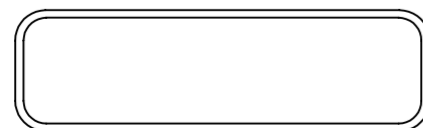


SURFACE-8

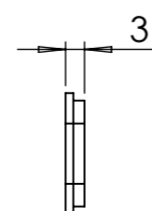


SURFACE-12 (INSIDE)

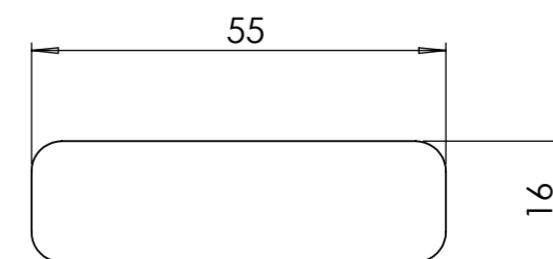
**PANEL: 2 SURFACE**




SURFACE-13



3



SURFACE-14

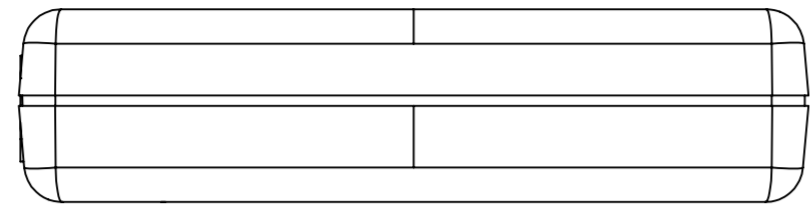
REV. NO	DATE	REVISED BY	DESCRIPTION OF CHANGE
 <b>ALTINKAYA</b> Electronic Enclosures & Components			
Customer Name:		Customer Ref.:	
Allinkaya Ref.:		Part Name: HH-050	
DRAWN	NAME	DATE	Drawn From:
CHECKED	Y.YEL	16.09.2024	Weight:
DIMENSIONAL TOLERANCES (UNLESS OTHERWISE SPECIFIED) (DIN 7148)			
	0,5-3mm	3-6mm	6-30mm
	±0,1	±0,1	±0,2
			±0,3
			±0,5
			mm (medium)

SCALE: 1:1

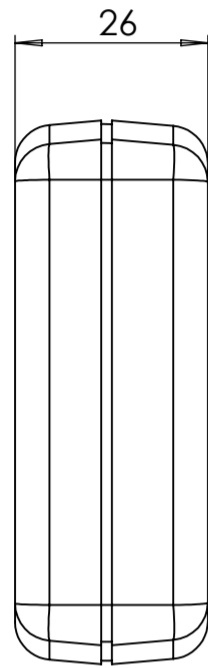
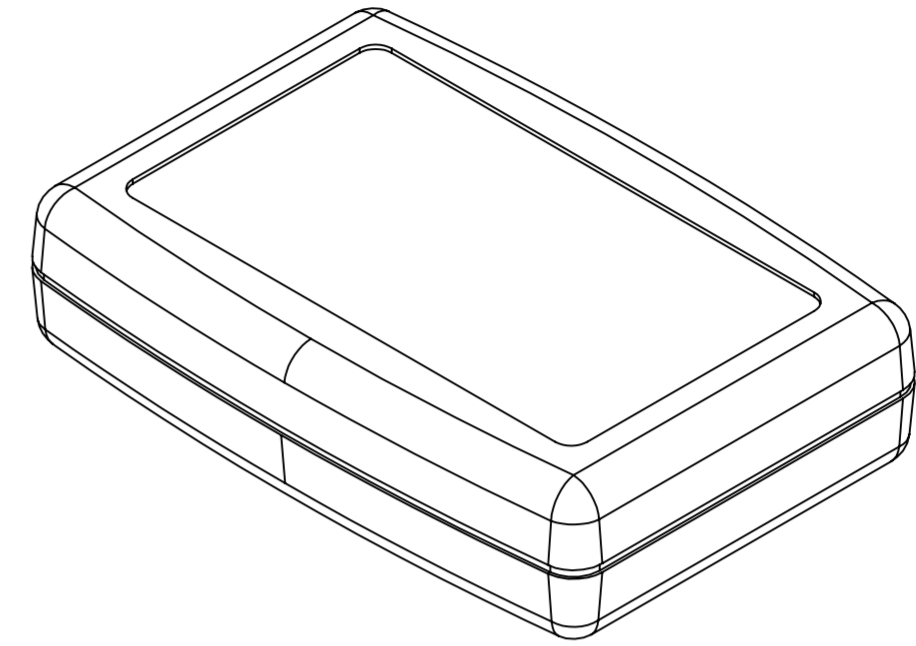
SHEET 1 OF 2

A2

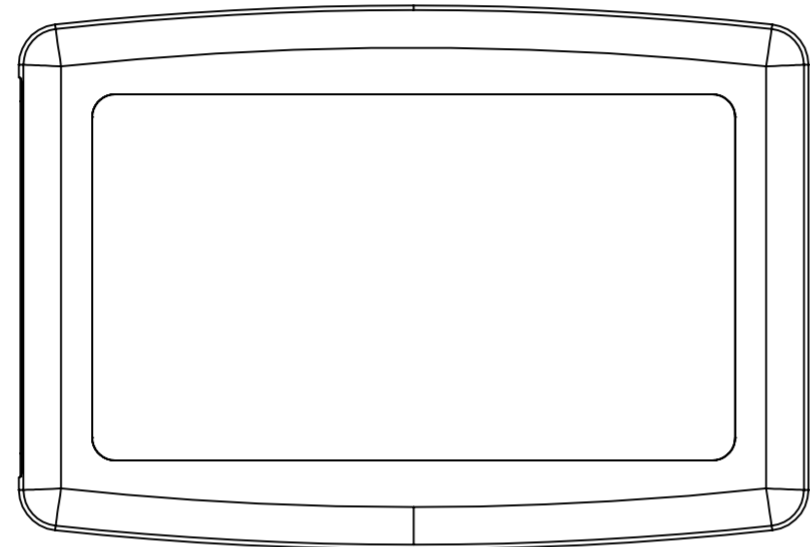
# HH-050 IF MACHINED TOGETHER



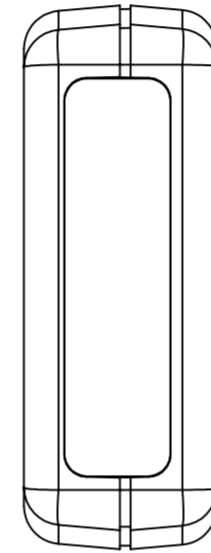
SURFACE-15



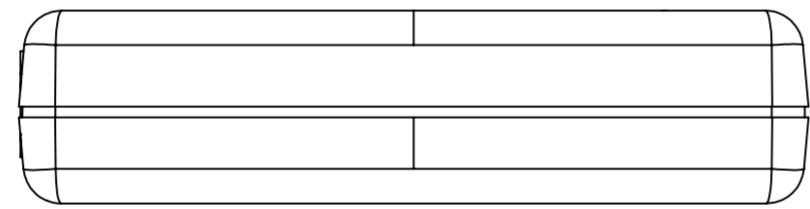
SURFACE-17



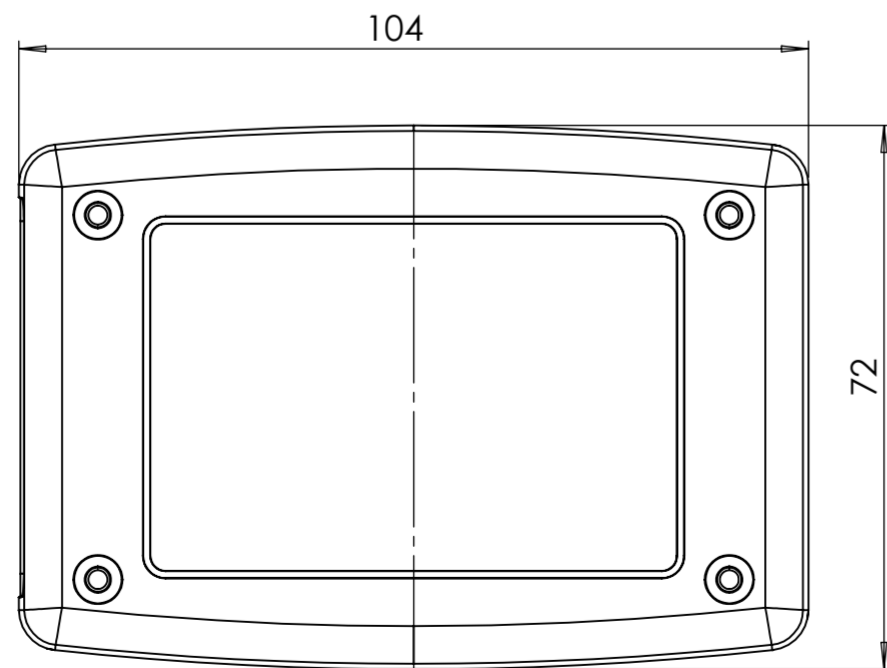
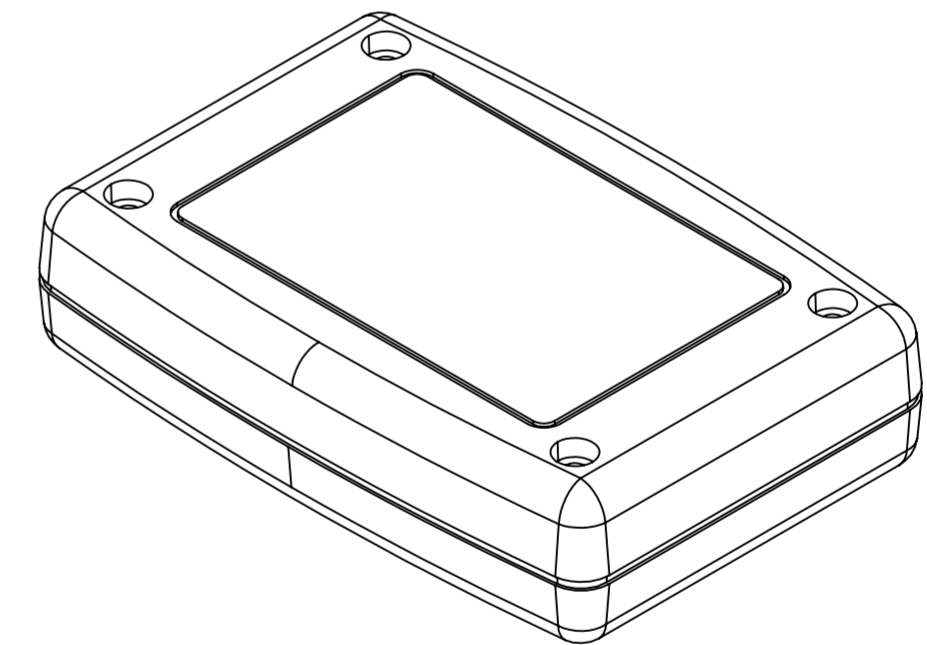
SURFACE-19




SURFACE-18



SURFACE-16



SURFACE-20

REV. NO	DATE	REVISED BY	DESCRIPTION OF CHANGE
			<a href="http://www.altinkaya.com">www.altinkaya.com</a>
Customer Name:		Customer Ref.:	
Altinkaya Ref.:		Part Name: HH-050	
DRAWN	NAME	DATE	Drawn From:
S. YESIL OZ		16.09.2024	
CHECKED	Y. YEL	16.09.2024	Weight:
DIMENSIONAL TOLERANCES UNLESS OTHERWISE SPECIFIED (DIN 7148)			
	0,5-3mm	3-6mm	6-30mm
	±0,1	±0,1	±0,2
			±0,3
			±0,5
			mm (medium)

SCALE: 1:1

SHEET 2 OF 2

A2