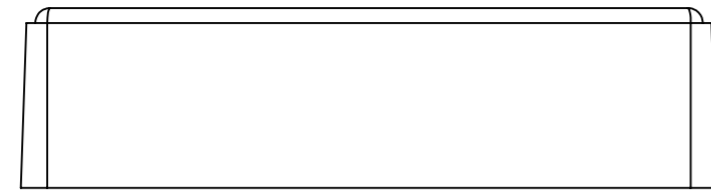
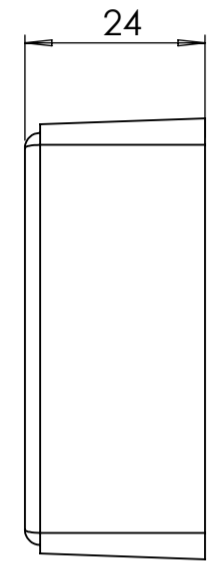


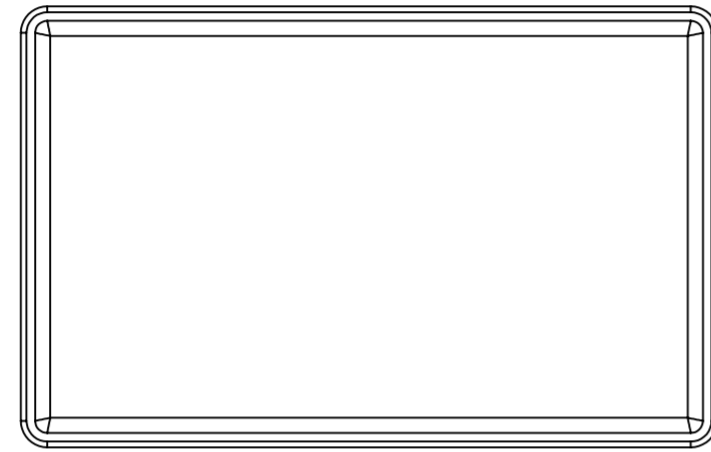
BASE: 6 SURFACE



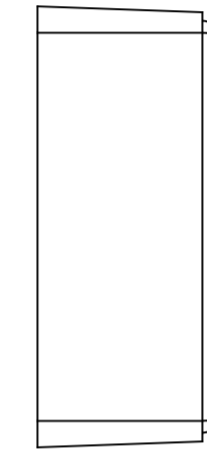
SURFACE-1



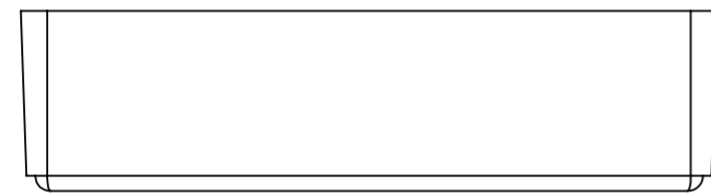
SURFACE-3



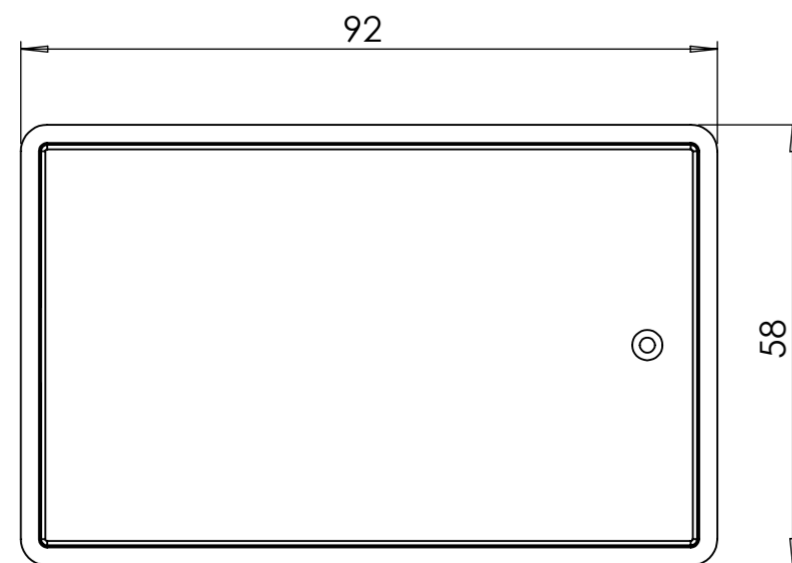
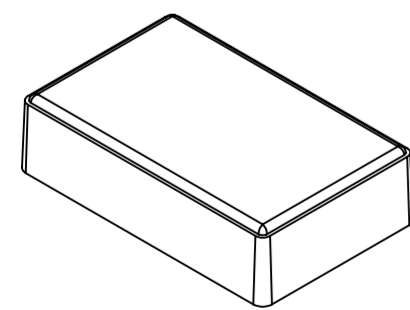
SURFACE-5



SURFACE-4

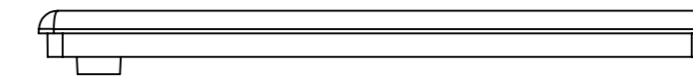


SURFACE-2

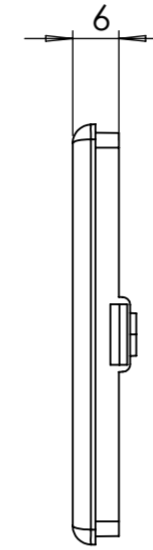


SURFACE-6 (INSIDE)

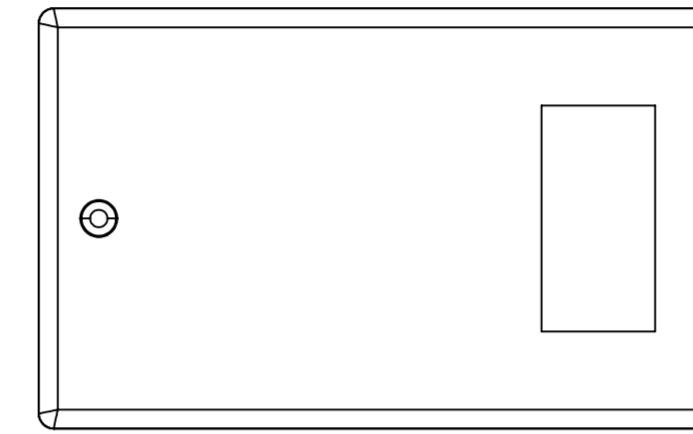
COVER: 6 SURFACE



SURFACE-7



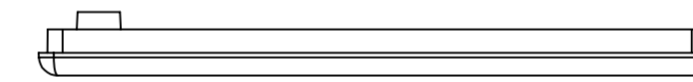
SURFACE-9



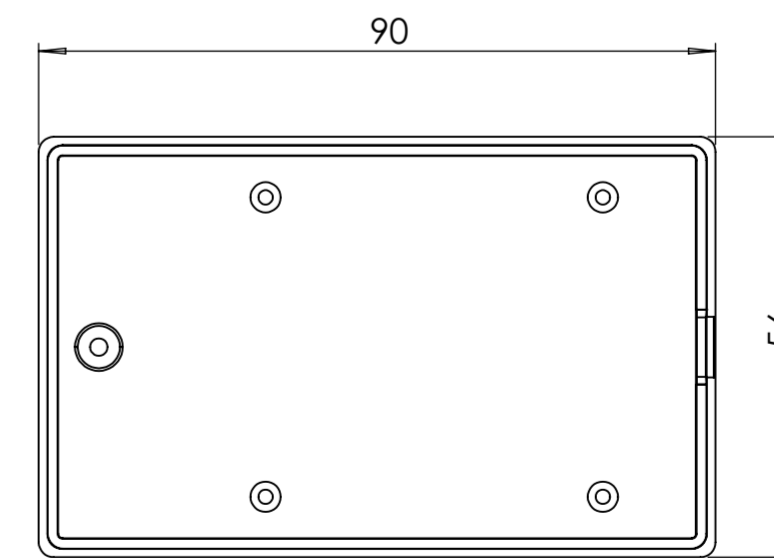
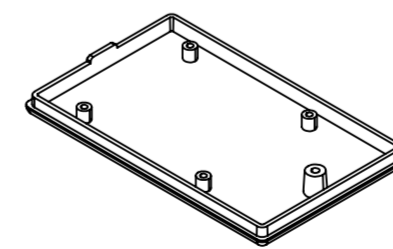
SURFACE-11




SURFACE-10



SURFACE-8



SURFACE-12 (INSIDE)

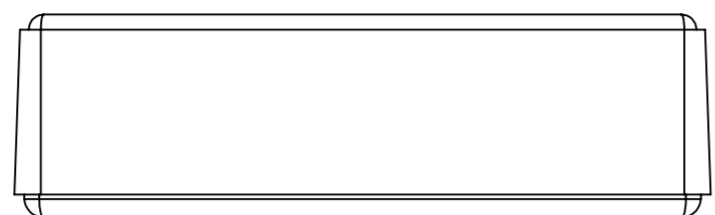
| REV. NO | DATE | REVISED BY | DESCRIPTION OF CHANGE |
|----------------------------------------------------------------------------------------------------------------------------------------------|-------|-----------------------|-----------------------|
|  ALTINKAYA Electronic Enclosures & Components | | | |
| Customer Name: | | Customer Ref.: | |
| Allinkaya Ref.: | | Part Name: HK-020-0-0 | |
| DRAWN | NAME | DATE | Drawn From: |
| CHECKED | Y.YEL | 20.09.2024 | Material: |
| DIMENSIONAL TOLERANCES UNLESS OTHERWISE SPECIFIED (DIN 7148) | | 0,5-3mm | 3-6mm |
| | | 6-30mm | 30-120mm |
| | | 20-400mm | Dimension (mm) |
| | | ±0,1 | ±0,1 |
| | | ±0,2 | ±0,3 |
| | | ±0,5 | m (medium) |

SCALE: 1:1

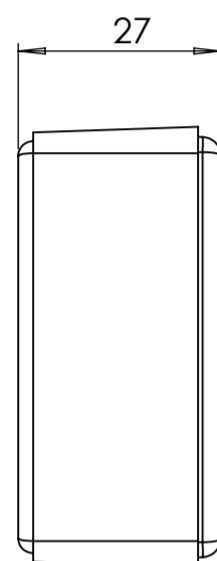
SHEET 1 OF 2

A2

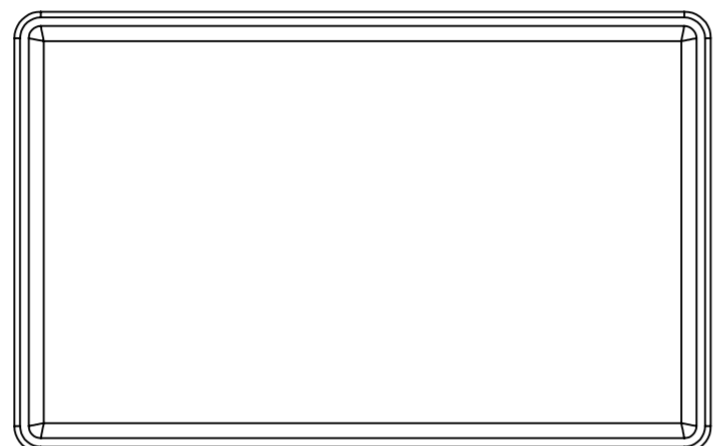
HH-020 IF MACHINED TOGETHER



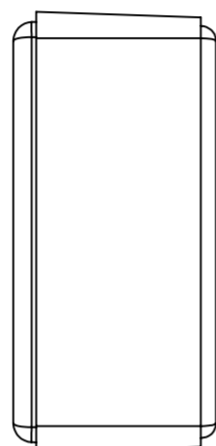
SURFACE-13



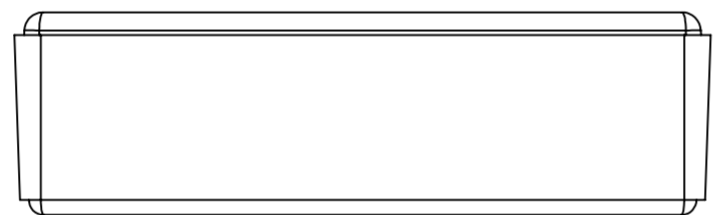
SURFACE-15



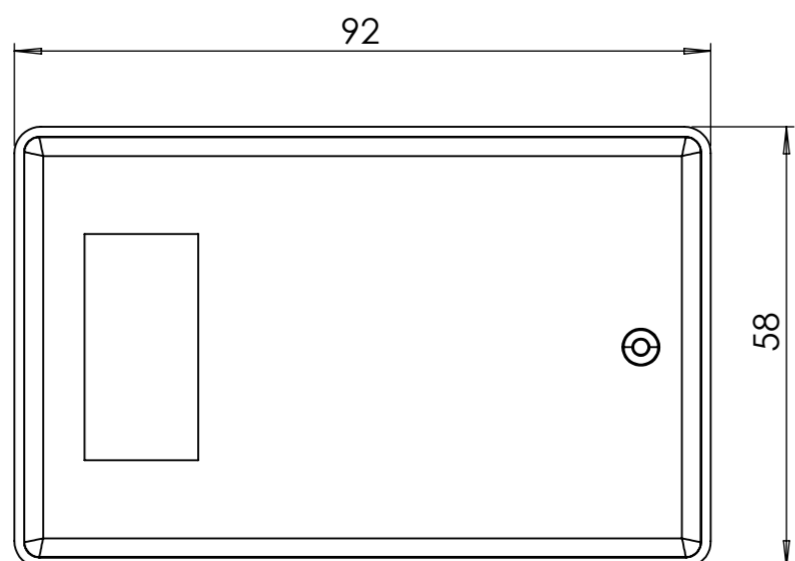
SURFACE-17



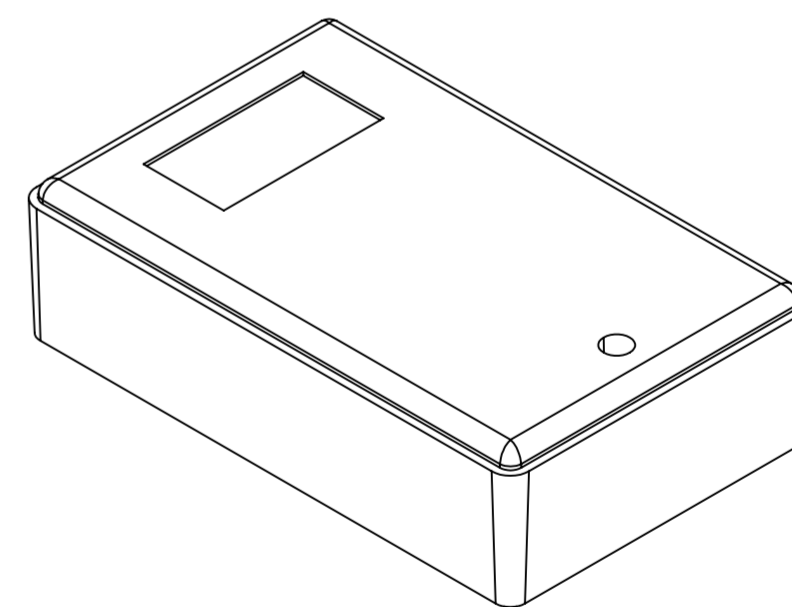
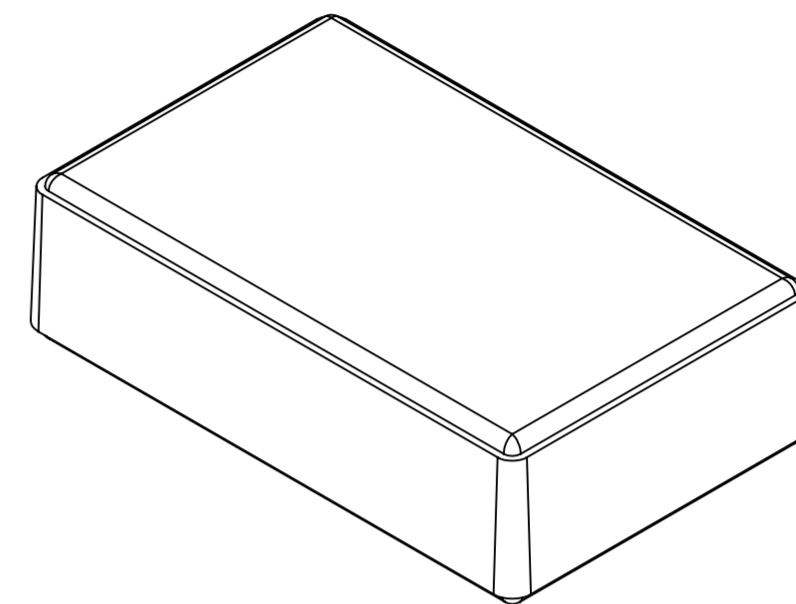
SURFACE-16



SURFACE-14



SURFACE-18



| | | | | | | | | | | | | | | | | | |
|------------------------------------------------------------------------------------------------------------------------------------------------------------------------------------------------------------------------------------------------------------------------------------------------------------------------------------------------------------------------------------------------------------------------------------------------------------------------------------------------------------------------------------------------|------------|-----------------------|----------------------------------------------------------|----------------------------------------------------------------------|----------|----------------|--------|----------|----------|----------------|--|------|------|------|------|------|-------------|
| REV. NO | DATE | REVISED BY | DESCRIPTION OF CHANGE | | | | | | | | | | | | | | |
| ALTINKAYA Electronic Enclosures & Components | | | www.altinkaya.com | | | | | | | | | | | | | | |
| Customer Name: | | Customer Ref.: | | | | | | | | | | | | | | | |
| Altinkaya Ref.: | | Part Name: HH-020-0-0 | | | | | | | | | | | | | | | |
| DRAWN | NAME | DATE | Drawn From: | | | | | | | | | | | | | | |
| | S.YESIL OZ | 20.09.2024 | | | | | | | | | | | | | | | |
| CHECKED | Y.YEL | 20.09.2024 | Weight: | | | | | | | | | | | | | | |
| <table border="1" style="width: 100%; border-collapse: collapse;"> <tr> <td style="width: 15%;">DIMENSIONAL TOLERANCES (UNLESS OTHERWISE SPECIFIED (DIN 7148))</td> <td style="width: 10%;">0,5-3mm</td> <td style="width: 10%;">3-6mm</td> <td style="width: 10%;">6-30mm</td> <td style="width: 10%;">30-120mm</td> <td style="width: 10%;">20-400mm</td> <td style="width: 10%;">Dimension (mm)</td> </tr> <tr> <td></td> <td>±0,1</td> <td>±0,1</td> <td>±0,2</td> <td>±0,3</td> <td>±0,5</td> <td>mm (medium)</td> </tr> </table> | | | | DIMENSIONAL TOLERANCES (UNLESS OTHERWISE SPECIFIED (DIN 7148)) | 0,5-3mm | 3-6mm | 6-30mm | 30-120mm | 20-400mm | Dimension (mm) | | ±0,1 | ±0,1 | ±0,2 | ±0,3 | ±0,5 | mm (medium) |
| DIMENSIONAL TOLERANCES (UNLESS OTHERWISE SPECIFIED (DIN 7148)) | 0,5-3mm | 3-6mm | 6-30mm | 30-120mm | 20-400mm | Dimension (mm) | | | | | | | | | | | |
| | ±0,1 | ±0,1 | ±0,2 | ±0,3 | ±0,5 | mm (medium) | | | | | | | | | | | |
| SCALE: 1:1 | | | SHEET 2 OF 2 | | | | | | | | | | | | | | |