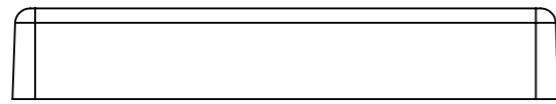
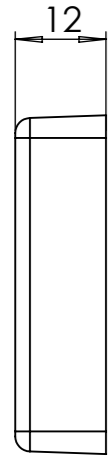


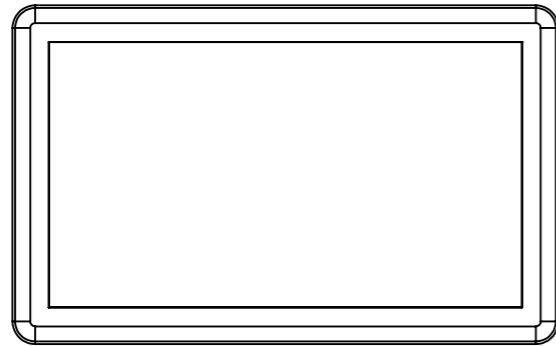
BASE: 6 SURFACE



SURFACE-1



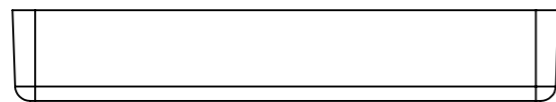
SURFACE-3



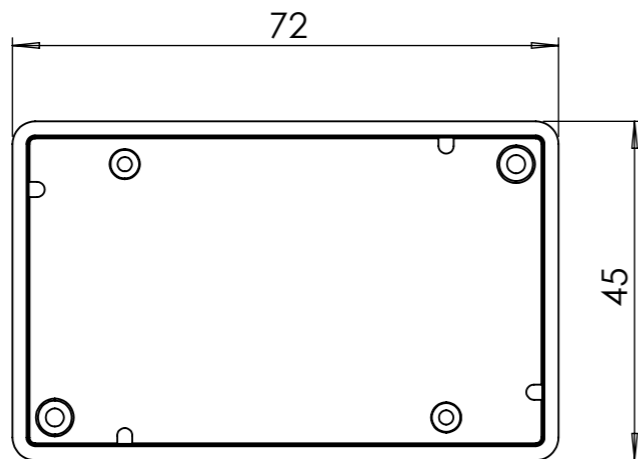
SURFACE-5



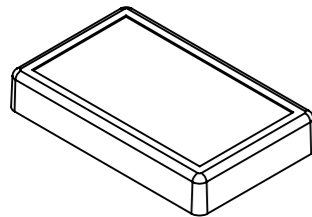
SURFACE-4



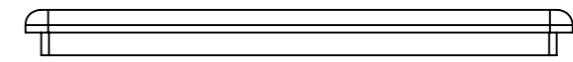
SURFACE-2



SURFACE-6 (INSIDE)



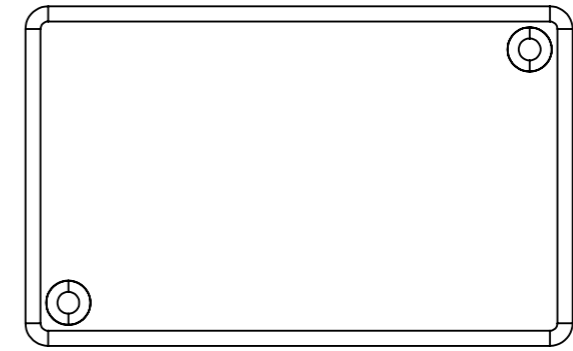
COVER: 6 SURFACE



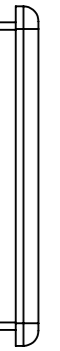
SURFACE-7



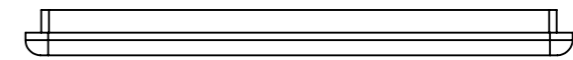
SURFACE-9



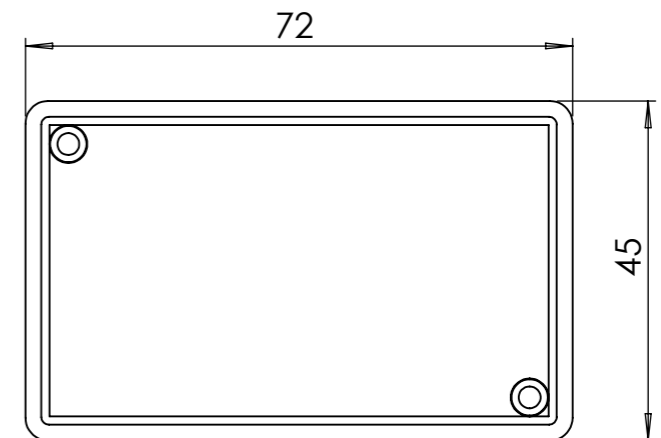
SURFACE-11



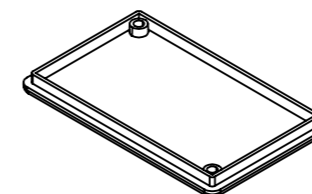
SURFACE-10




SURFACE-8



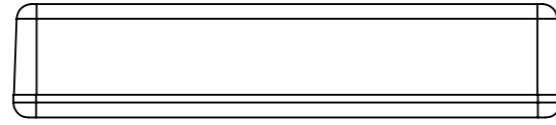
SURFACE-12 (INSIDE)



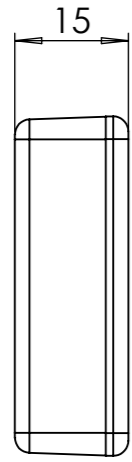
REV. NO	DATE	REVISED BY	DESCRIPTION OF CHANGE				
			www.altinkaya.com				
Customer Name:		Customer Ref:					
Altinkaya Ref :		Part Name : HH-013					
DRAWN		DATE		Material :			
CHECKED		DATE		Weight:			
DIMENSIONAL TOLERANCES UNLESS OTHERWISE SPECIFIED (DIN7168)		0,5-3mm	3-6 mm	6-30mm	30-120mm	120-400mm	UNIT : mm
		±0,1	±0,1	±0,2	±0,3	±0,5	m (medium)
SCALE:1:1						SHEET 1 OF 2	

A3

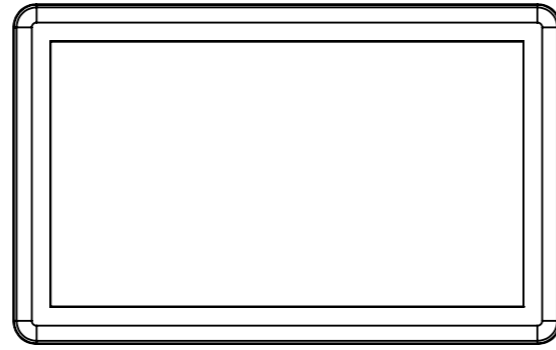
HH-013 IF MACHINED TOGETHER



SURFACE-13



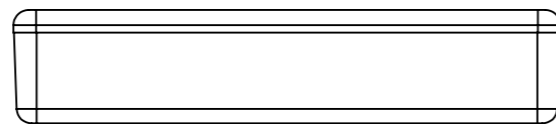
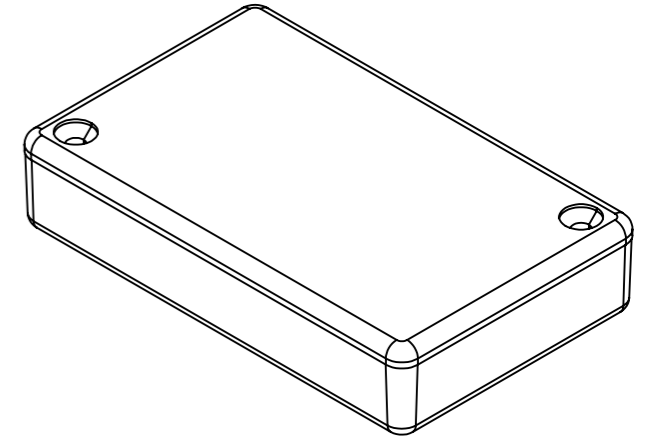
SURFACE-15



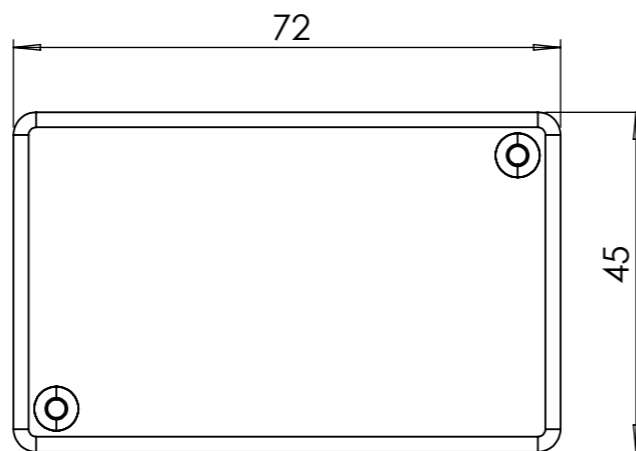
SURFACE-17



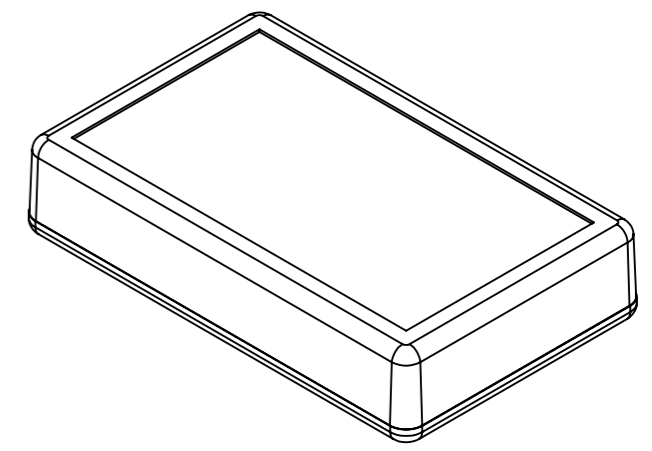
SURFACE-16



SURFACE-14



SURFACE-18



REV. NO	DATE	REVISED BY	DESCRIPTION OF CHANGE				
ALTINKAYA Electronic Enclosures & Components			www.altinkaya.com				
Customer Name:		Customer Ref:					
Altinkaya Ref :		Part Name : HH-013					
NAME		DATE		Drawn From:			
DRAWN	S. YESILOZ	20.09.2024		Material :			
CHECKED	Y. YEL	20.09.2024		Weight:			
DIMENSIONAL TOLERANCES UNLESS OTHERWISE SPECIFIED (DIN7168)		0,5-3mm	3-6 mm	6-30mm	30-120mm	120-400mm	UNIT : mm
		±0,1	±0,1	±0,2	±0,3	±0,5	Dimension (mm) m (medium)
SCALE:1:1						A3	
SHEET 2 OF 2						⊕	