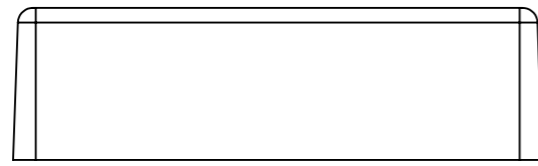
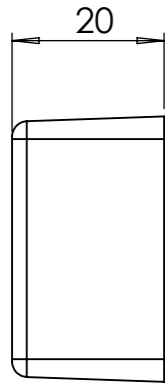


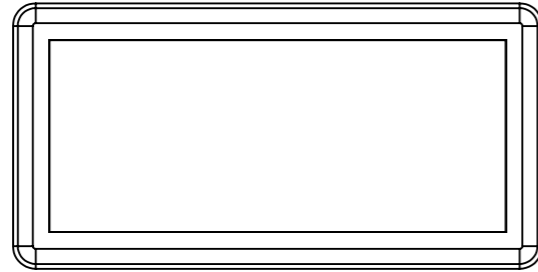
BASE: 6 SURFACE



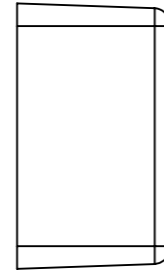
SURFACE-1



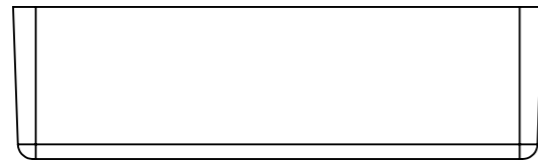
SURFACE-3



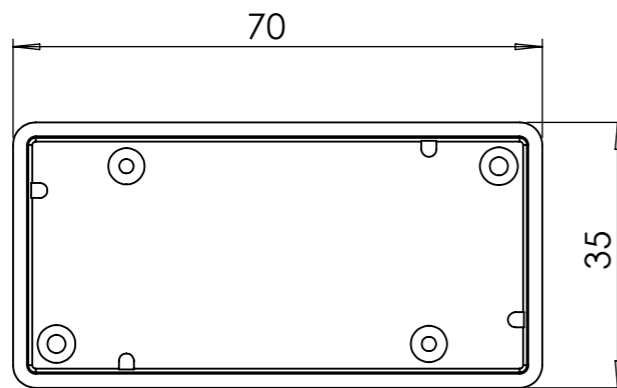
SURFACE-5



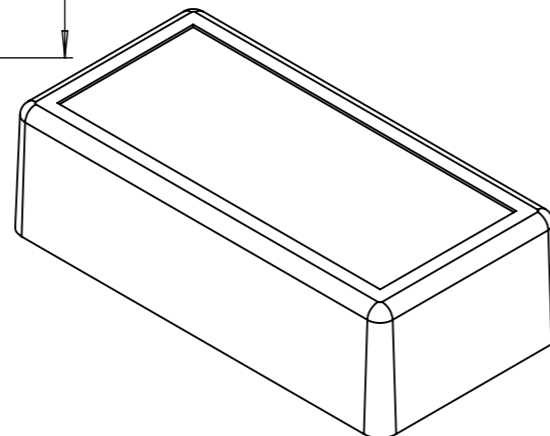
SURFACE-4



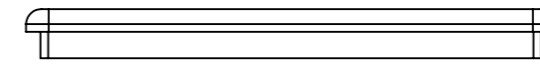
SURFACE-2



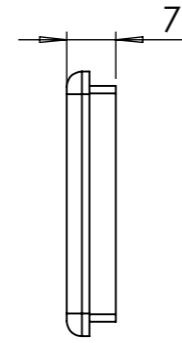
SURFACE-6 (INSIDE)



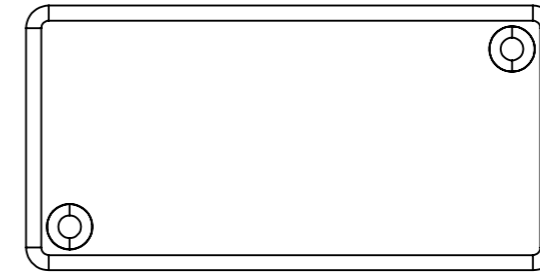
COVER: 6 SURFACE



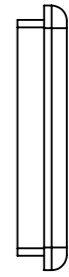
SURFACE-7



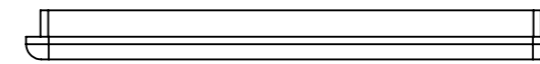
SURFACE-9



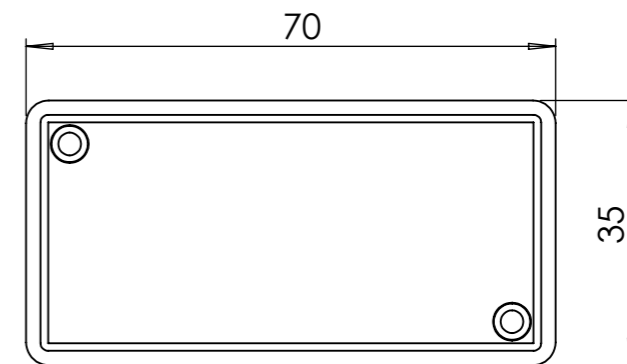
SURFACE-11



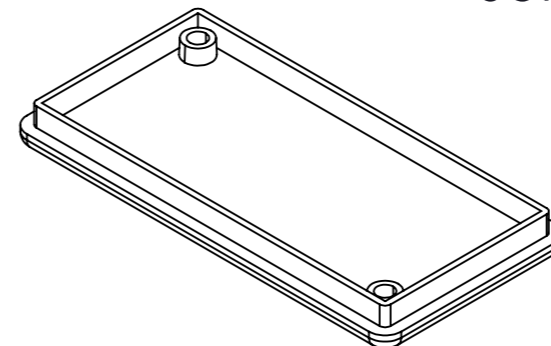
SURFACE-10




SURFACE-8



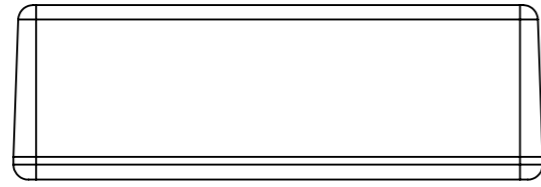
SURFACE-12 (INSIDE)



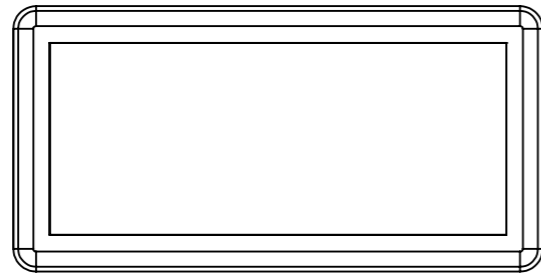
REV. NO	DATE	REVISED BY	DESCRIPTION OF CHANGE				
			www.altinkaya.com				
Customer Name:		Customer Ref:					
Altinkaya Ref :		Part Name : HH-009					
DRAWN	NAME	DATE	Drawn From:				
CHECKED	Y. YEL	20.09.2024	Material :	UNIT : mm			
DIMENSIONAL TOLERANCES UNLESS OTHERWISE SPECIFIED (DIN7168)		0,5-3mm	3-6 mm	6-30mm	30-120mm	120-400mm	Dimension (mm)
		±0,1	±0,1	±0,2	±0,3	±0,5	m (medium)
SCALE:1:1						SHEET 1 OF 2	

A3

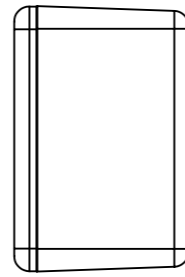
HH-009 IF MACHINED TOGETHER



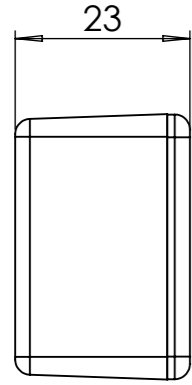
SURFACE-13



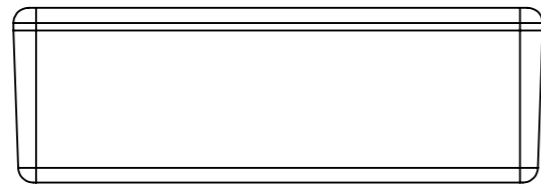
SURFACE-17



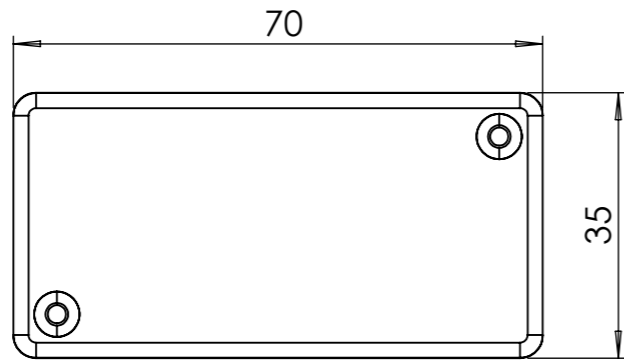
SURFACE-16



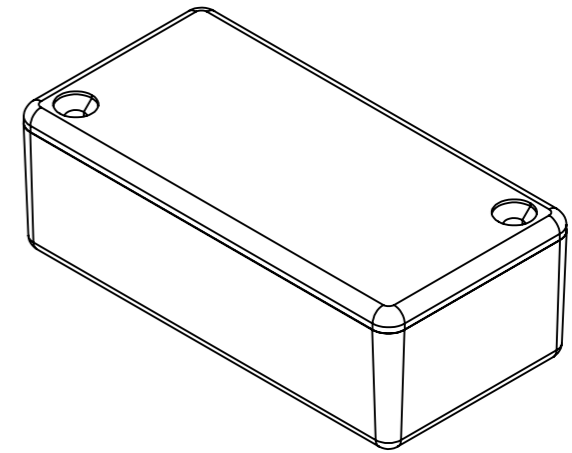
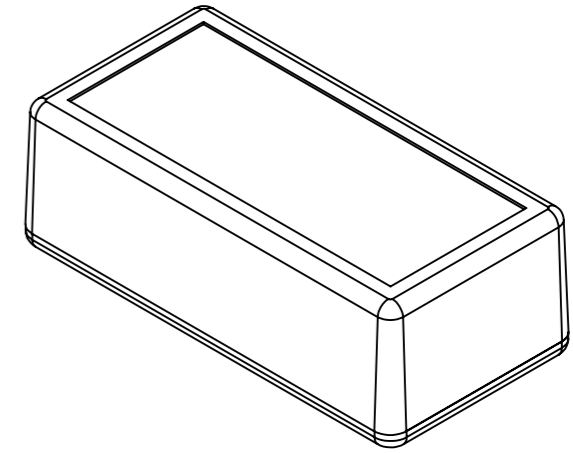
SURFACE-15



SURFACE-14



SURFACE-18



REV. NO	DATE	REVISED BY	DESCRIPTION OF CHANGE		
ALTINKAYA Electronic Enclosures & Components			www.altinkaya.com		
Customer Name:		Customer Ref:			
Altinkaya Ref :		Part Name : HH-009			
DRAWN		DATE		Drawn From:	
S. YESILOZ		20.09.2024		Material :	
CHECKED		DATE		Weight: g	
Y. YEL		20.09.2024		UNIT : mm	
DIMENSIONAL TOLERANCES UNLESS OTHERWISE SPECIFIED (DIN7168)					
0,5-3mm		3-6 mm		6-30mm	
±0,1		±0,1		±0,2	
				±0,3	
				±0,5	
Dimension (mm)					
m (medium)					
SCALE:1:1				SHEET 2 OF 2	

A3

