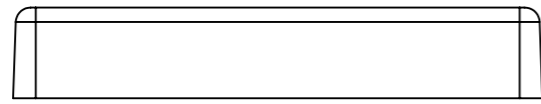
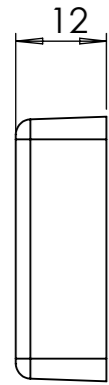


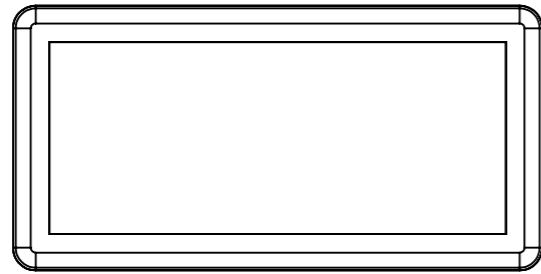
BASE: 6 SURFACE



SURFACE-1



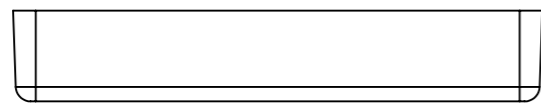
SURFACE-3



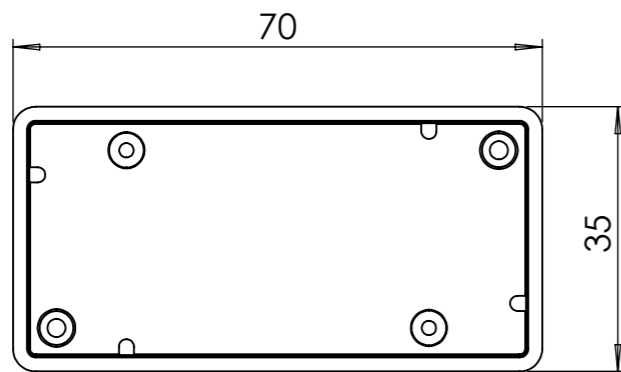
SURFACE-5



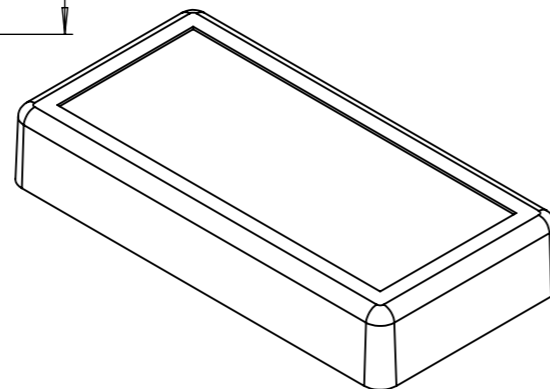
SURFACE-4



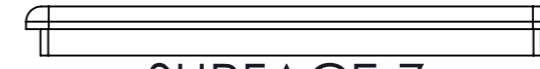
SURFACE-2



SURFACE-6 (INSIDE)



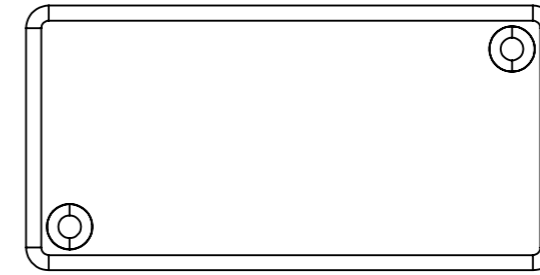
COVER: 6 SURFACE



SURFACE-7



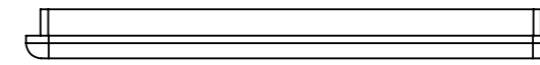
SURFACE-9



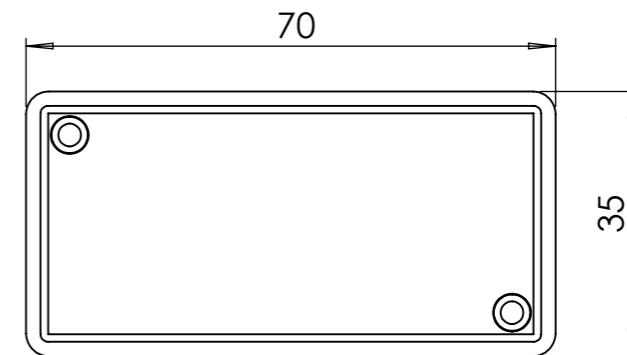
SURFACE-11



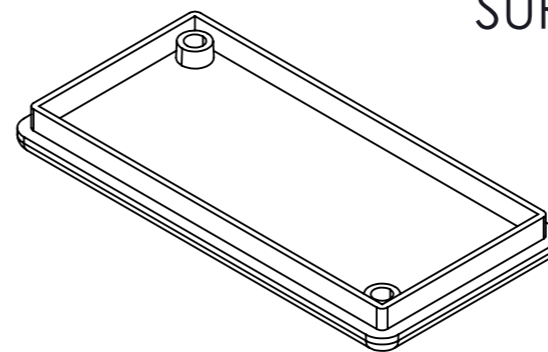
SURFACE-10




SURFACE-8



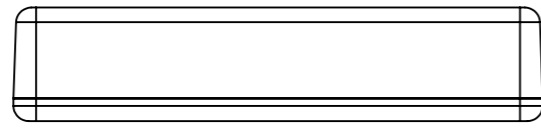
SURFACE-12 (INSIDE)



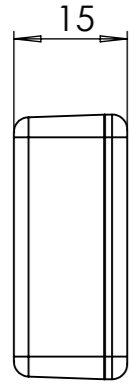
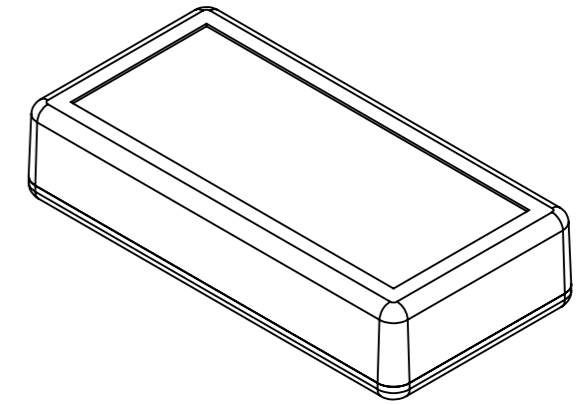
REV. NO	DATE	REVISED BY	DESCRIPTION OF CHANGE		
			www.altinkaya.com		
Customer Name:		Customer Ref:			
Altinkaya Ref :		Part Name : HH-008			
NAME		DATE	Drawn From:		
DRAWN	S. YESILOZ	20.09.2024	Material :		
CHECKED	Y. YEL	20.09.2024	Weight:	g	UNIT : mm
DIMENSIONAL TOLERANCES UNLESS OTHERWISE SPECIFIED (DIN7168)			0,5-3mm	3-6 mm	6-30mm
			±0,1	±0,1	±0,2
			30-120mm	120-400mm	Dimension (mm)
			±0,3	±0,5	m (medium)
SCALE:1:1					SHEET 1 OF 2

A3

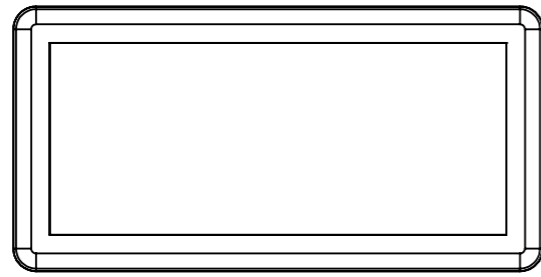
HH-008 IF MACHINED TOGETHER



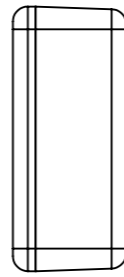
SURFACE-13



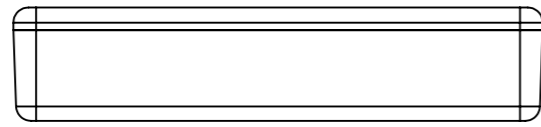
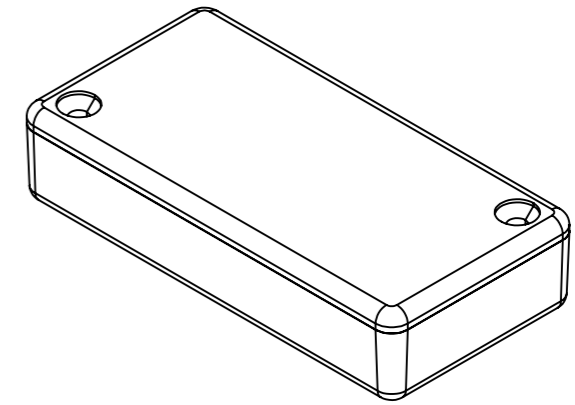
SURFACE-15



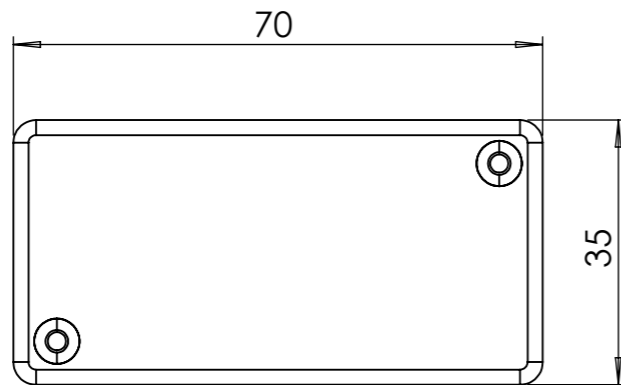
SURFACE-17



SURFACE-16



SURFACE-14



SURFACE-18

REV. NO	DATE	REVISED BY	DESCRIPTION OF CHANGE		
ALTINKAYA Electronic Enclosures & Components			www.altinkaya.com		
Customer Name:		Customer Ref:			
Altinkaya Ref :		Part Name : HH-008			
	NAME	DATE	Drawn From:		
DRAWN	S. YESILOZ	20.09.2024	Material :		
CHECKED	Y. YEL	20.09.2024	Weight:	g	UNIT : mm
DIMENSIONAL TOLERANCES UNLESS OTHERWISE SPECIFIED (DIN7168)			0,5-3mm	3-6 mm	6-30mm
			±0,1	±0,1	±0,2
			30-120mm	120-400mm	Dimension (mm)
			±0,3	±0,5	m (medium)
SCALE:1:1					A3
SHEET 2 OF 2					⊕