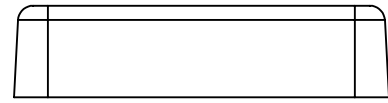


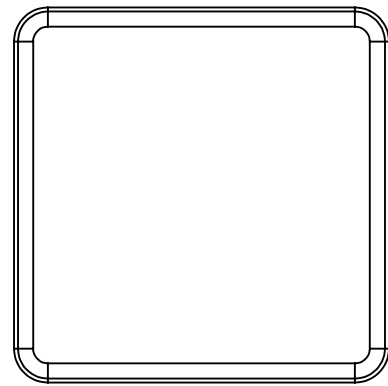
BASE: 6 SURFACE



SURFACE-1



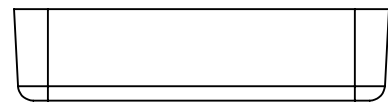
SURFACE-3



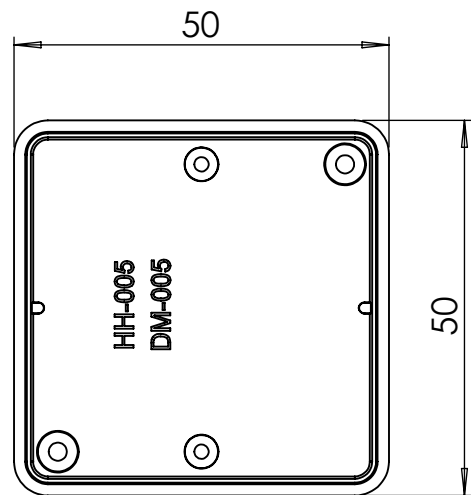
SURFACE-5



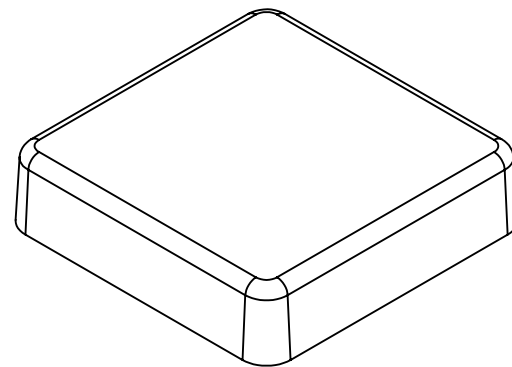
SURFACE-4



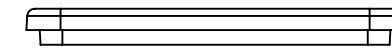
SURFACE-2



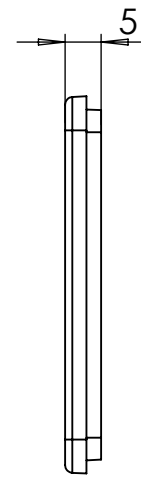
SURFACE-6 (INSIDE)



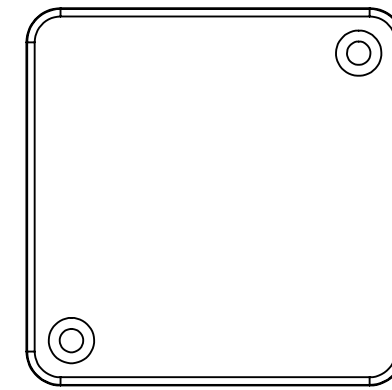
COVER: 6 SURFACE



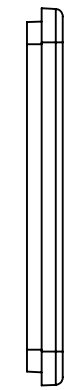
SURFACE-7



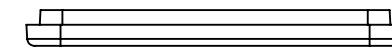
SURFACE-9



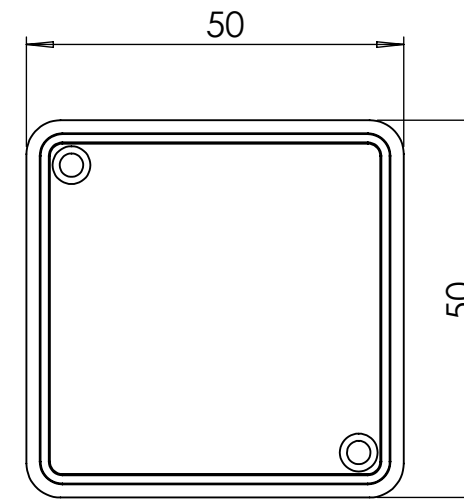
SURFACE-11



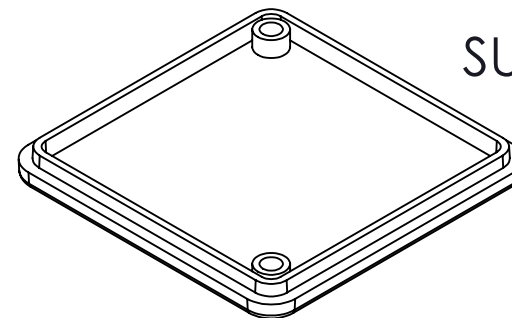
SURFACE-10




SURFACE-8



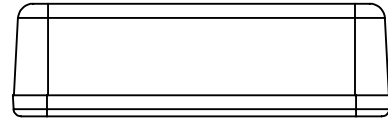
SURFACE-12 (INSIDE)



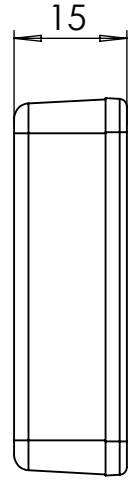
REV. NO	DATE	REVISED BY	DESCRIPTION OF CHANGE		
 ALTINKAYA Electronic Enclosures & Components			www.altinkaya.com		
Customer Name:		Customer Ref:			
Altinkaya Ref :		Part Name : HH-005			
DRAWN		DATE		Material :	
S. YESILOZ		20.09.2024			
CHECKED		DATE		Weight: g	
Y. YEL		20.09.2024			
DIMENSIONAL TOLERANCES UNLESS OTHERWISE SPECIFIED (DIN7188)					
0,5-3mm		3-6 mm		6-30mm	
±0,1		±0,1		±0,2	
				±0,3	
				±0,5	
				UNIT : mm	
				Dimension (mm)	
				m (medium)	
				SCALE:1:1	
				SHEET 1 OF 2	

A3

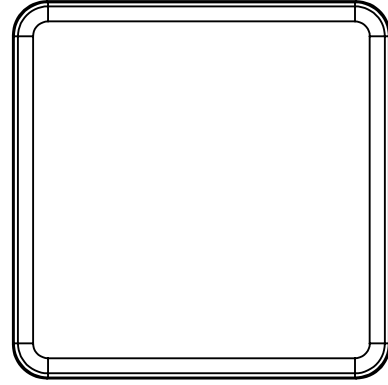
HH-005 IF MACHINED TOGETHER



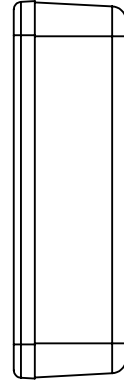
SURFACE-13



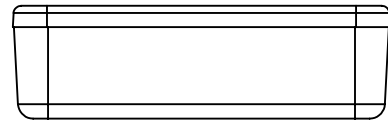
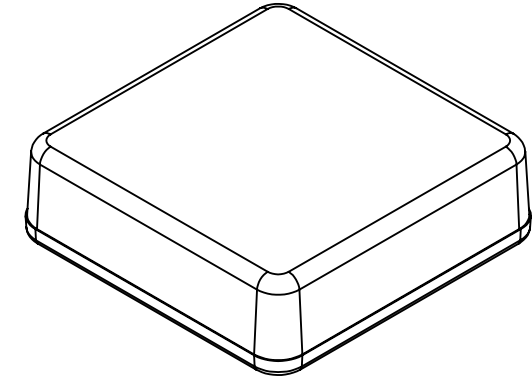
SURFACE-15



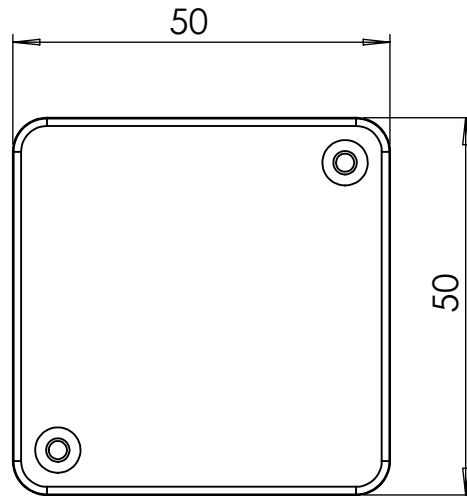
SURFACE-17



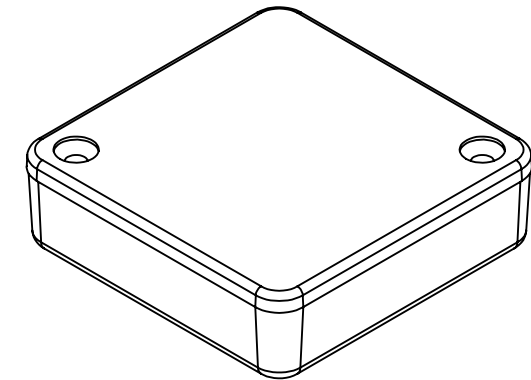
SURFACE-16



SURFACE-14



SURFACE-18



REV. NO	DATE	REVISED BY	DESCRIPTION OF CHANGE		
ALTINKAYA Electronic Enclosures & Components			www.altinkaya.com		
Customer Name:		Customer Ref:			
Altinkaya Ref :		Part Name : HH-005			
	NAME	DATE	Drawn From:		
DRAWN	S. YESILOZ	20.09.2024	Material :		
CHECKED	Y. YEL	20.09.2024	Weight:	g	UNIT : mm
DIMENSIONAL TOLERANCES UNLESS OTHERWISE SPECIFIED (DIN7168)			0,5-3mm	3-6 mm	6-30mm
			±0,1	±0,1	±0,2
			30-120mm	120-400mm	Dimension (mm)
			±0,3	±0,5	m (medium)
SCALE:1:1					A3
SHEET 2 OF 2					⊕