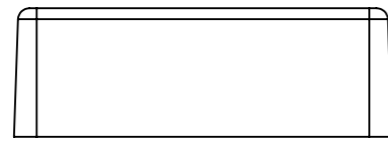
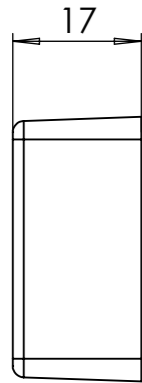


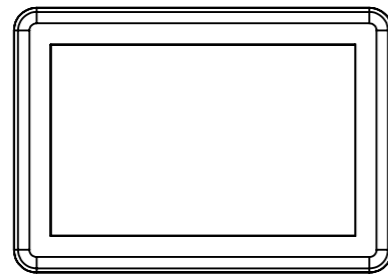
# BASE: 6 SURFACE



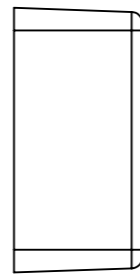
SURFACE-1



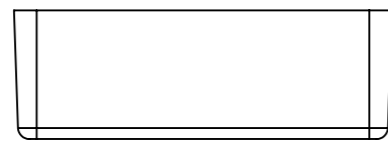
SURFACE-3



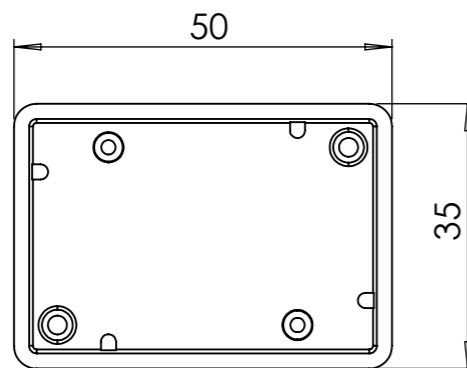
SURFACE-5



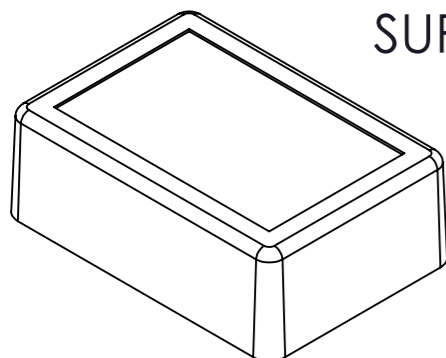
SURFACE-4



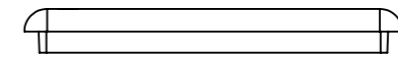
SURFACE-2



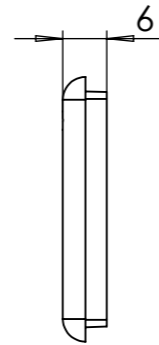
SURFACE-6 (INSIDE)



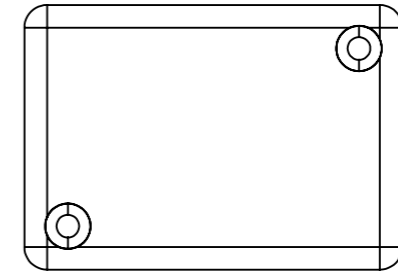
# COVER: 6 SURFACE



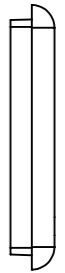
SURFACE-7



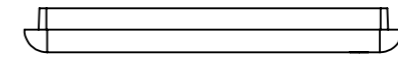
SURFACE-9



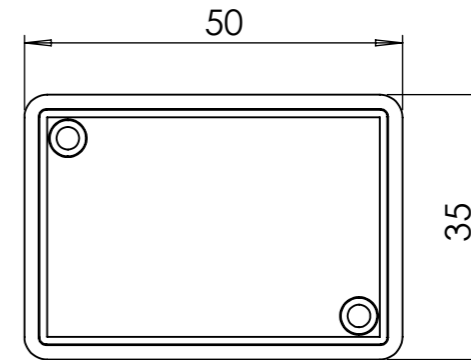
SURFACE-11



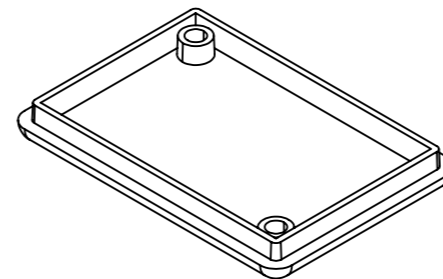
SURFACE-10




SURFACE-8



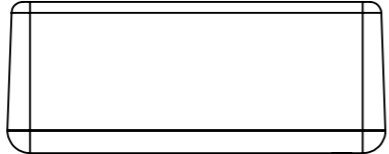
SURFACE-12 (INSIDE)



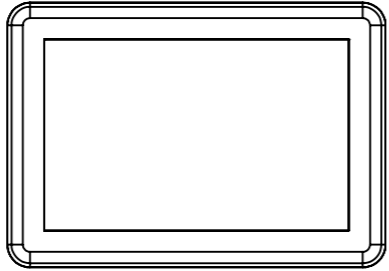
REV. NO	DATE	REVISED BY	DESCRIPTION OF CHANGE		
			<a href="http://www.altinkaya.com">www.altinkaya.com</a>		
Customer Name:		Customer Ref:			
Altinkaya Ref :		Part Name : HH-004			
DRAWN	NAME	DATE	Drawn From:		
CHECKED	Y. YEL	20.09.2024	Material :	UNIT : mm	
<small>DIMENSIONAL TOLERANCES UNLESS OTHERWISE SPECIFIED (DIN7168)</small>			Weight: g	Dimension (mm)	
			±0.1	±0.1	±0.2
			±0.3	±0.5	m (medium)
SCALE:1:1					SHEET 1 OF 2

A3

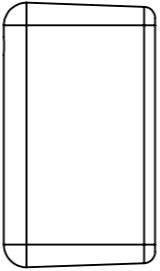
# HH-004 IF MACHINED TOGETHER



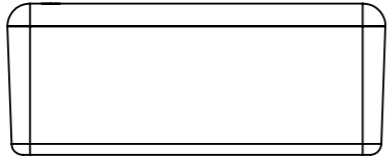
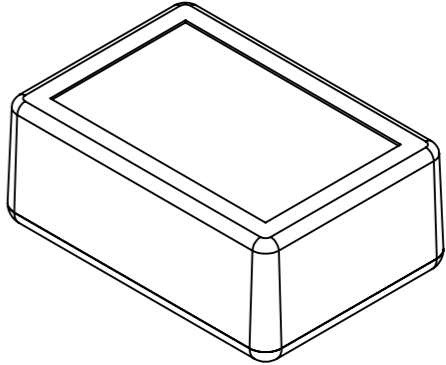
SURFACE-13



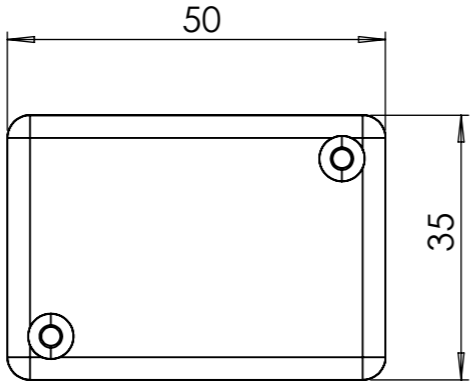
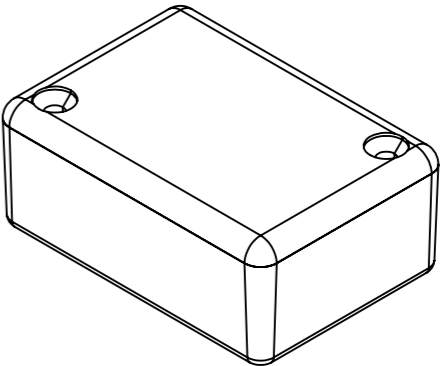
SURFACE-17



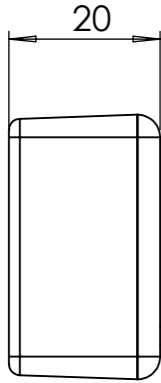
SURFACE-16



SURFACE-14



SURFACE-18



SURFACE-15

REV. NO	DATE	REVISED BY	DESCRIPTION OF CHANGE		
<b>ALTINKAYA</b> Electronic Enclosures & Components			<a href="http://www.altinkaya.com">www.altinkaya.com</a>		
Customer Name:		Customer Ref:			
Altinkaya Ref :		Part Name : HH-004			
NAME		DATE		Drawn From:	
DRAWN	S. YESILOZ	20.09.2024		Material :	
CHECKED	Y. YEL	20.09.2024		Weight:	g
DIMENSIONAL TOLERANCES UNLESS OTHERWISE SPECIFIED (DIN7168)					
		0,5-3mm	3-6 mm	6-30mm	30-120mm
		±0,1	±0,1	±0,2	±0,3
				120-400mm	±0,5
				m (medium)	
				SCALE:1:1	SHEET 2 OF 2

A3

