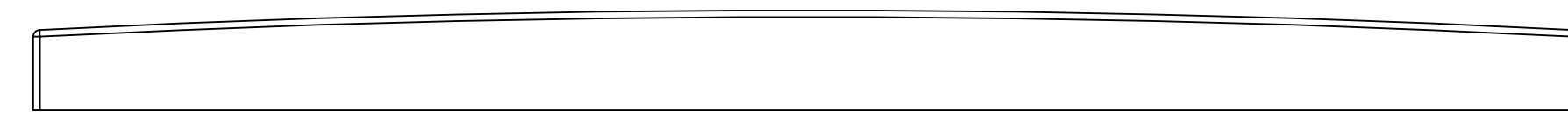
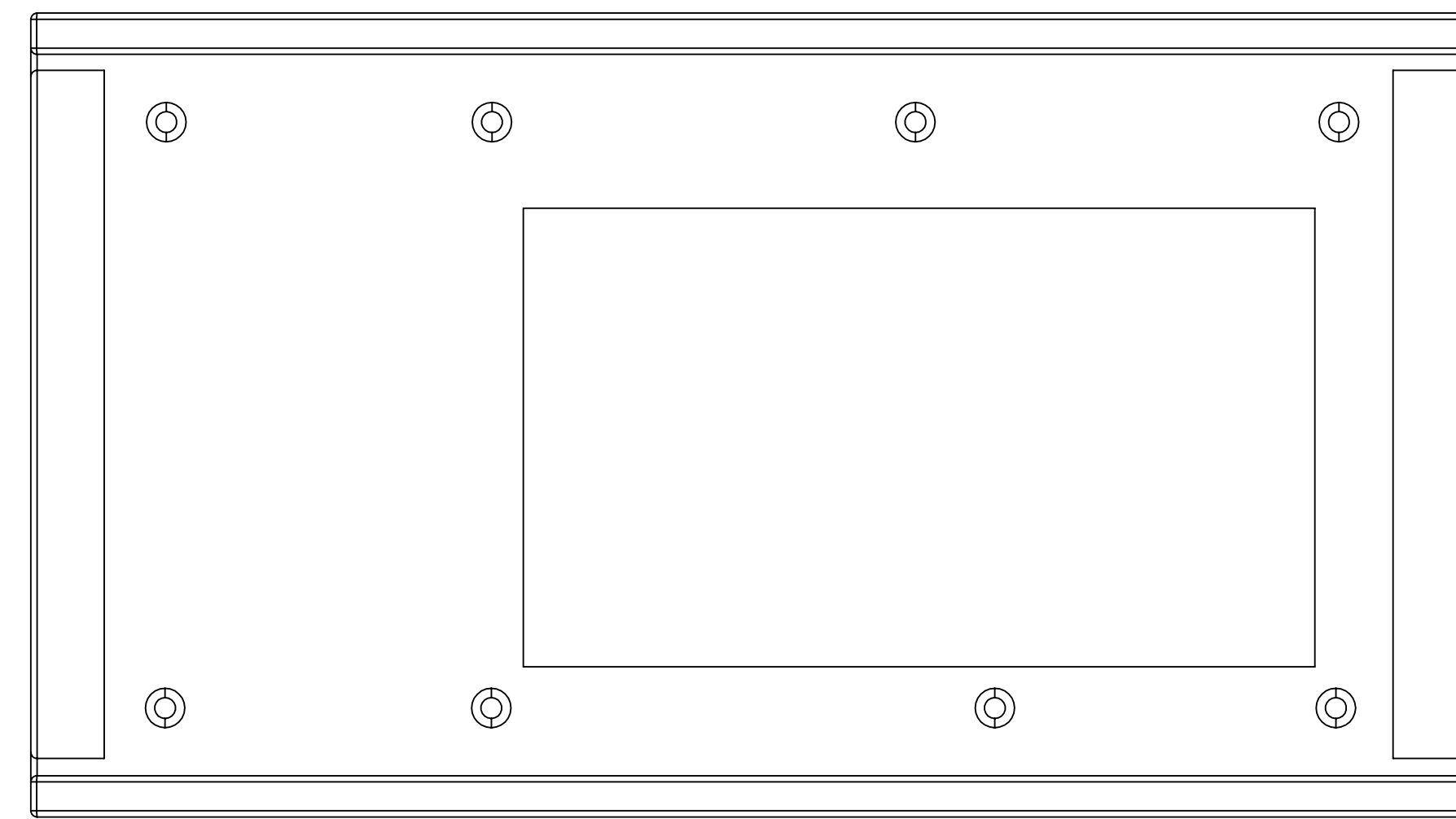


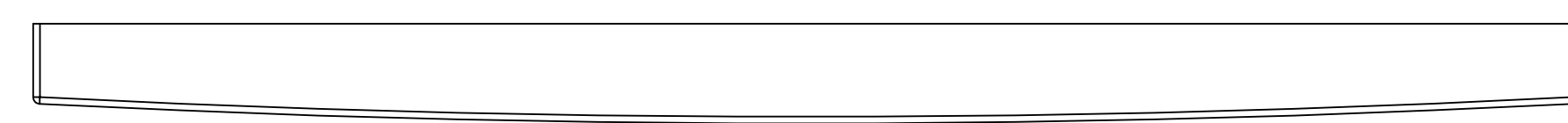
BASE: 6 SURFACE



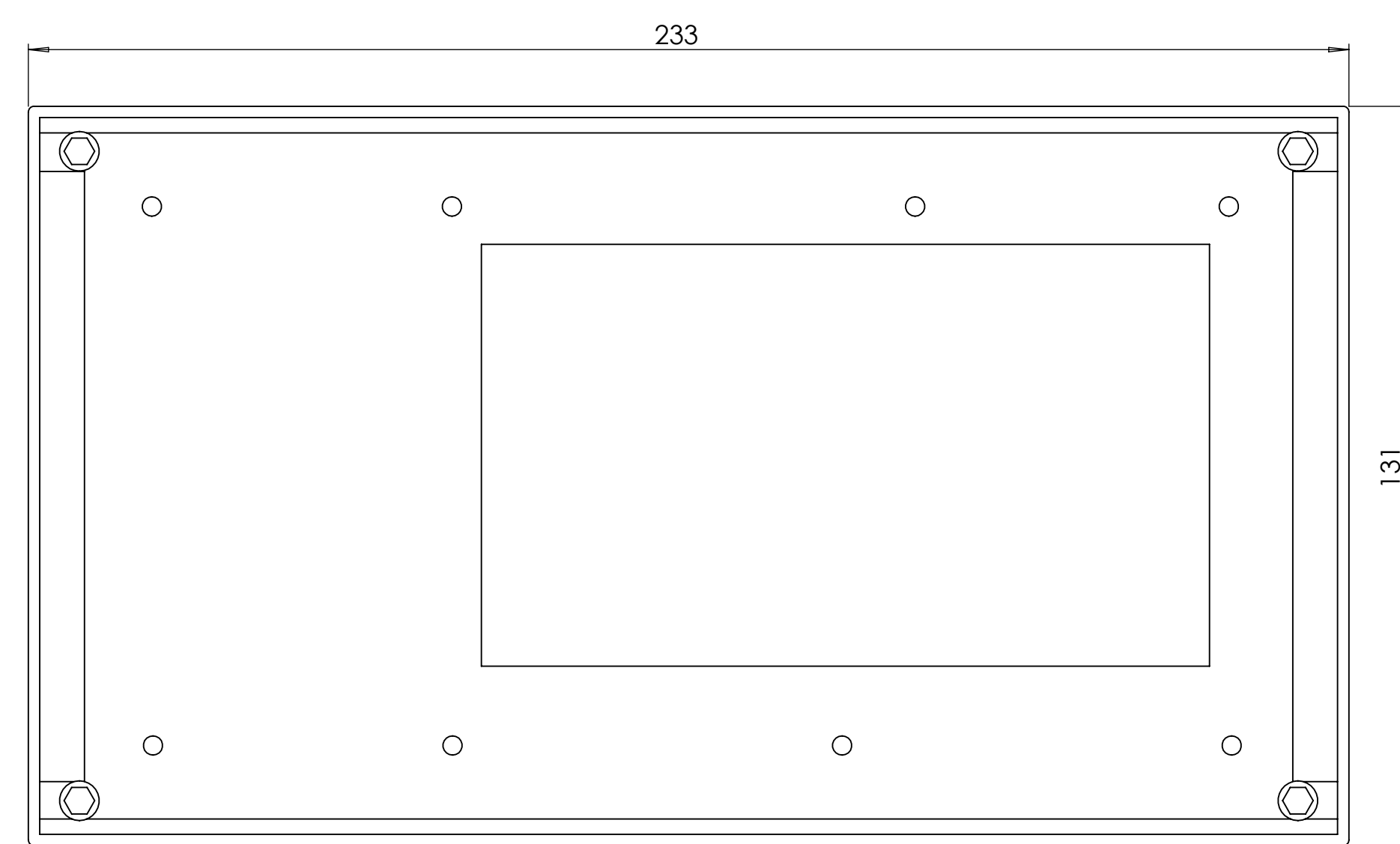
SURFACE-1



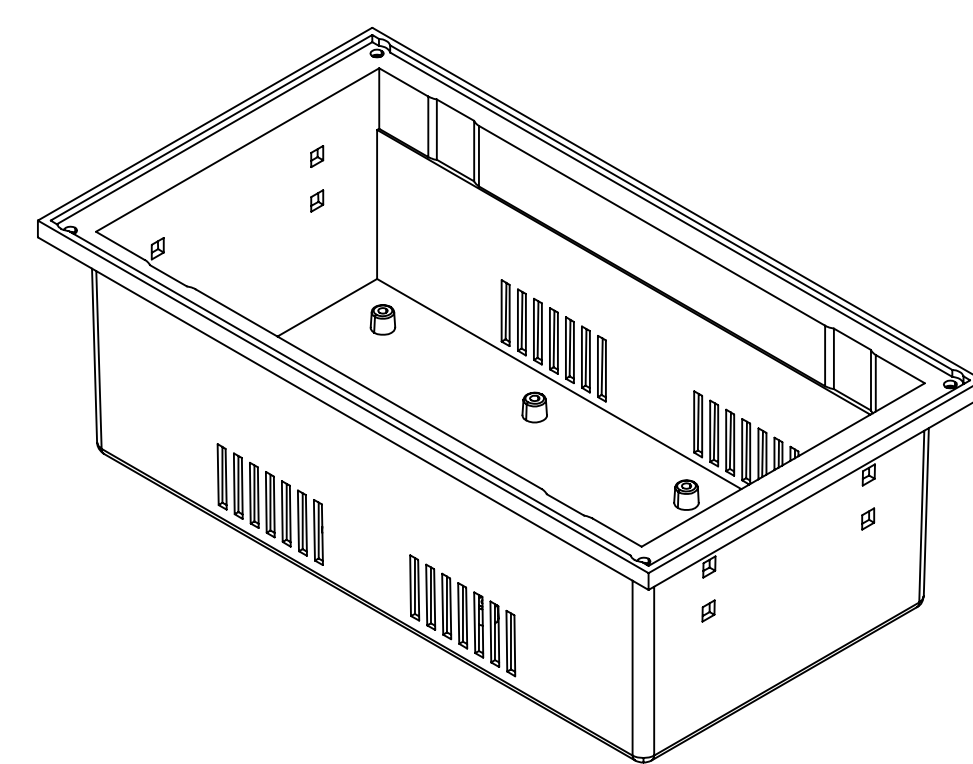
SURFACE-5



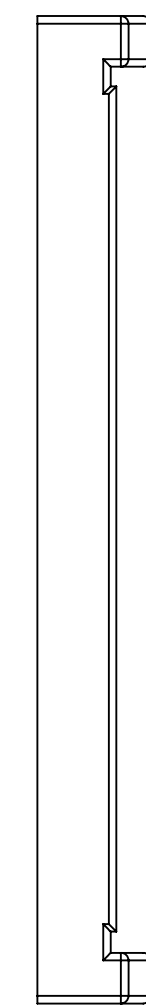
SURFACE-2



SURFACE-6 (INSIDE)



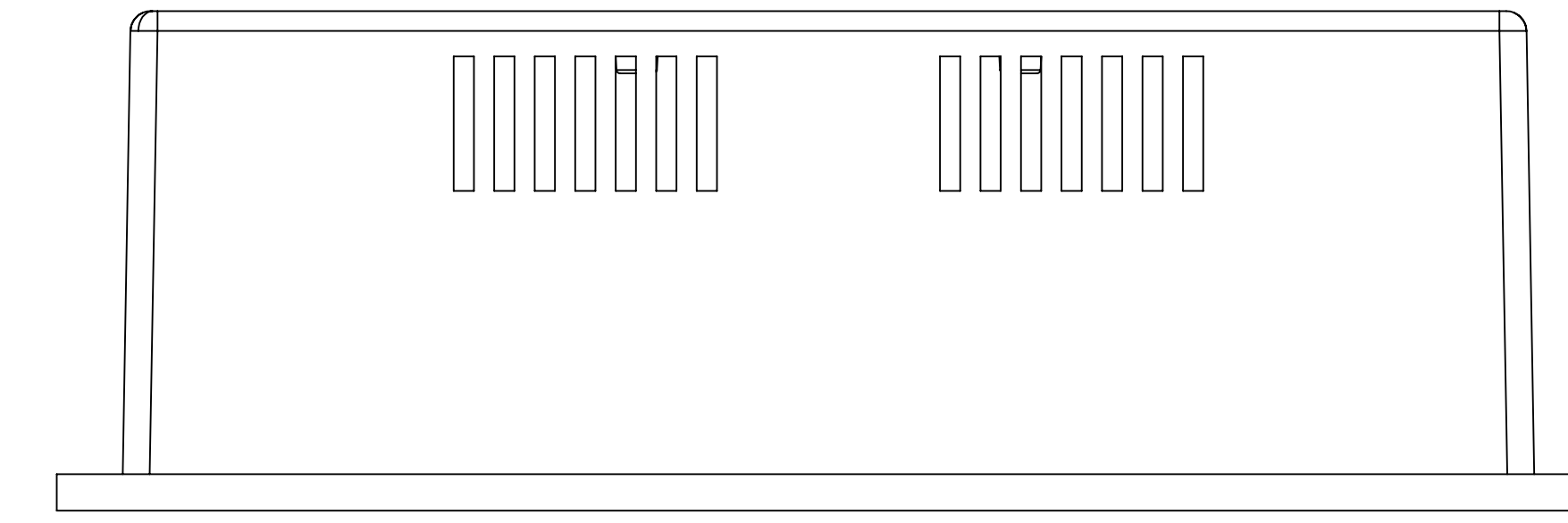
SURFACE-4



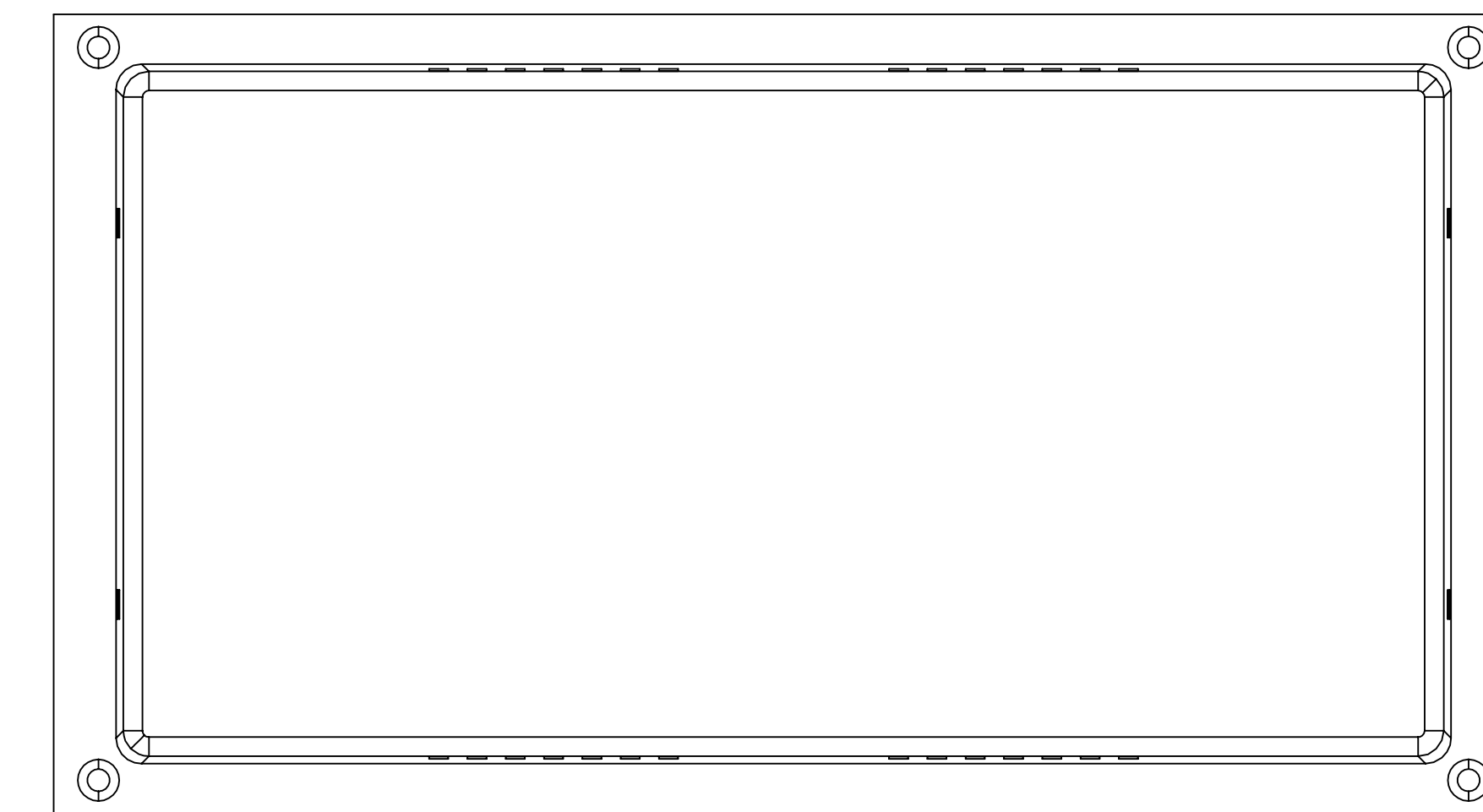
15

SURFACE-3

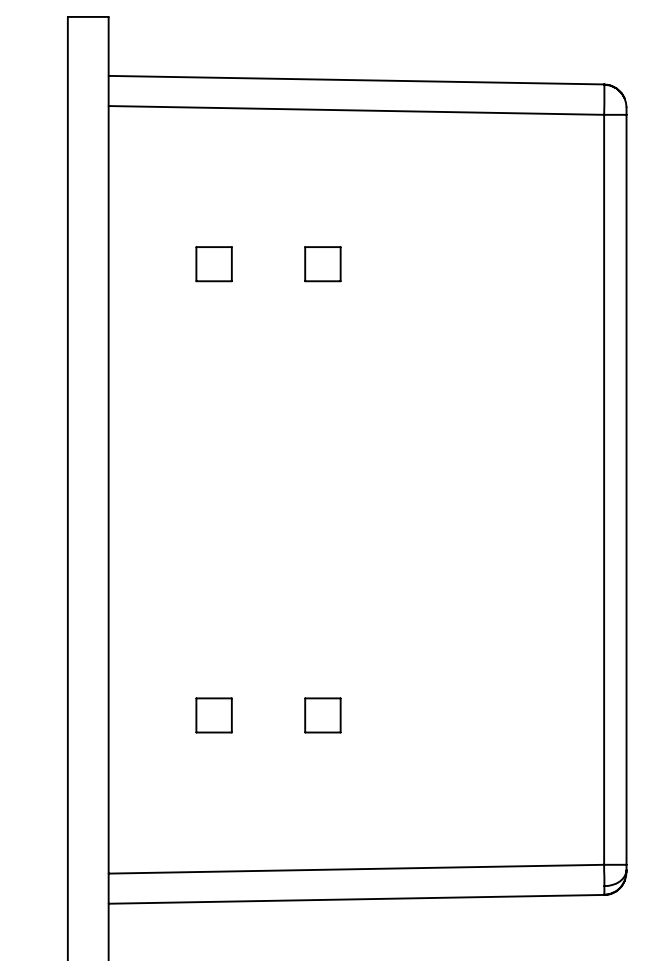
COVER: 6 SURFACE



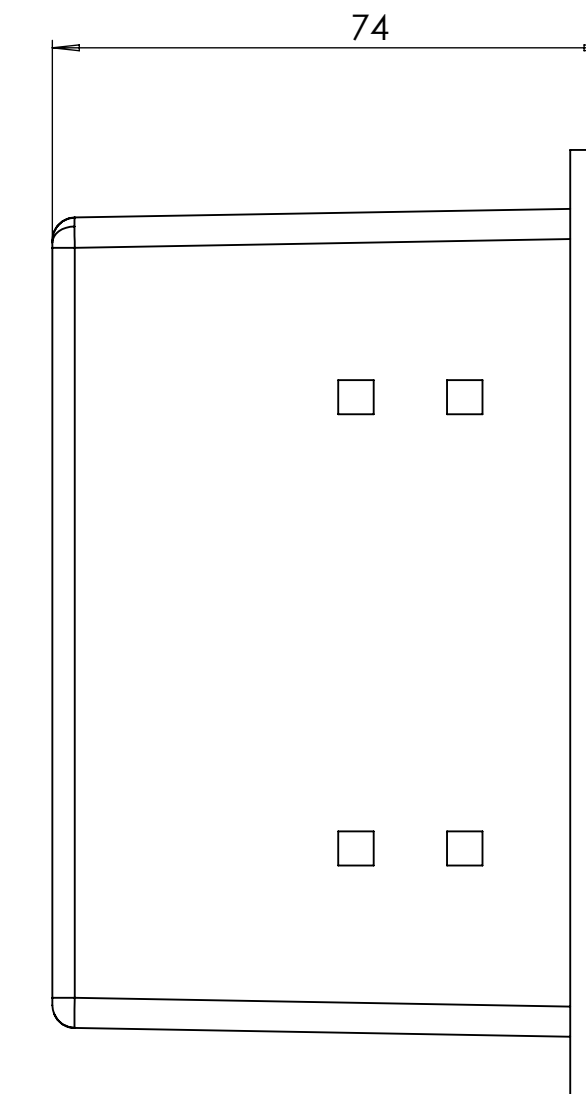
SURFACE-7



SURFACE-10

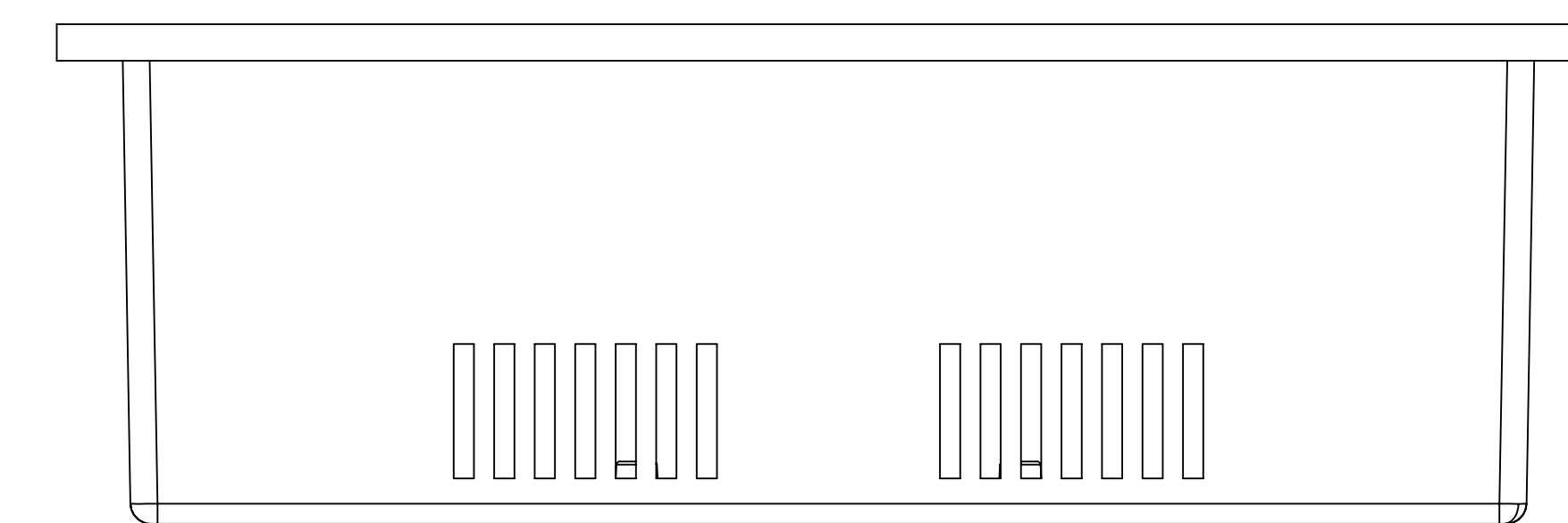


SURFACE-8

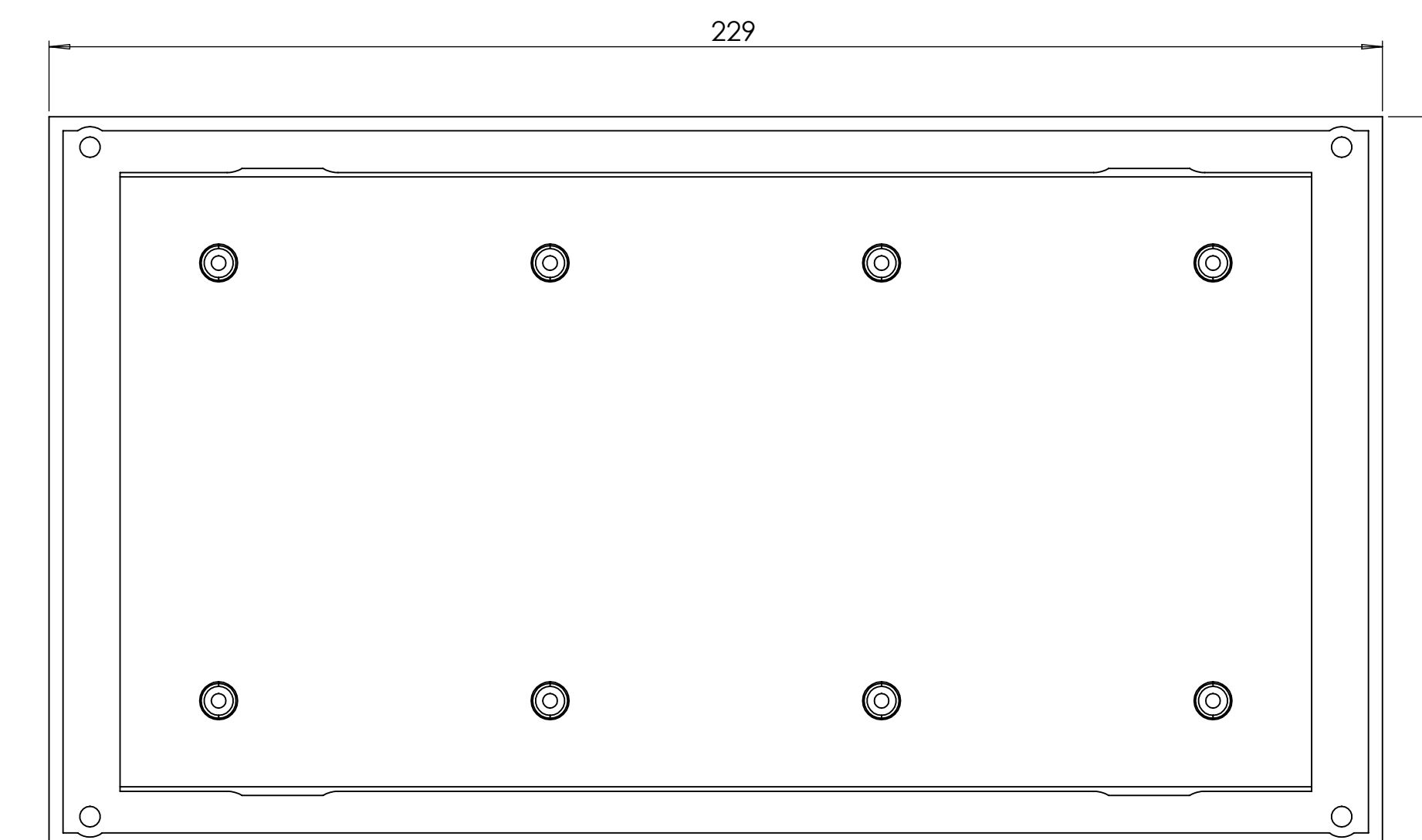


SURFACE-9

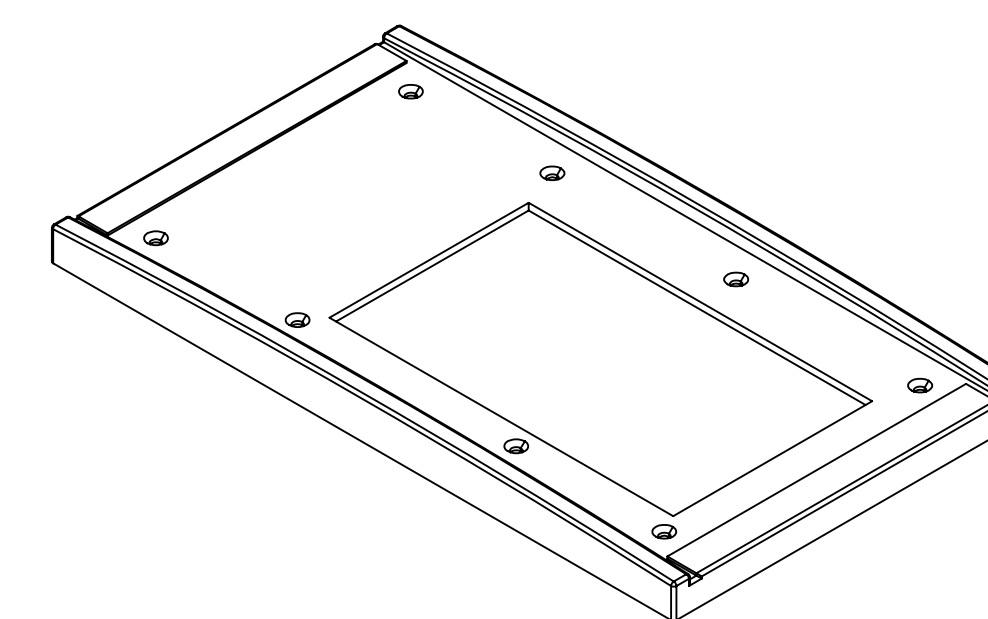
74




SURFACE-11



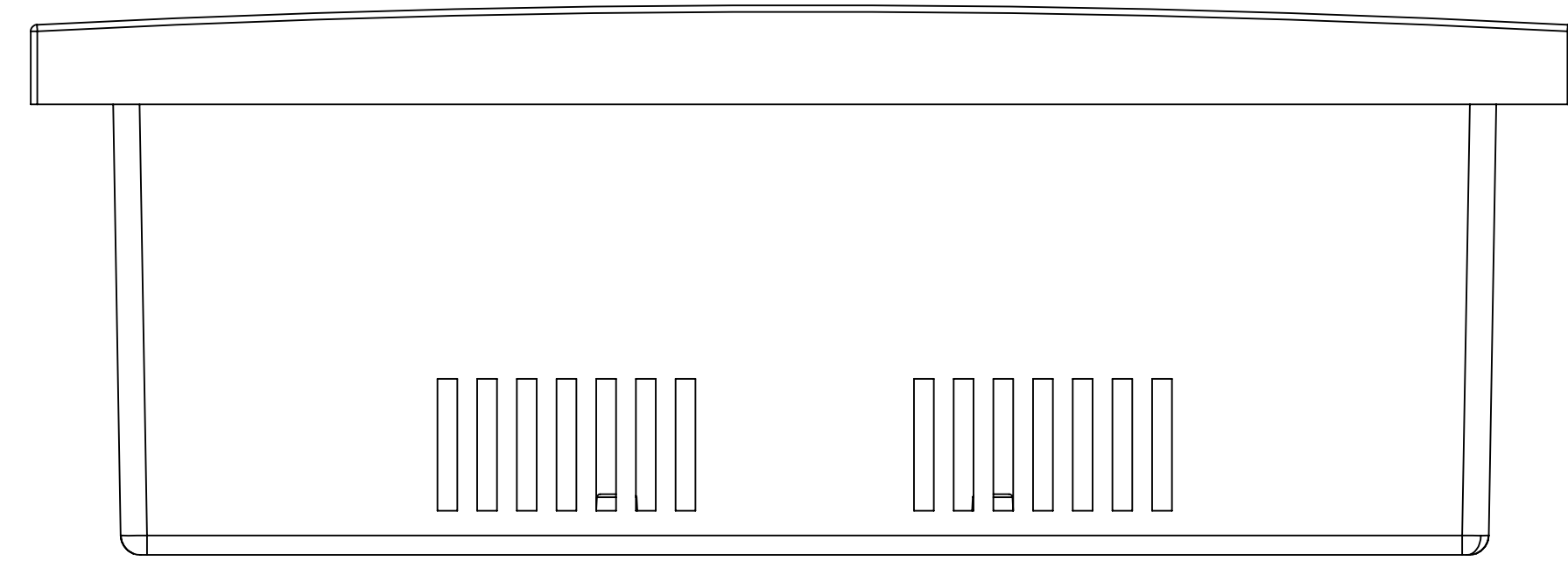
SURFACE-12 (INSIDE)



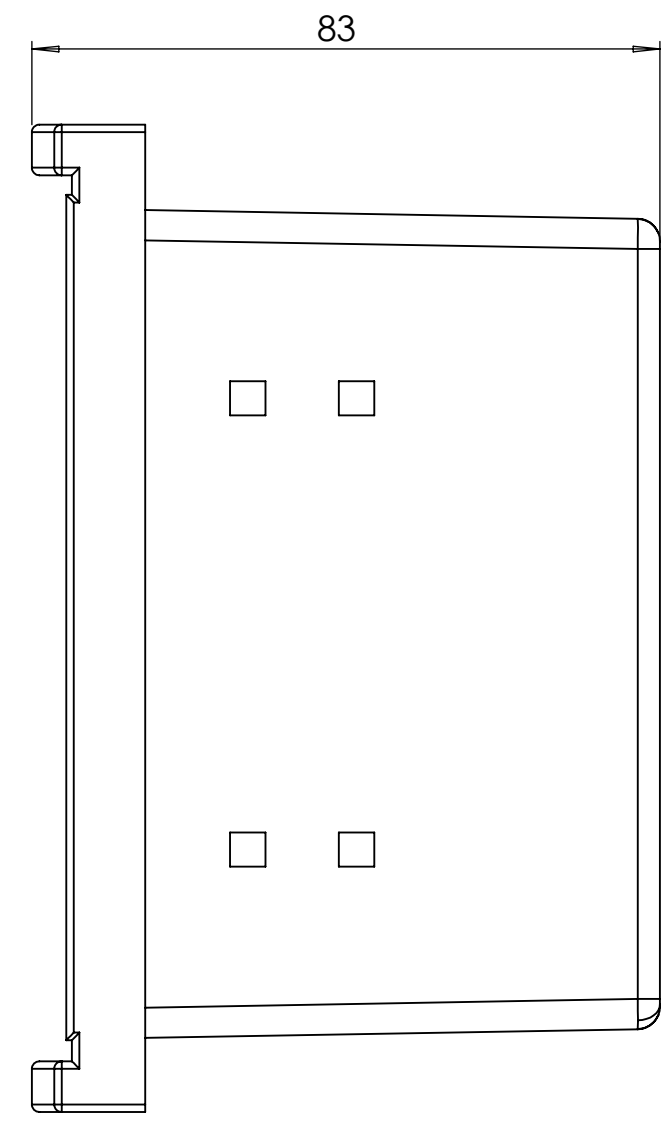
REV. NO	DATE	REVISED BY	DESCRIPTION OF CHANGE
 ALTINKAYA Electronic Enclosures & Components			
Customer Name:		Customer Ref.:	
Altinkaya Ref.:		Part Name: OP-100-A	
DRAWN	NAME	DATE	Drawn From:
CHECKED	Y.YEL	21.09.2024	Weight:
DIMENSIONAL TOLERANCES UNLESS OTHERWISE SPECIFIED (DIN7168)			
0.5-3mm	3-6mm	6-30mm	30-120mm
±0.1	±0.1	±0.2	±0.3
			120-400mm
			±0.5
			m (Medium)
			SCALE 1:1
			SHEET 01 OF 2
			UNIT: mm
			A0

www.altinkaya.com

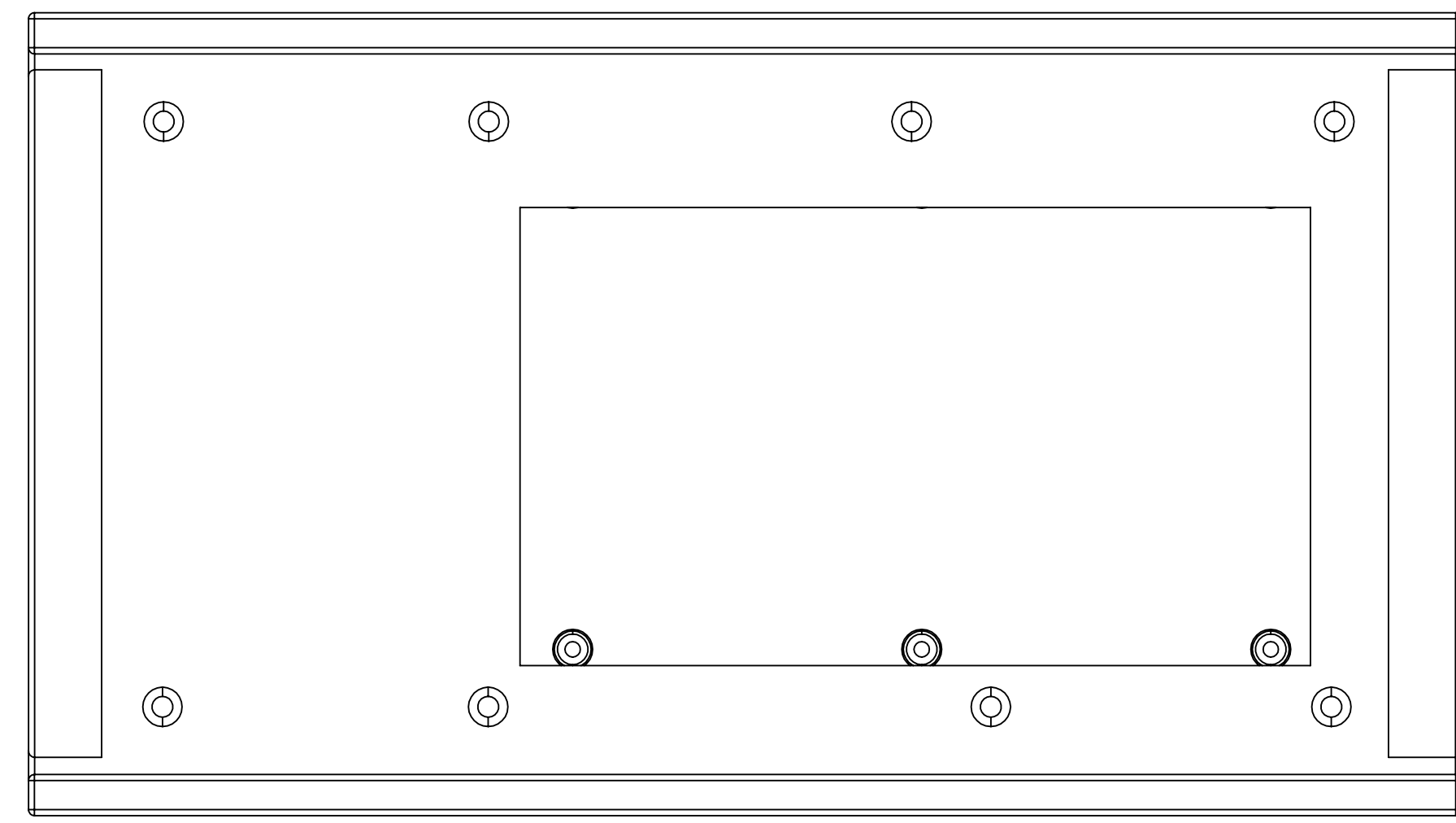
OP-100-A IF MACHINED TOGETHER



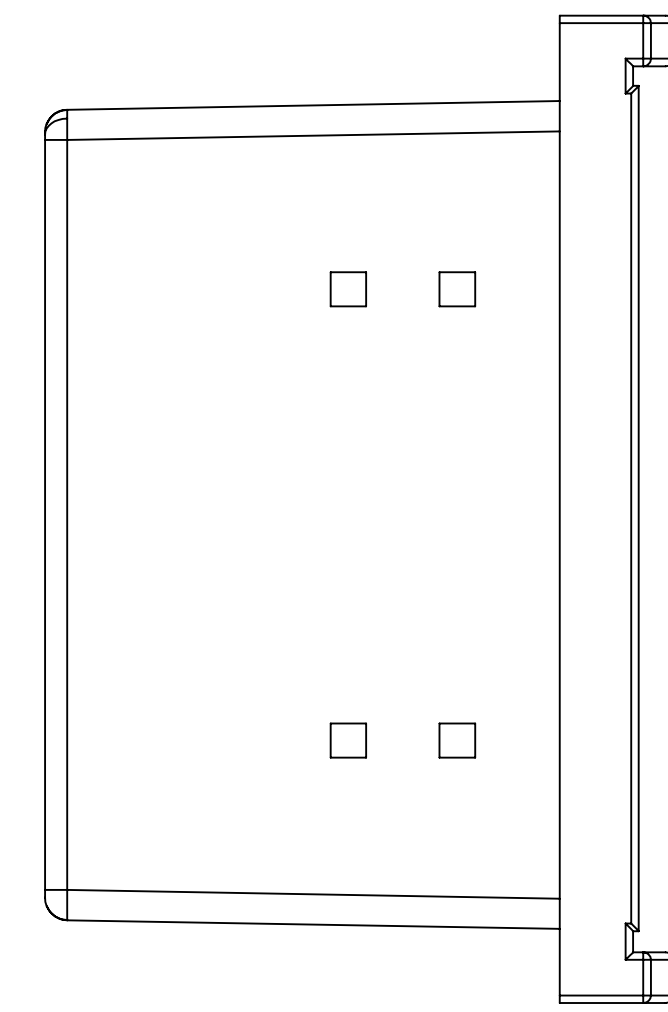
SURFACE-13



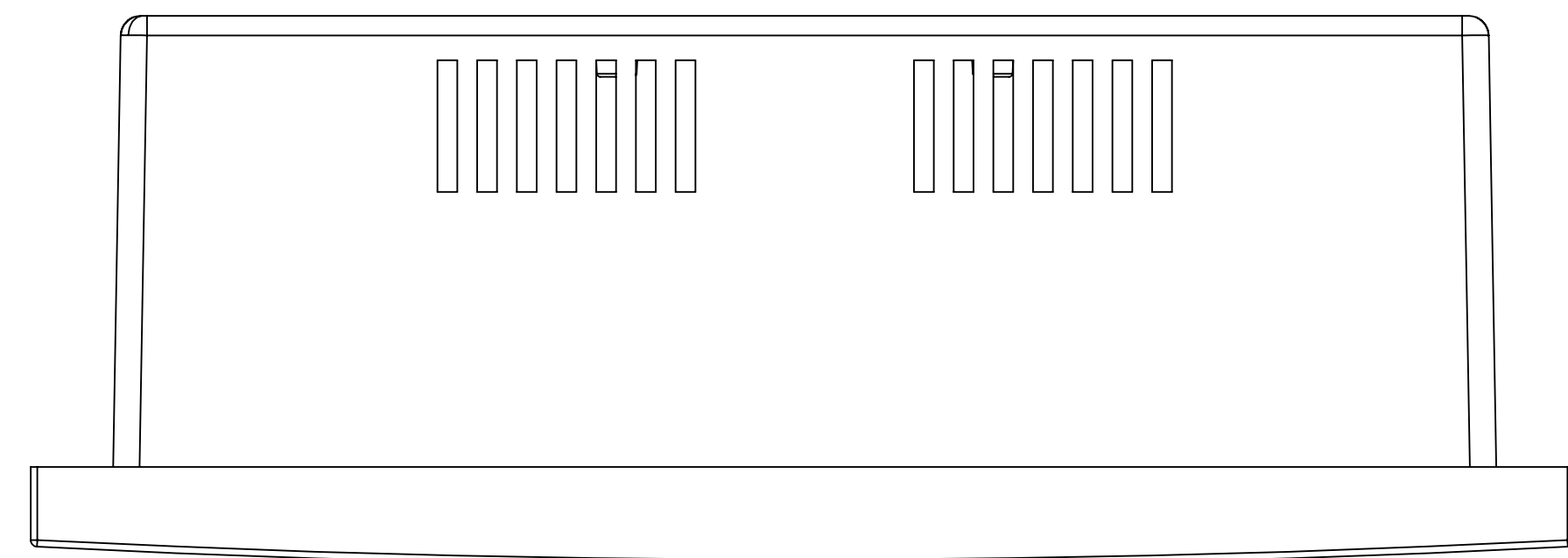
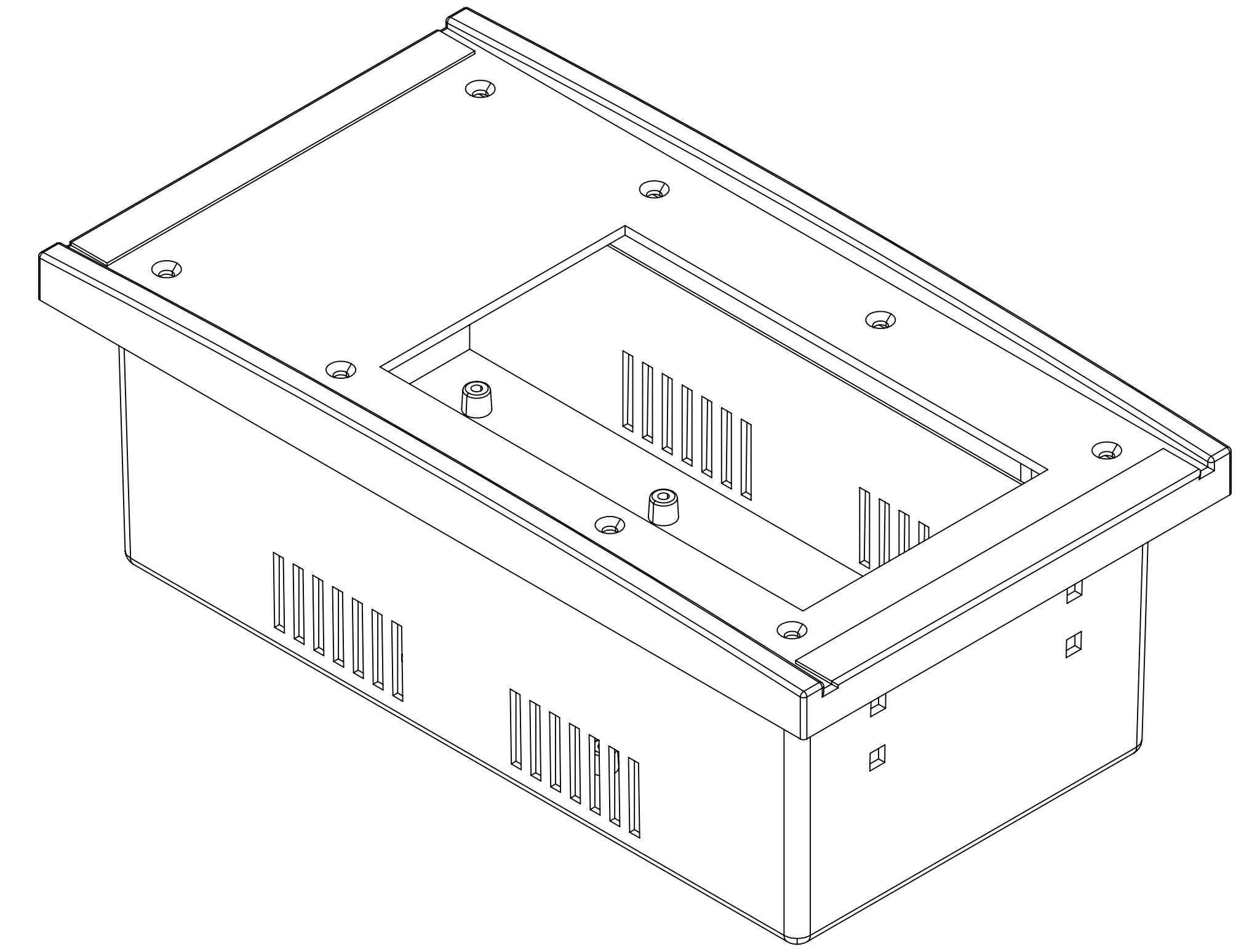
SURFACE-15



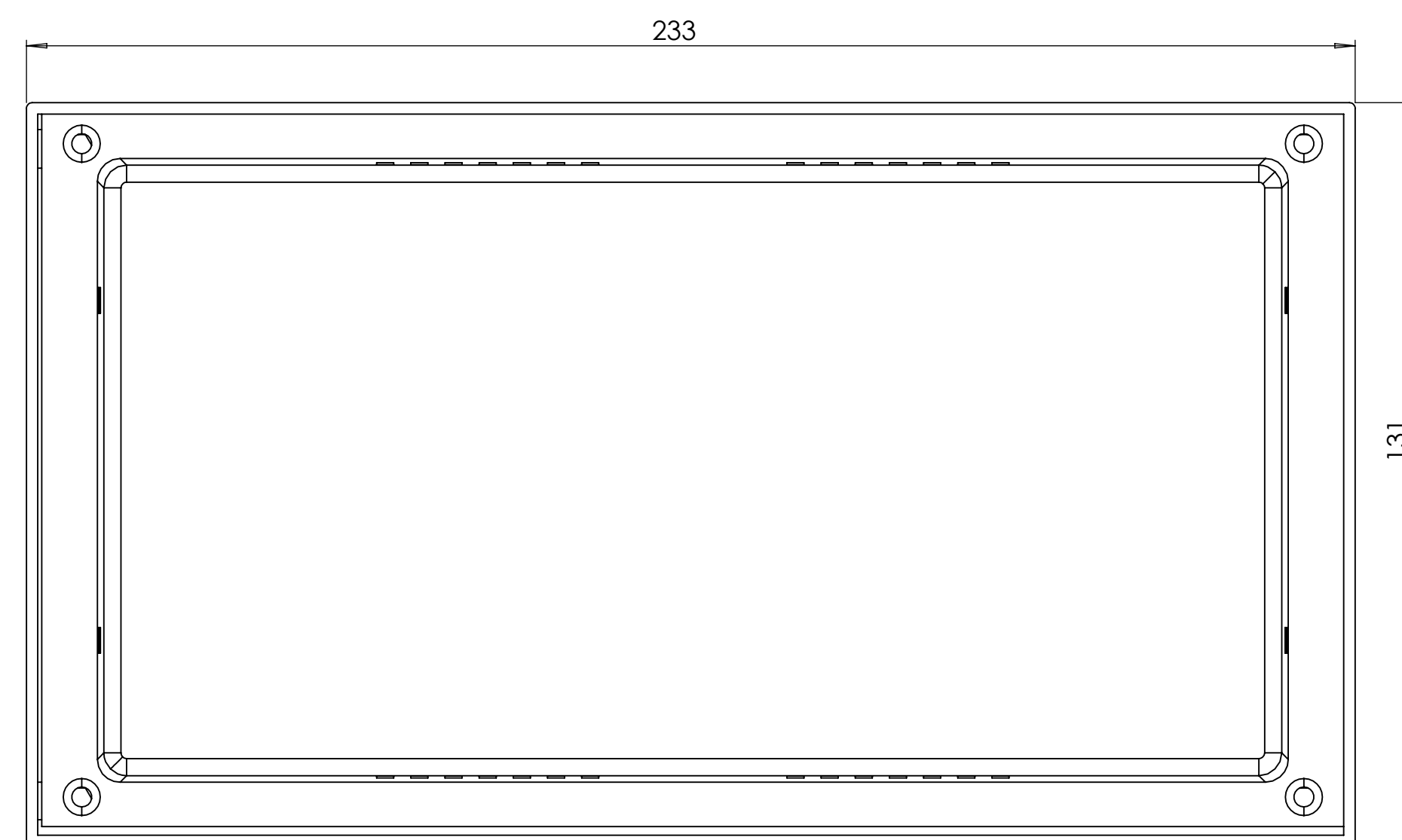
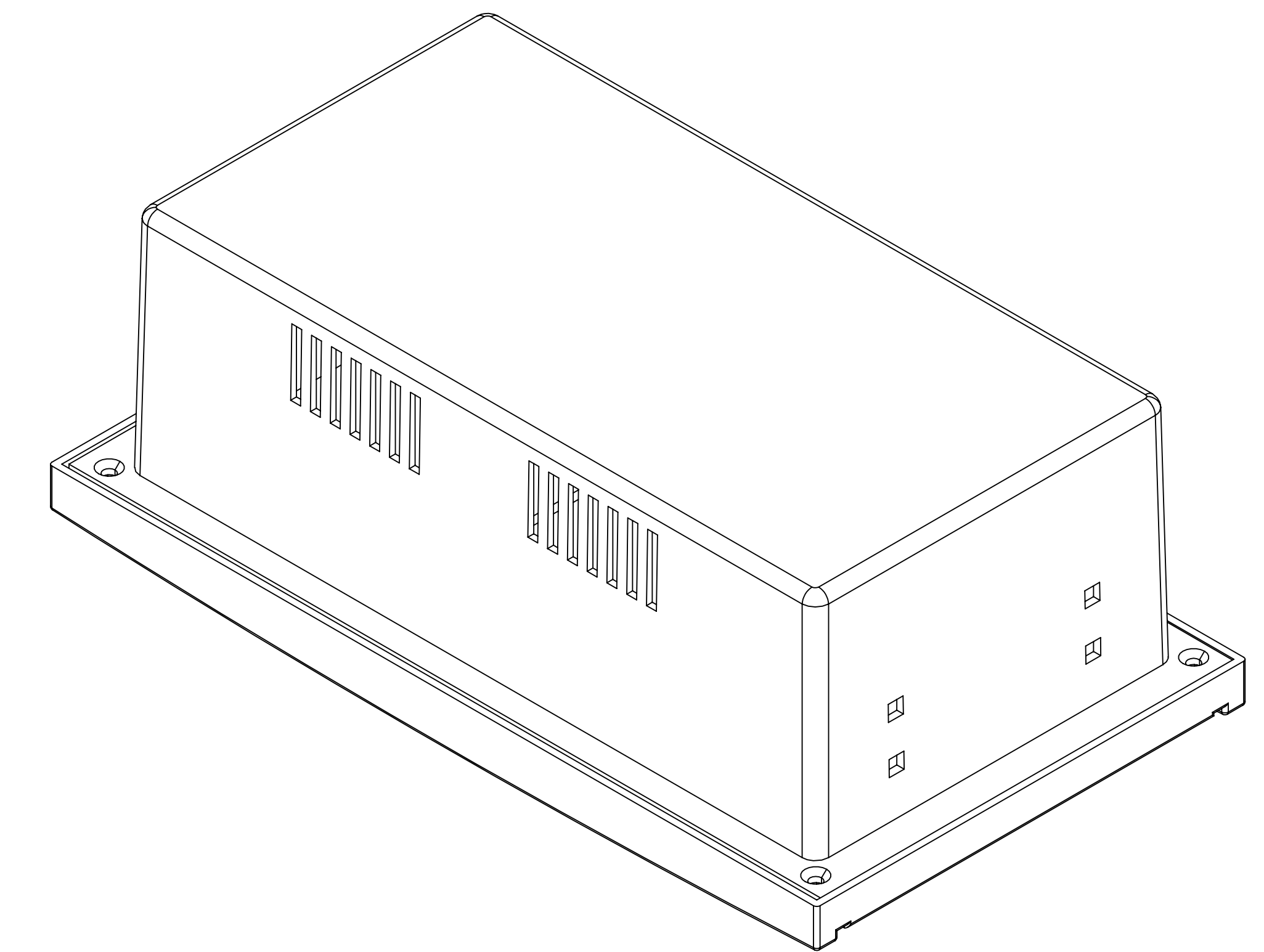
SURFACE-17



SURFACE-16



SURFACE-14



SURFACE-18

REV. NO	DATE	REVISED BY	DESCRIPTION OF CHANGE	
ALTINKAYA Electronic Enclosures & Components			www.altinkaya.com	
Customer Name:		Customer Ref. :		
Altinkaya Ref. :		Part Name: OP-100-A		
DRAWN	NAME	DATE	Drawn From :	SCALE 1:1
CHECKED	Y.YEL	21.09.2024	Material :	SHEET 2 OF 2
DIMENSIONAL TOLERANCES UNLESS OTHERWISE SPECIFIED (DIN7168)			Weight :	UNIT: mm
	0.5-3mm	3-6mm	6-30mm	30-120mm
	±0.1	±0.1	±0.2	±0.3
			±0.5	±0.5
				m (Medium)