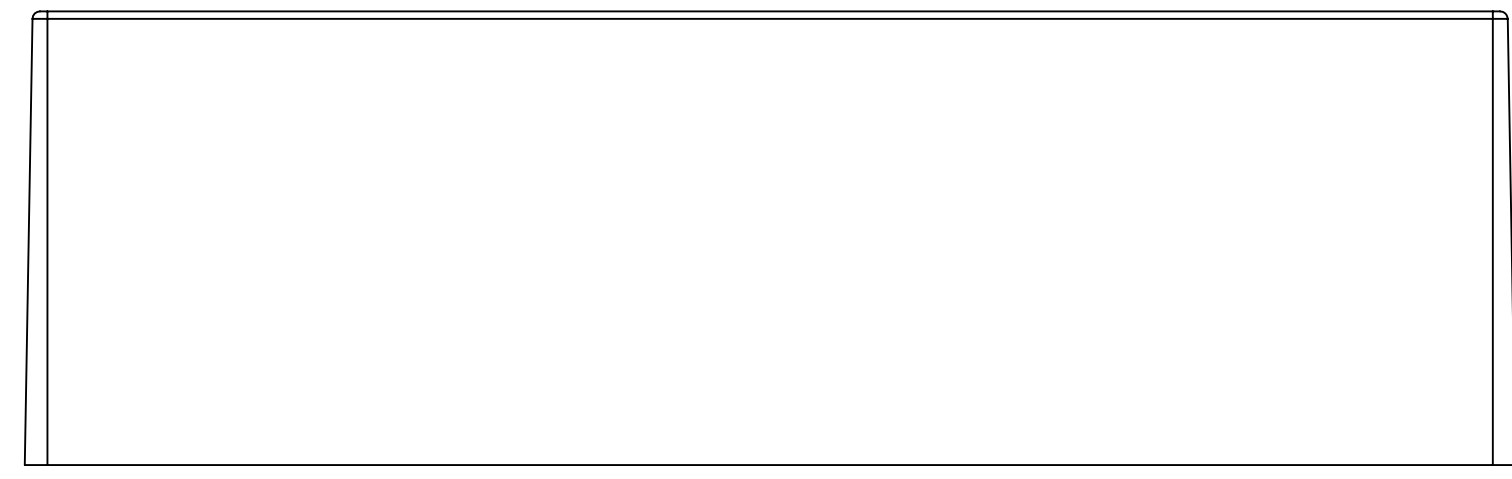
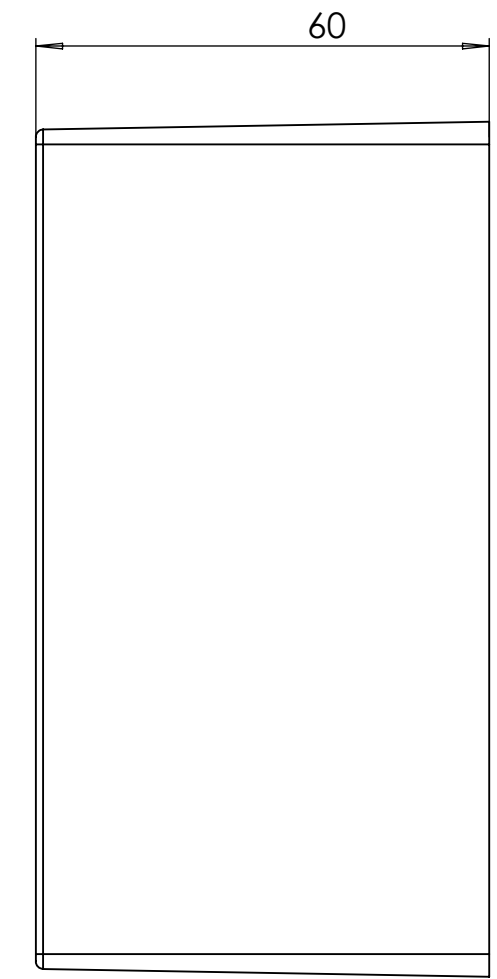


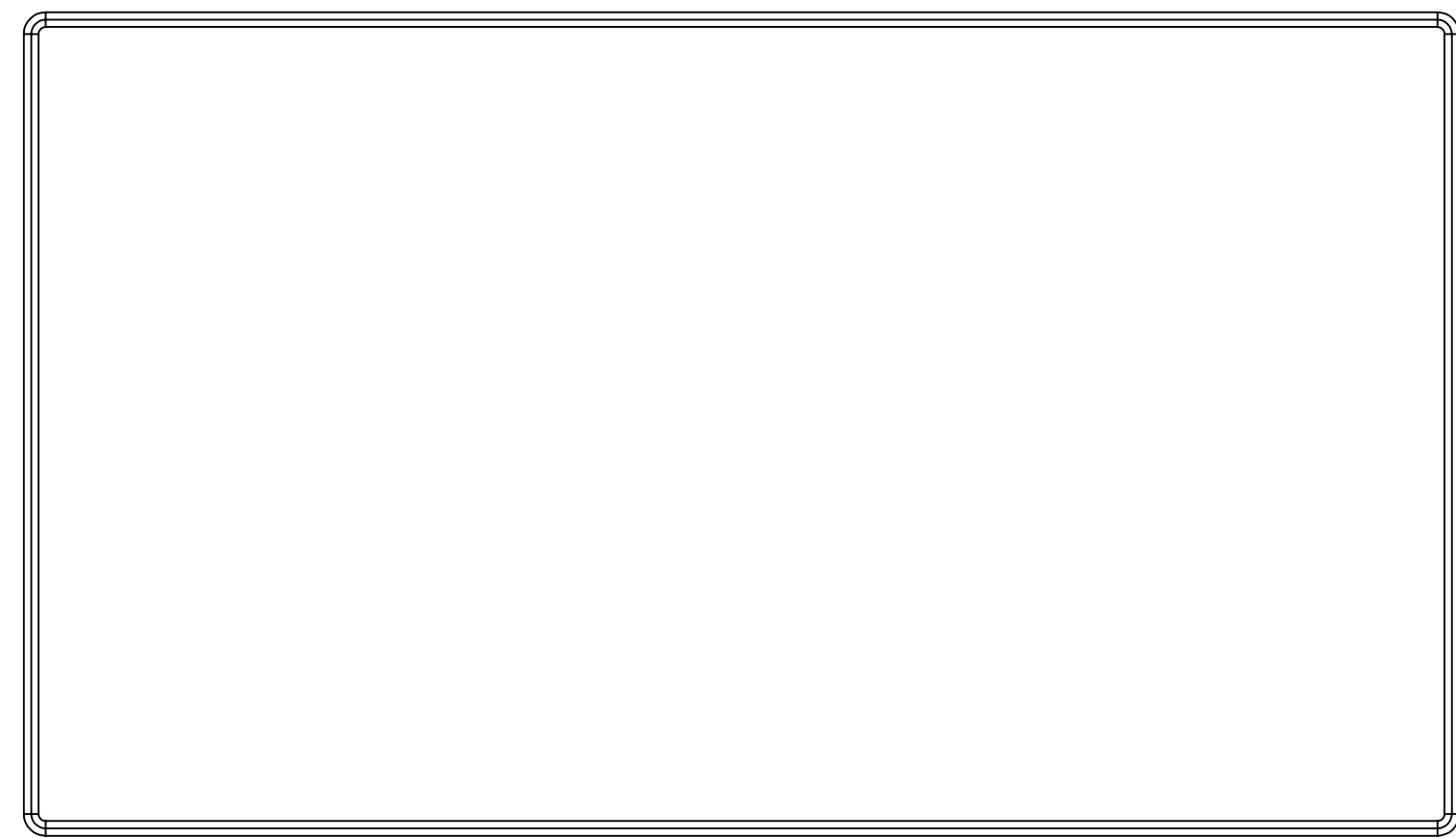
BASE: 6 SURFACE



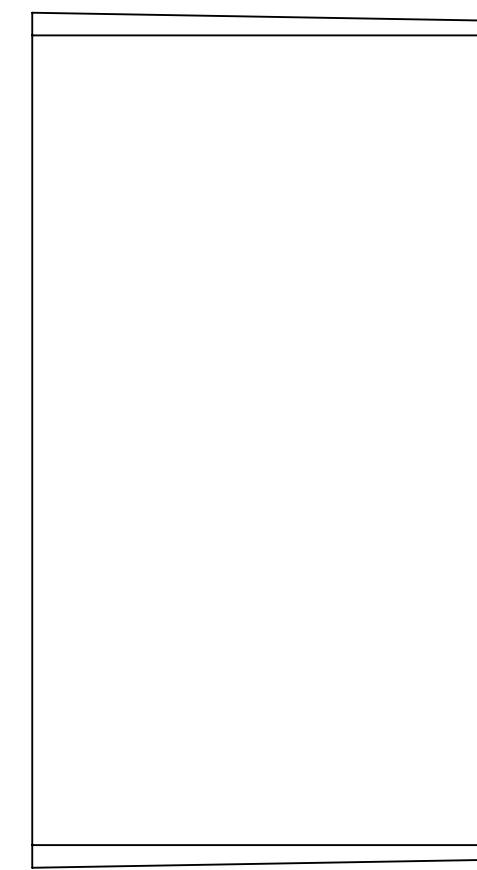
SURFACE-1



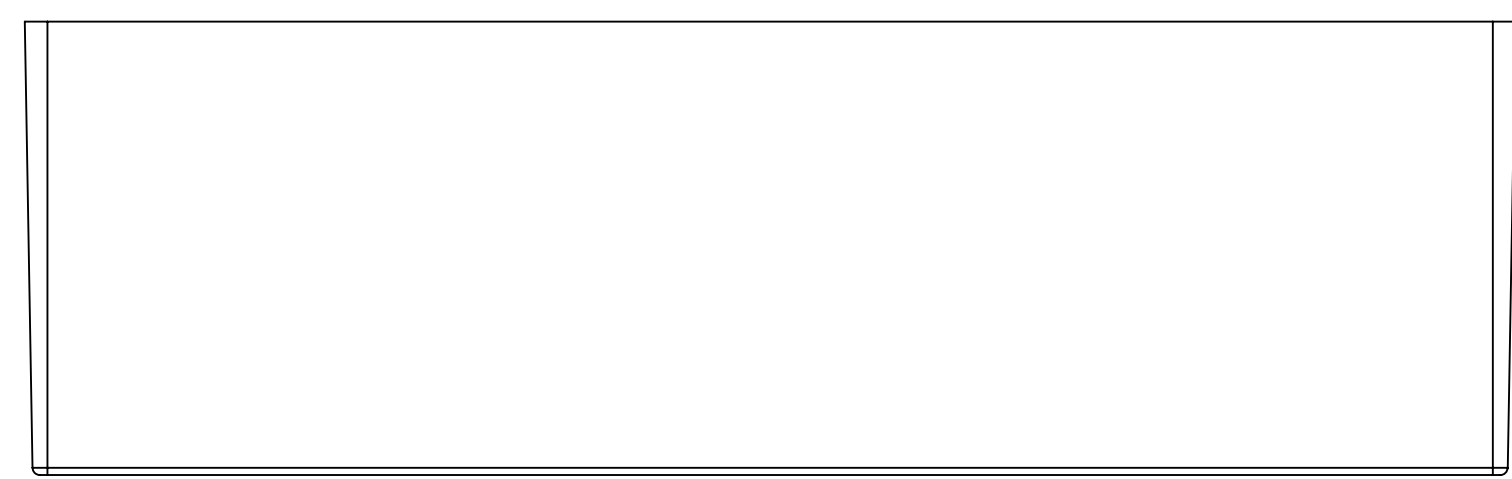
SURFACE-3



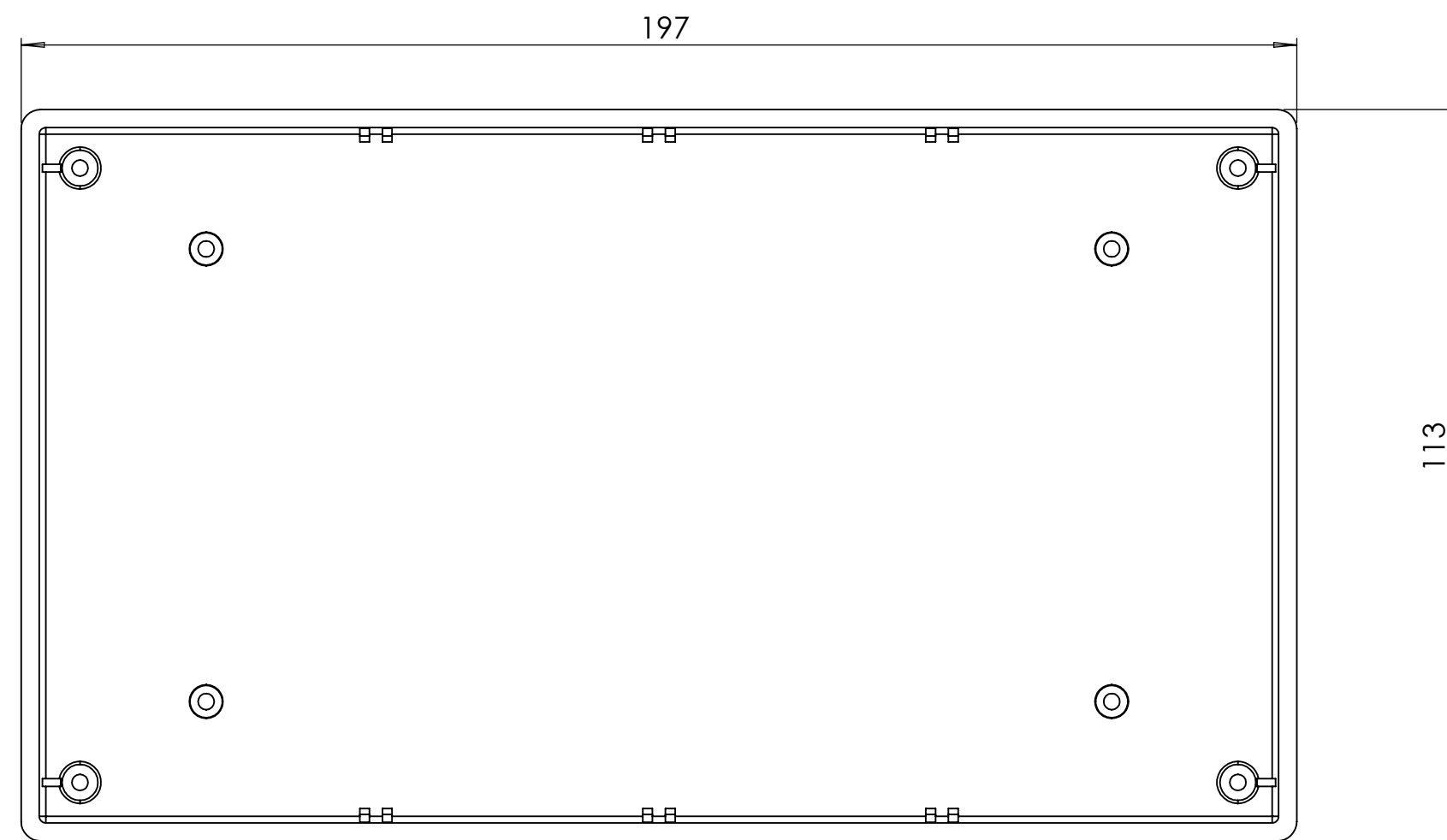
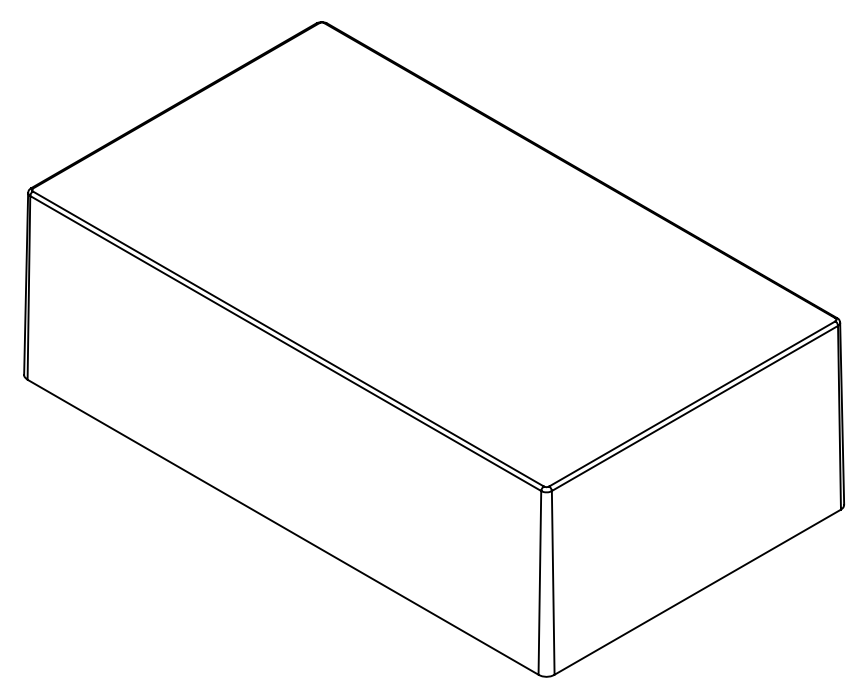
SURFACE-5



SURFACE-4

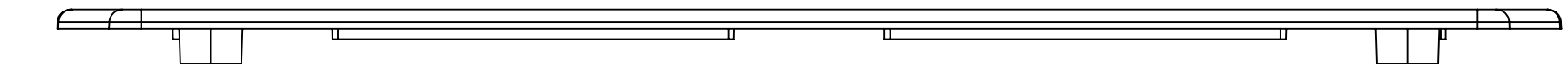


SURFACE-2

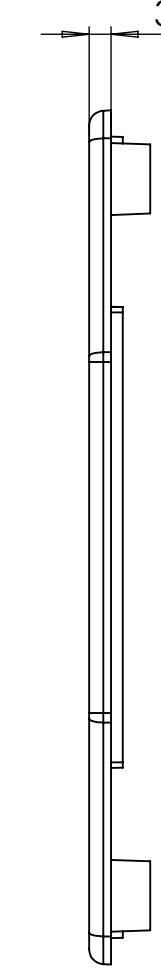


SURFACE-6 (INSIDE)

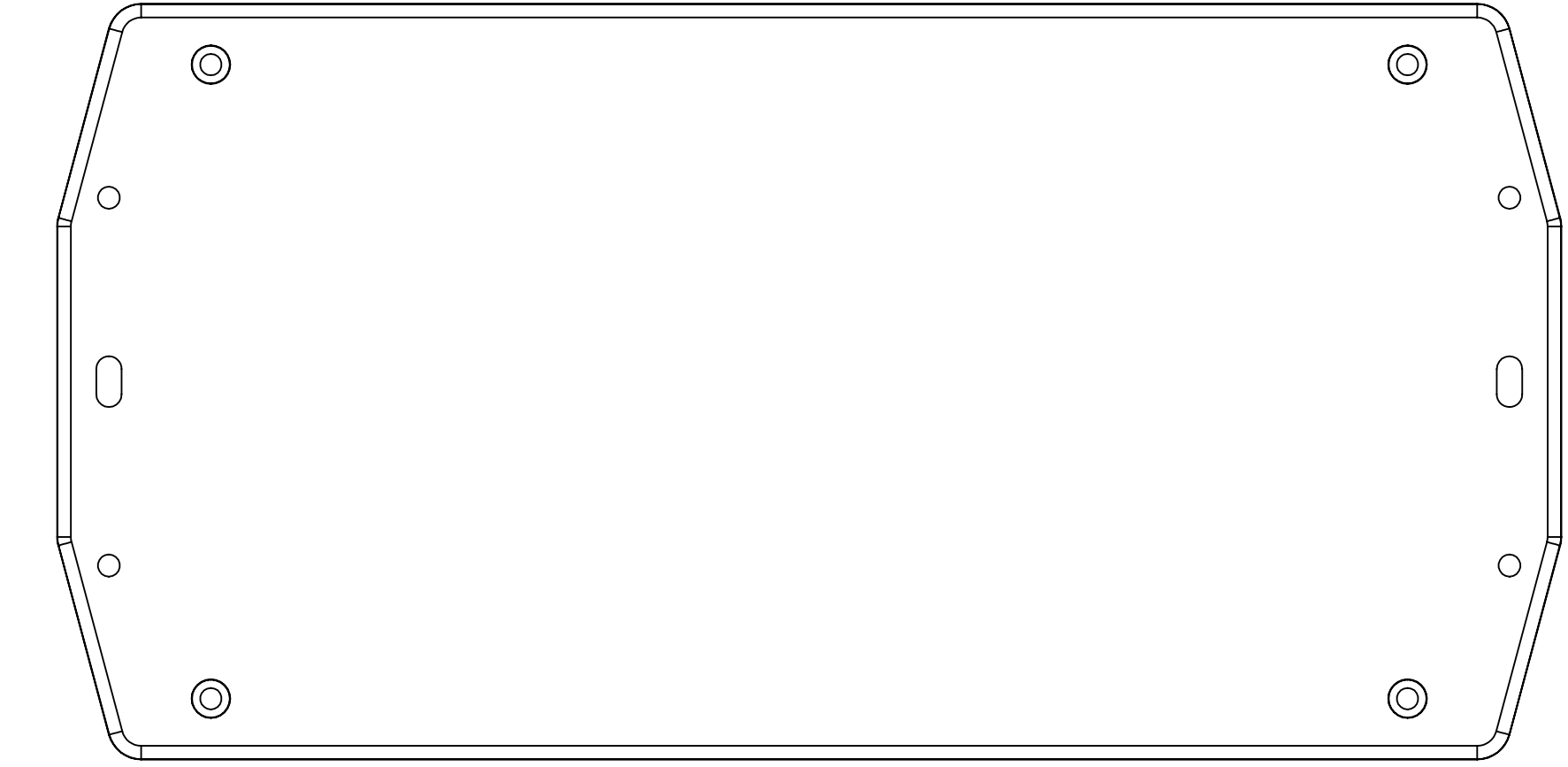
COVER: 6 SURFACE



SURFACE-7



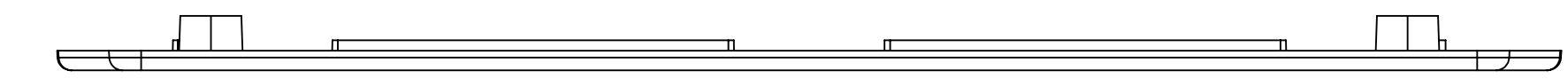
SURFACE-9



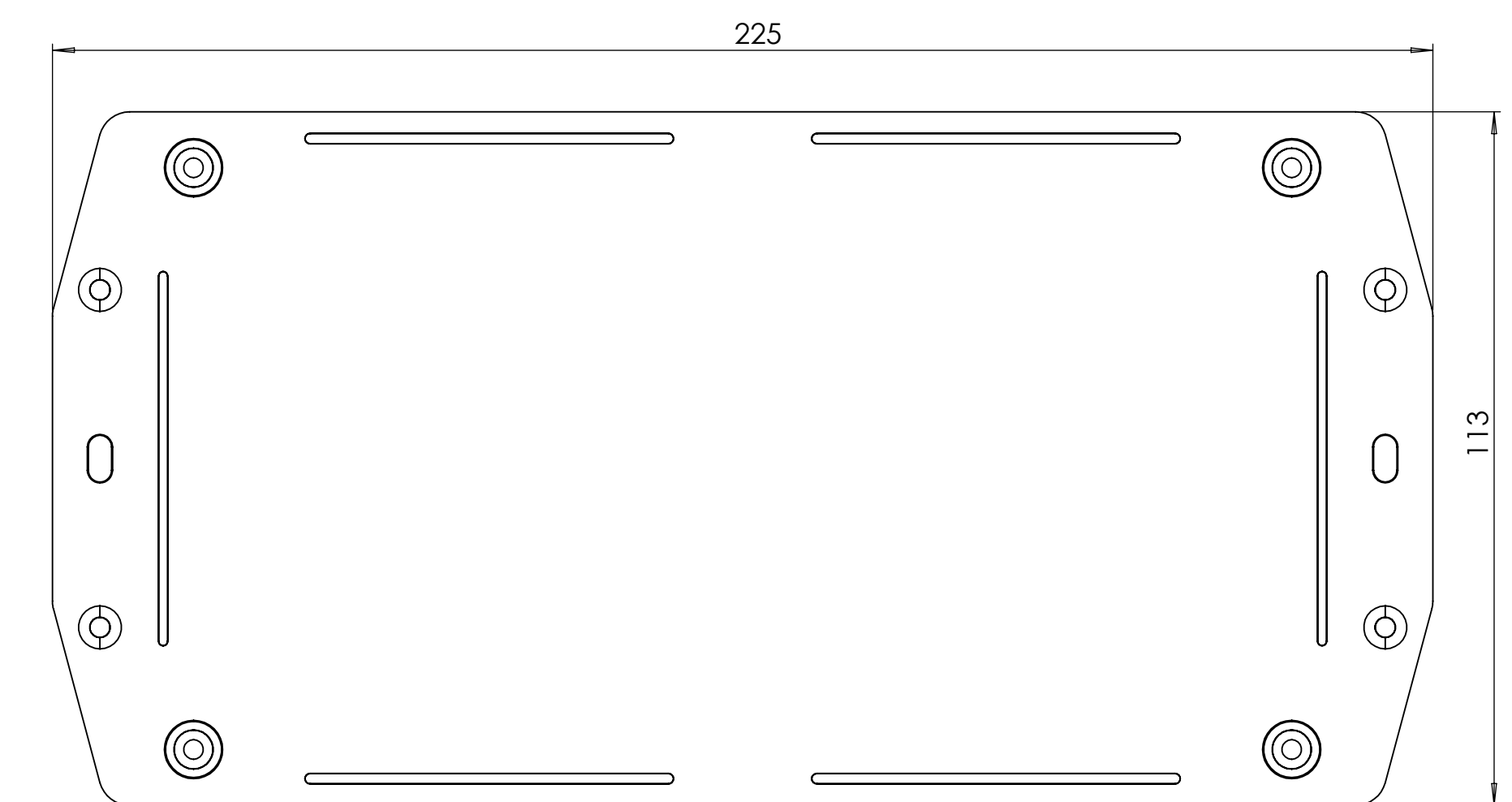
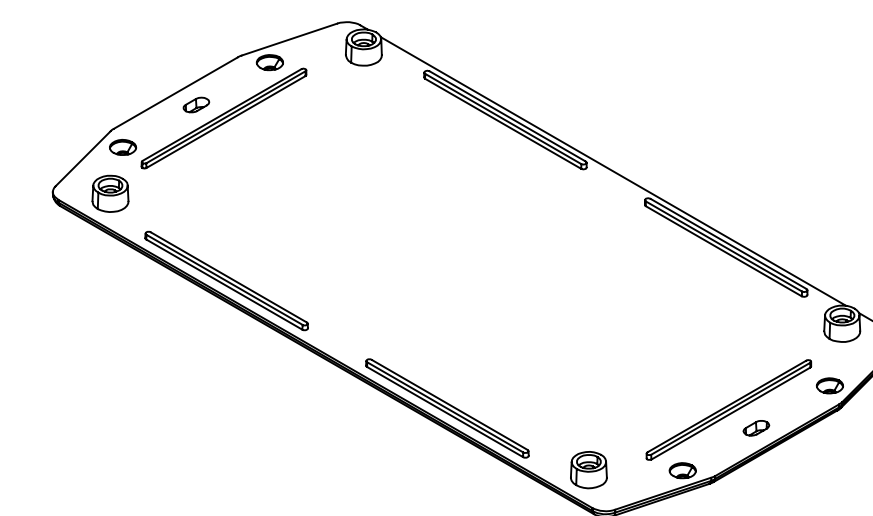
SURFACE-11




SURFACE-10



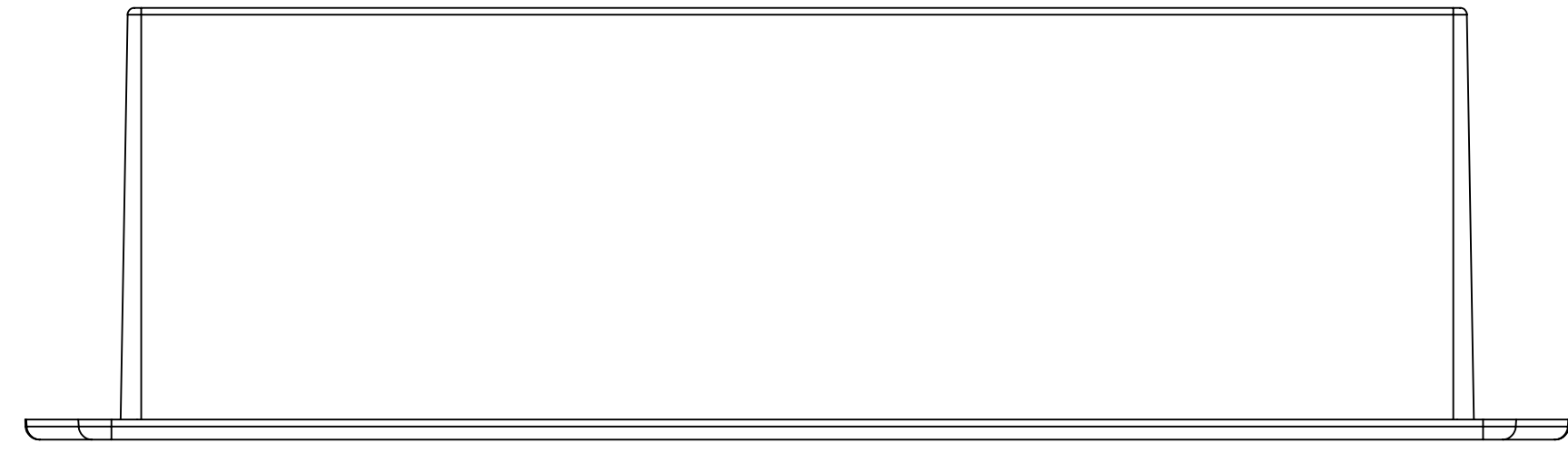
SURFACE-8



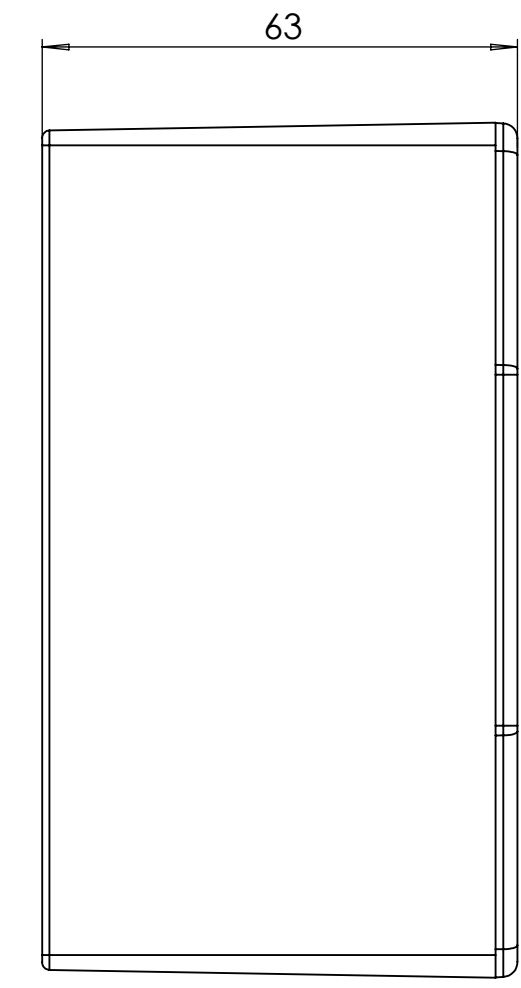
SURFACE-12 (INSIDE)

REV. NO	DATE	REVISED BY	DESCRIPTION OF CHANGE
 ALTINKAYA Electronic Enclosures & Components			www.altinkaya.com
Customer Name:		Customer Ref.:	
Altinkaya Ref.:		Part Name: PR-240-A	
NAME	DATE	Drawn From:	SCALE 1:1
DRAWN S.YESILOZ	21.09.2024	Material:	SHEET 01 of 2
CHECKED Y.YEL	21.09.2024	Weight:	UNIT: mm
DIMENSIONAL TOLERANCES UNLESS OTHERWISE SPECIFIED (DIN7168)		0.5-3mm ±0.1	3-6mm ±0.1
		6-30mm ±0.2	30-120mm ±0.3
		120-400mm ±0.5	Dimension (mm) m (Medium)

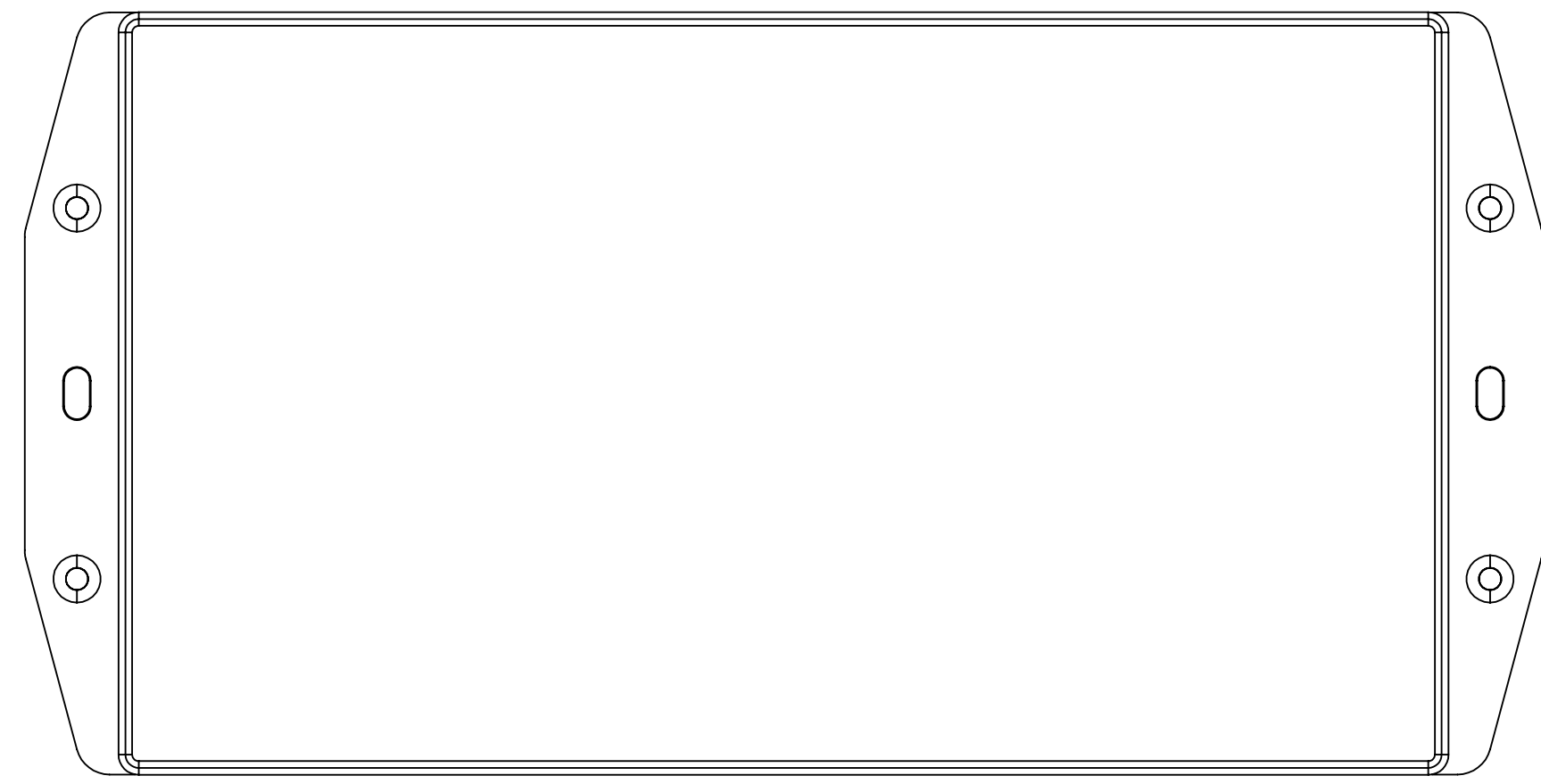
PR-240-A IF MACHINED TOGETHER



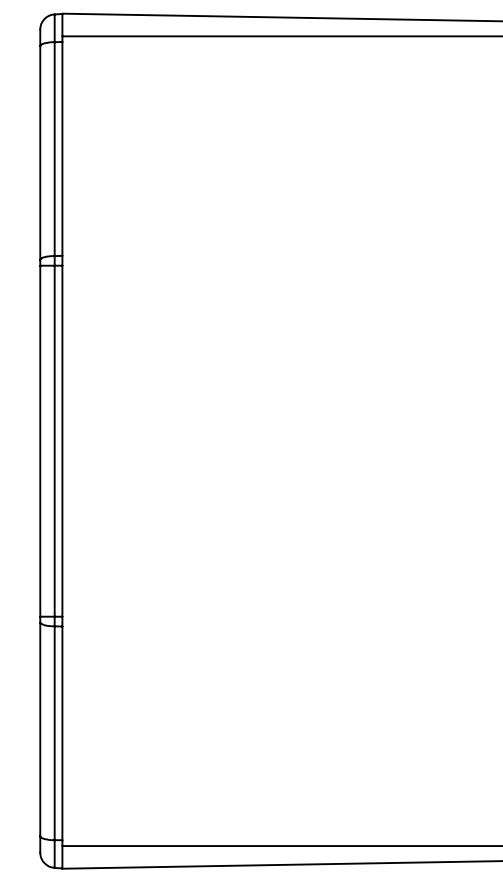
SURFACE-13



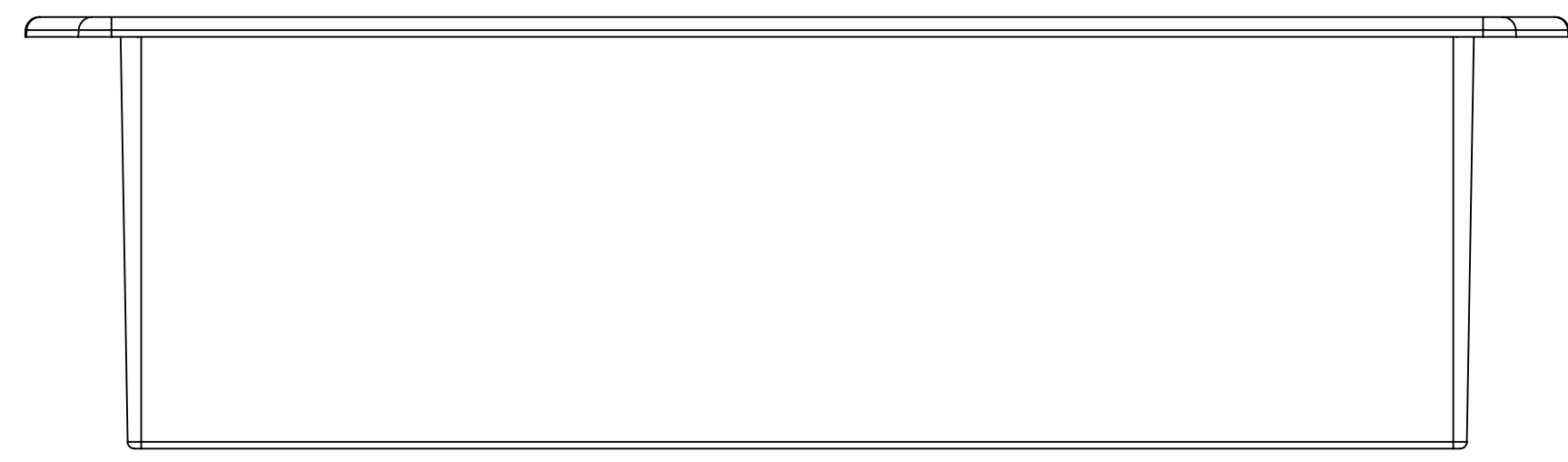
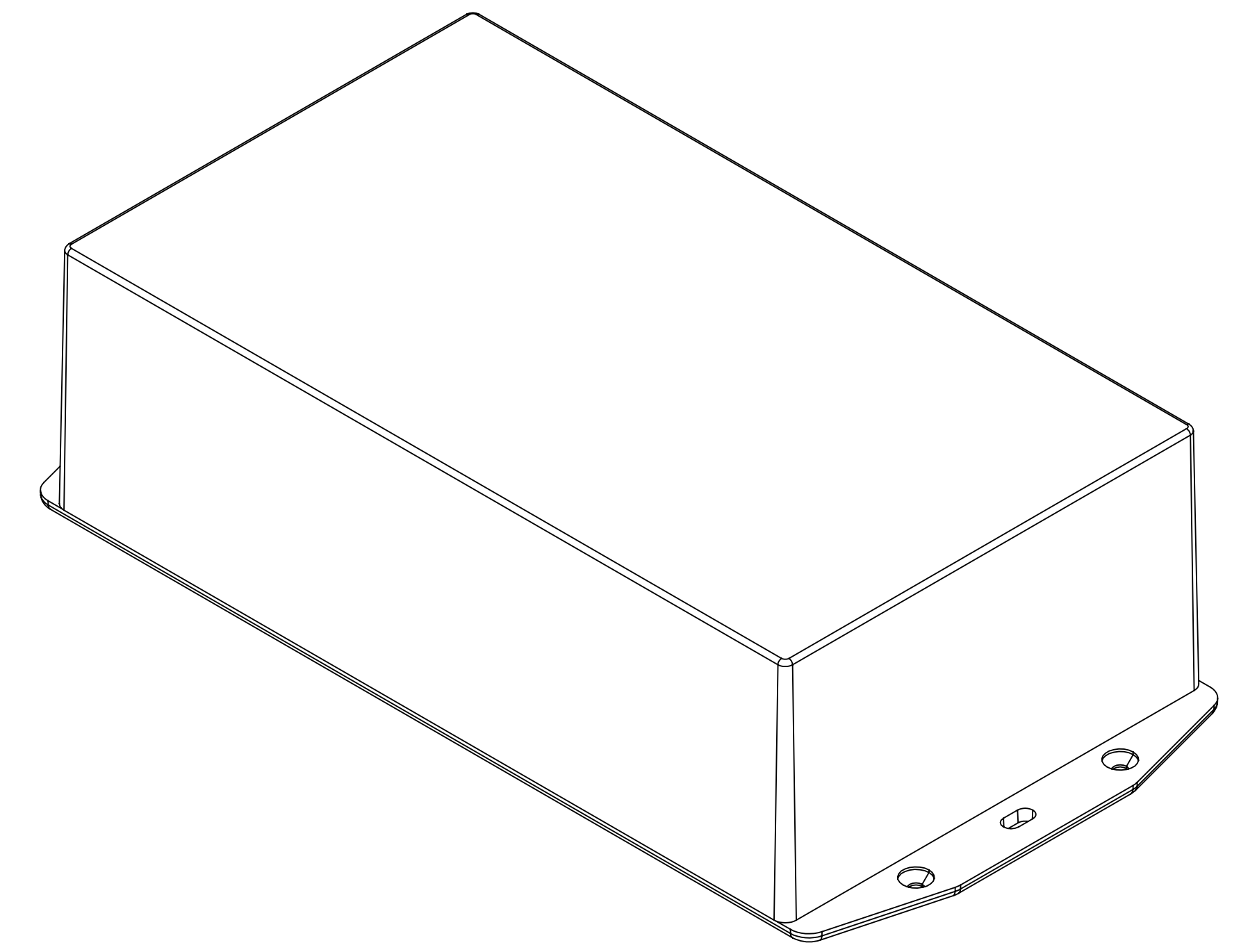
SURFACE-15



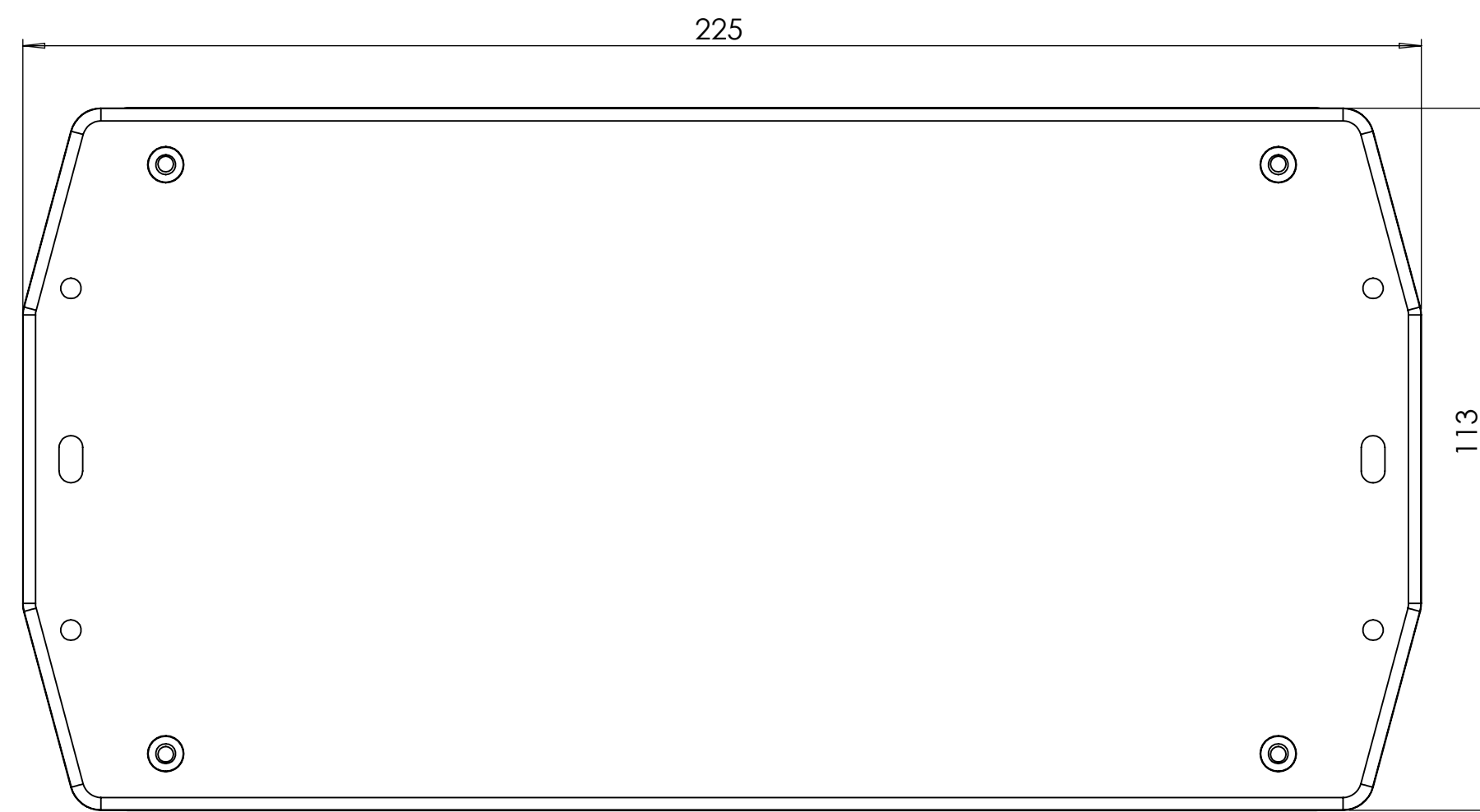
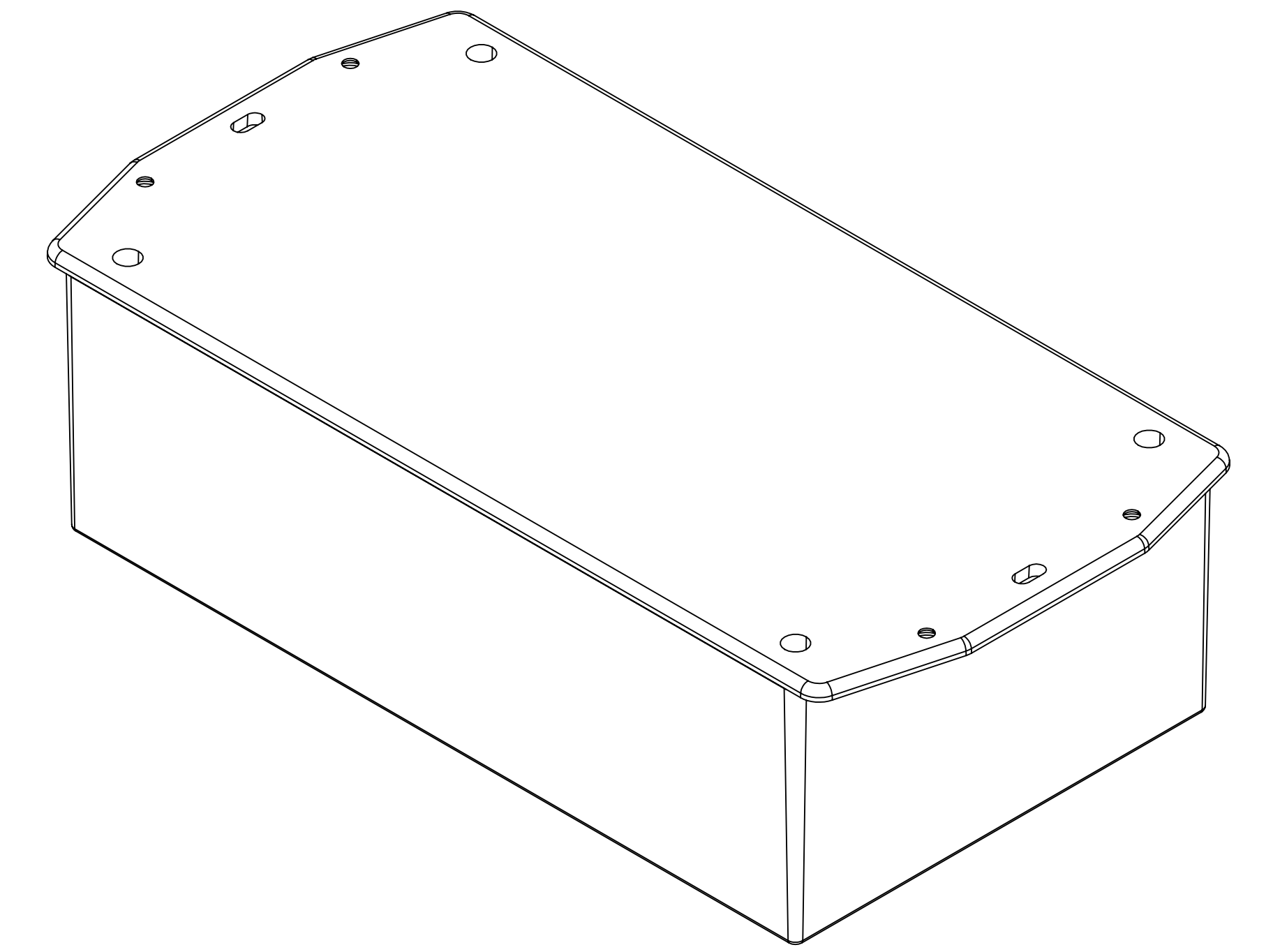
SURFACE-17




SURFACE-16



SURFACE-14



SURFACE-18

REV. NO	DATE	REVISED BY	DESCRIPTION OF CHANGE					
 ALTINKAYA Electronic Enclosures & Components			www.altinkaya.com					
Customer Name:		Customer Ref. :						
Altinkaya Ref. :		Part Name: PR-240-A						
DRAWN	NAME	DATE	Drawn From :	SCALE 1:1				
	S.YESILOZ	21.09.2024		SHEET 2 OF 2				
CHECKED	Y.YEL	21.09.2024	Weight :	UNIT: mm				
DIMENSIONAL TOLERANCES UNLESS OTHERWISE SPECIFIED (DIN7168)		0.5-3mm	3-6mm	6-30mm	30-120mm	120-400mm	Dimension (mm)	A0
		±0.1	±0.1	±0.2	±0.3	±0.5	m (Medium)	1