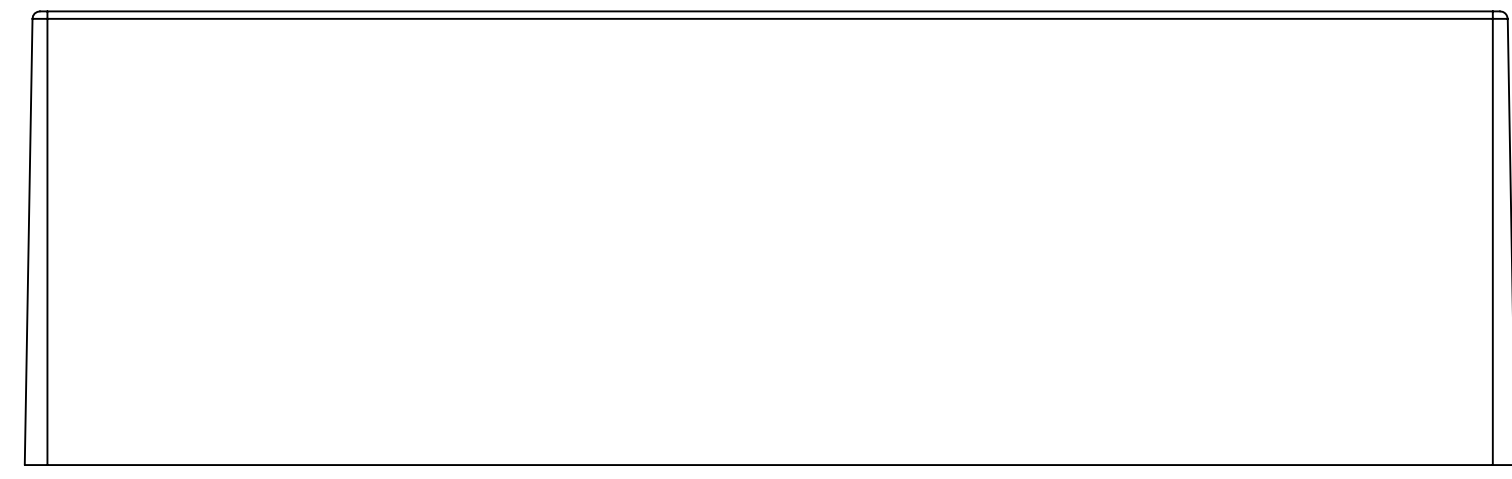
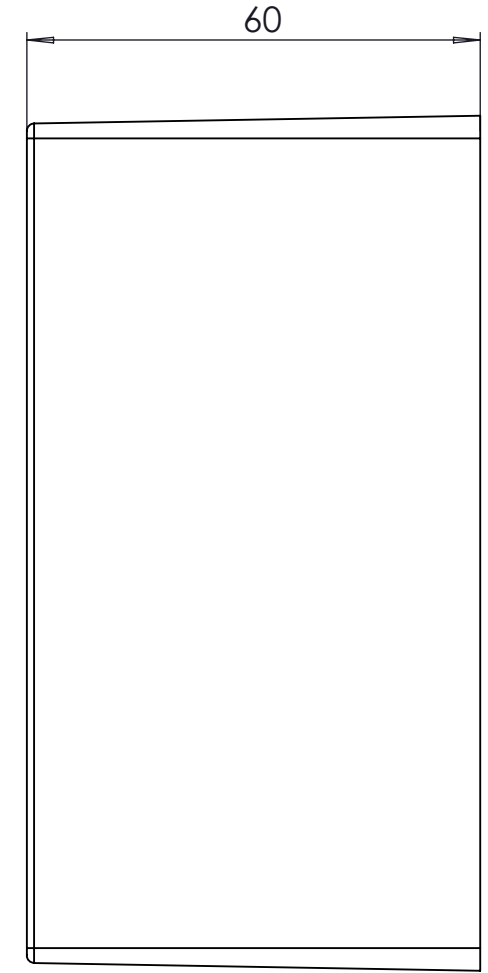


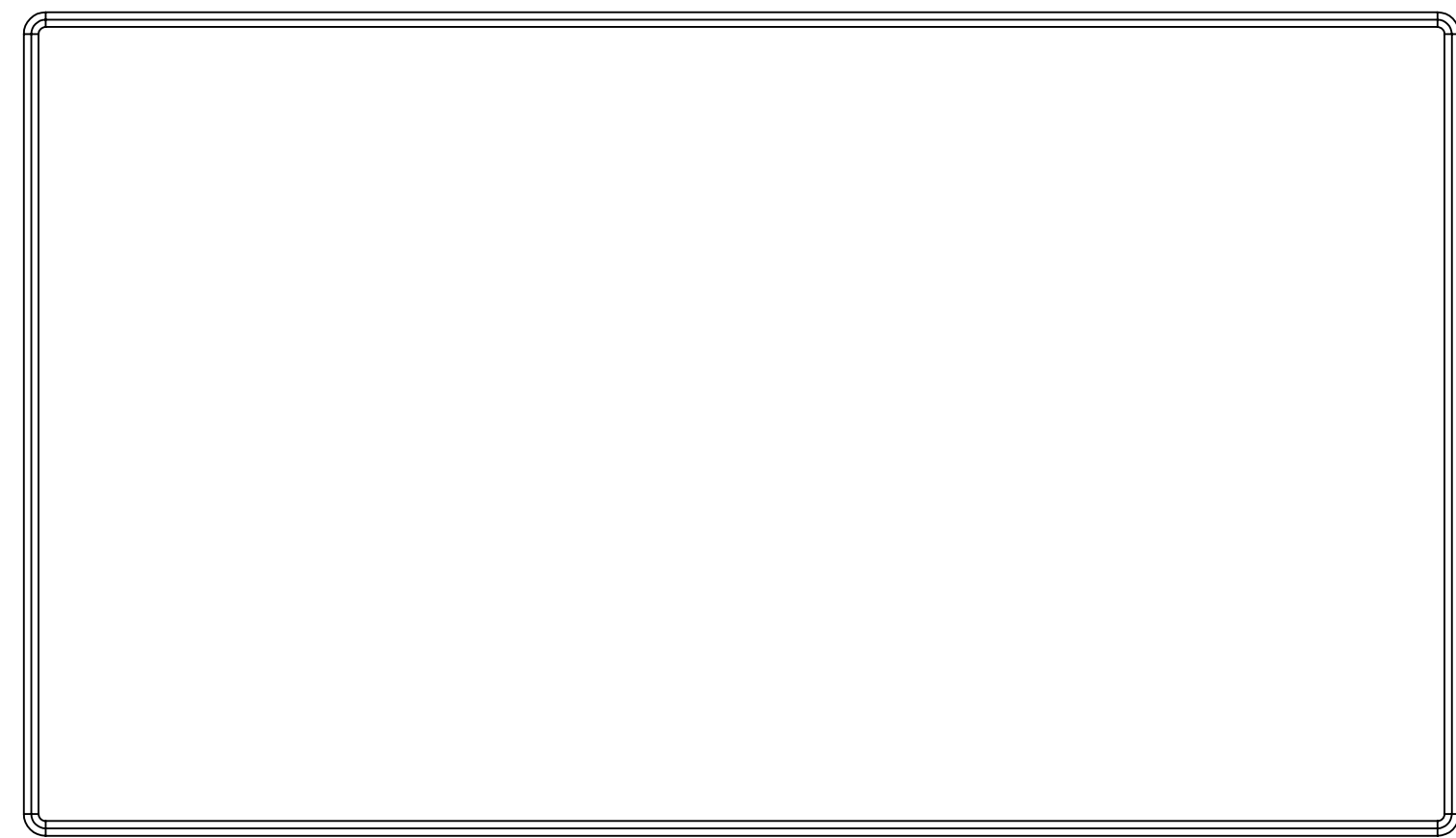
BASE: 6 SURFACE



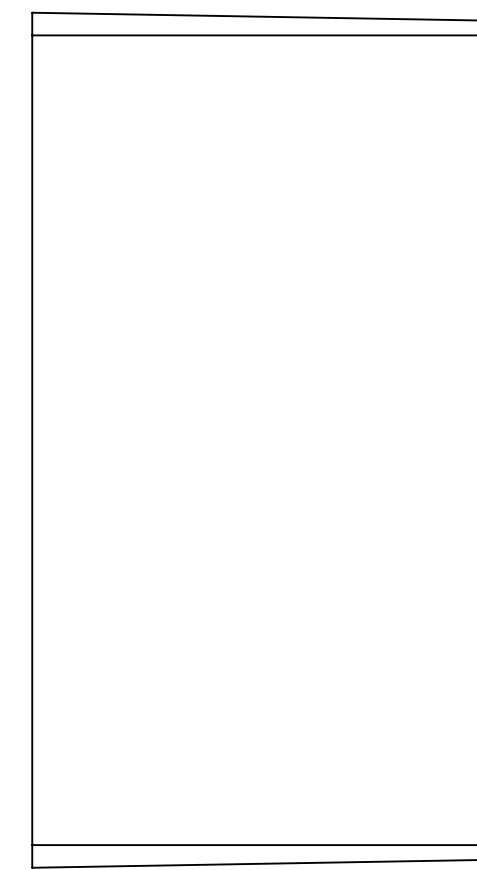
SURFACE-1



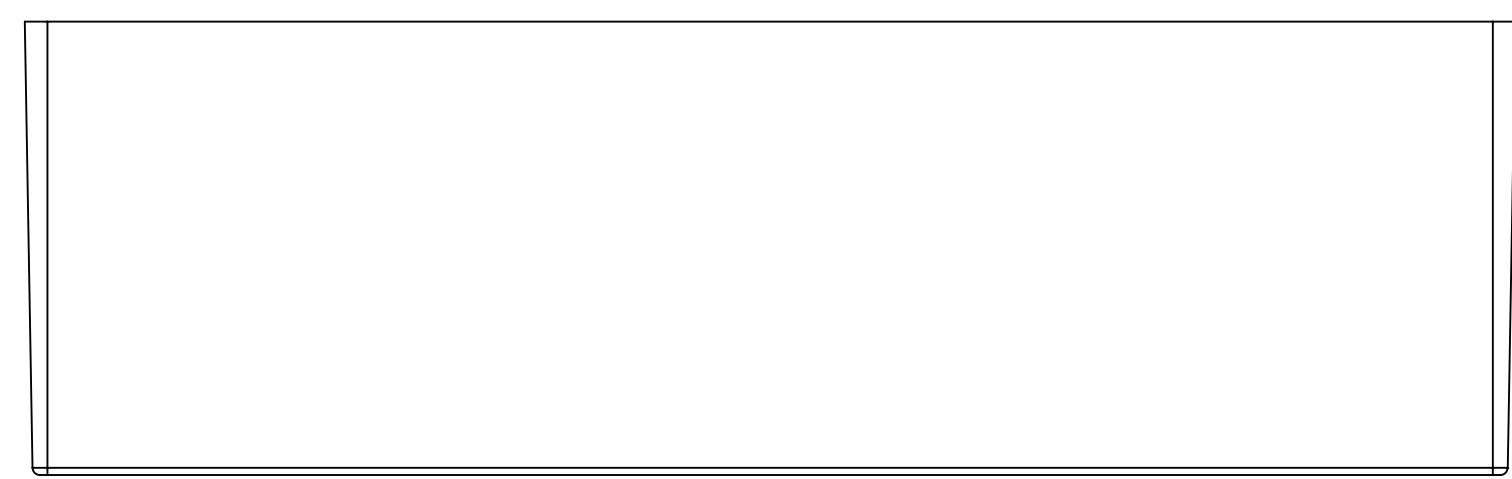
SURFACE-3



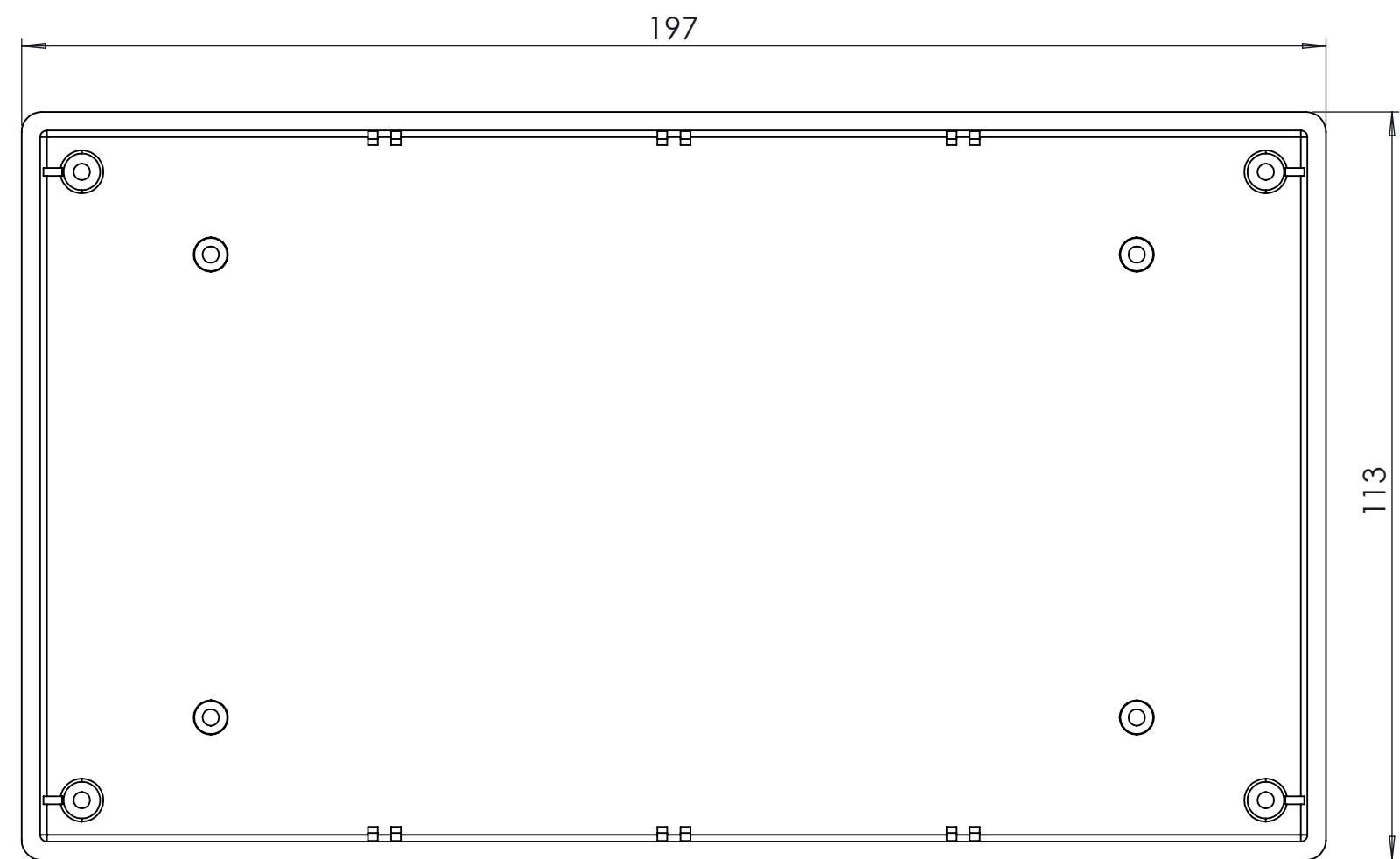
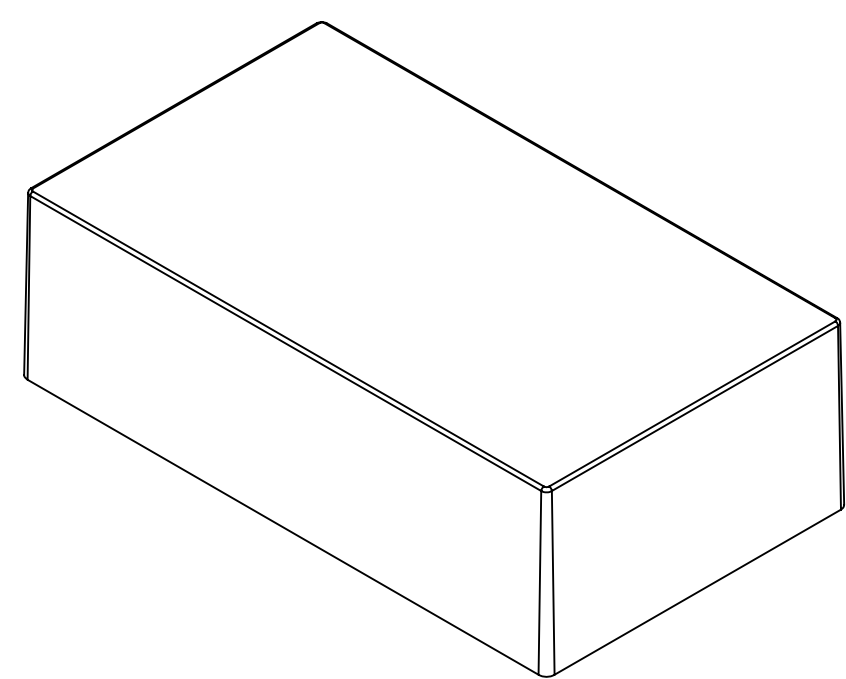
SURFACE-5



SURFACE-4

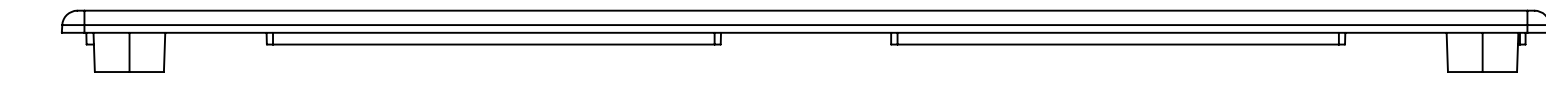


SURFACE-2

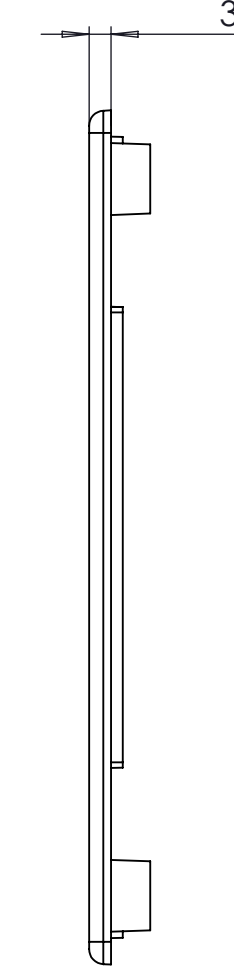


SURFACE-6 (INSIDE)

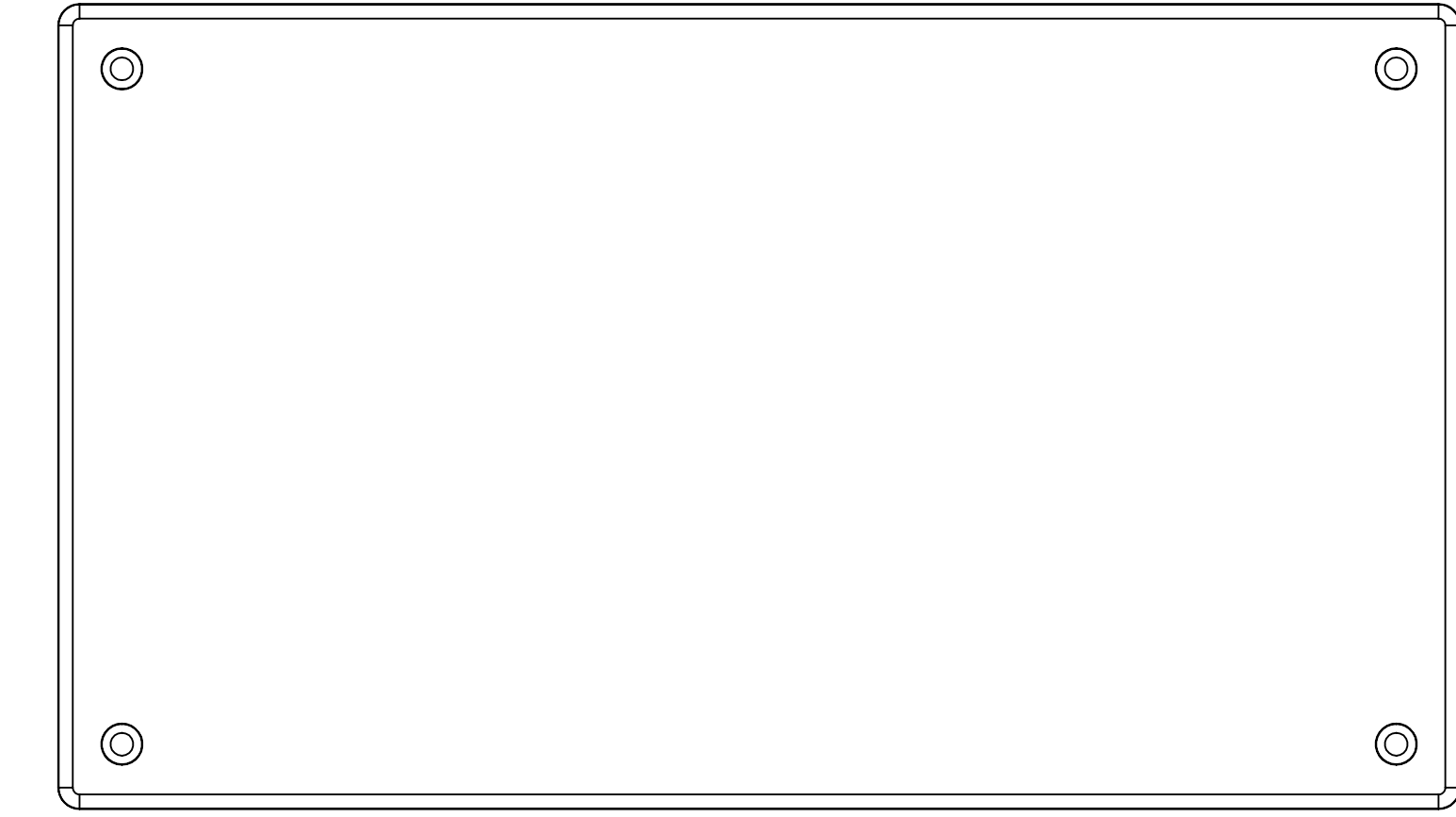
COVER: 6 SURFACE



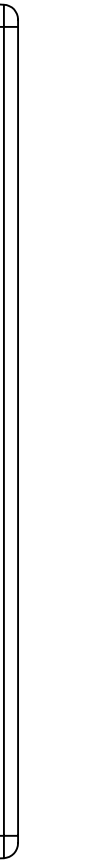
SURFACE-7



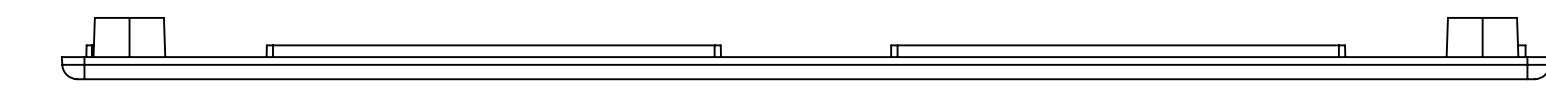
SURFACE-9



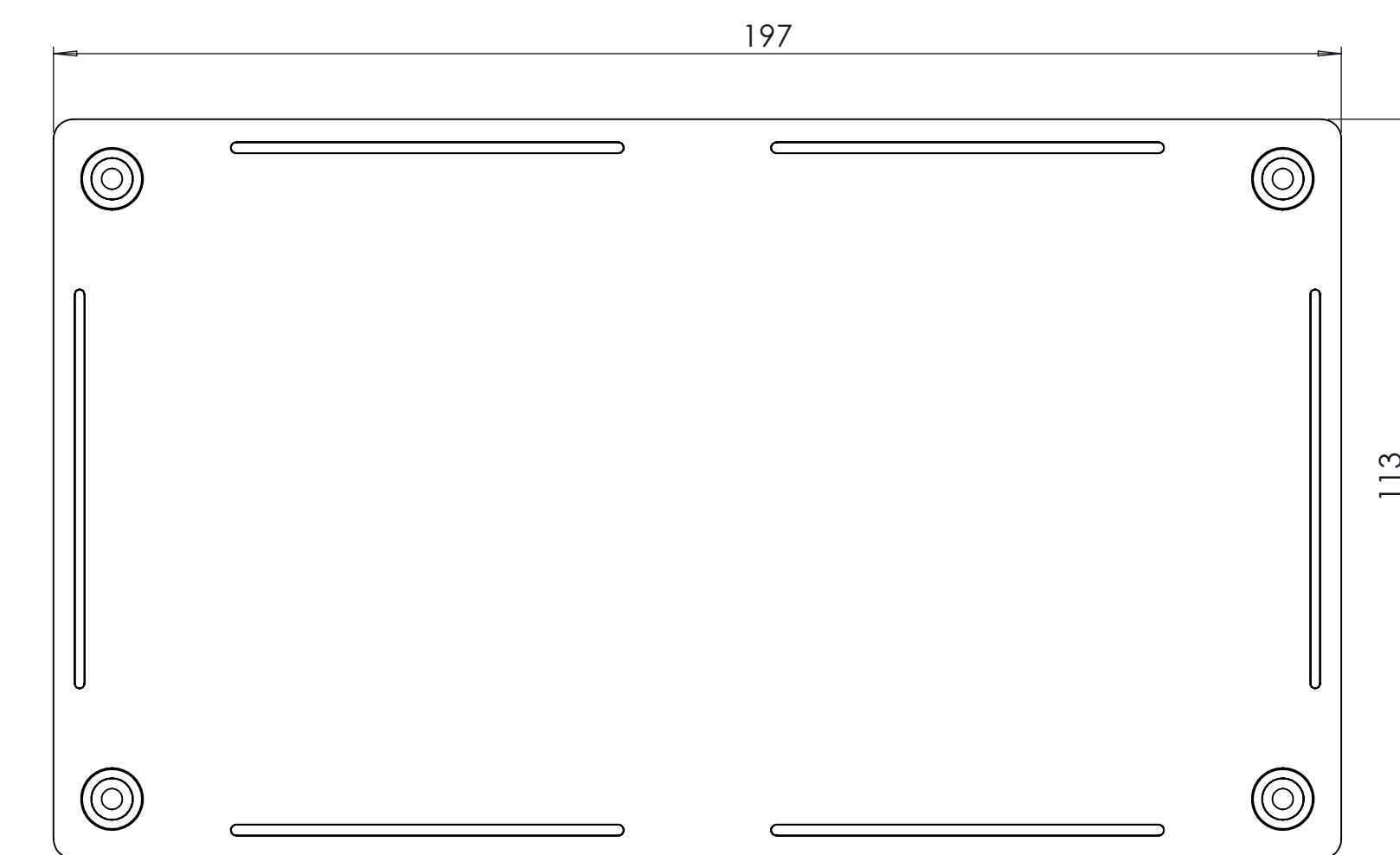
SURFACE-11



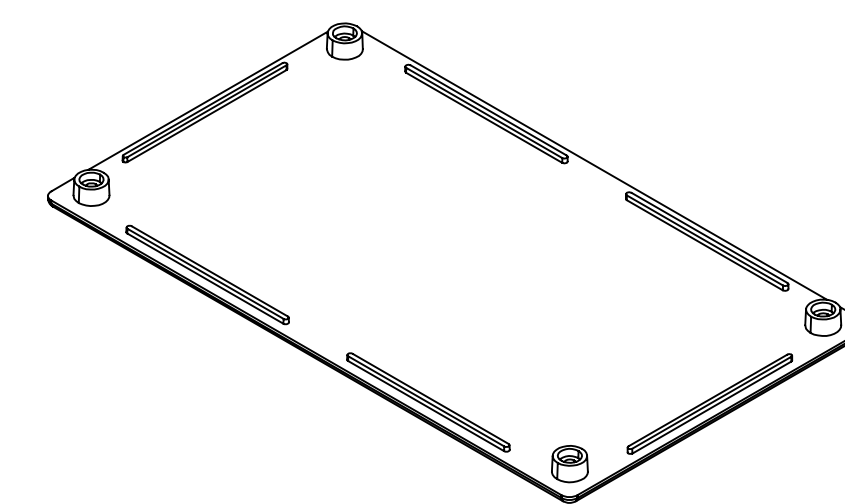
SURFACE-10




SURFACE-8

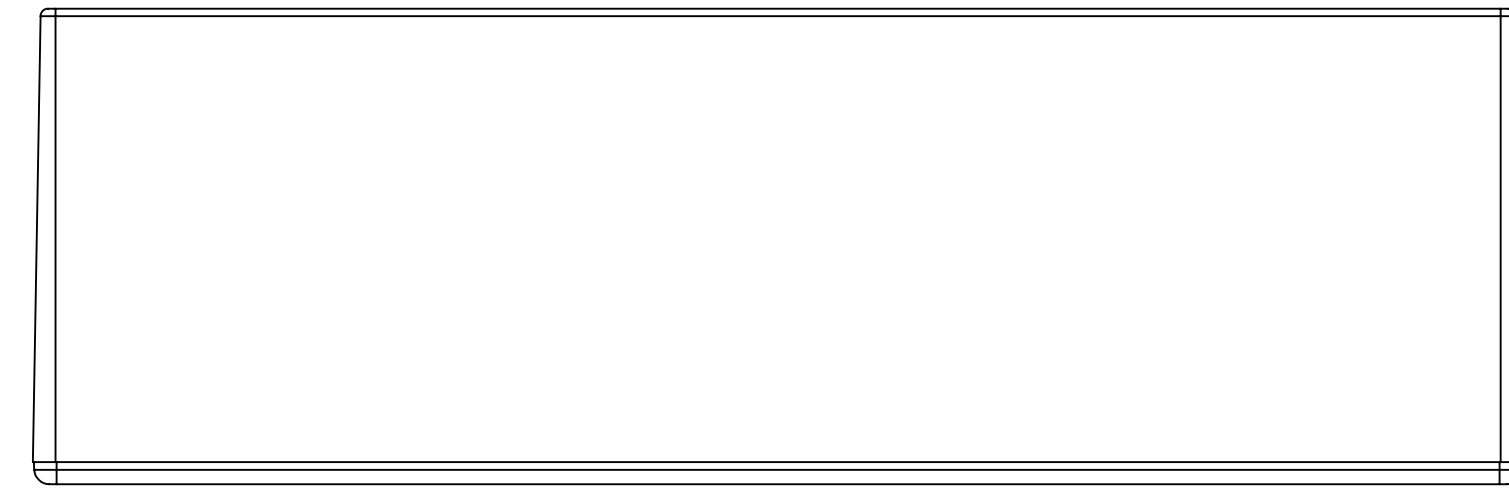


SURFACE-12 (INSIDE)

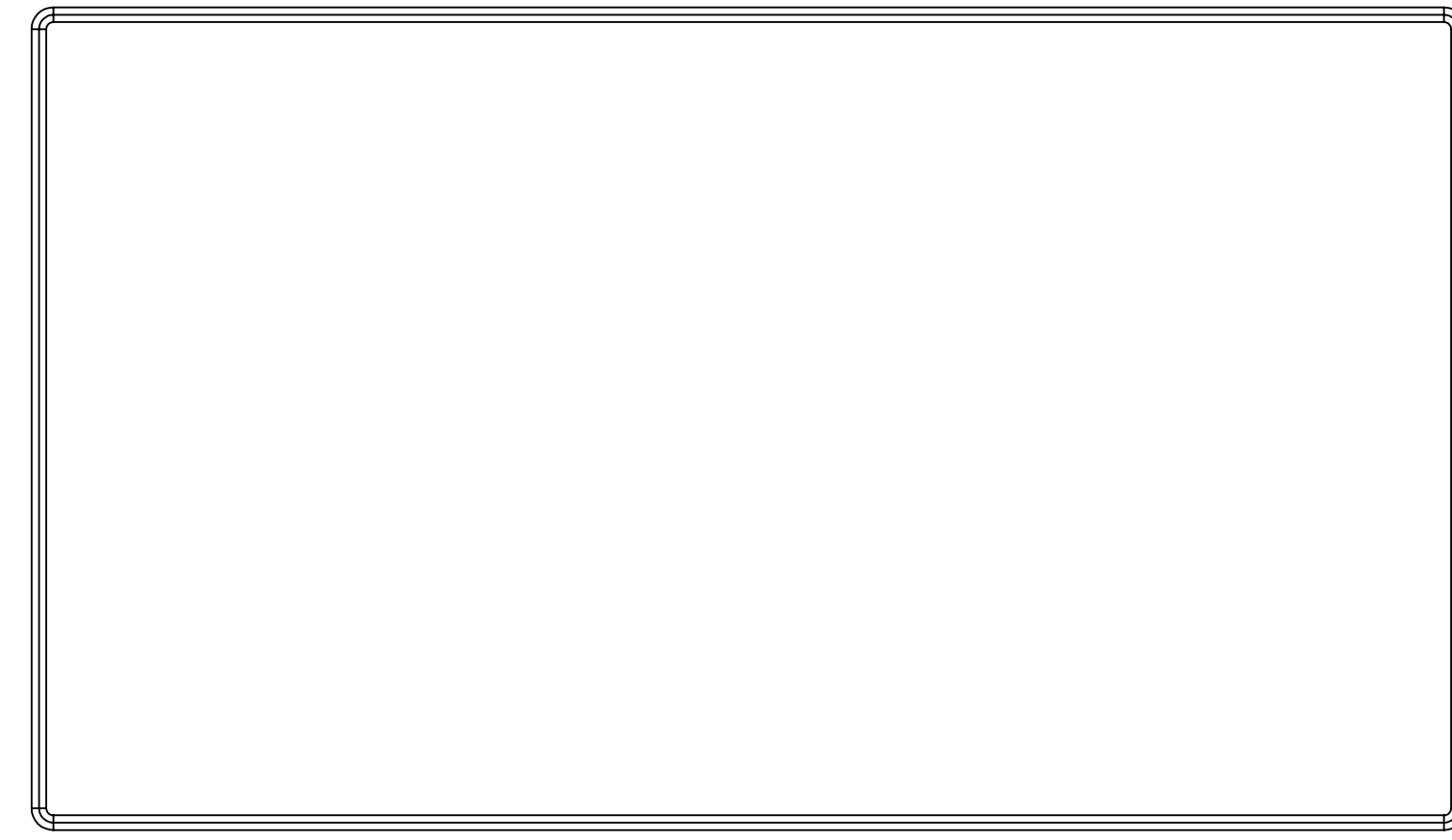


REV. NO	DATE	REVISED BY	DESCRIPTION OF CHANGE	
 ALTINKAYA Electronic Enclosures & Components			www.altinkaya.com	
Customer Name:		Customer Ref.:		
Altinkaya Ref.:		Part Name: PR-240		
NAME	DATE	Drawn From:	SCALE 1:1	
DRAWN S.YESILOZ	21.09.2024	Material:	SHEET 1 OF 2	
CHECKED Y.YEL	21.09.2024	Weight:	UNIT: mm	
DIMENSIONAL TOLERANCES UNLESS OTHERWISE SPECIFIED (DIN7168)			0.5-3mm	3-6mm
			±0.1	±0.1
			6-30mm	30-120mm
			±0.2	±0.3
			120-400mm	Dimension (mm)
			±0.5	±0.5
			m (Medium)	
			A0	

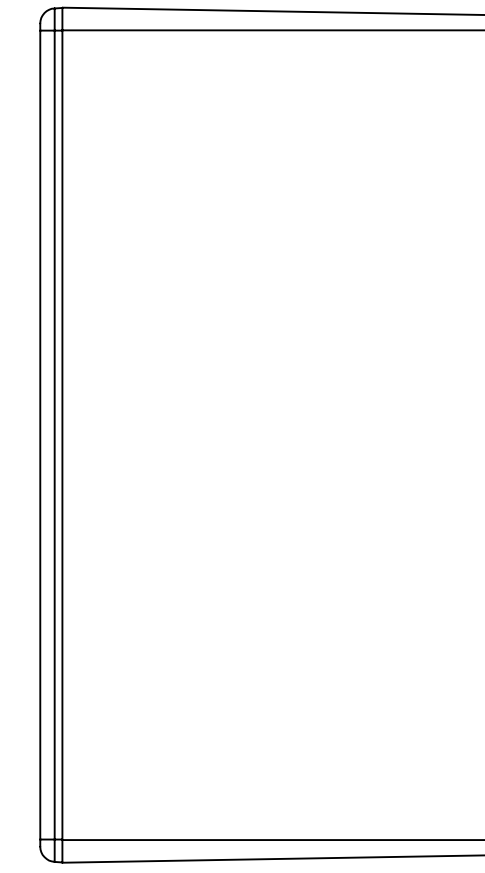
PR-240 IF MACHINED TOGETHER



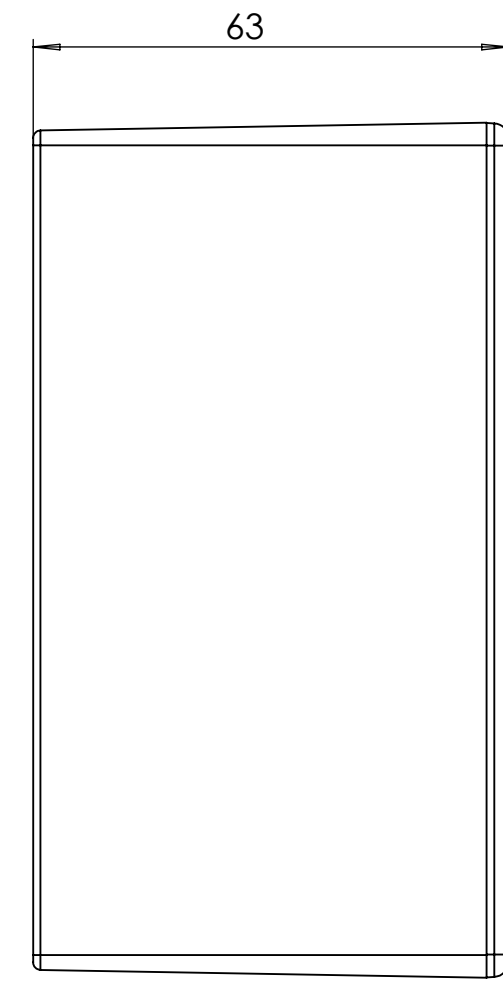
SURFACE-13



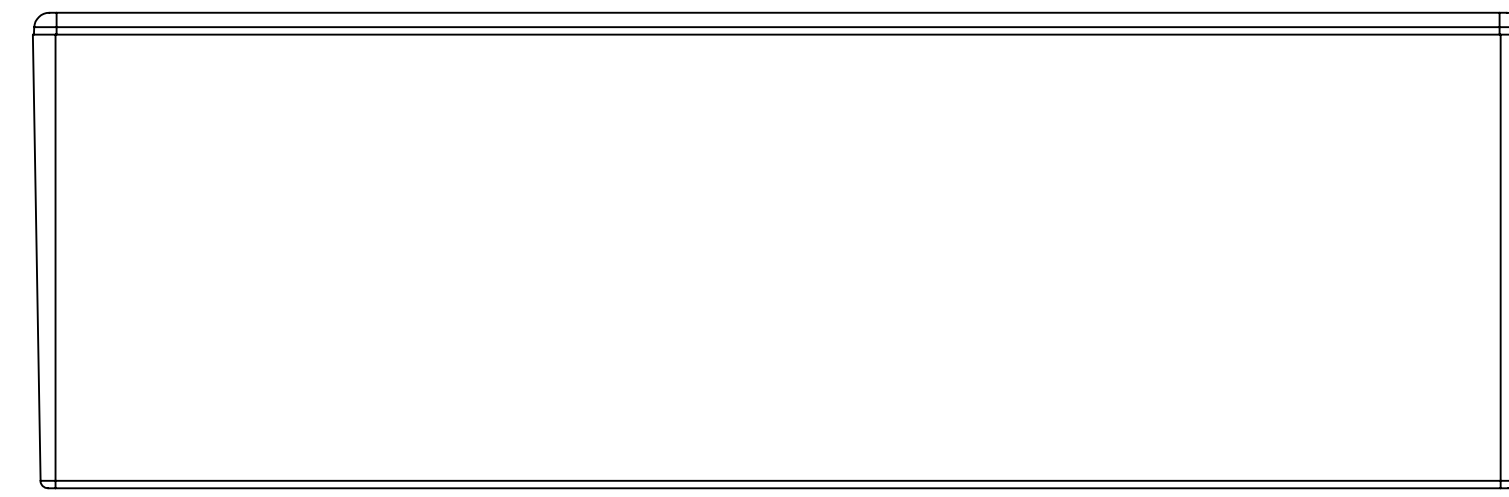
SURFACE-17



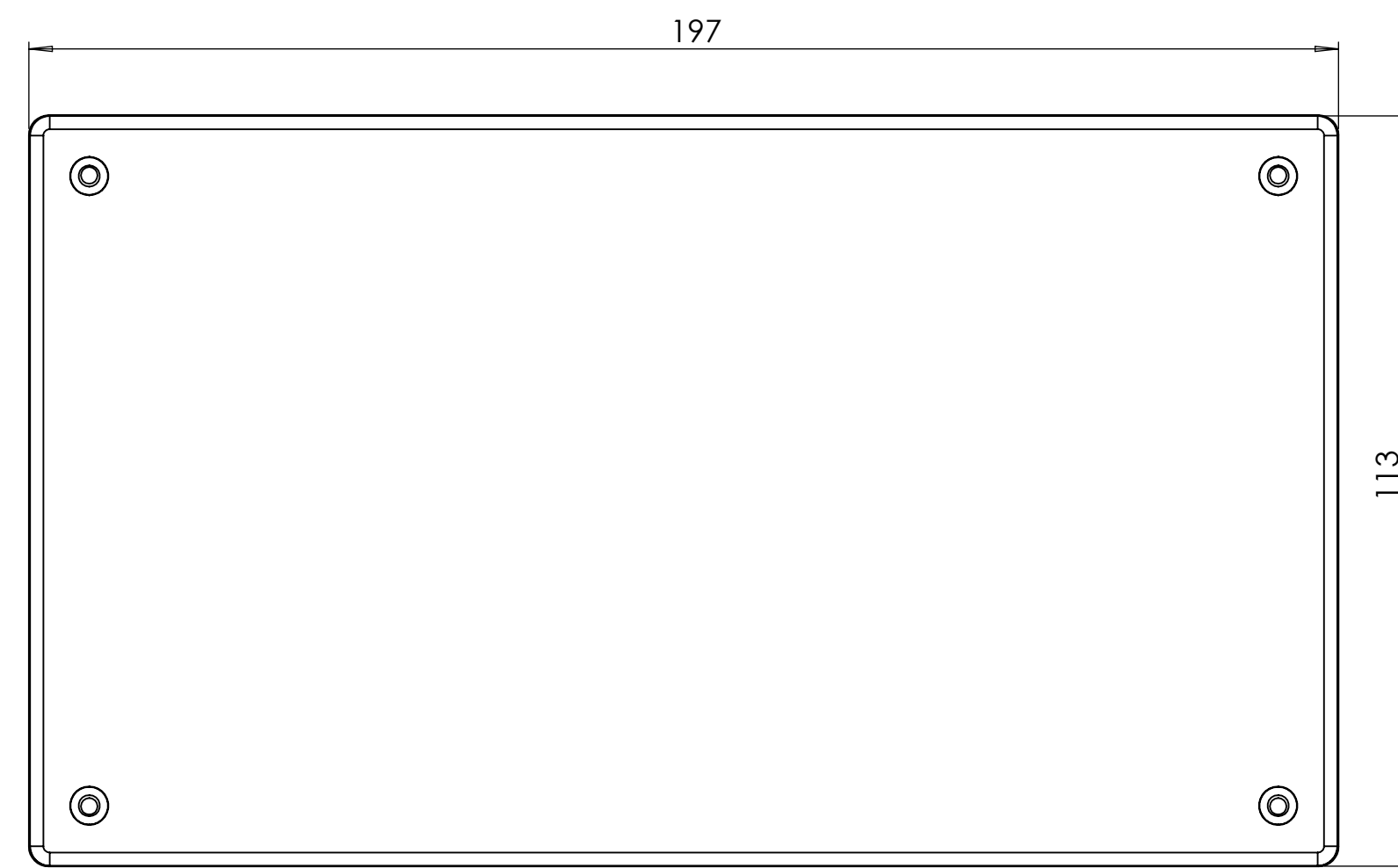
SURFACE-16



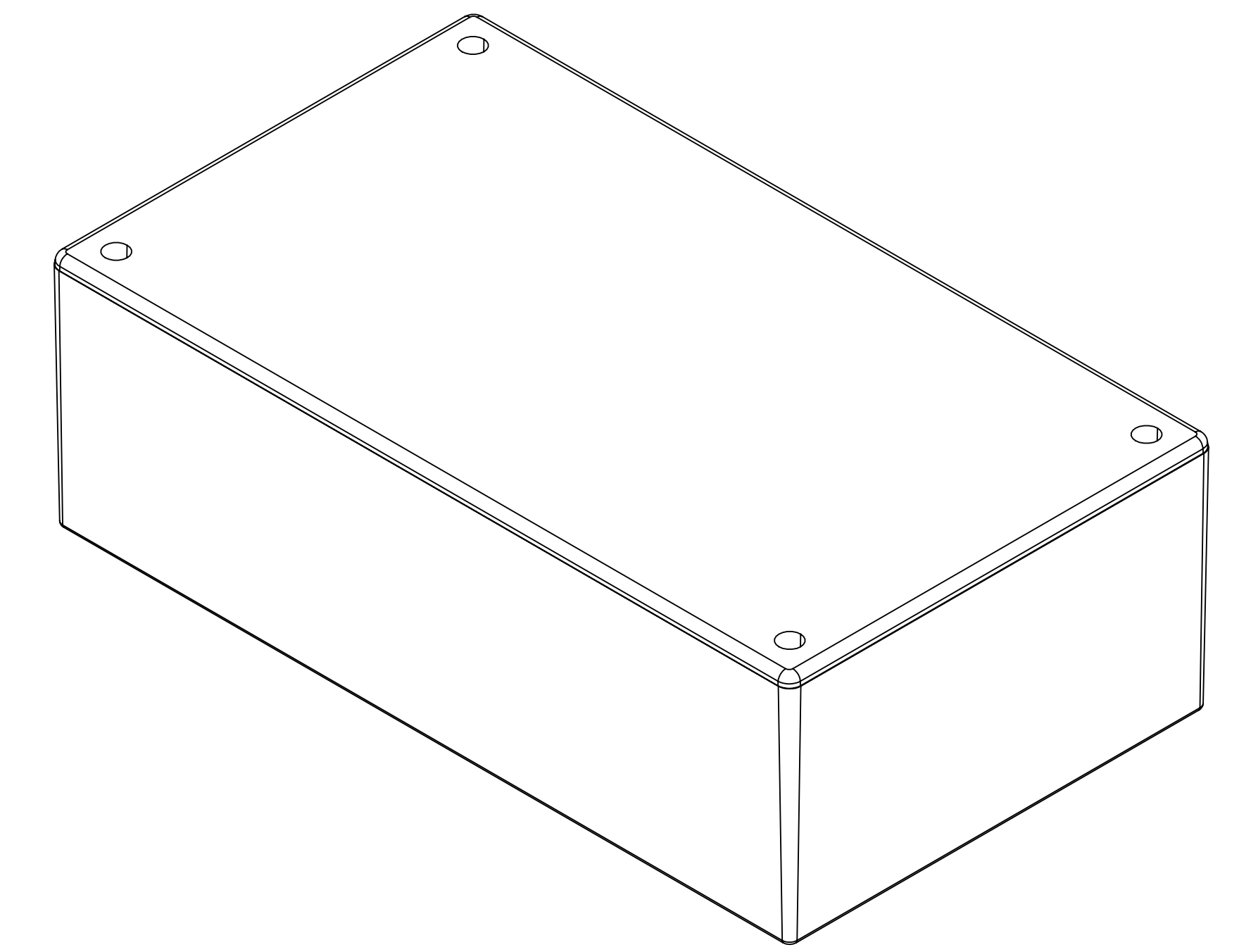
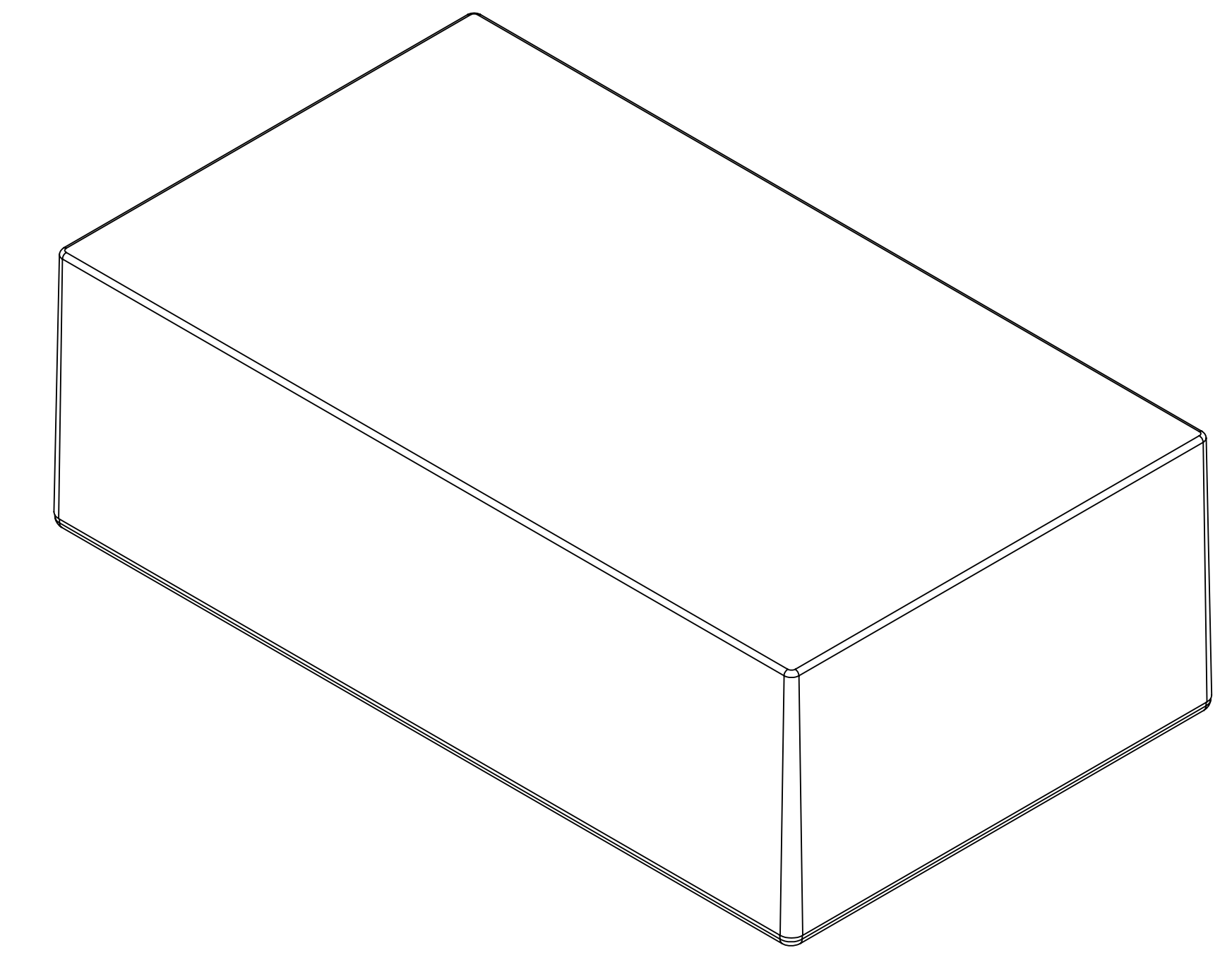
SURFACE-15




SURFACE-14



SURFACE-18



REV. NO	DATE	REVISED BY	DESCRIPTION OF CHANGE	
 ALTINKAYA Electronic Enclosures & Components			www.altinkaya.com	
Customer Name:		Customer Ref. :		
Altinkaya Ref. :		Part Name: PR-240		
DRAWN	NAME	DATE	Drawn From :	SCALE 1:1
	S.YESILOZ	21.09.2024	Material :	SHEET 2 OF 2
CHECKED	Y.YEL	21.09.2024	Weight :	UNIT: mm
DIMENSIONAL TOLERANCES UNLESS OTHERWISE SPECIFIED (DIN7168)		0.5-3mm	3-6mm	6-30mm
		±0.1	±0.1	±0.2
			±0.3	±0.5
			±0.3	±0.5
			±0.5	±0.5
			m (Medium)	AO