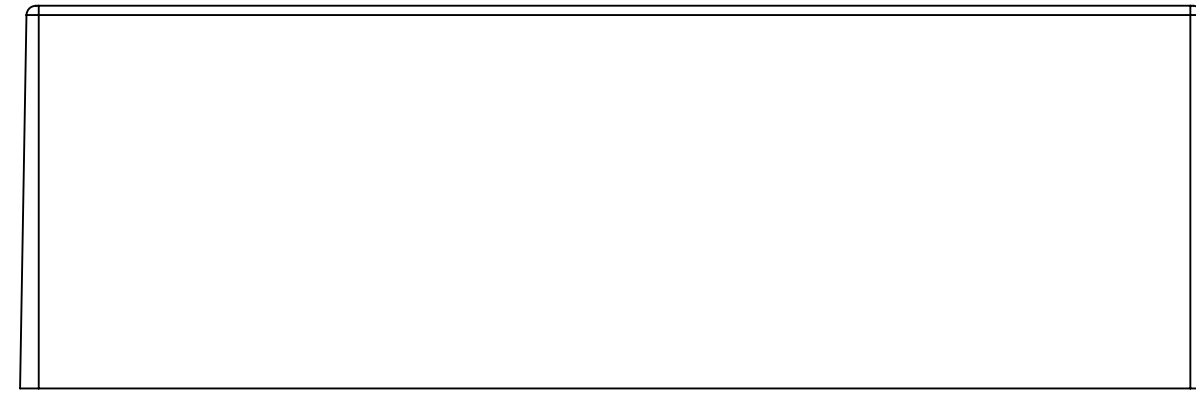
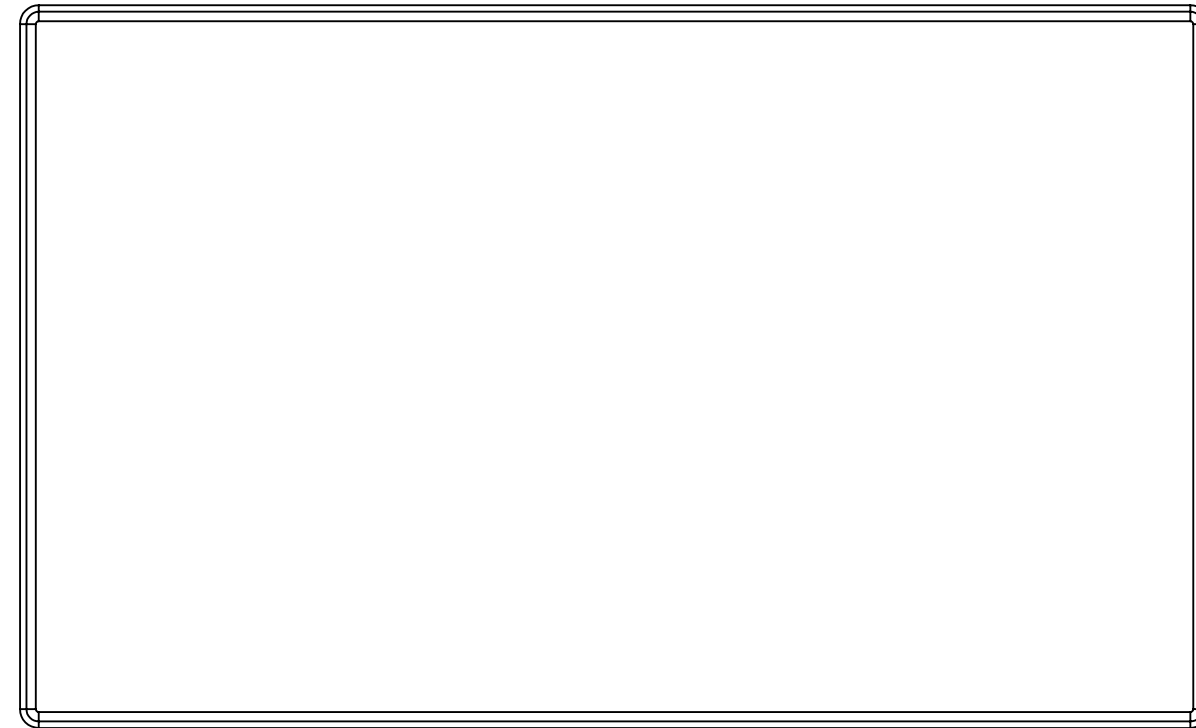


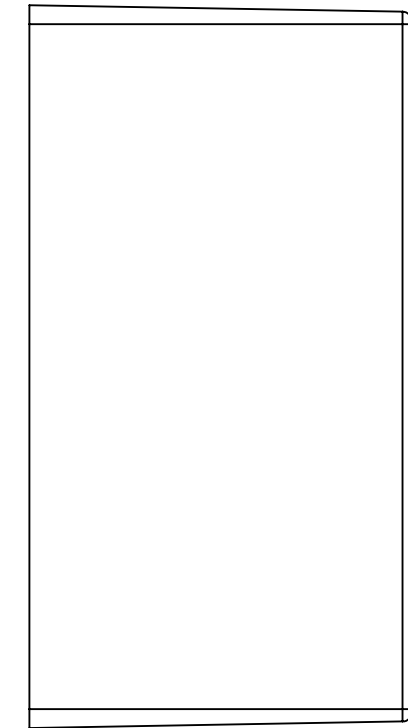
BASE: 6 SURFACE



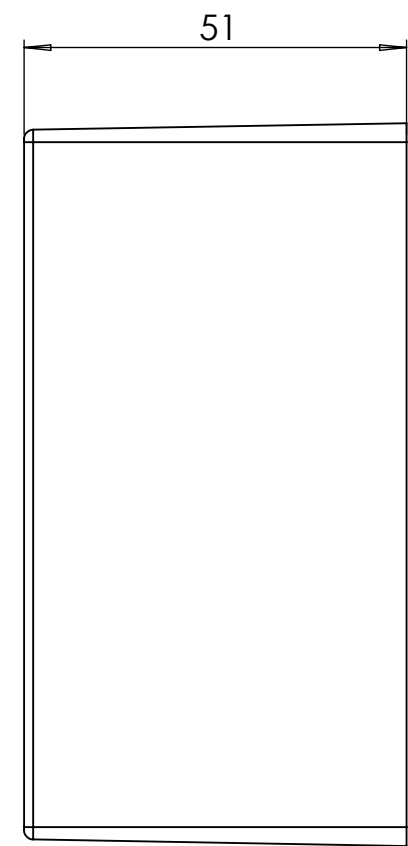
SURFACE-1



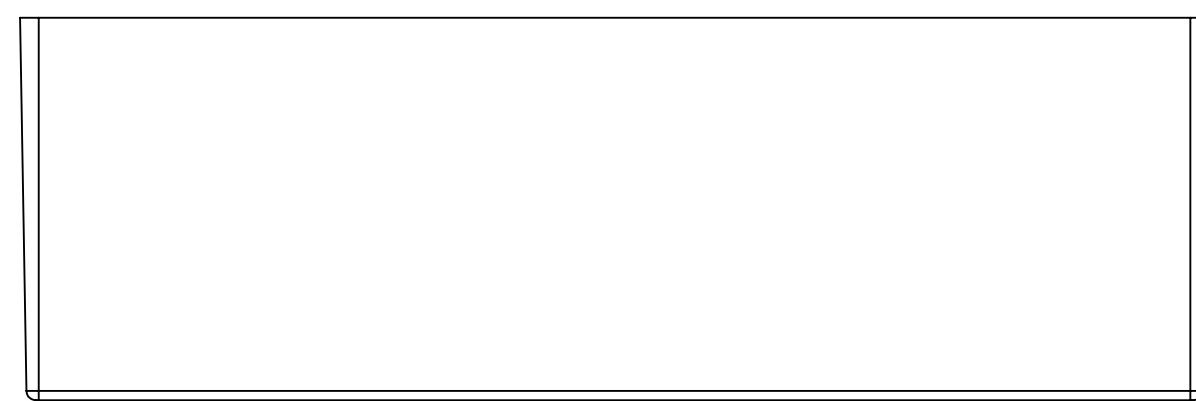
SURFACE-5



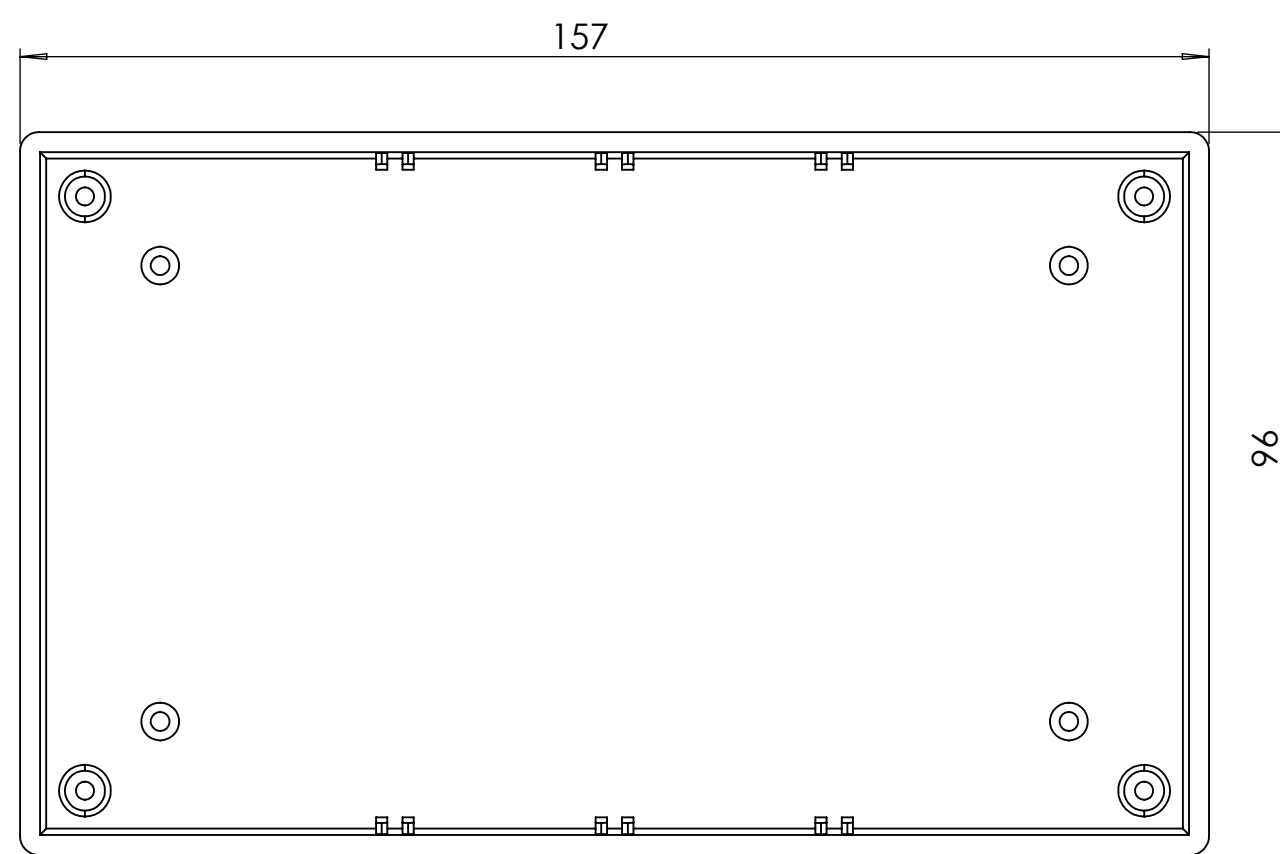
SURFACE-4



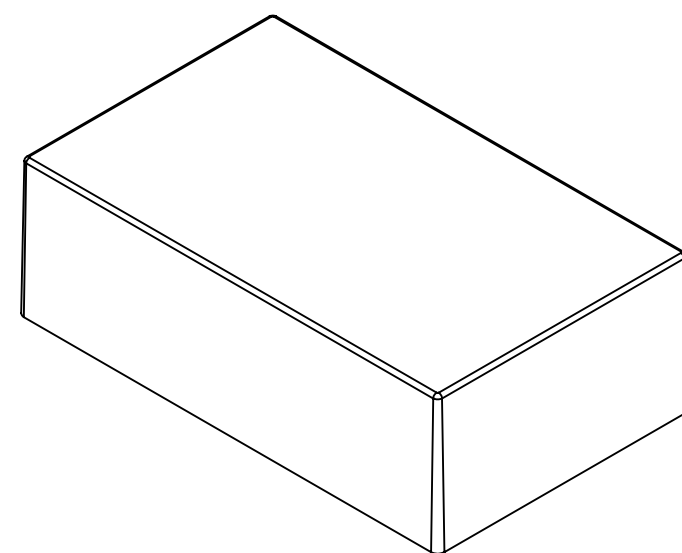
SURFACE-3



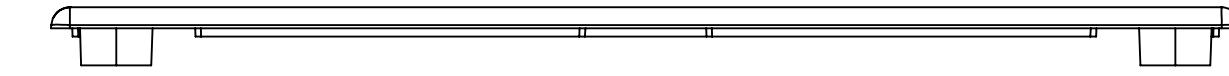
SURFACE-2



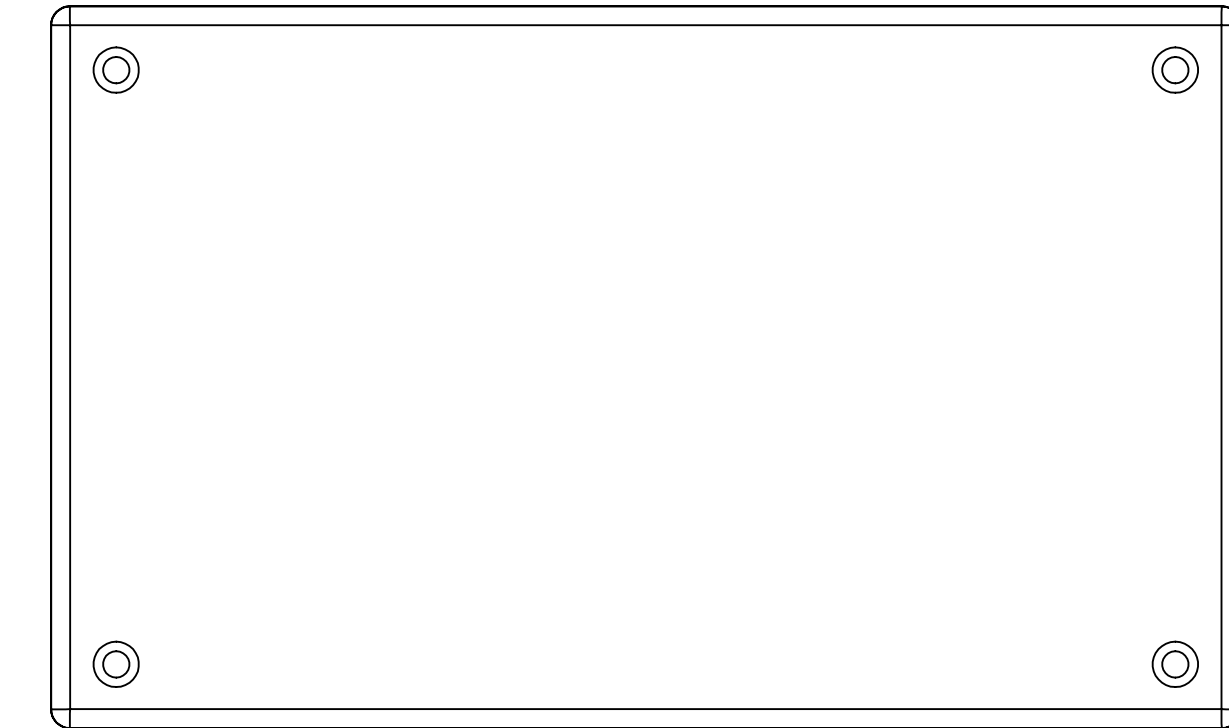
SURFACE-6 (INSIDE)



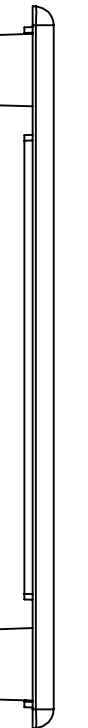
COVER: 6 SURFACE



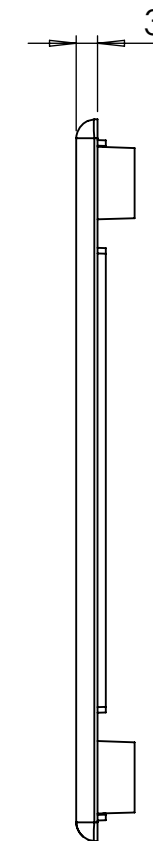
SURFACE-7



SURFACE-11



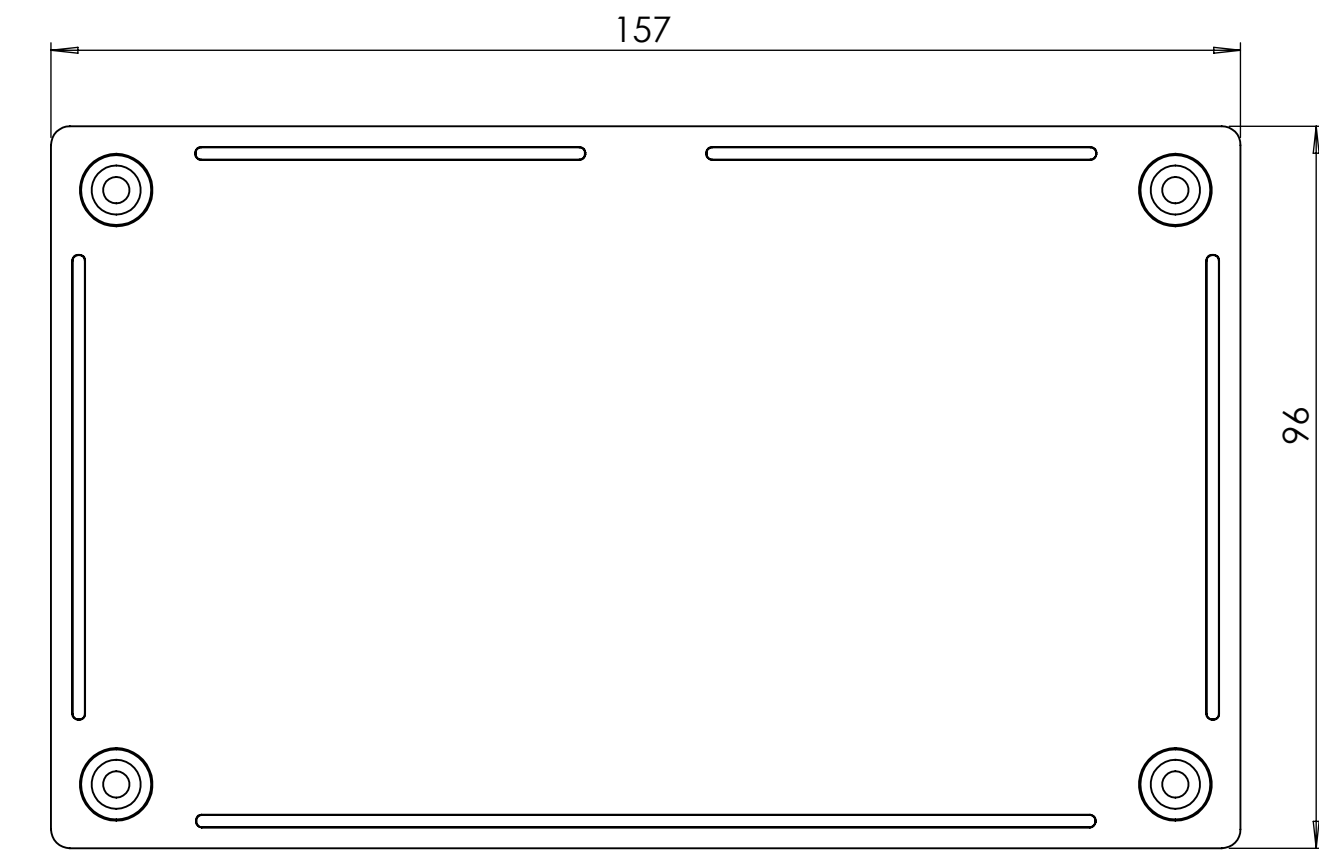
SURFACE-10



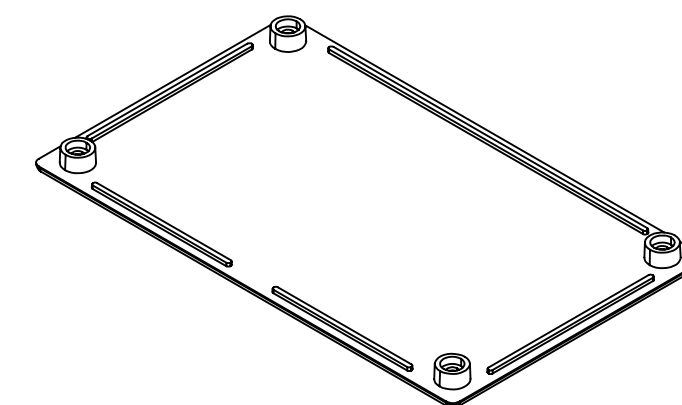
SURFACE-9



SURFACE-8



SURFACE-12 (INSIDE)



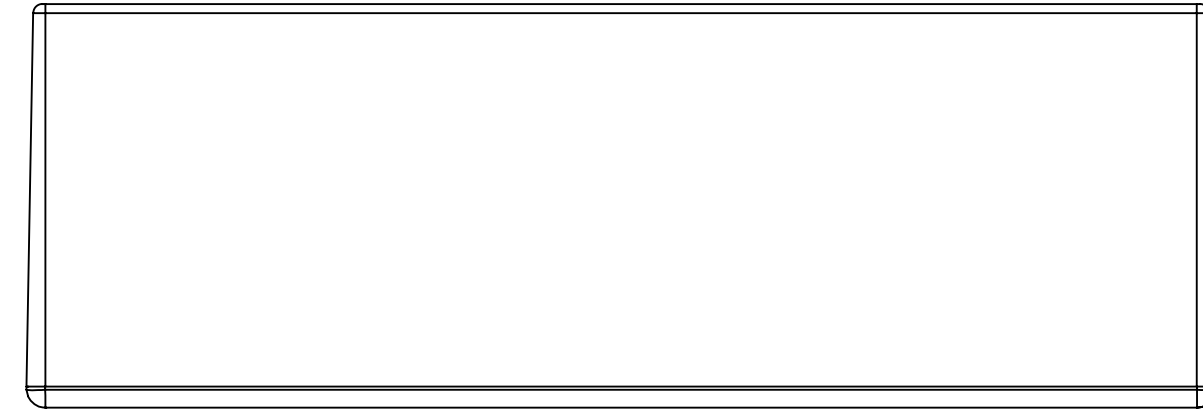
REV. NO.	DATE	REVISED BY	DESCRIPTION OF CHANGE

ALTINKAYA
 Electronic Enclosures & Components
www.altinkaya.com

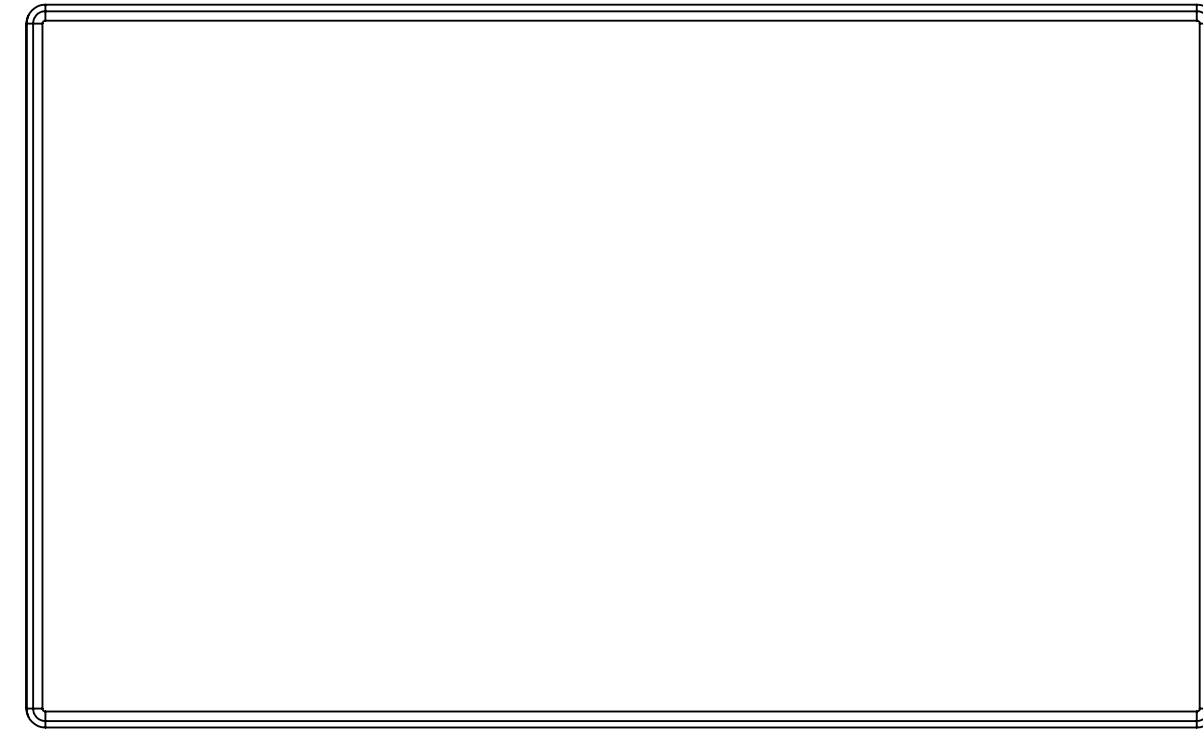
Customer Name:	Customer Ref.:		
Altinkaya Ref.:	Part Name: PR-224		
NAME	DATE	Drawn From:	
DRAWN	Y. YESILOZ	21.09.2024	Material:
CHECKED	Y. YEL	21.09.2024	Weight:
DIMENSIONAL TOLERANCES UNLESS OTHERWISE SPECIFIED:			SCALE 1:1 UNIT : mm
±0.1	±0.1	±0.2	±0.3
±0.5	±0.5	±0.5	±0.5

SHEET 1 OF 2

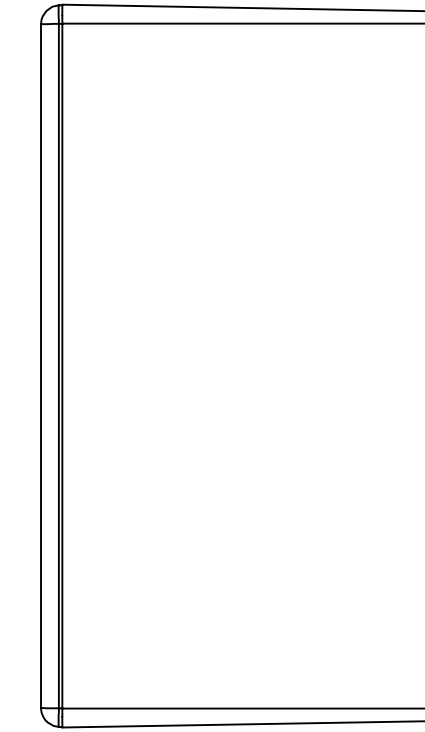
PR-224 IF MACHINED TOGETHER



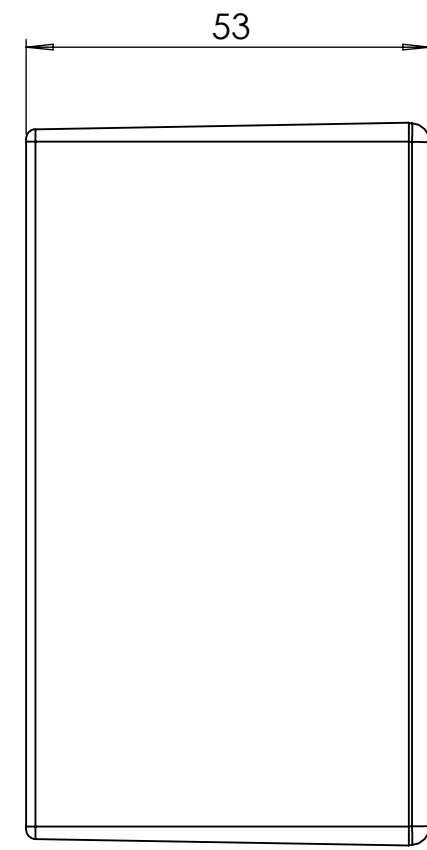
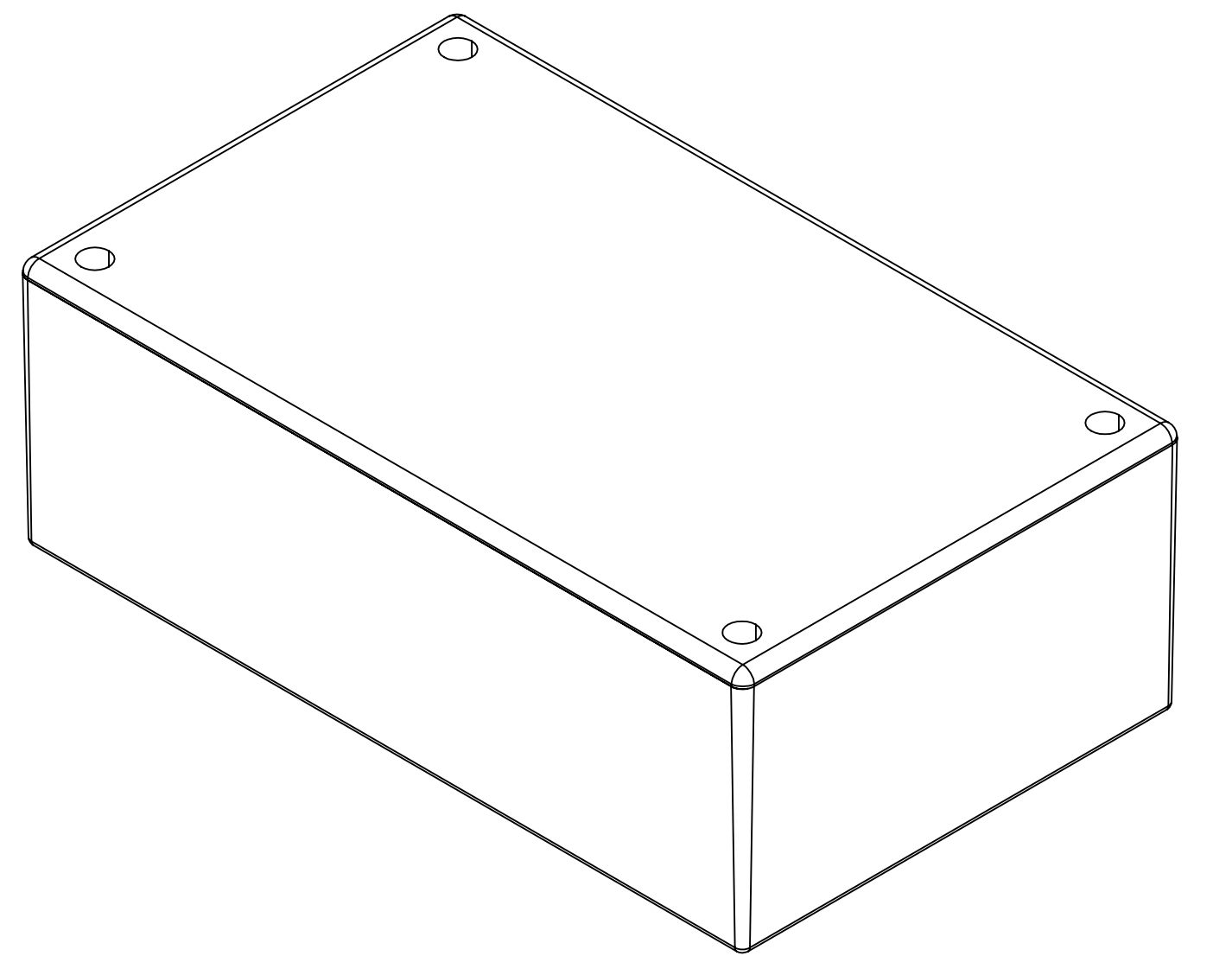
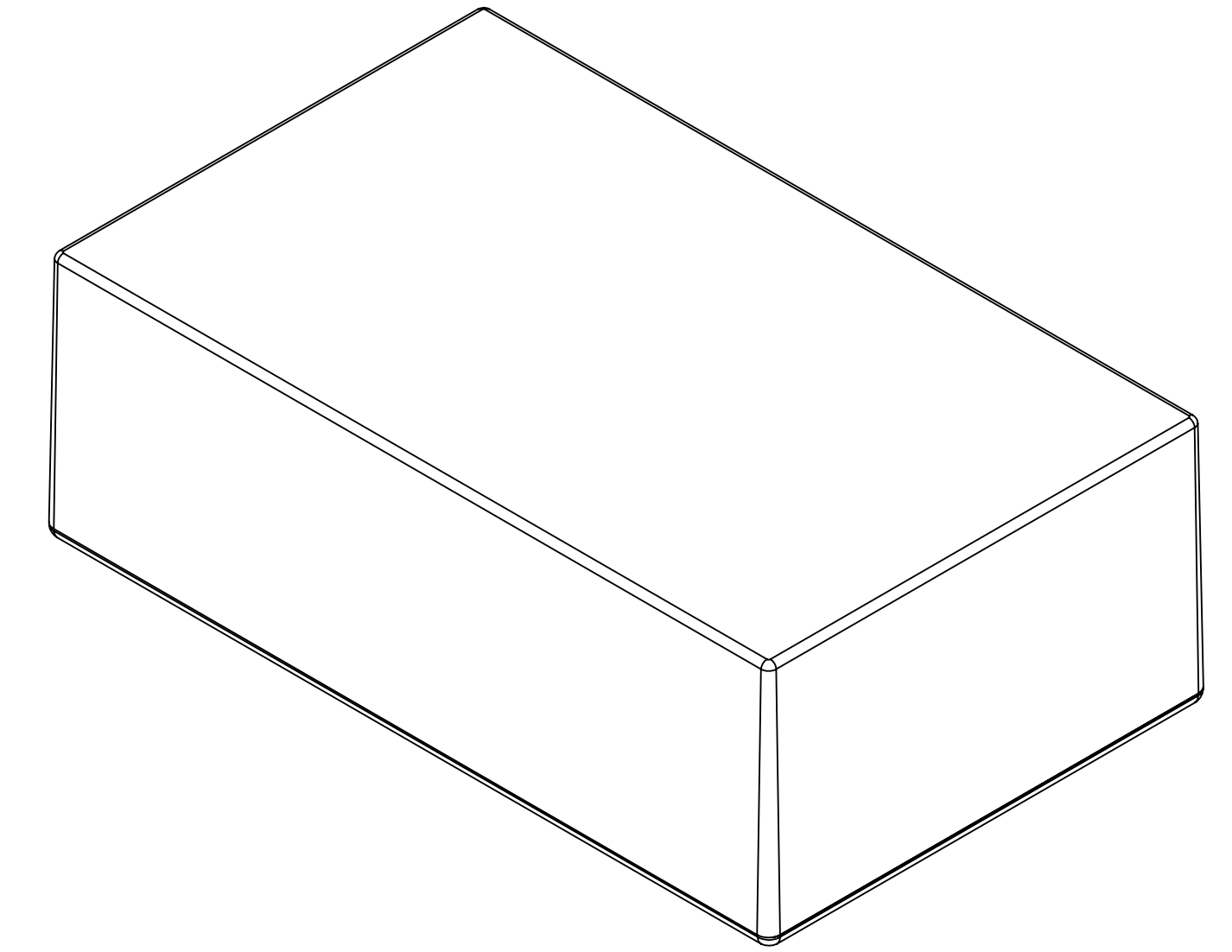
SURFACE-13



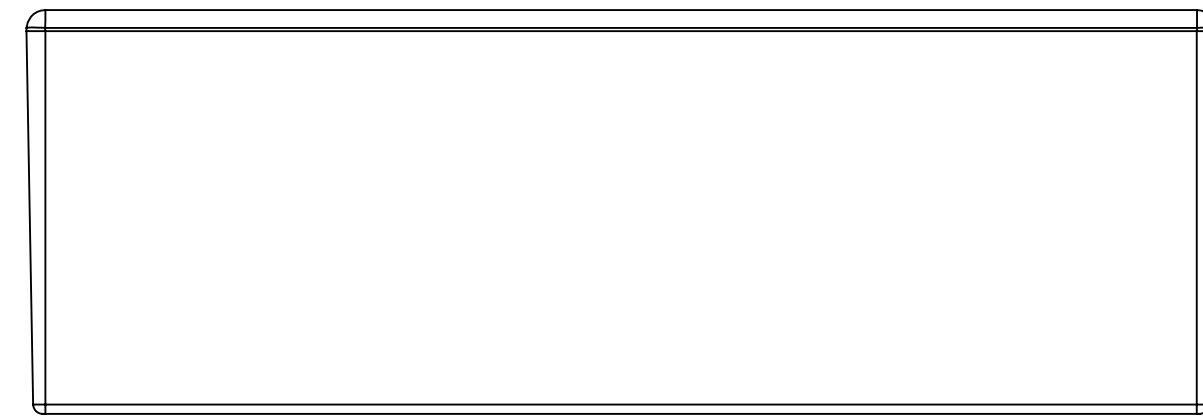
SURFACE-17



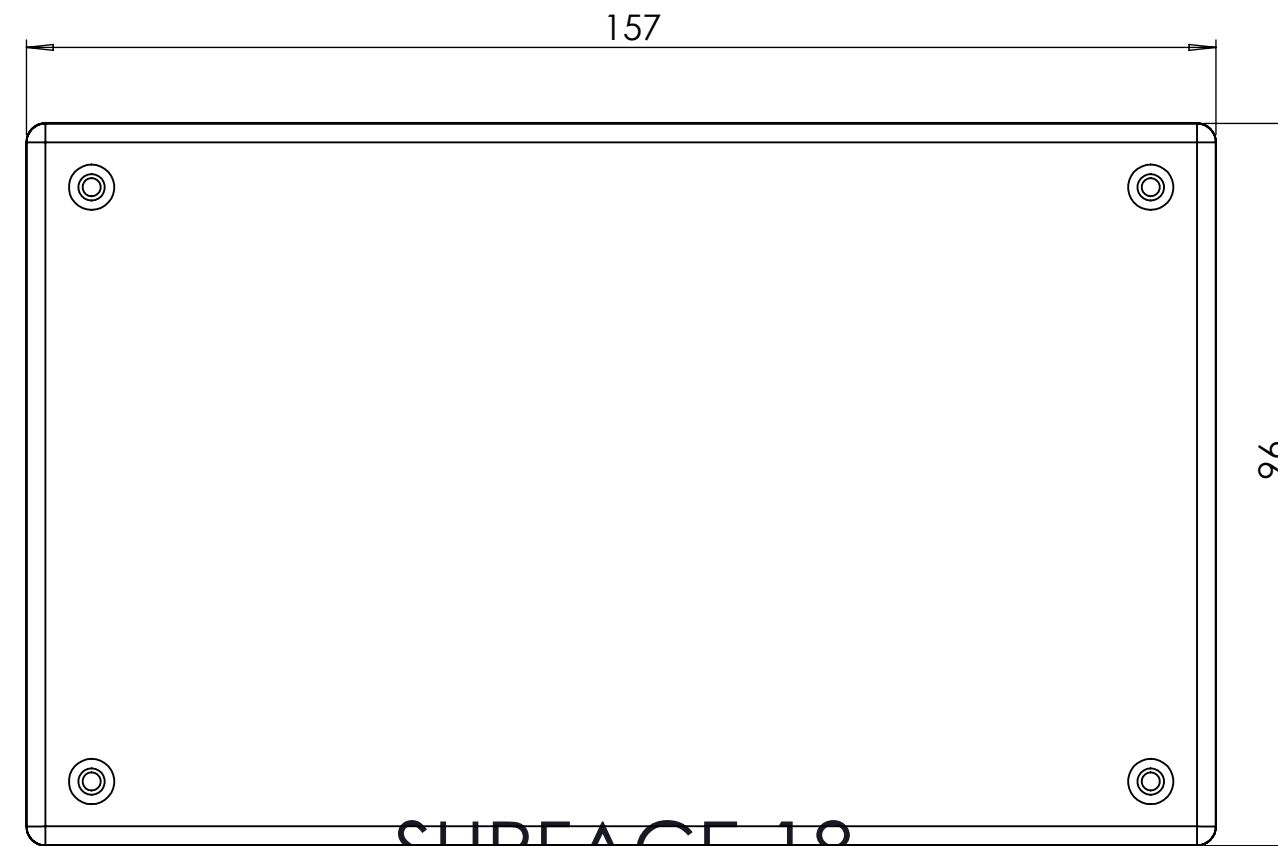
SURFACE-16



SURFACE-15



SURFACE-14



SURFACE-18

REV. NO.	DATE	REVISED BY	DESCRIPTION OF CHANGE
ALTINKAYA Electronic Enclosures & Components			www.altinkaya.com
Customer Name:		Customer Ref.:	
Altinkaya Ref.:		Part Name: PR-224	
DRAWN	NAME	DATE	Drawn From:
CHECKED	Y. YEL	21.09.2024	Material:
DIMENSIONAL TOLERANCES UNLESS OTHERWISE SPECIFIED: (DIN7184)		Weight:	SCALE 1:1 UNIT : mm
	±0.1	±0.1	±0.2
	±0.3	±0.5	±0.5
			Dimension(mm) m(medium)
			30-120mm 120-400mm
			1
			SHEET 2 OF 2