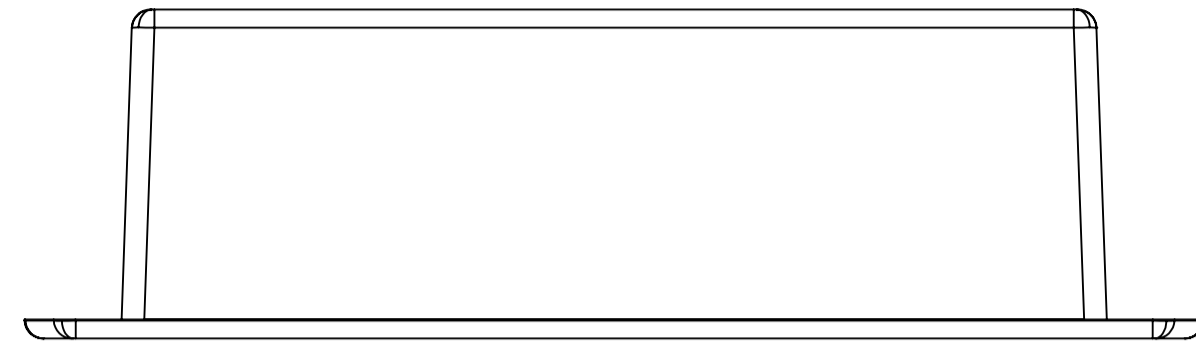
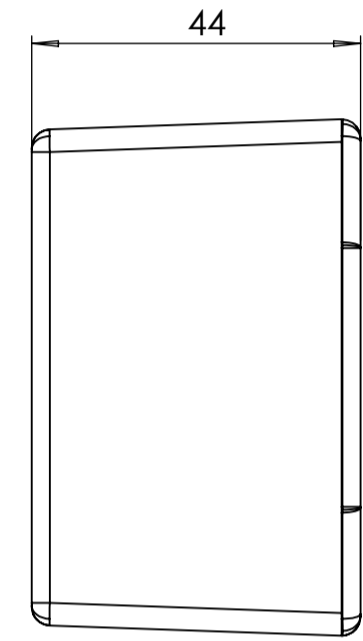




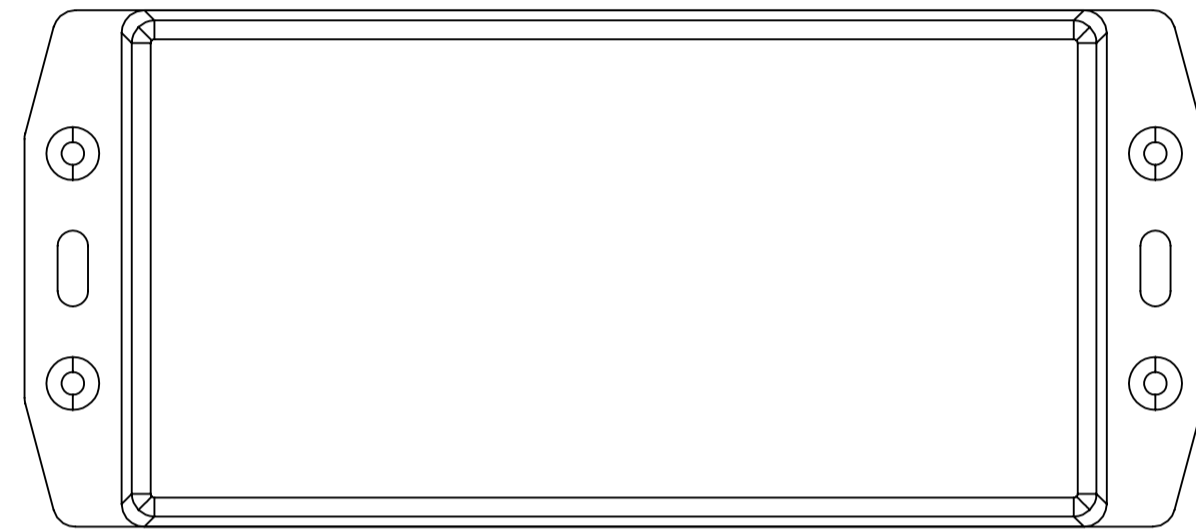
# PR-120-A IF MACHINED TOGETHER



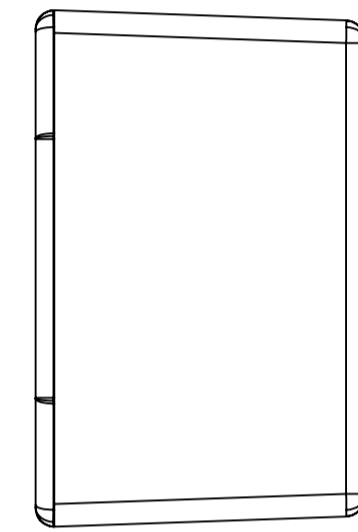
SURFACE-13



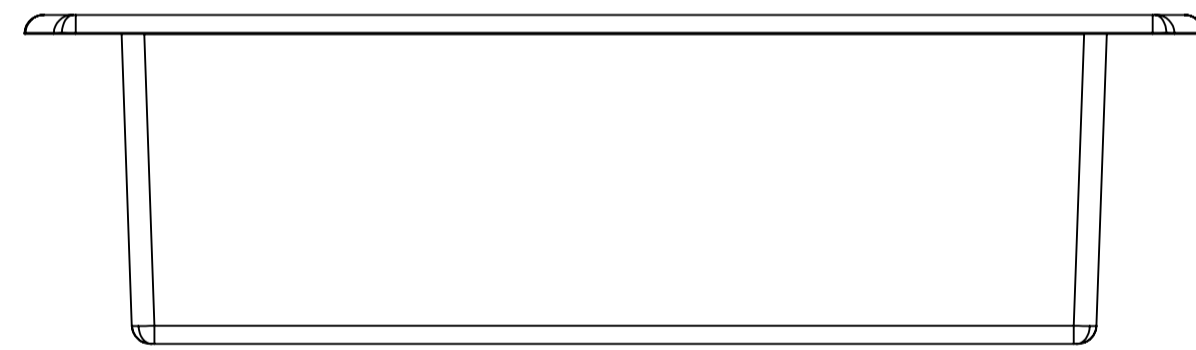
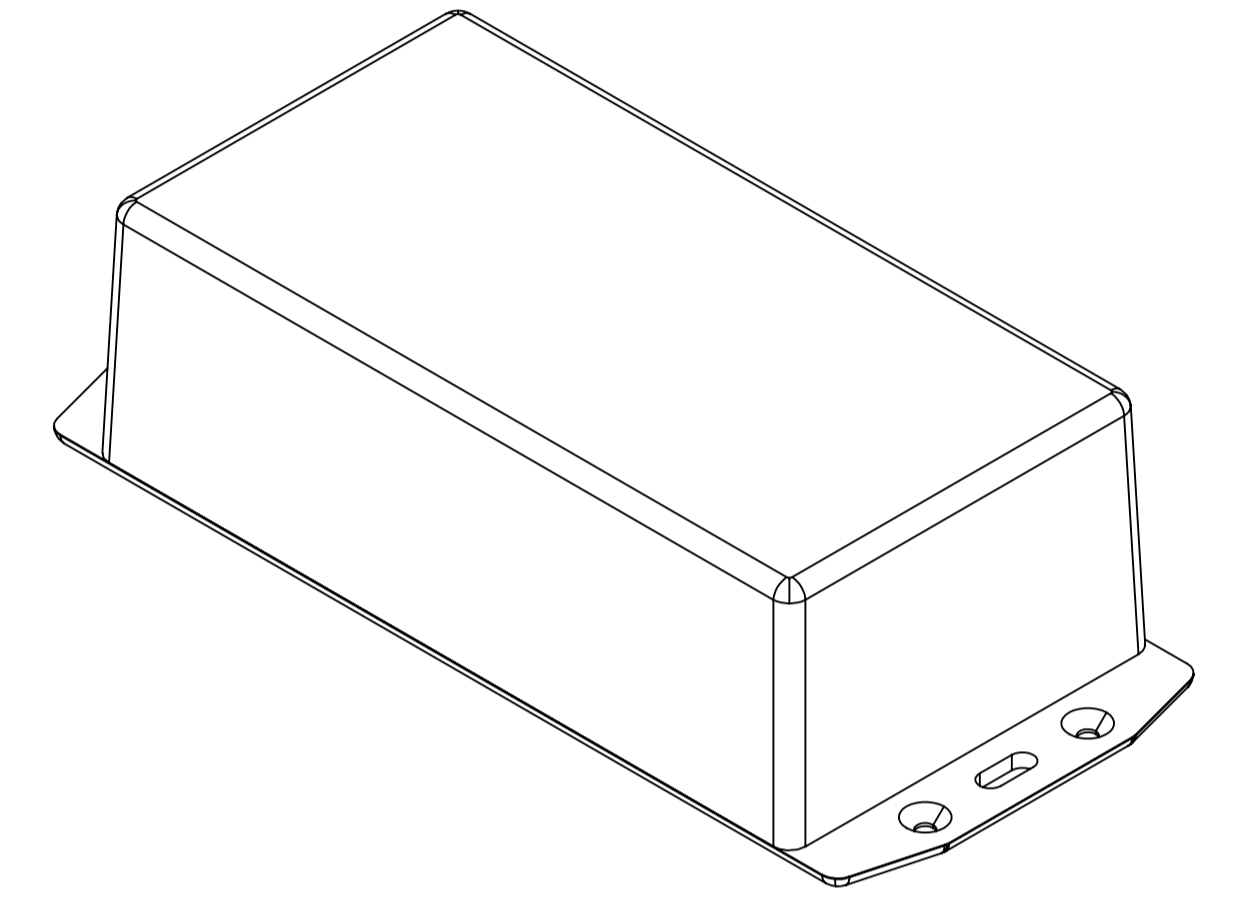
SURFACE-15



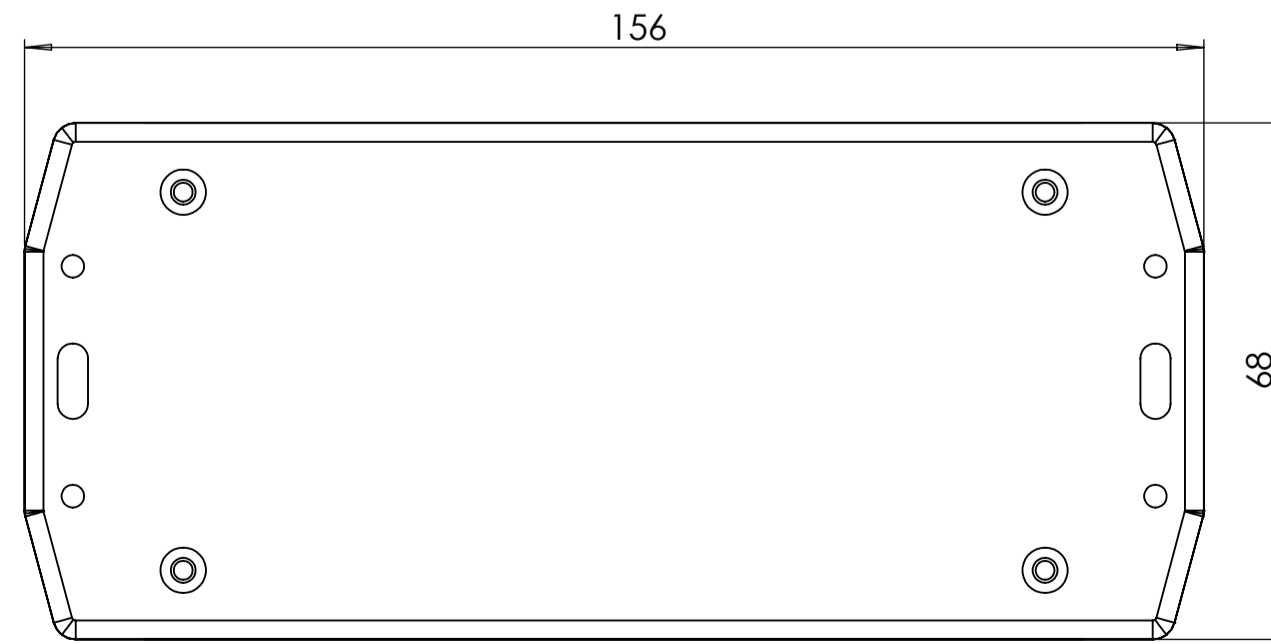
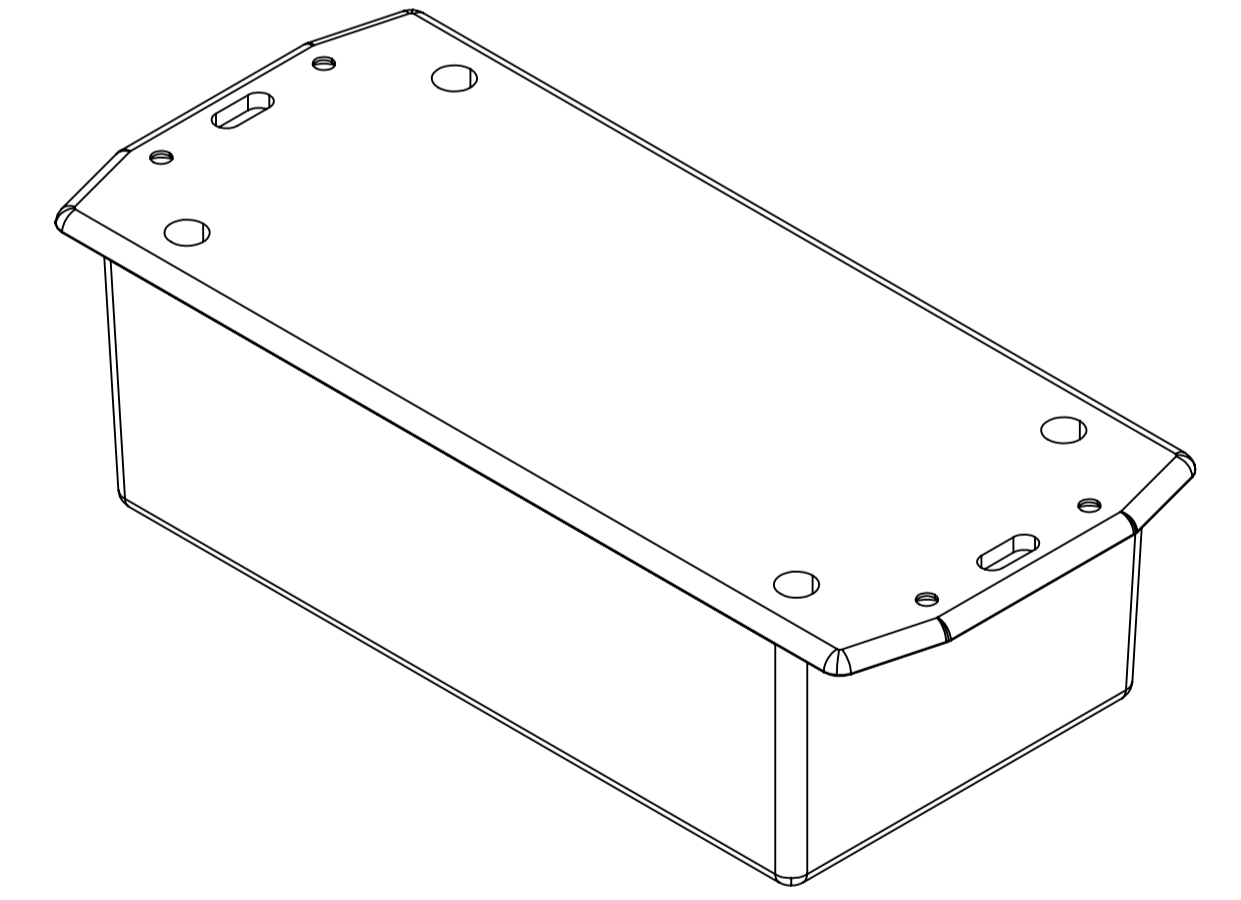
SURFACE-17



SURFACE-16



SURFACE-14



SURFACE-18

REV. NO.	DATE	REVISED BY	DESCRIPTION OF CHANGE
<b>ALTINKAYA</b> Electronic Enclosures & Components			
Customer Name:		Customer Ref.:	
Altinkaya Ref.:		Part Name: PR-120-A	
DRAWN	NAME	DATE	Material:
CHECKED	Y. YESILOZ	21.09.2024	Weight:
DIMENSIONAL TOLERANCES UNLESS OTHERWISE SPECIFIED:			SCALE 1:1 UNIT : mm
(R&T/148)	±0.1	±0.1	±0.2
	±0.1	±0.2	±0.3
		±0.5	±0.5
			Dimension(mm)
			30-120mm
			120-400mm
			m(medium)
SHEET 2 OF 2			A1