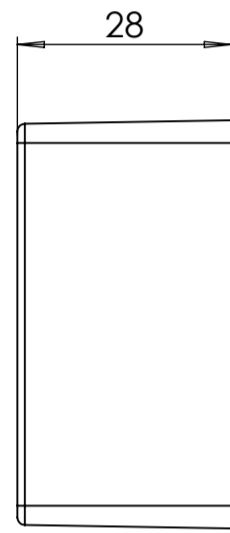


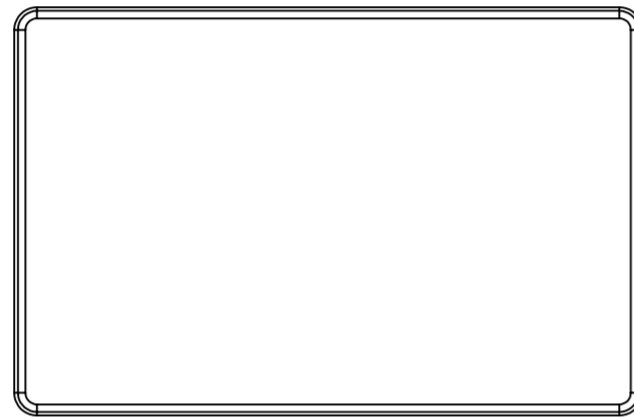
BASE: 6 SURFACE



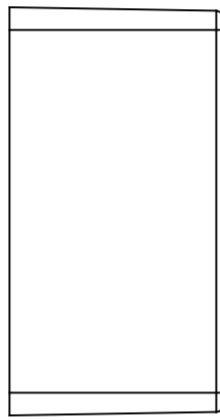
SURFACE-1



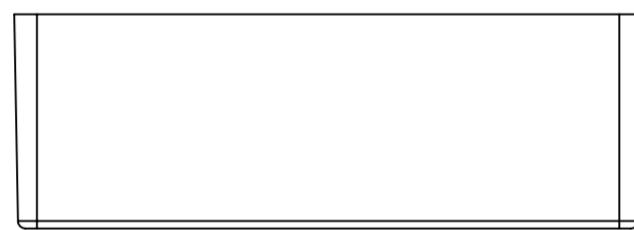
SURFACE-3



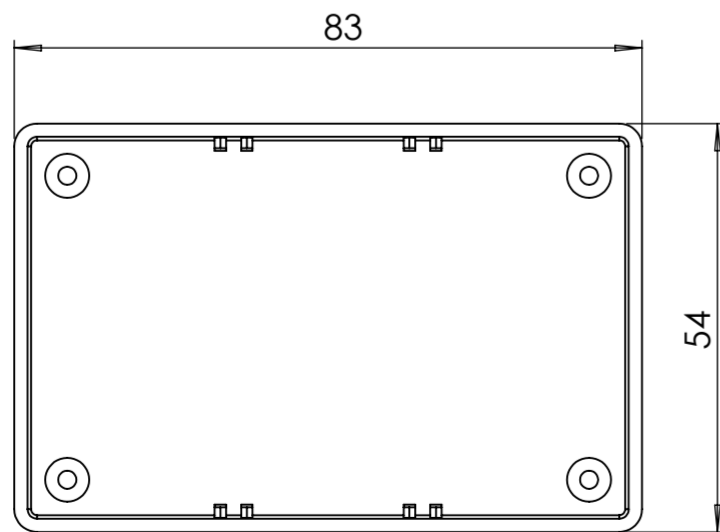
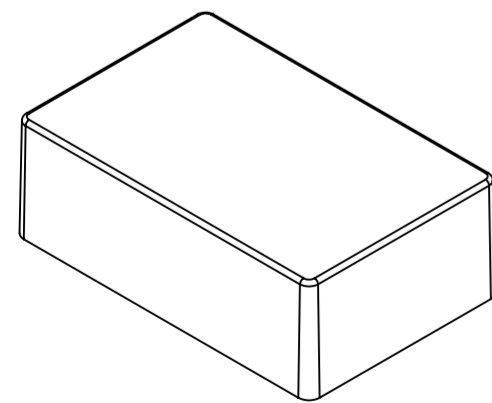
SURFACE-5



SURFACE-4

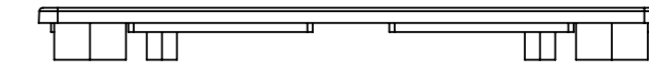


SURFACE-2

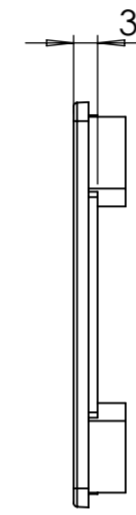


SURFACE-6 (INSIDE)

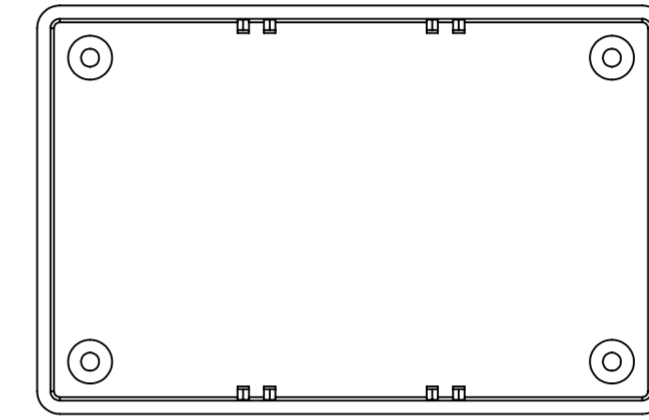
COVER: 6 SURFACE



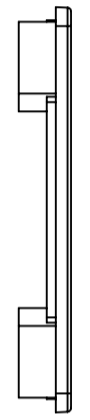
SURFACE-7



SURFACE-9



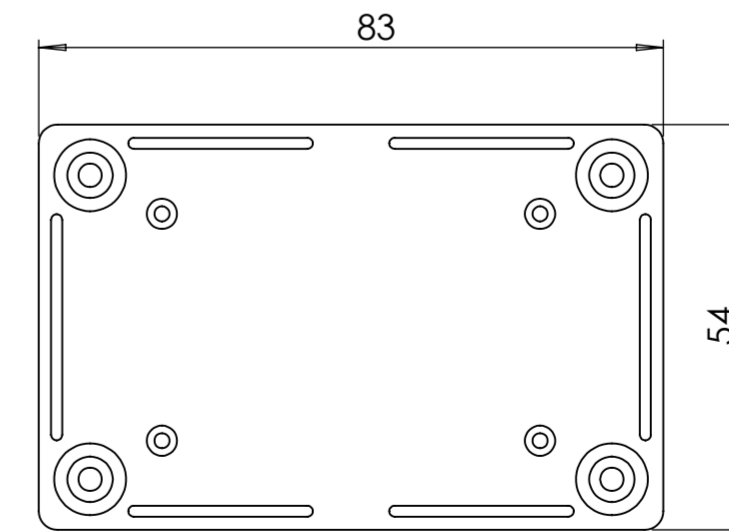
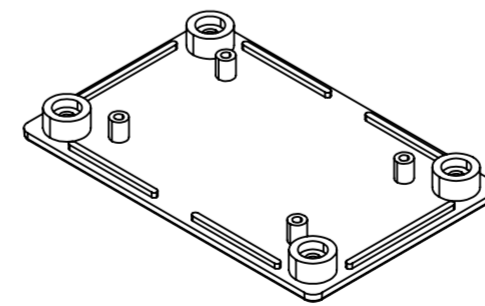
SURFACE-11



SURFACE-10



SURFACE-8



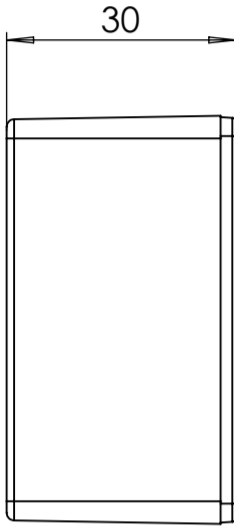
SURFACE-12 (INSIDE)

REV. NO	DATE	REVISED BY	DESCRIPTION OF CHANGE
ALTINKAYA Electronic Enclosures & Components			
Customer Name:		Customer Ref.:	
Allinkaya Ref.:		Part Name: PR-040	
DRAWN	NAME	DATE	Drawn From:
CHECKED	Y.YEL	20.09.2024	Weight:
DIMENSIONAL TOLERANCES (UNLESS OTHERWISE SPECIFIED (DIN 7148))			
	0,5-3mm	3-6mm	6-30mm
	±0,1	±0,1	±0,2
			±0,3
			±0,5
			mm (medium)

PR-040 IF MACHINED TOGETHER



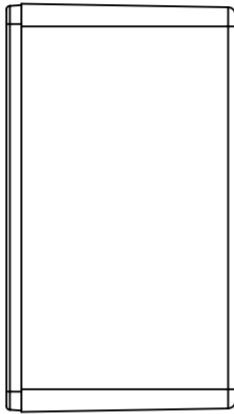
SURFACE-13



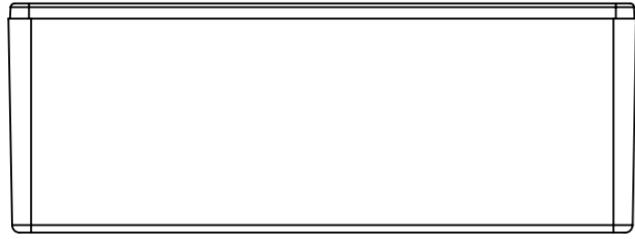
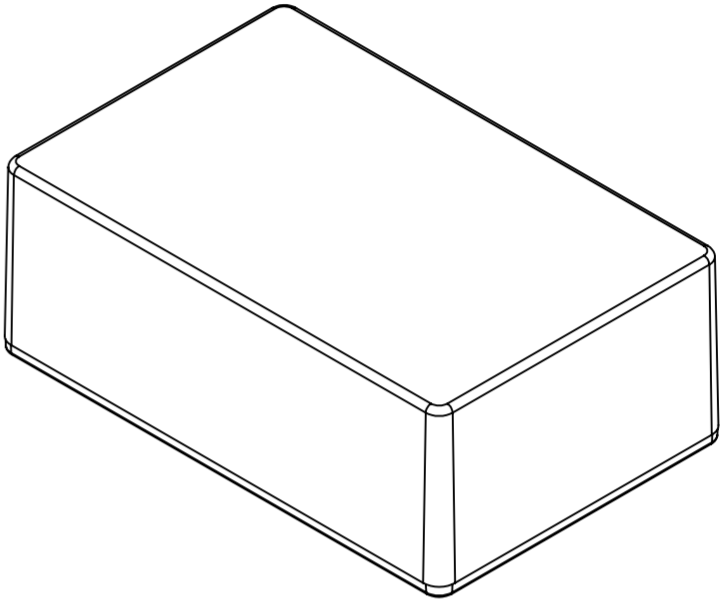
SURFACE-15



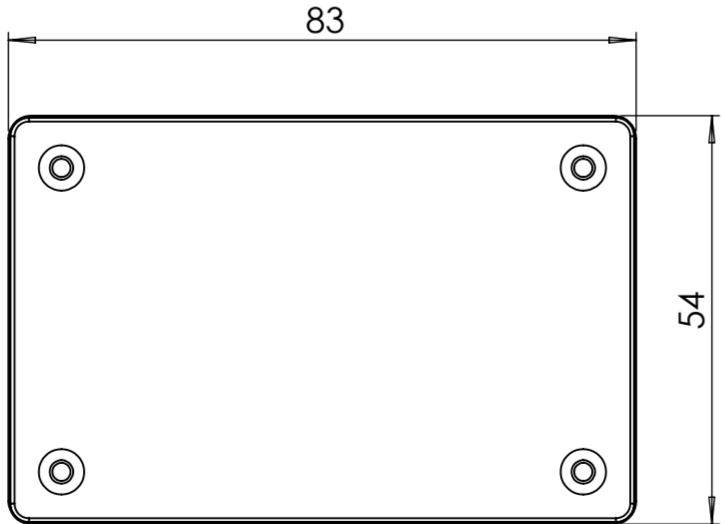
SURFACE-17



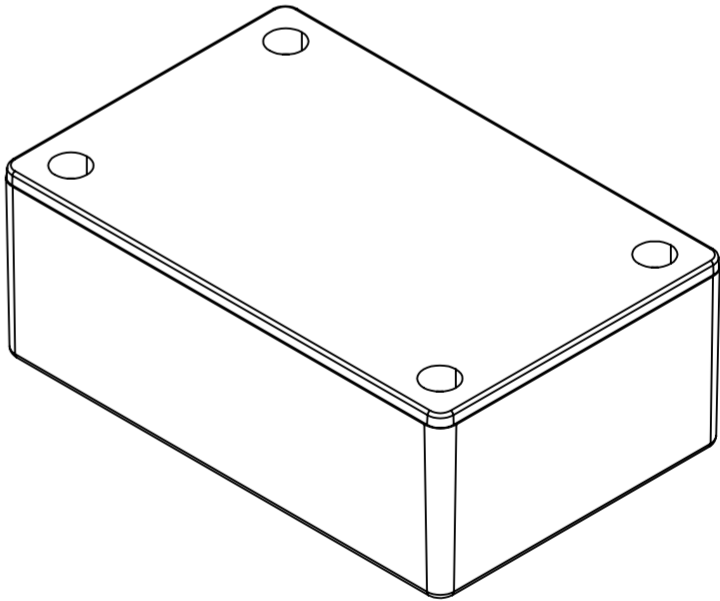
SURFACE-16



SURFACE-14



SURFACE-18



REV. NO	DATE	REVISED BY	DESCRIPTION OF CHANGE		
ALTINKAYA Electronic Enclosures & Components			www.altinkaya.com		
Customer Name:		Customer Ref.:			
Altinkaya Ref.:		Part Name: PR-040			
DRAWN	NAME	DATE	Drawn From:		
Y. YEL	S. YESILOZ	20.09.2024	Material:		
CHECKED	Y. YEL	20.09.2024	Weight:		
DIMENSIONAL TOLERANCES UNLESS OTHERWISE SPECIFIED (DIN 7148)					
	±0.1	±0.1	±0.2	±0.3	±0.5
	m (medium)				
SCALE: 1:1			SHEET 2 OF 2		