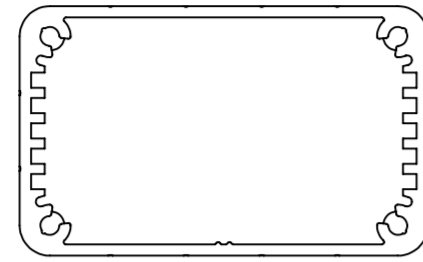
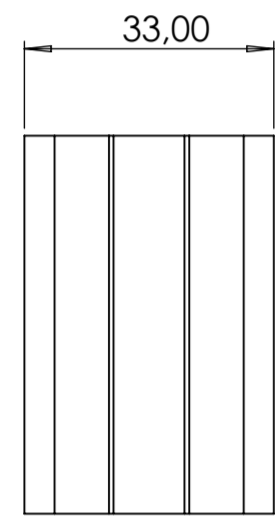


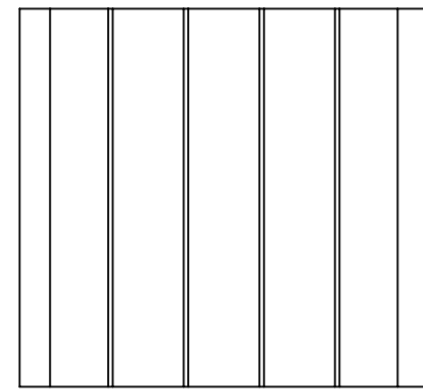
## BASE: 6 SURFACE



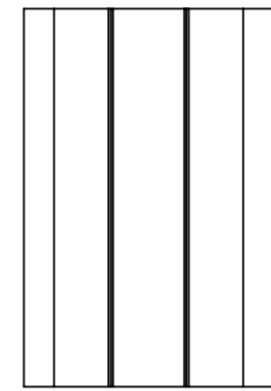
SURFACE-1



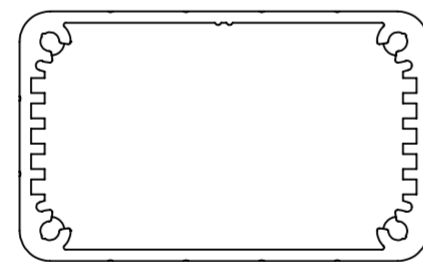
SURFACE-3



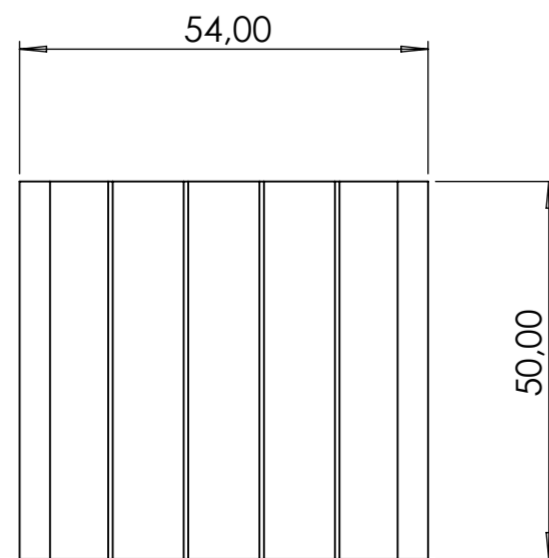
SURFACE-5



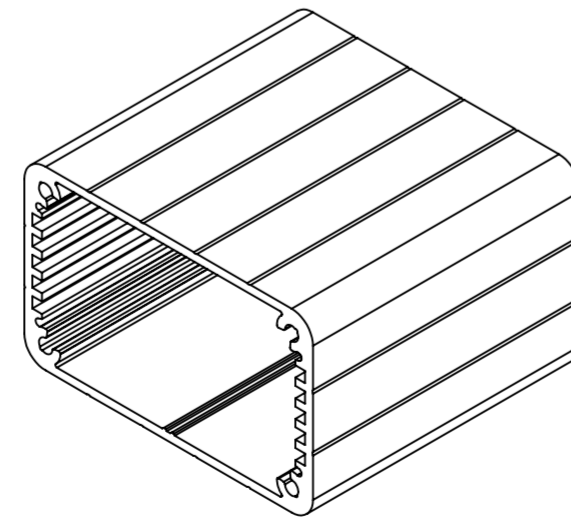
SURFACE-4



SURFACE-2



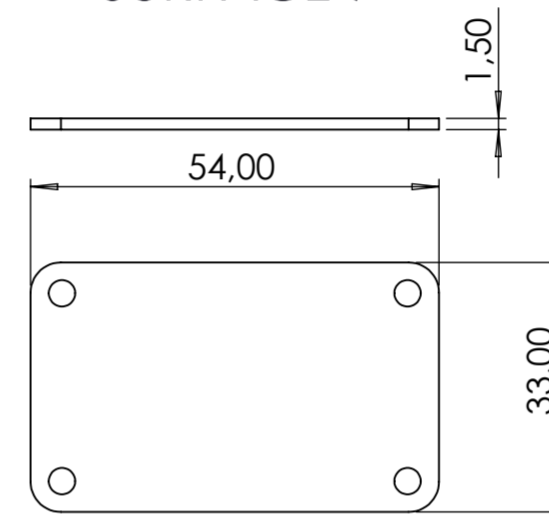
SURFACE-6



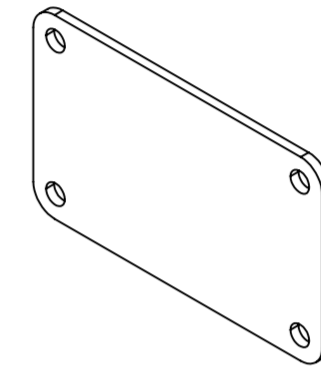
## COVER-1: 2 SURFACE



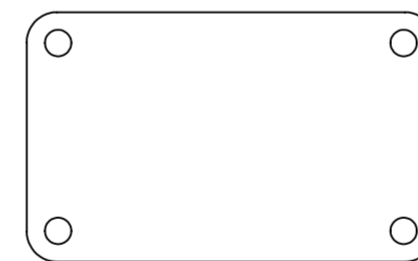
SURFACE-7



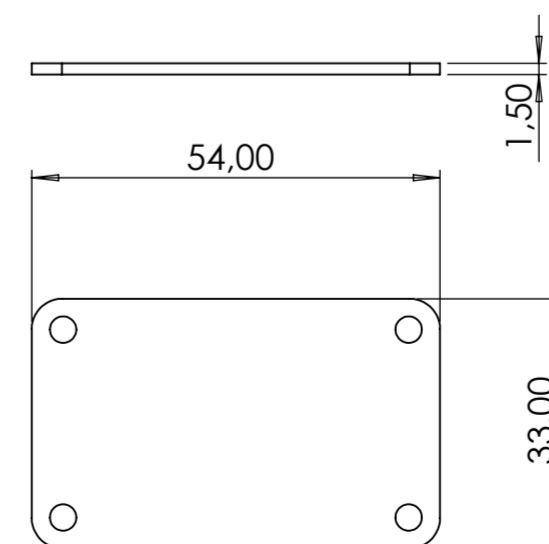
SURFACE-8  
(INSIDE)



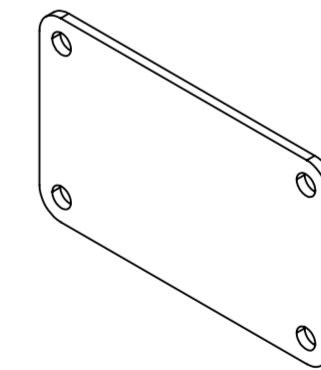
## COVER-2: 2 SURFACE



SURFACE-9



SURFACE-10  
(INSIDE)



REV. NO	DATE	REVISED BY	DESCRIPTION OF CHANGE
<b>ALTINKAYA</b> Electronic Enclosures & Components			
Customer Name:		Customer Ref.:	
Allinkaya Ref.:		Part Name: AL-053-50	
DRAWN	NAME	DATE	Drawn From:
CHECKED	Y.YEL	12.06.2024	Material:
DIMENSIONAL TOLERANCES (UNLESS OTHERWISE SPECIFIED)			Weight:
[0,5-3mm] ±0,1			[3-6mm] ±0,1
[6-30mm] ±0,2			[30-120mm] ±0,3
[20-400mm] ±0,5			Dimension (mm)
[mm (medium)]			UNIT: mm

SCALE: 1:1

SHEET 1 OF 1

A2