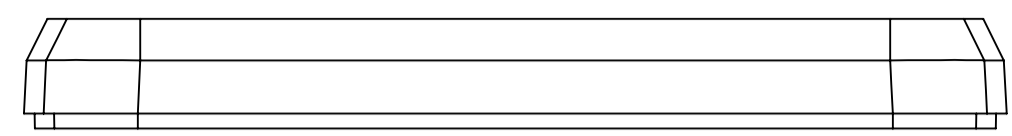
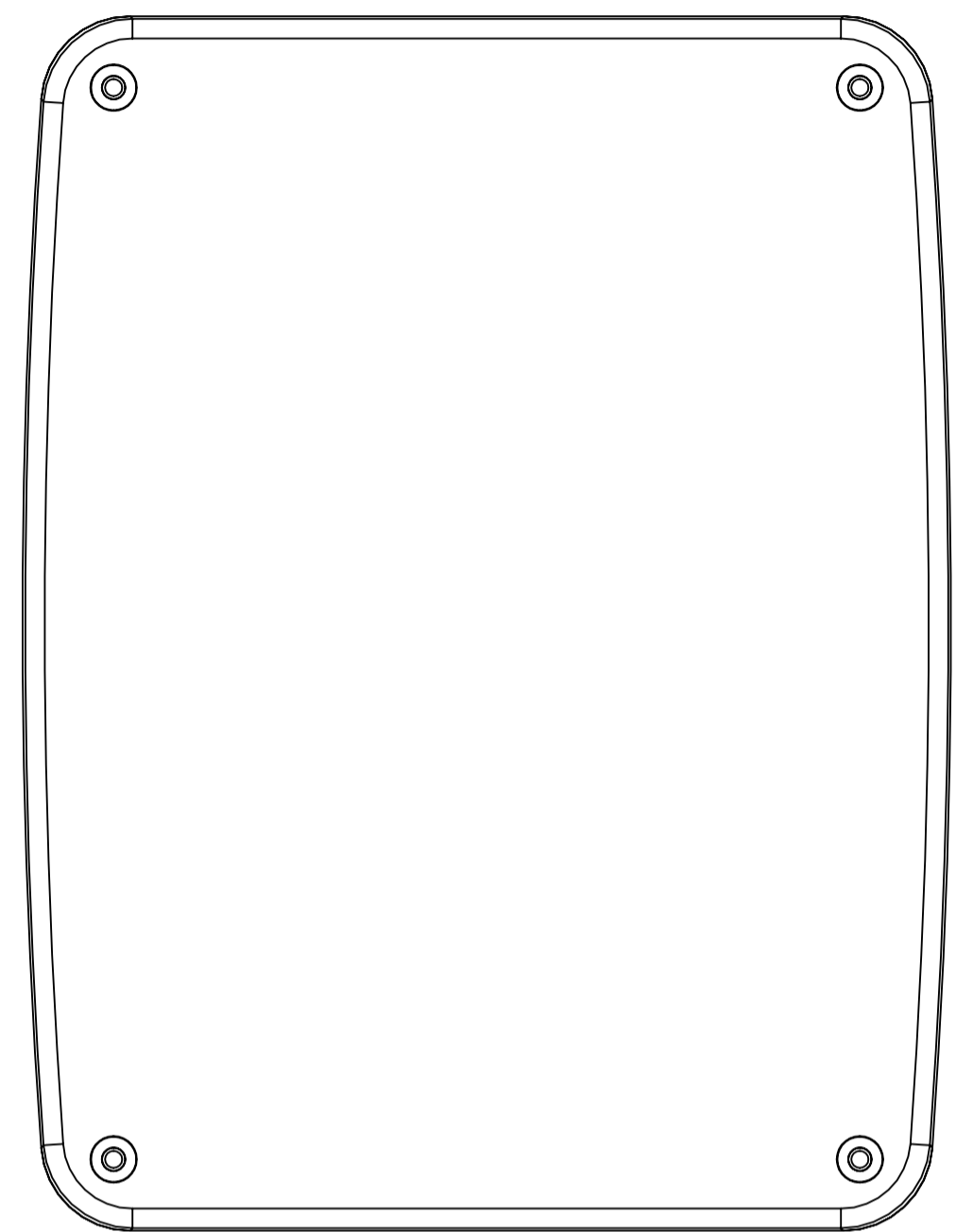


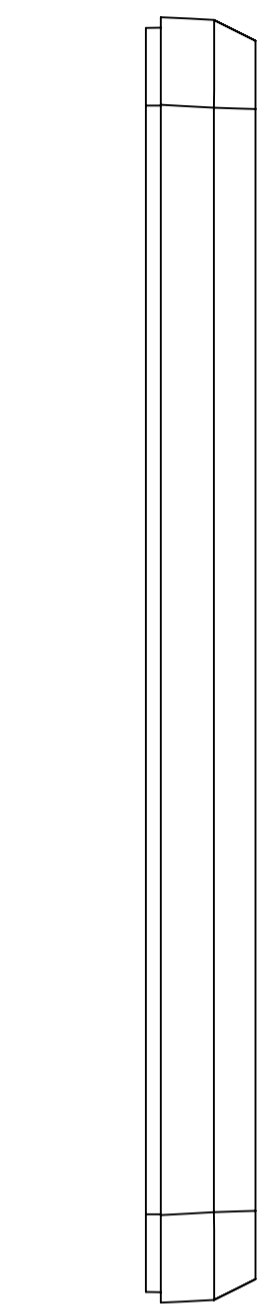
**BASE: 6 SURFACE**



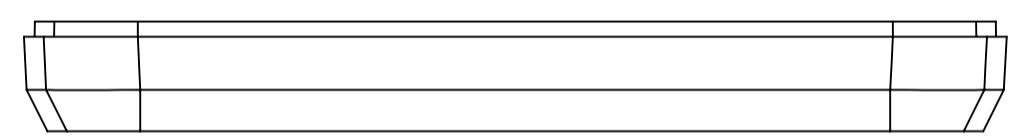
SURFACE-1



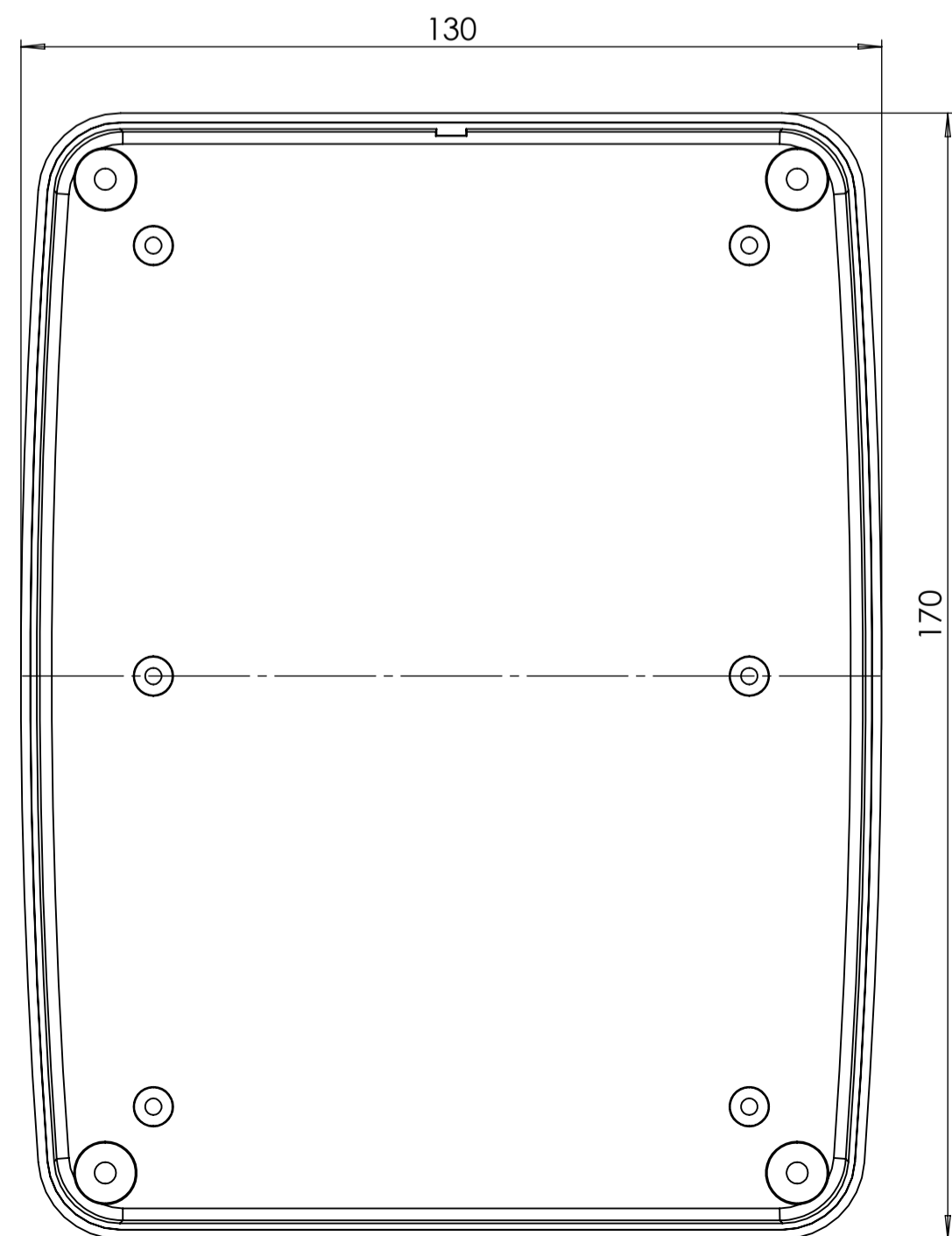
SURFACE-5



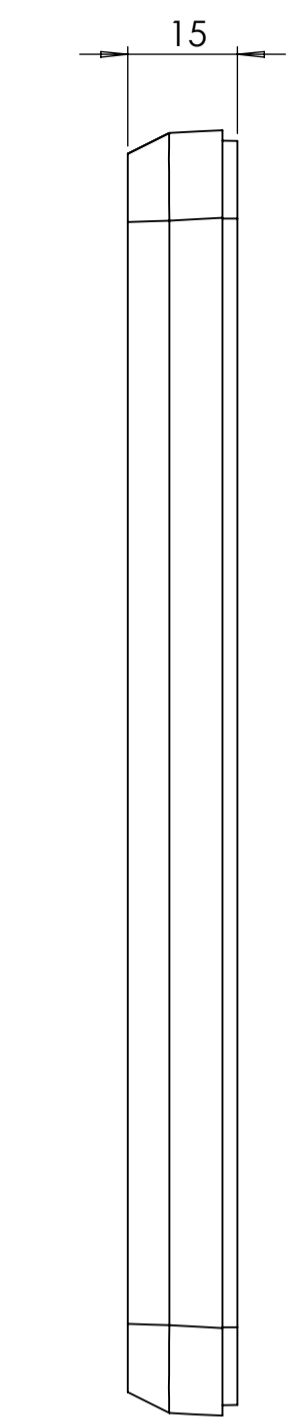
SURFACE-4



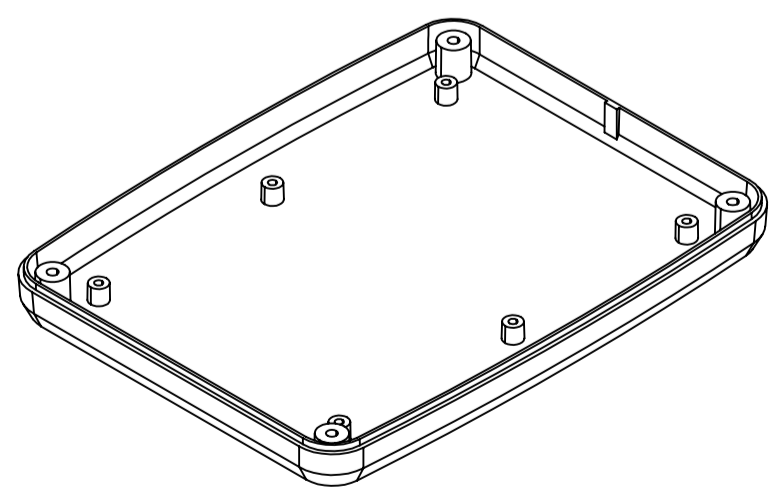
SURFACE-2



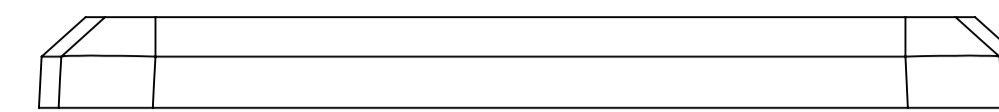
SURFACE-6 (INSIDE)



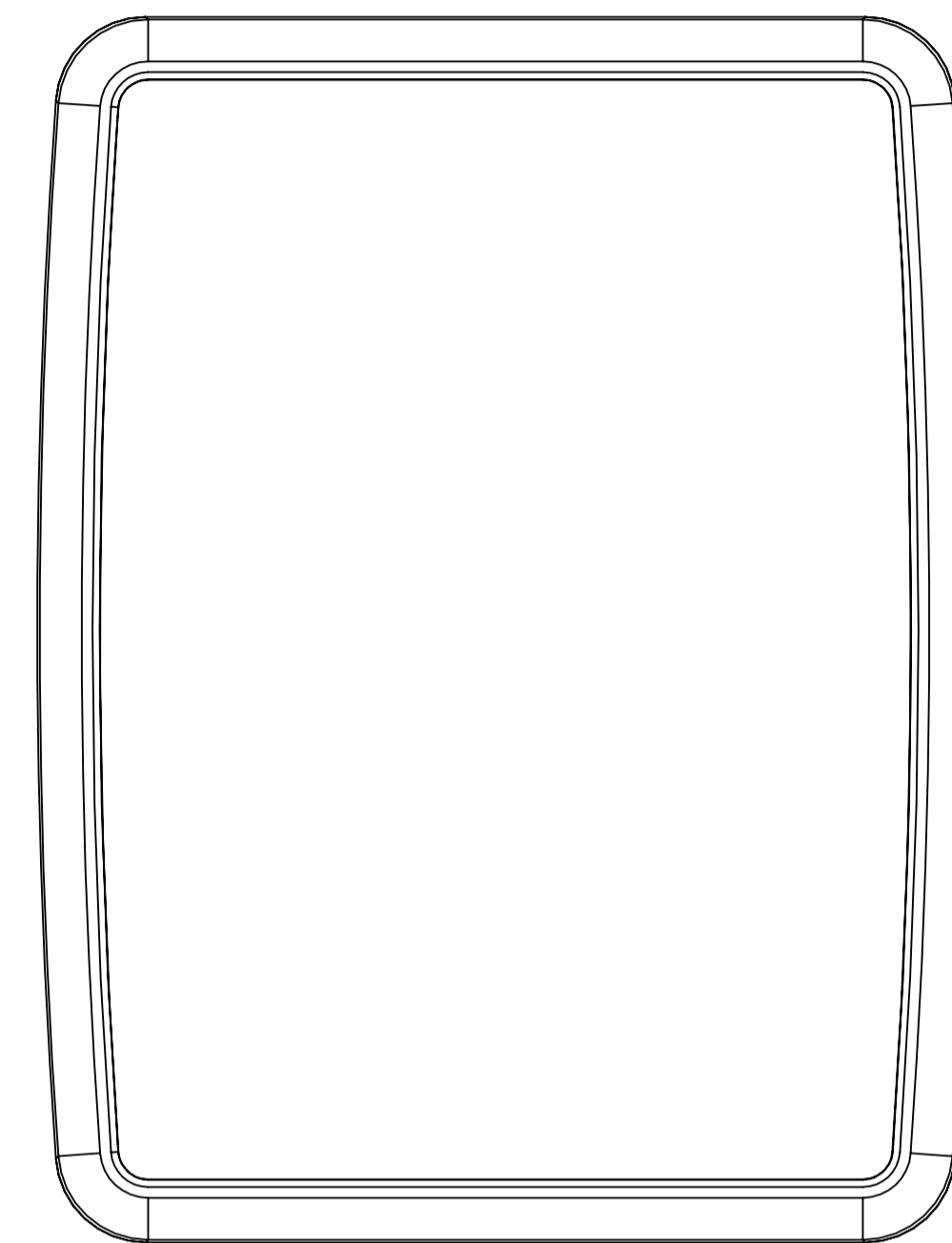
SURFACE-3



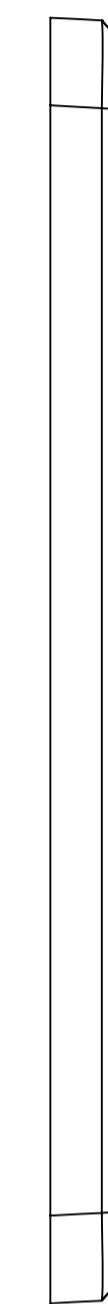
**COVER: 6 SURFACE**



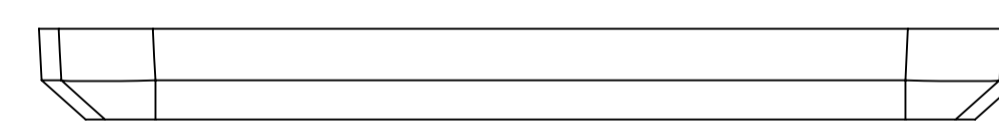
SURFACE-7



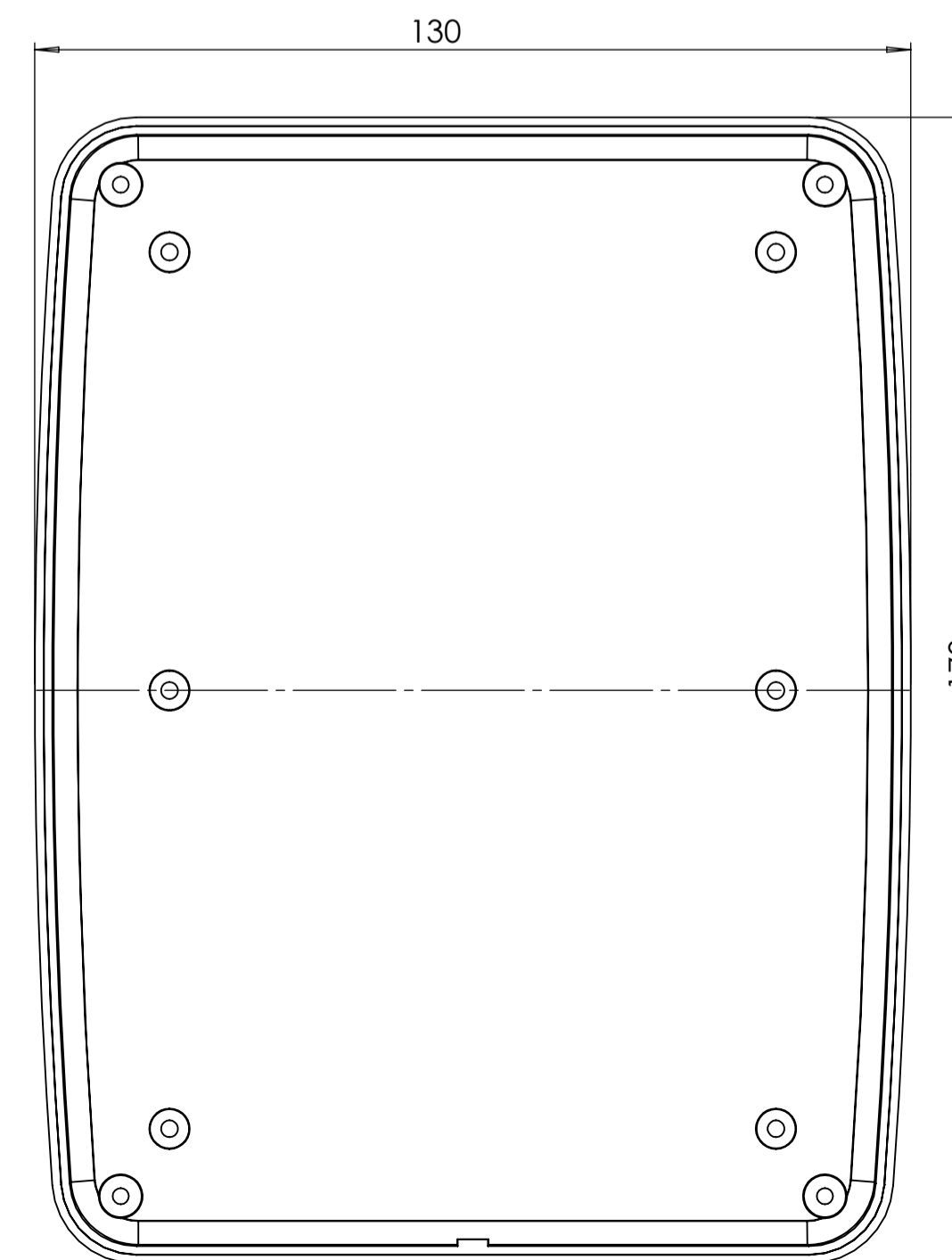
SURFACE-11



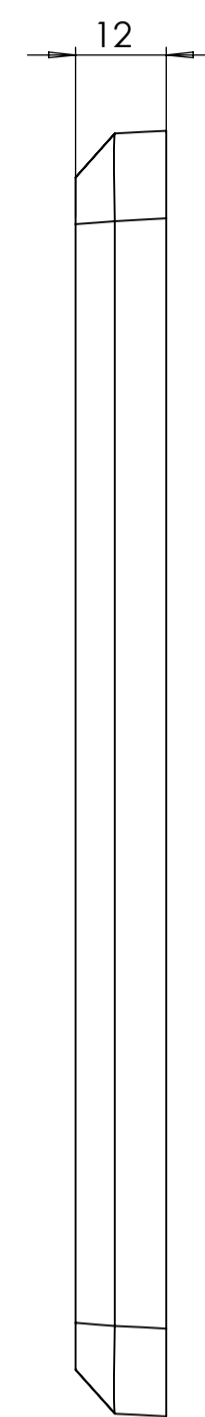
SURFACE-10



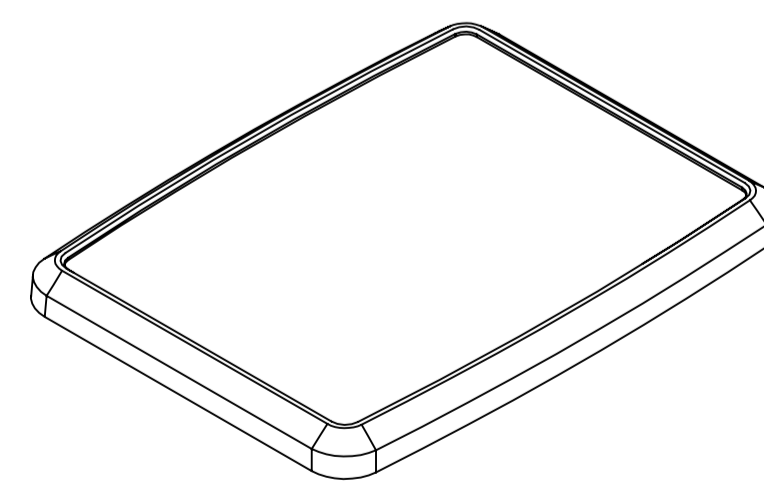
SURFACE-8




SURFACE-12 (INSIDE)

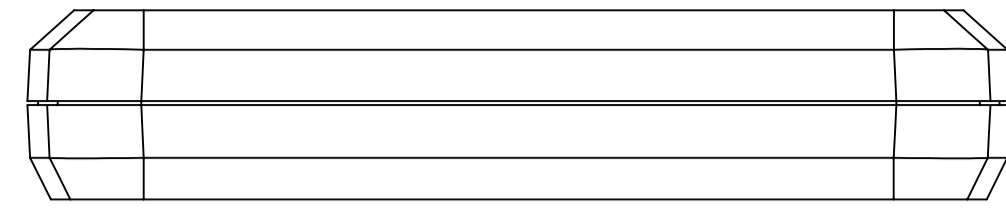


SURFACE-9

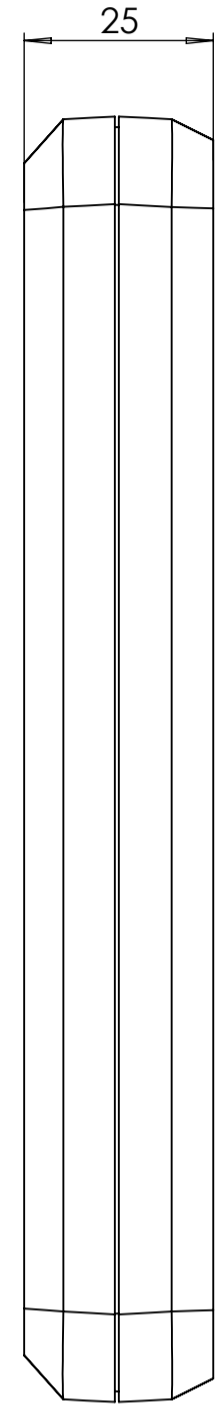


REV. NO.	DATE	REVISED BY	DESCRIPTION OF CHANGE
 <b>ALTINKAYA</b> Electronic Enclosures & Components <a href="http://www.altinkaya.com">www.altinkaya.com</a>			
Customer Name:		Customer Ref.:	
Altinkaya Ref.:		Part Name: HH-049	
DRAWN	NAME	DATE	Material:
CHECKED	Y. YESLOZ	23.07.2024	Weight:
DIMENSIONAL TOLERANCES:		SCALE 1:1 UNIT : mm	
UNLESS OTHERWISE SPECIFIED:		Dimension(mm)	
(mm)	±0.1	±0.1	±0.2
		±0.3	±0.5
1 SHEET 1 OF 2			A1

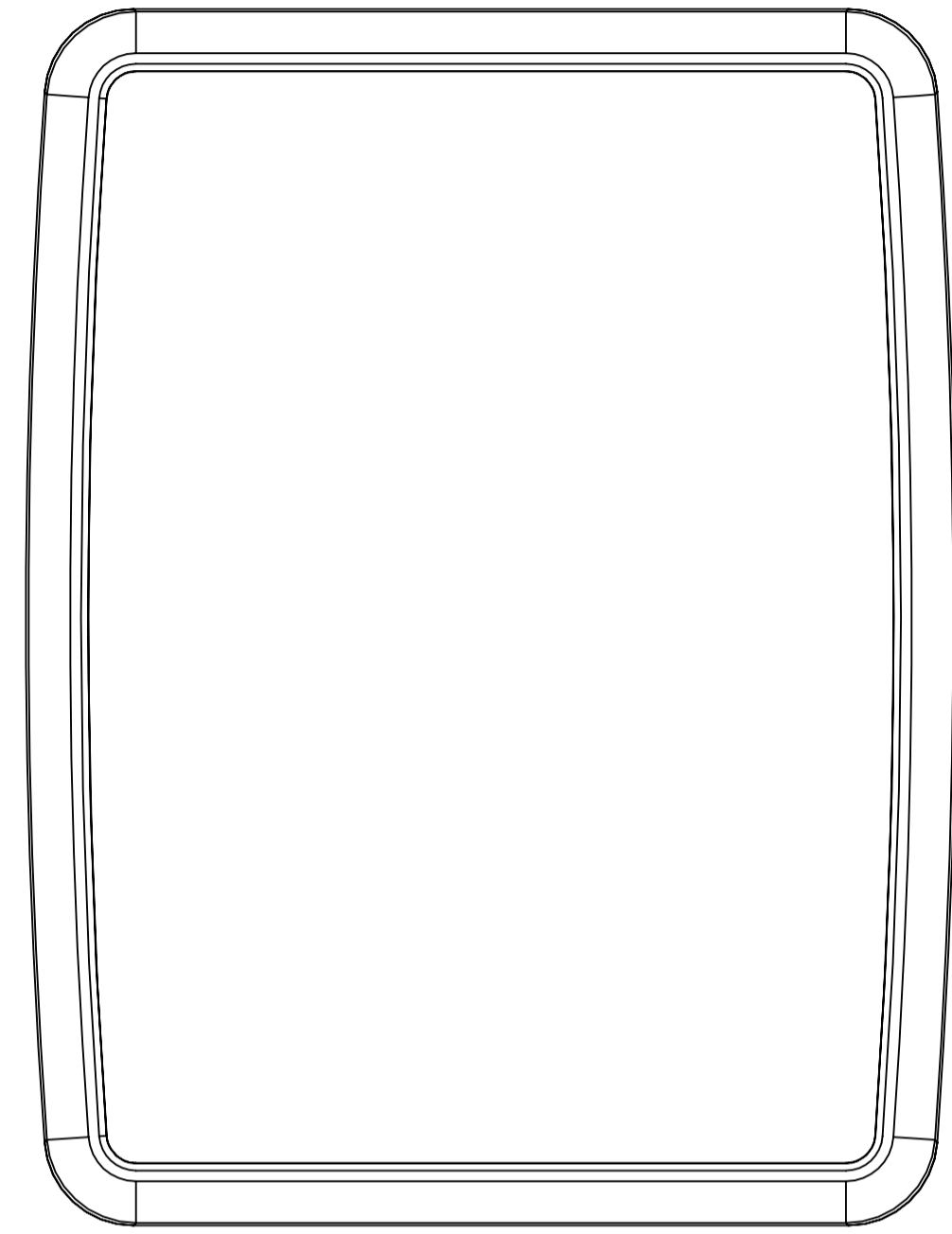
**HH-049 IF MACHINED TOGETHER**



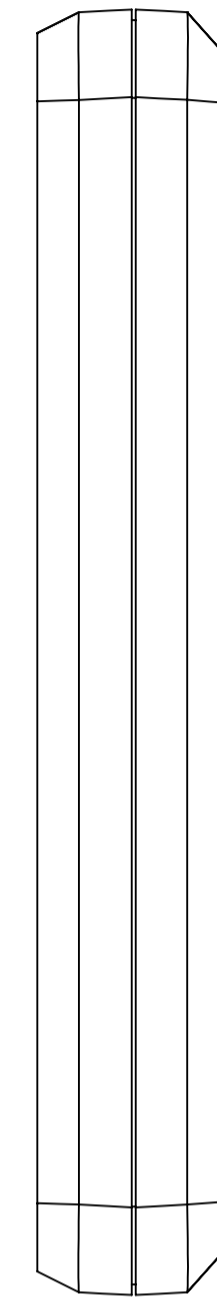
SURFACE-13



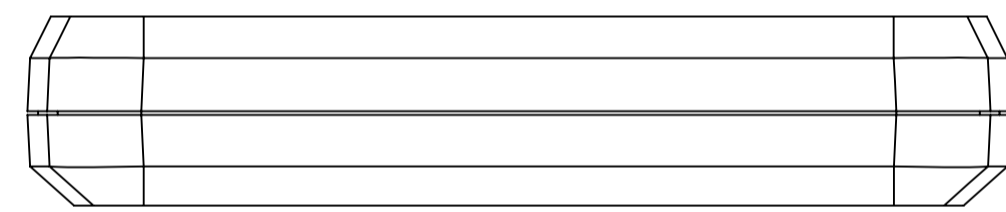
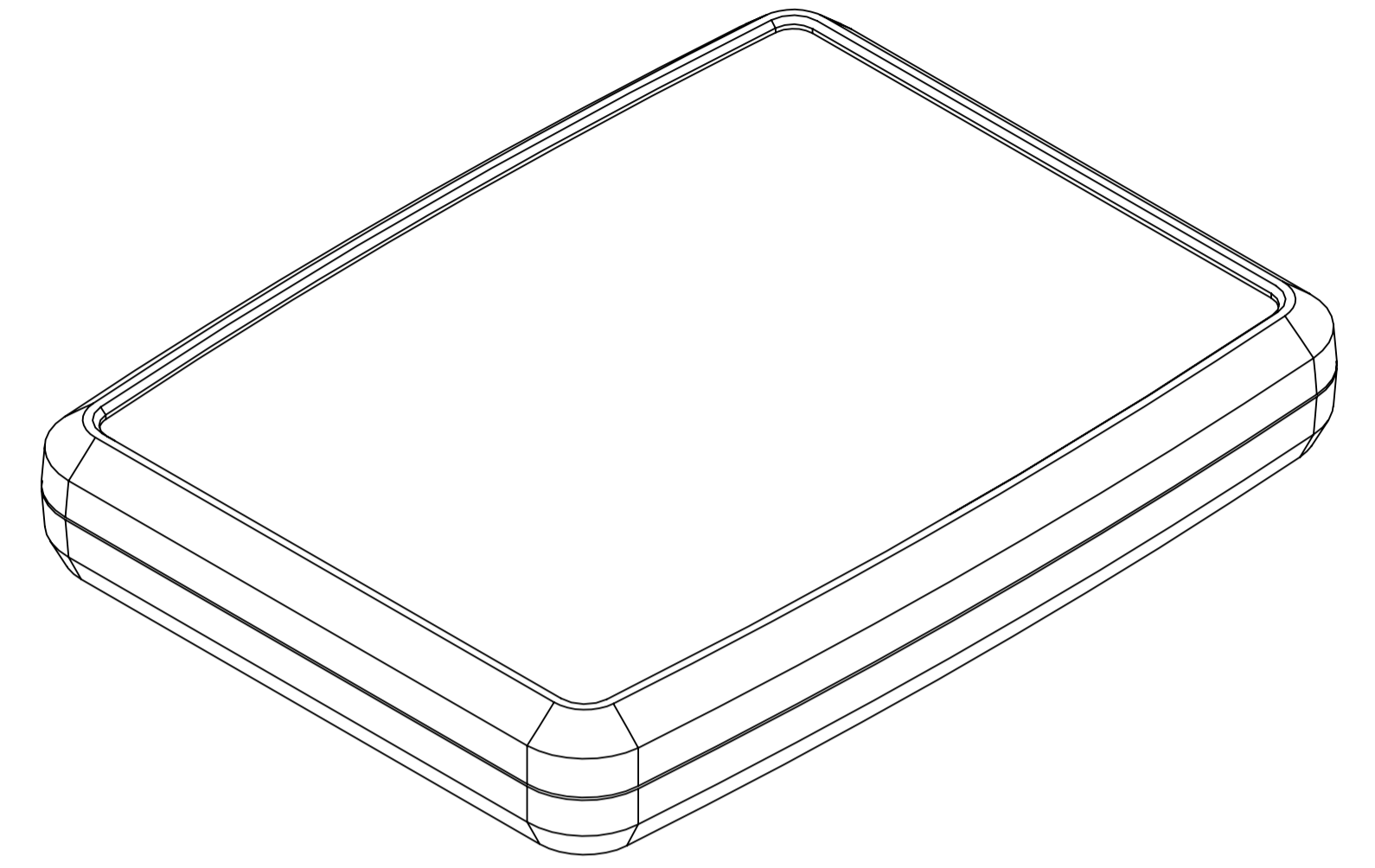
SURFACE-15



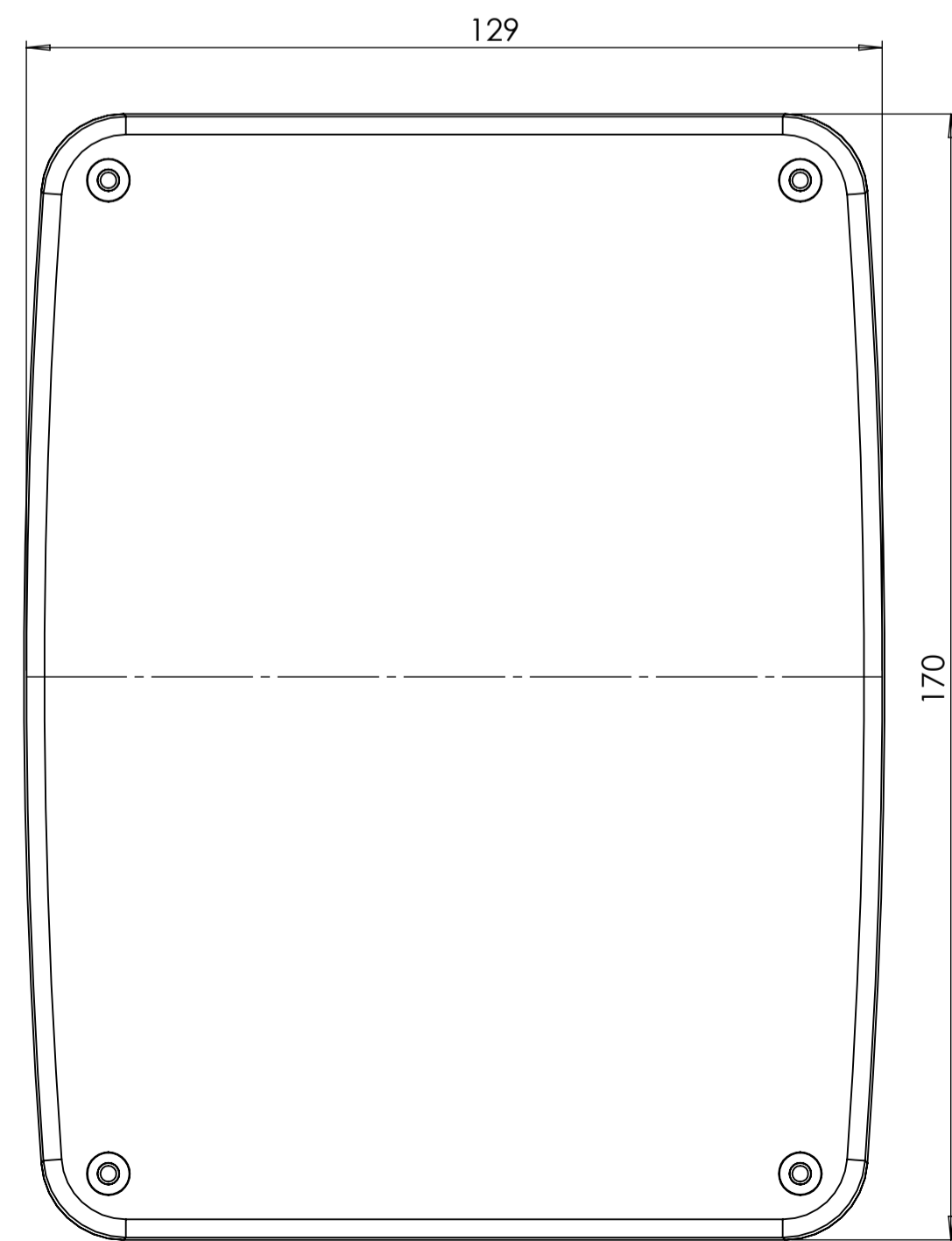
SURFACE-17



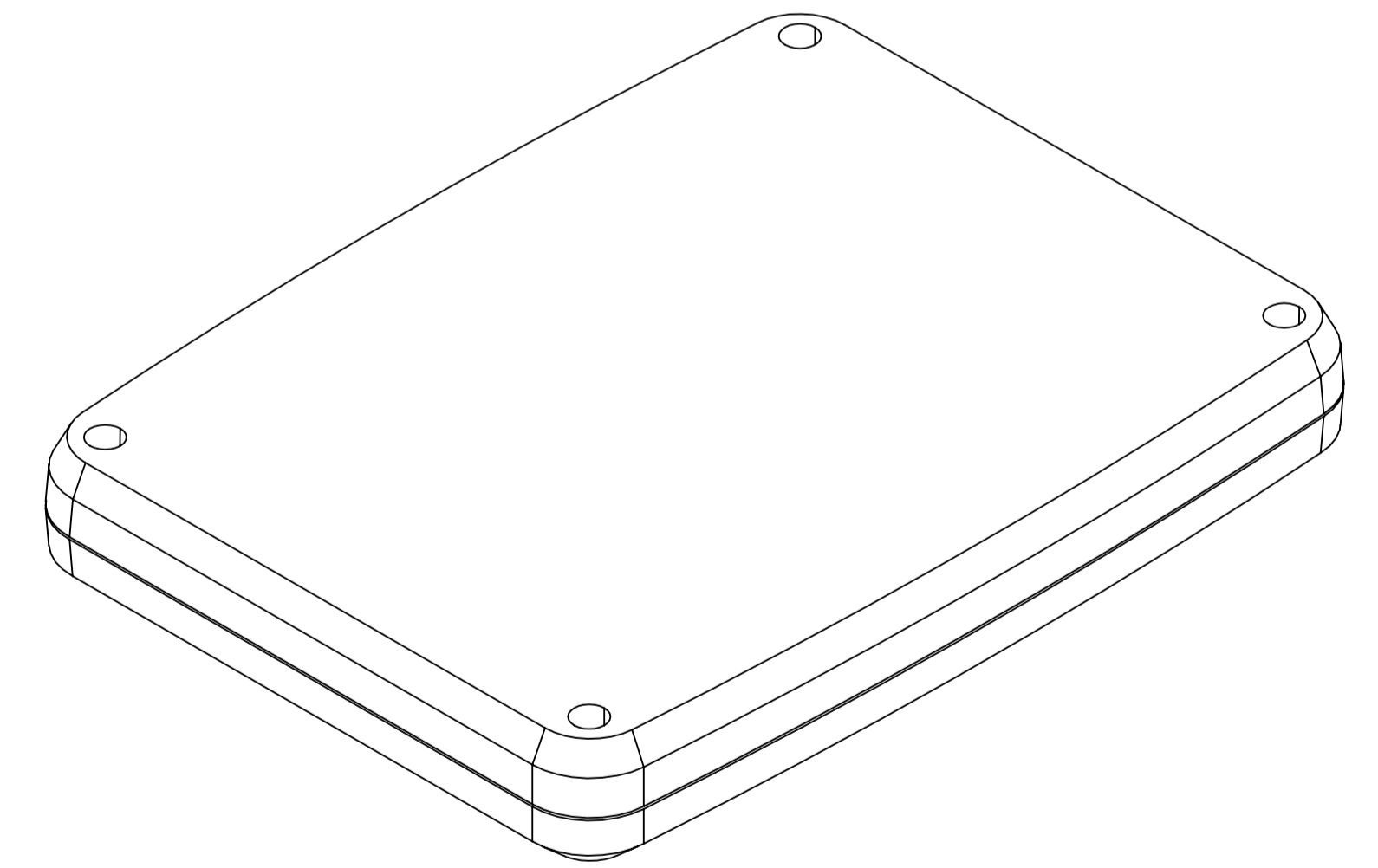
SURFACE-16



SURFACE-14



SURFACE-18



REV. NO.	DATE	REVISED BY	DESCRIPTION OF CHANGE
<span style="float: right;"><b>www.altinkaya.com</b></span>			
Customer Name:		Customer Ref.:	
Altinkaya Ref.:		Part Name: HH-049	
DRAWN	NAME	DATE	Drawn From:
CHECKED	Y. YESLOZ	23.07.2024	Material:
DIMENSIONAL TOLERANCES UNLESS OTHERWISE SPECIFIED:		Weight:	SCALE 1:1 UNIT : mm
(DIN7148)	±0.1	±0.1	±0.2
	±0.3	±0.5	Dimension(mm) m(medium)