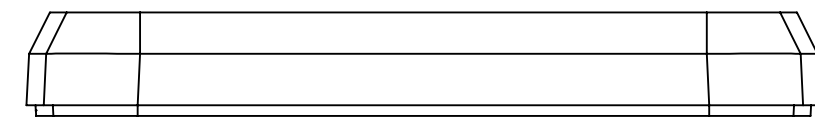
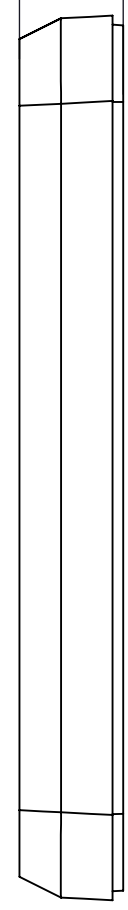


BASE: 6 SURFACE

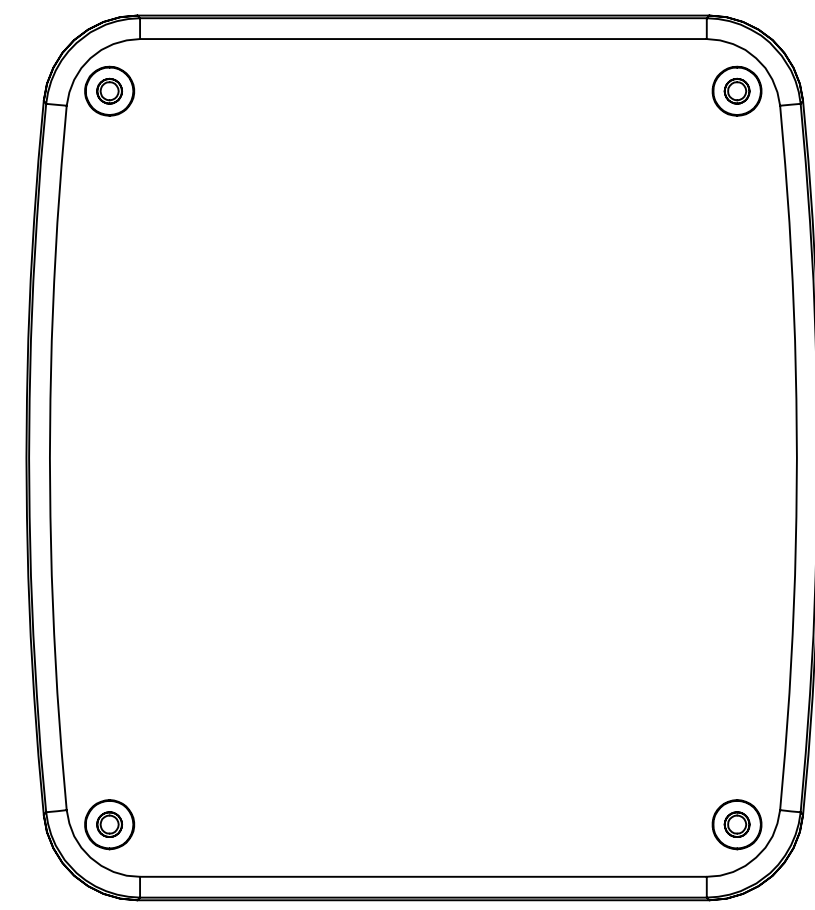


SURFACE-1

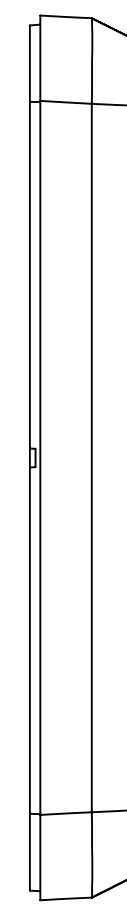
14



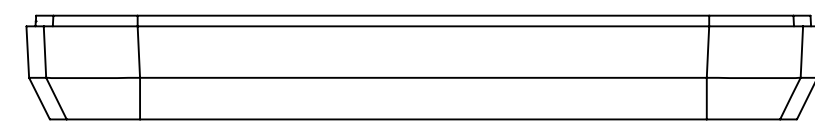
SURFACE-3



SURFACE-5

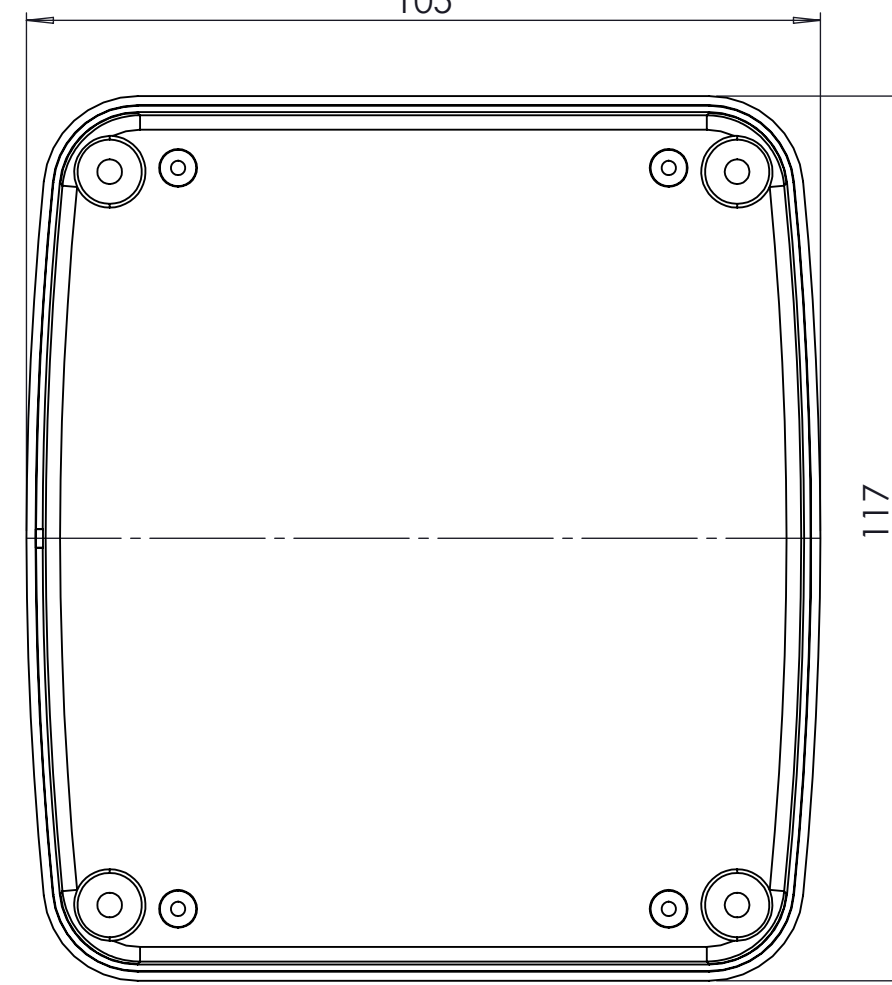


SURFACE-4



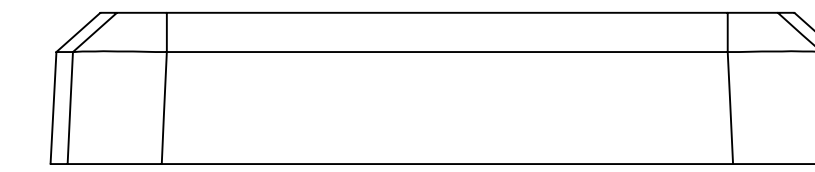
SURFACE-2

105



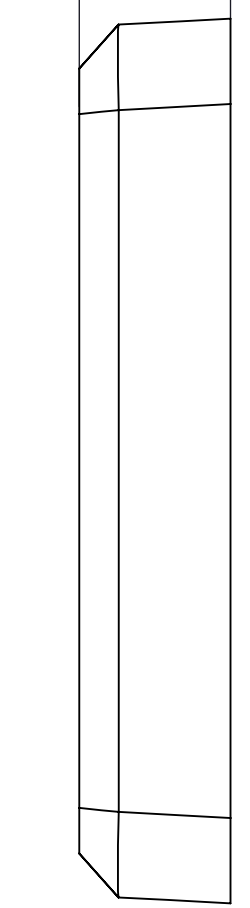
SURFACE-6 (INSIDE)

COVER: 6 SURFACE

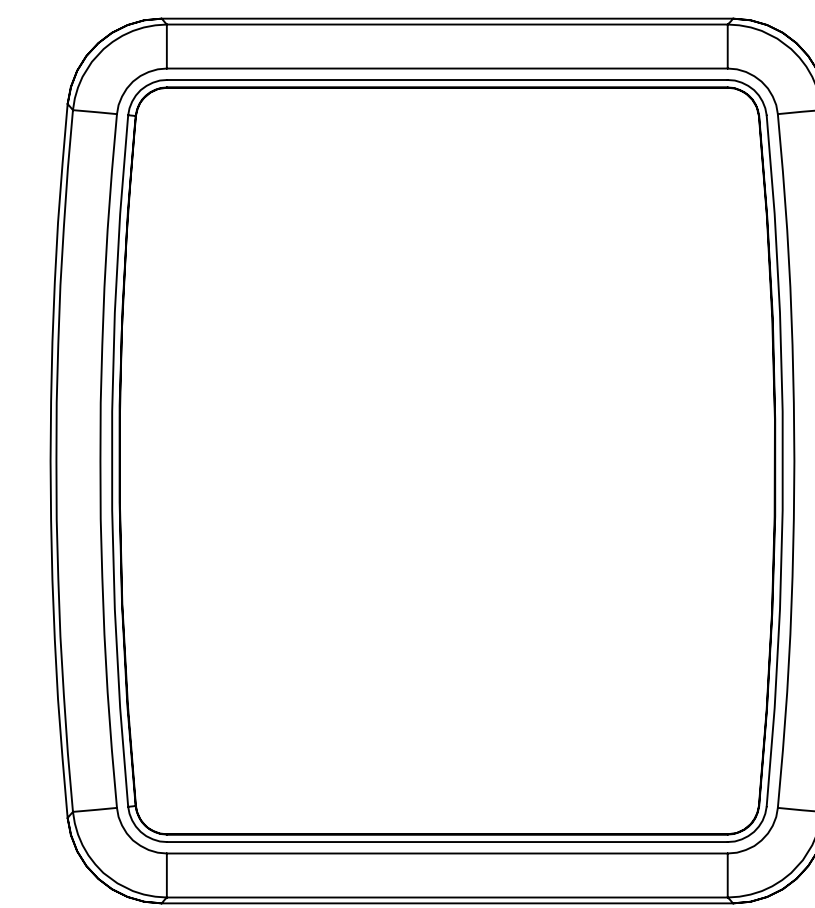


SURFACE-7

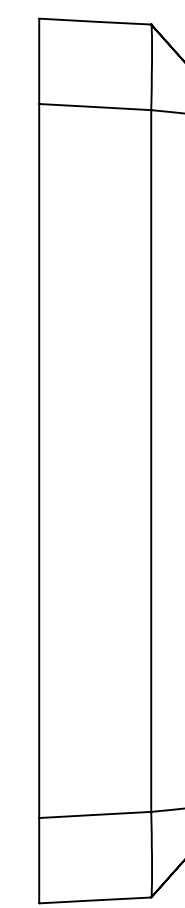
20



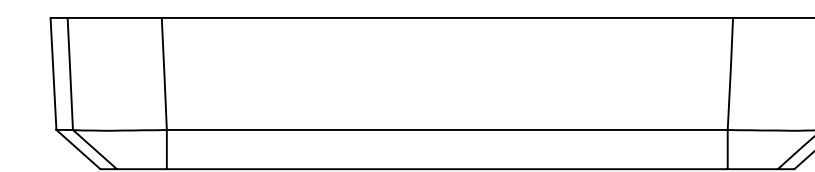
SURFACE-9



SURFACE-11

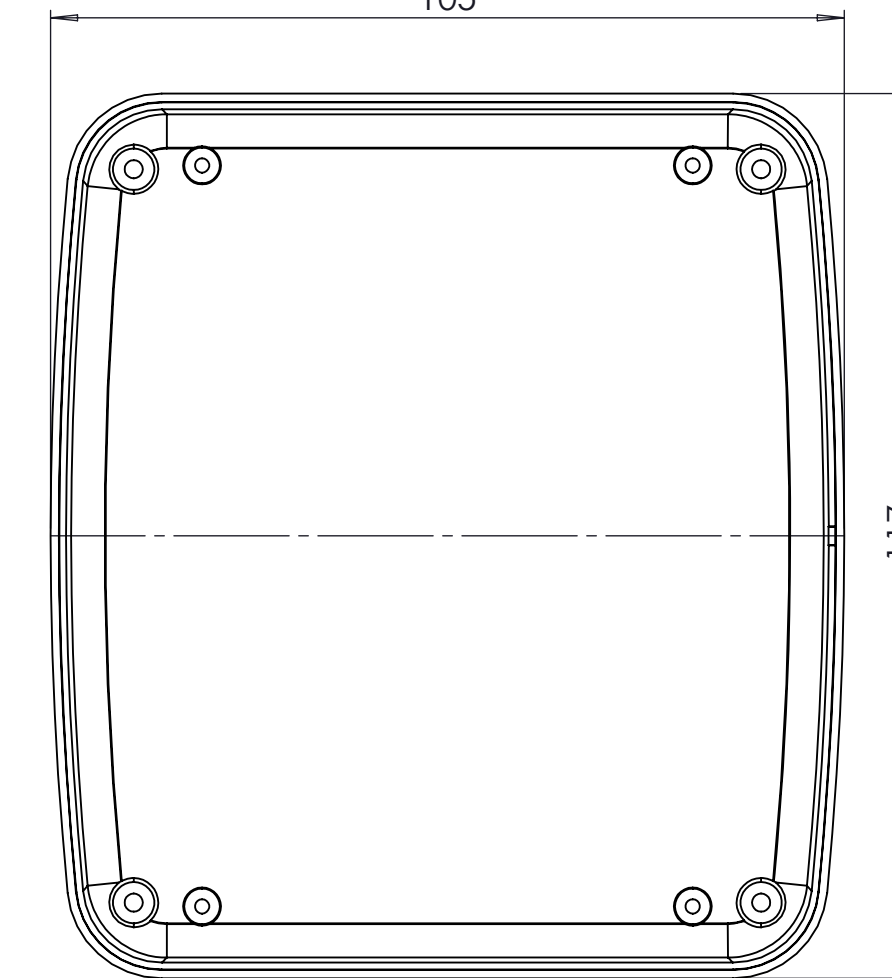


SURFACE-10

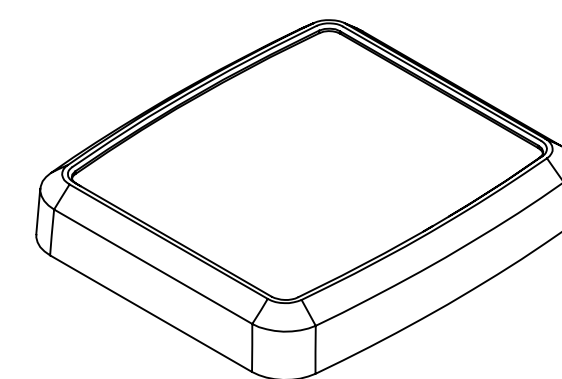
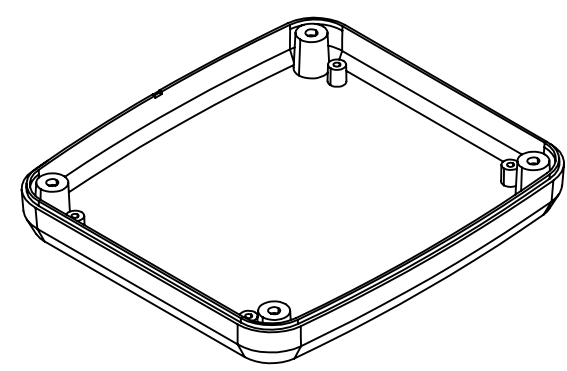


SURFACE-8

105



SURFACE-12 (INSIDE)



REV. NO.	DATE	REVISED BY	DESCRIPTION OF CHANGE
ALTINKAYA Electronic Enclosures & Components www.altinkaya.com			
Customer Name:		Customer Ref.:	
Altinkaya Ref.:		Part Name: H8-047	
NAME	DATE	Drawn From:	
DRAWN	23.07.2024	Material:	
CHECKED	Y.YEL	Weight:	SCALE 1:1 UNIT : mm
DIMENSIONAL TOLERANCES UNLESS OTHERWISE SPECIFIED:		3-6mm	30-120mm
±0.1	±0.1	±0.2	±0.3
±0.1	±0.1	±0.2	±0.5
SHEET 1 OF 2			A1

