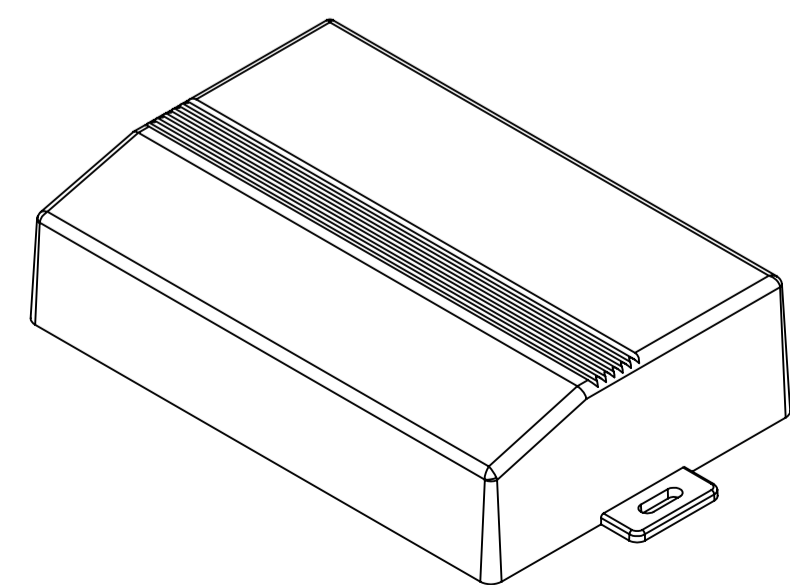
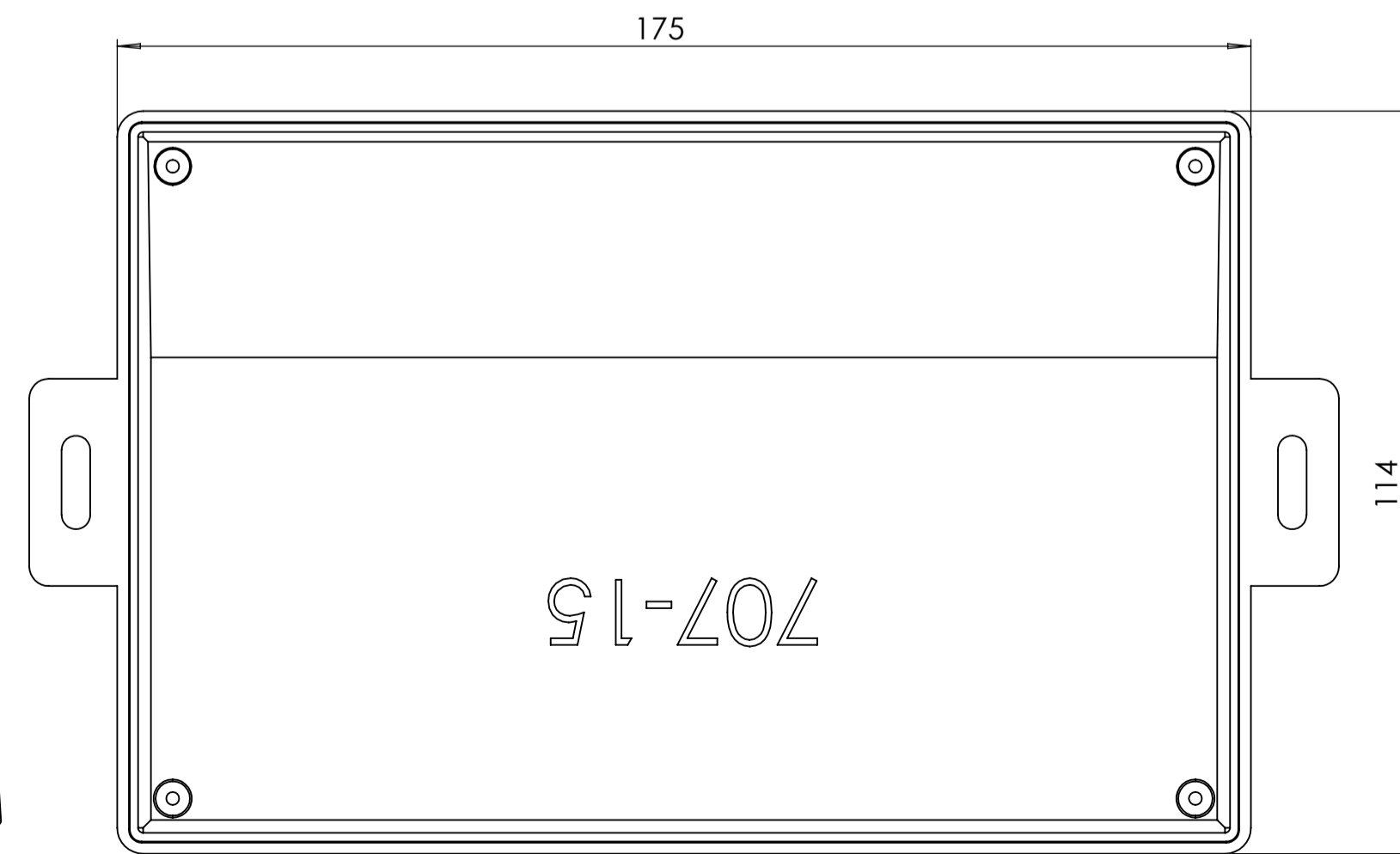
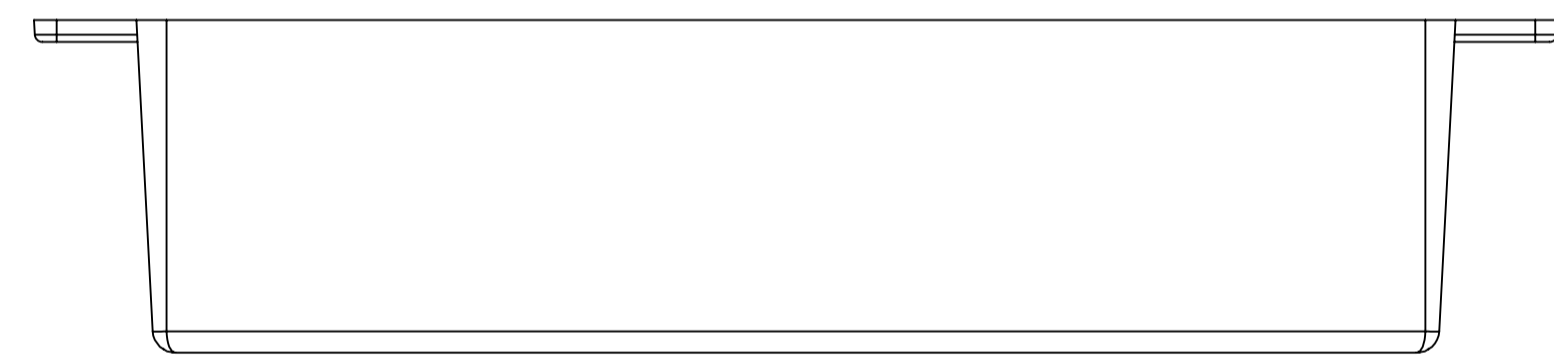
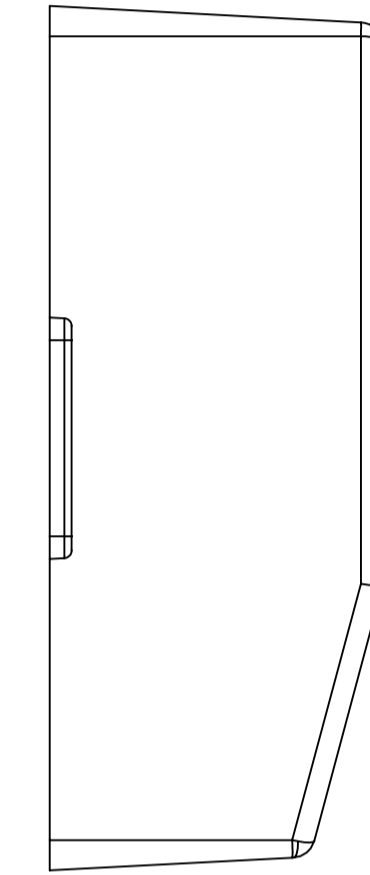
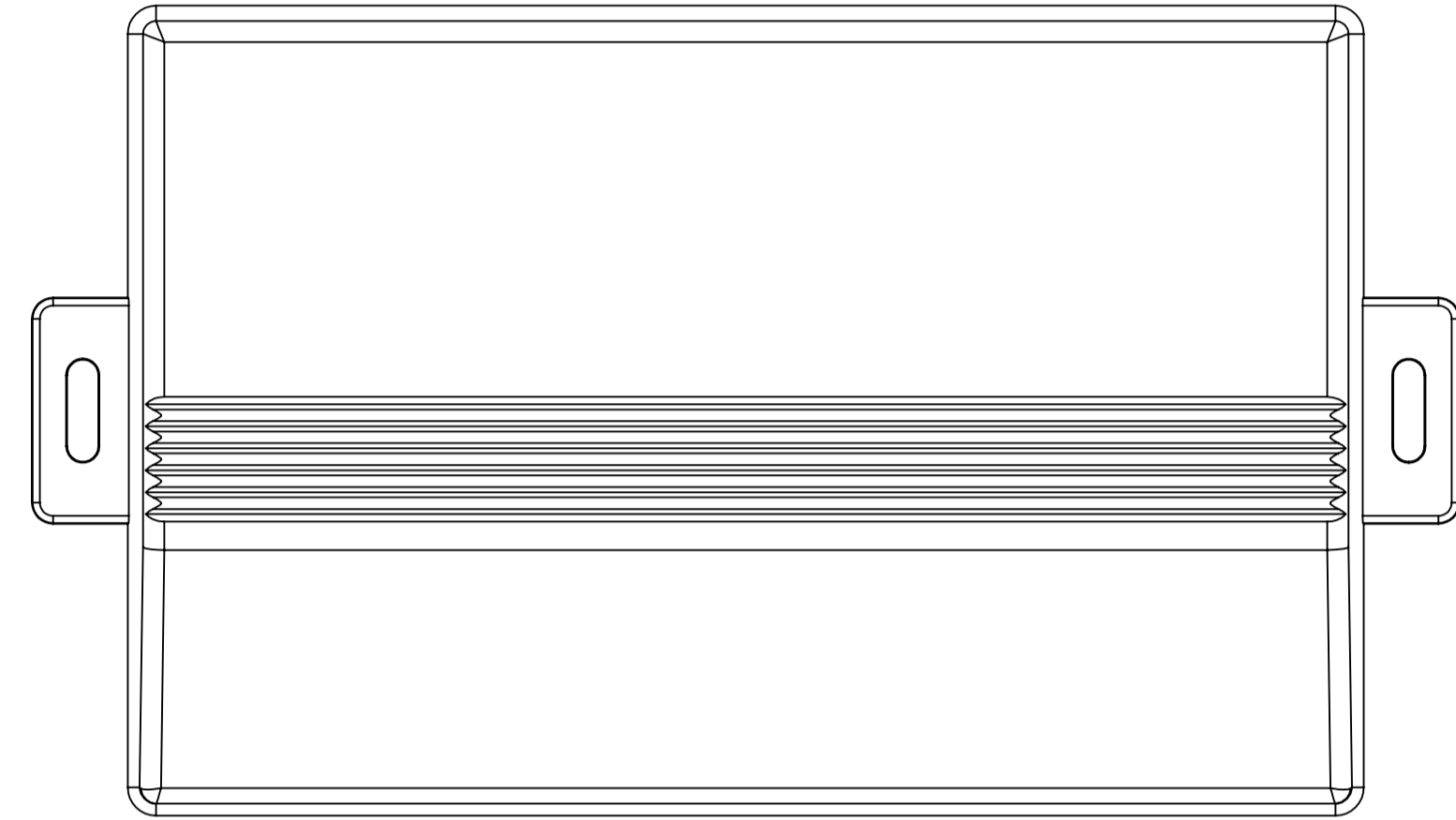
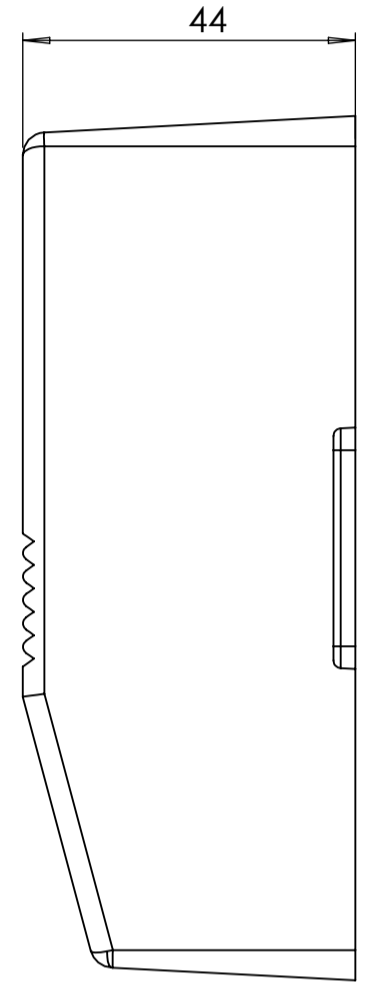
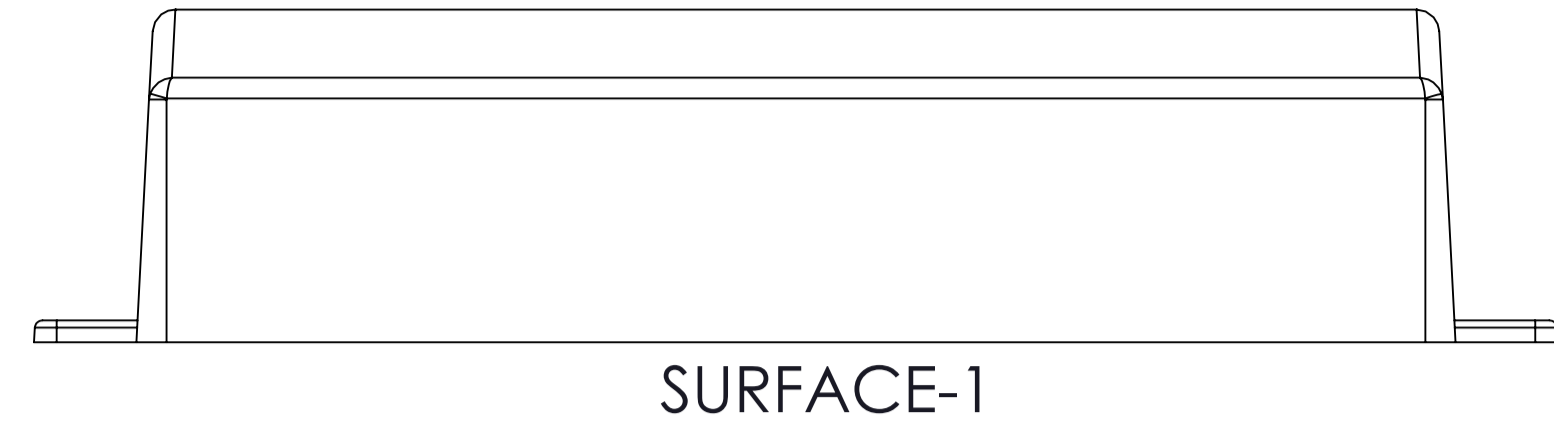
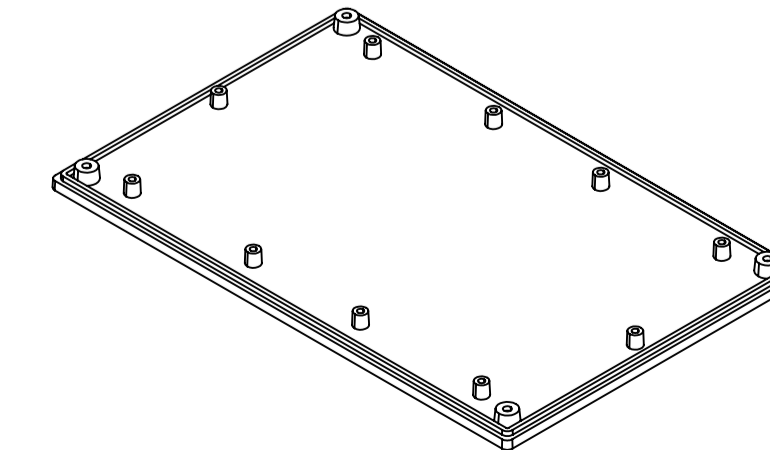
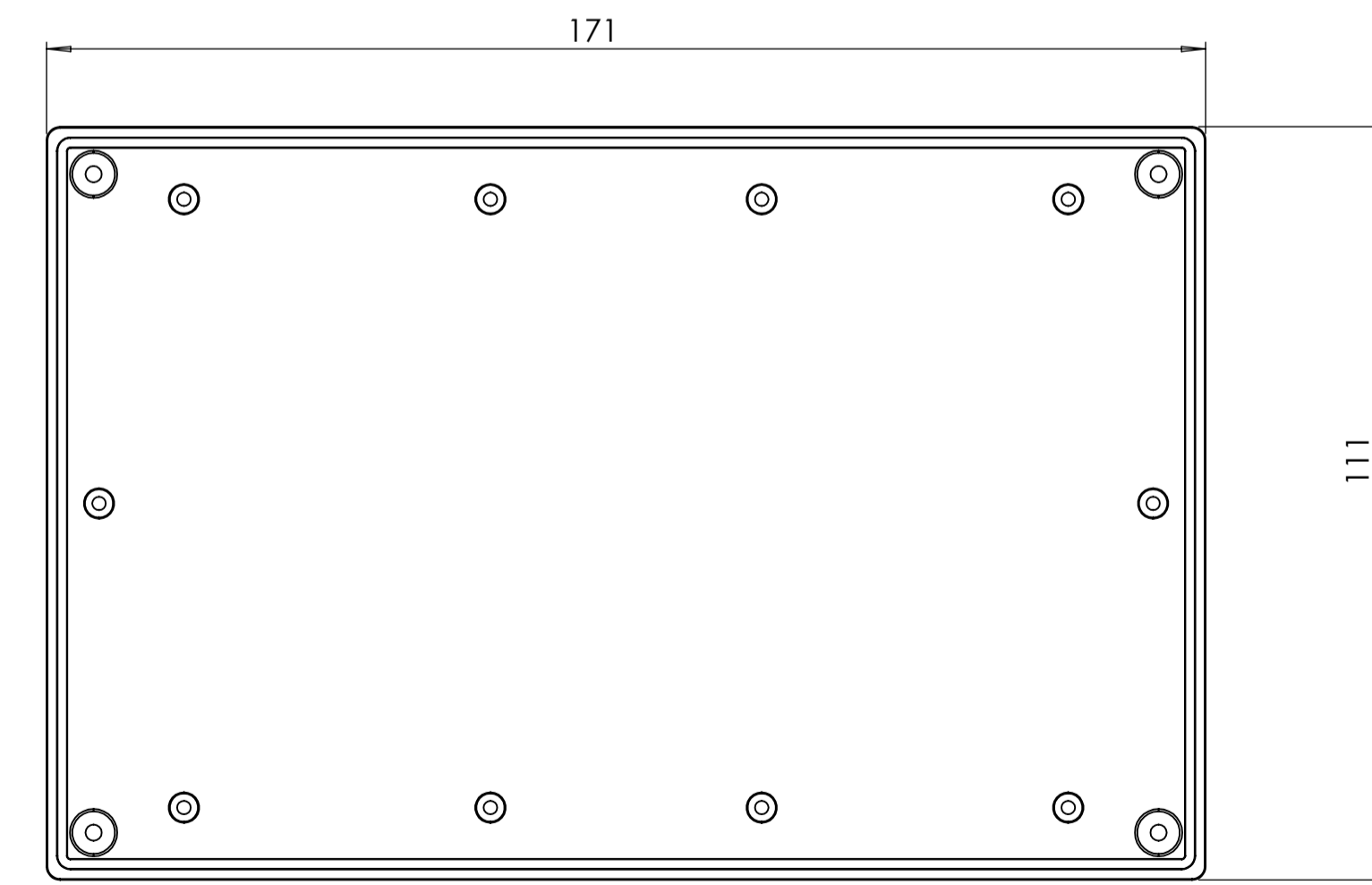
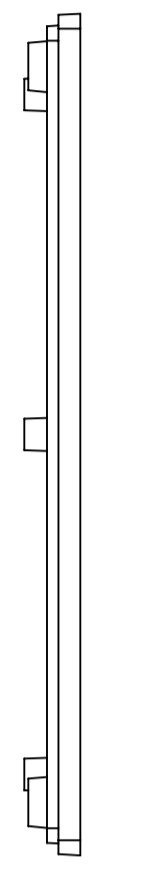
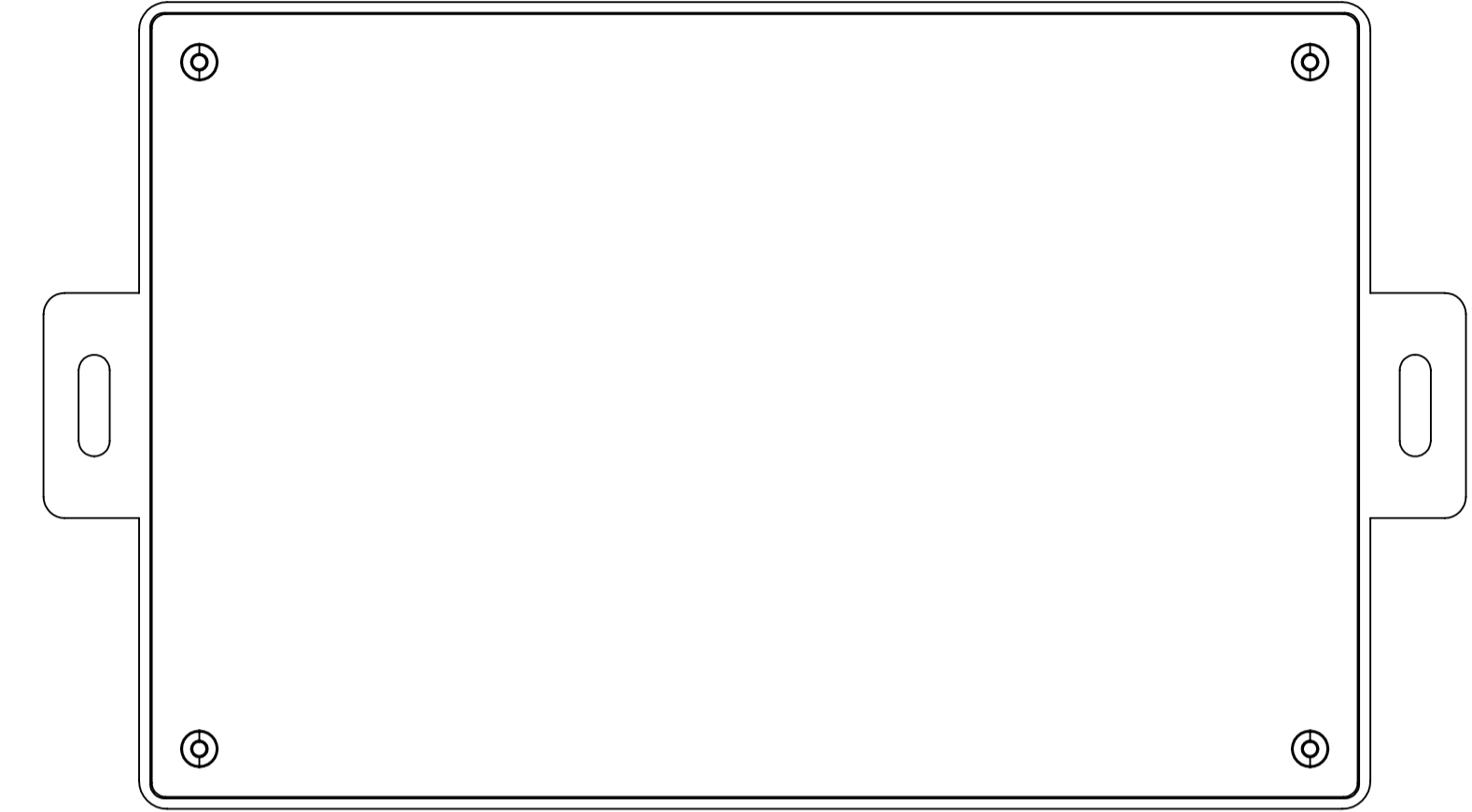
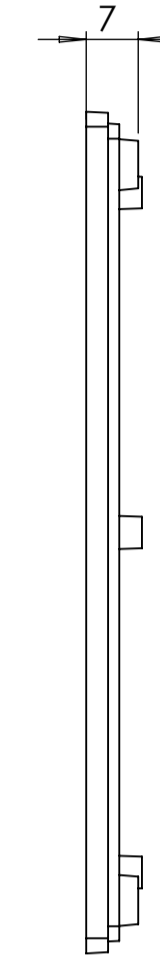


BASE: 6 SURFACE

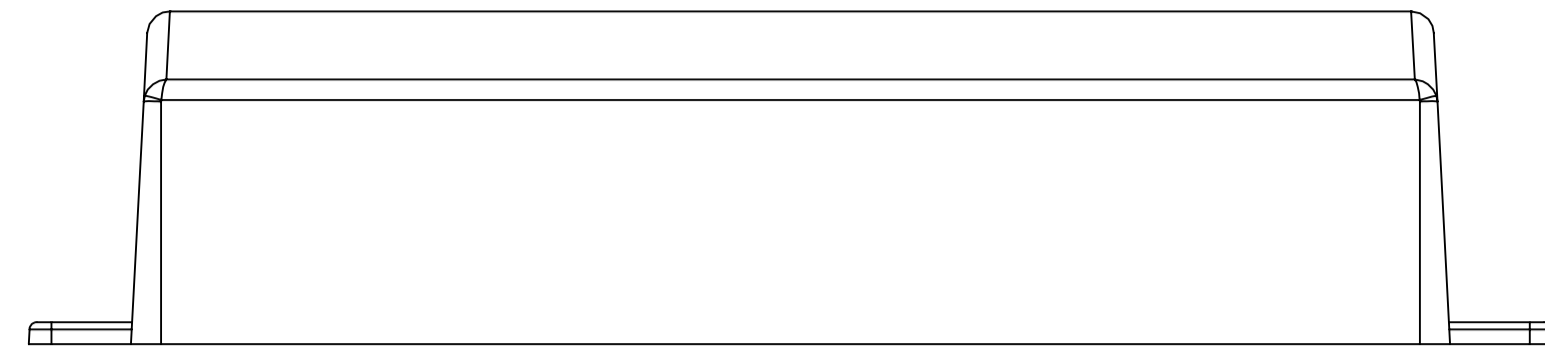


COVER: 6 SURFACE

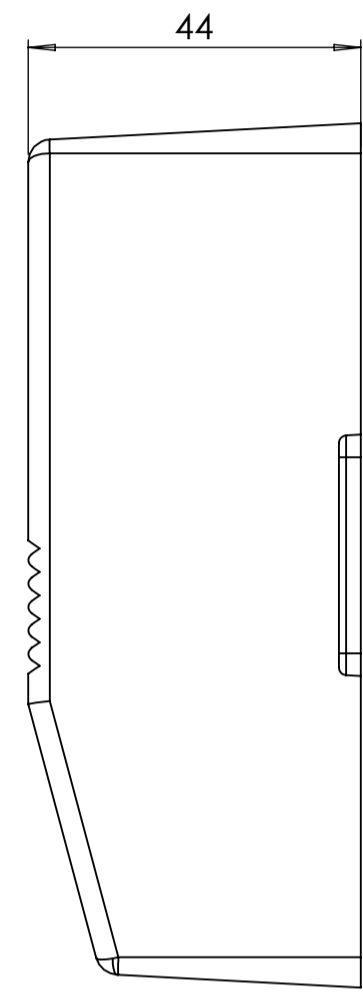


REV. NO.	DATE	REVISED BY	DESCRIPTION OF CHANGE
 ALTINKAYA Electronic Enclosures & Components			www.altinkaya.com
Customer Name:		Customer Ref.:	
Altinkaya Ref.:		Part Name: HH-040-A	
DRAWN	NAME	DATE	Material
CHECKED	Y. YESILOZ	16.07.2024	
DIMENSIONAL TOLERANCES UNLESS OTHERWISE SPECIFIED:		Weight:	SCALE 1:1 UNIT : mm
(mm)	±0.1	±0.1	±0.2
(mm)	±0.1	±0.2	±0.3
(mm)	±0.1	±0.2	±0.5
(mm)	±0.1	±0.2	±0.5

HH-040-A MACHINED TOGETHER



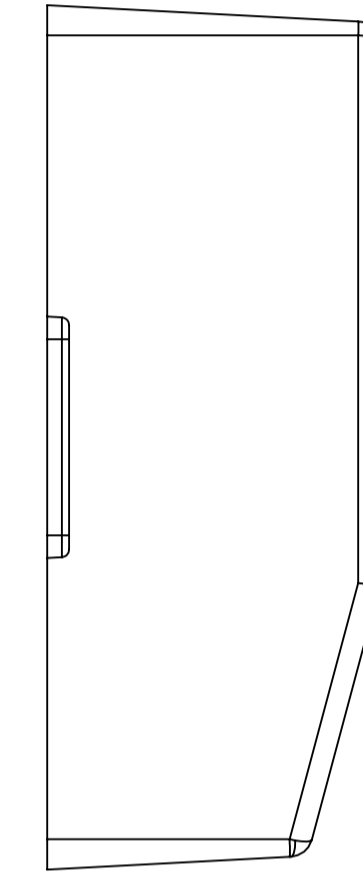
SURFACE-13



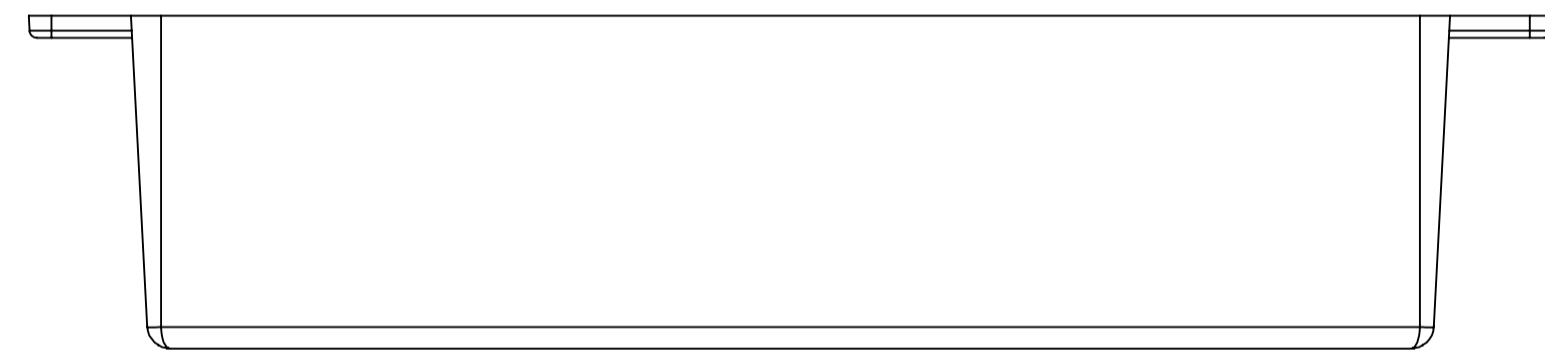
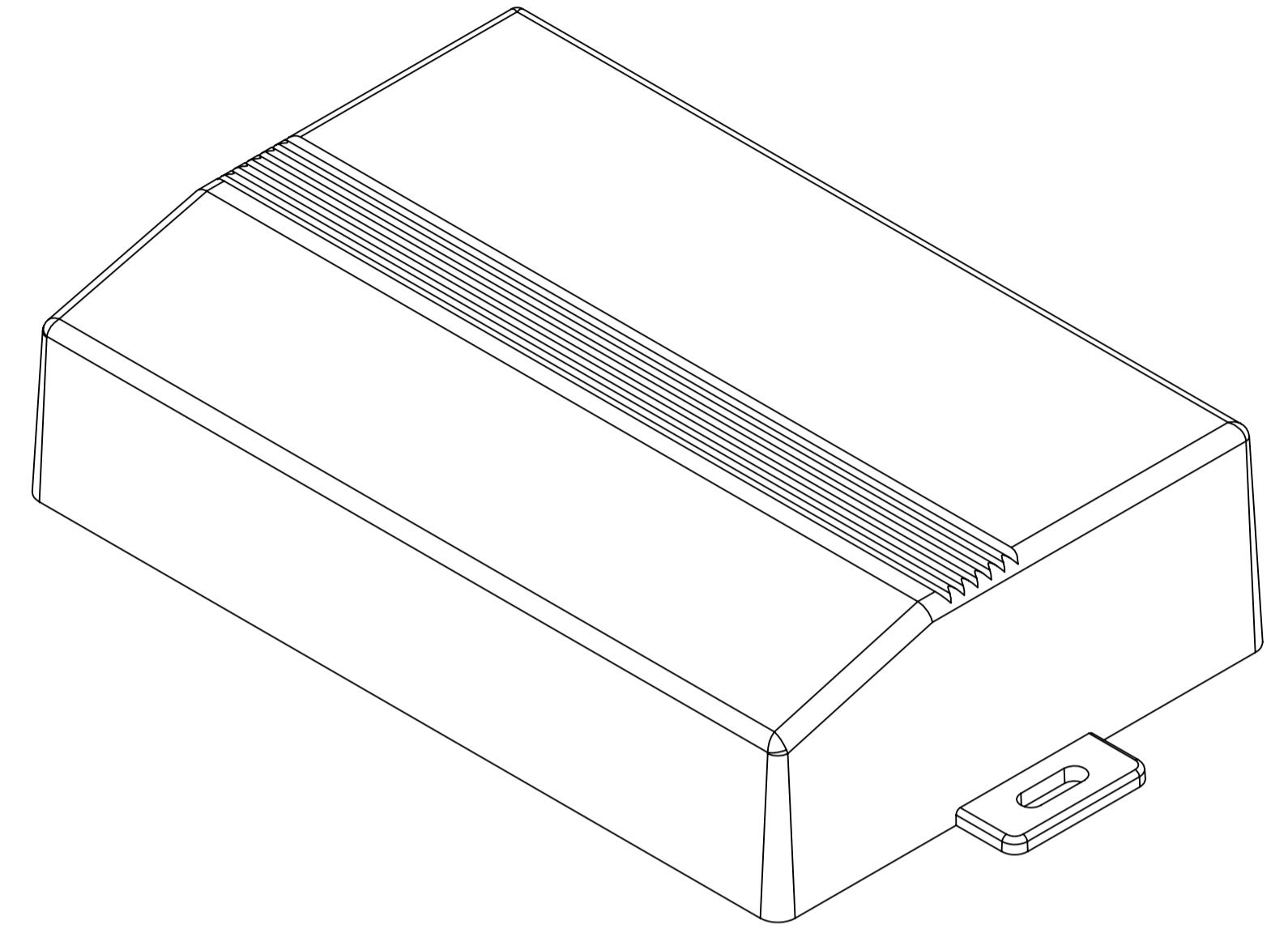
SURFACE-15



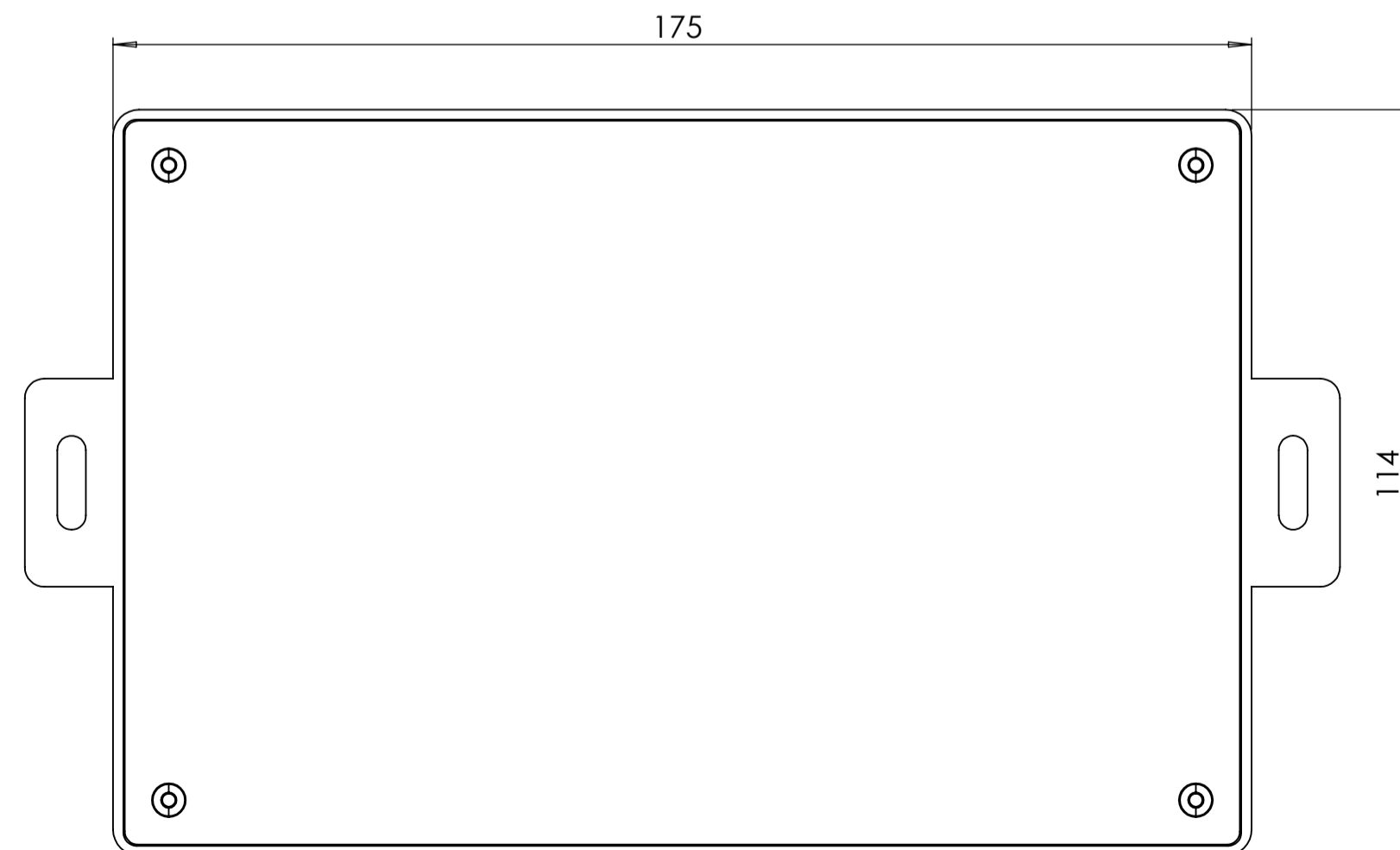
SURFACE-17



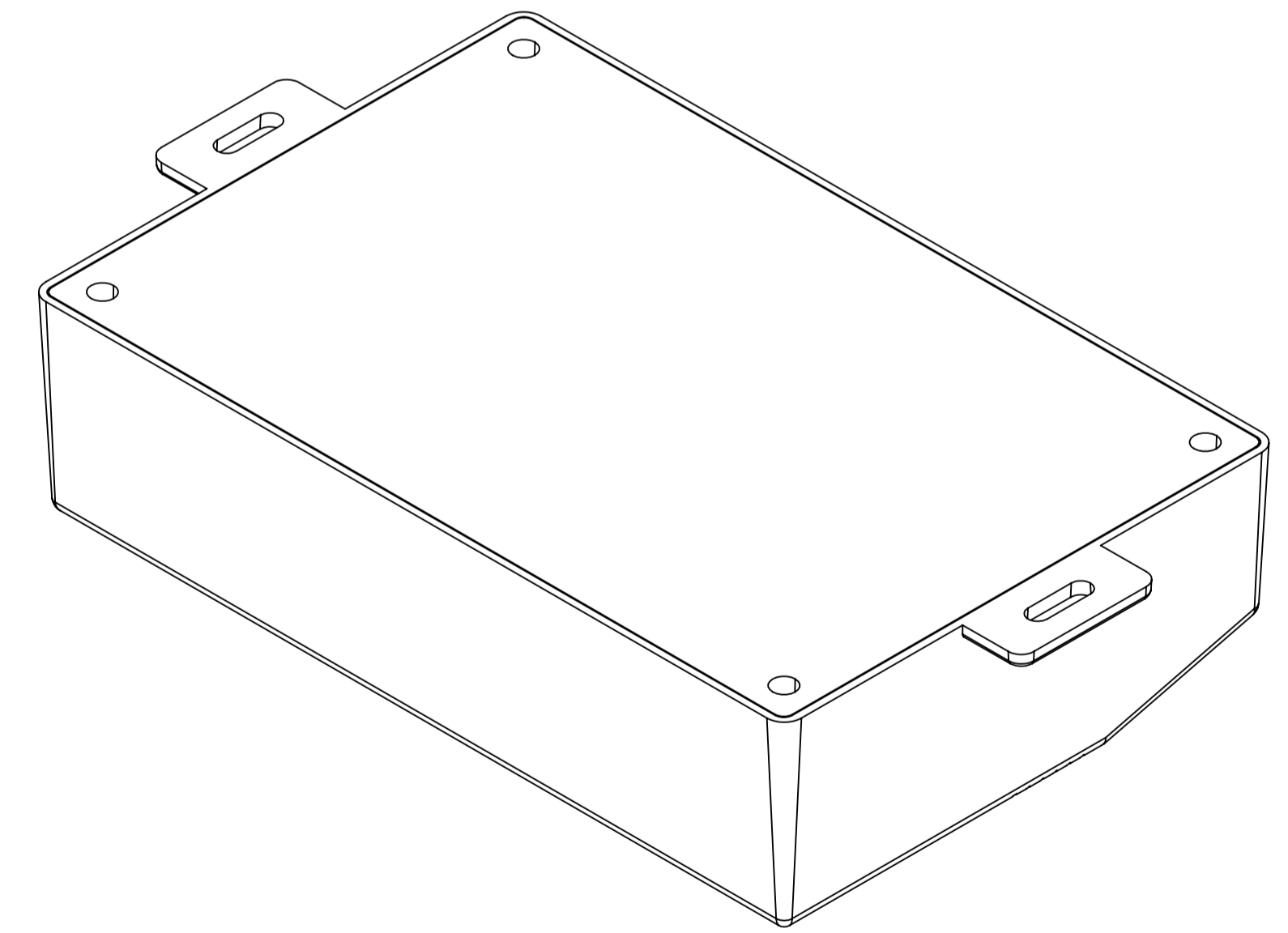
SURFACE-16




SURFACE-14



SURFACE-18



REV. NO.	DATE	REVISED BY	DESCRIPTION OF CHANGE
 ALTINKAYA Electronic Enclosures & Components			www.altinkaya.com
Customer Name:		Customer Ref.:	
Altinkaya Ref.:		Part Name: HH-040-A	
DRAWN	NAME	DATE	Drawn From:
CHECKED	Y. YEL	16.07.2024	Material:
DIMENSIONAL TOLERANCES UNLESS OTHERWISE SPECIFIED:			SCALE 1:1 UNIT : mm
(R&T/148)	±0.1	±0.1	±0.2
	±0.1	±0.2	±0.3
		±0.5	±0.5
			Dimension(mm)
			30-120mm
			120-400mm
			m(medium)
			A1
			SHEET 2 OF 2