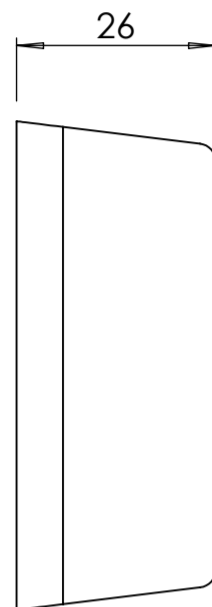


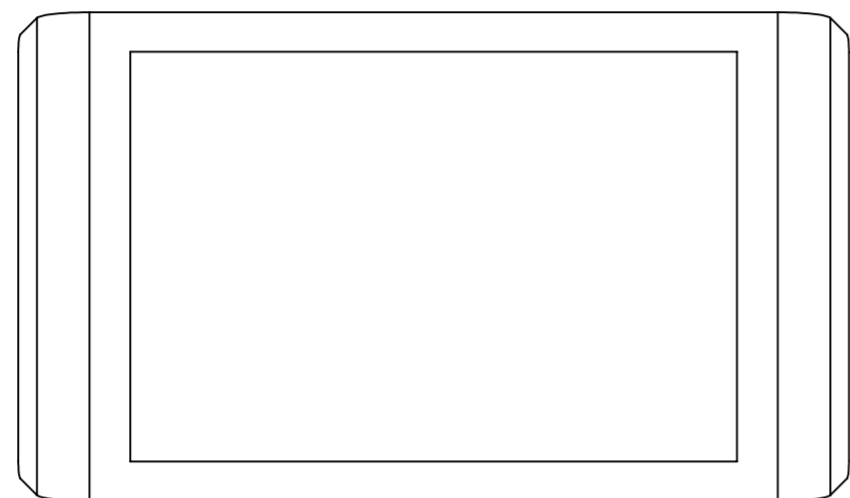
BASE: 6 SURFACE



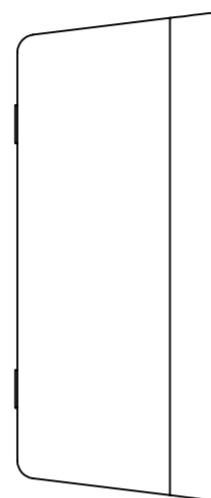
SURFACE-1



SURFACE-3



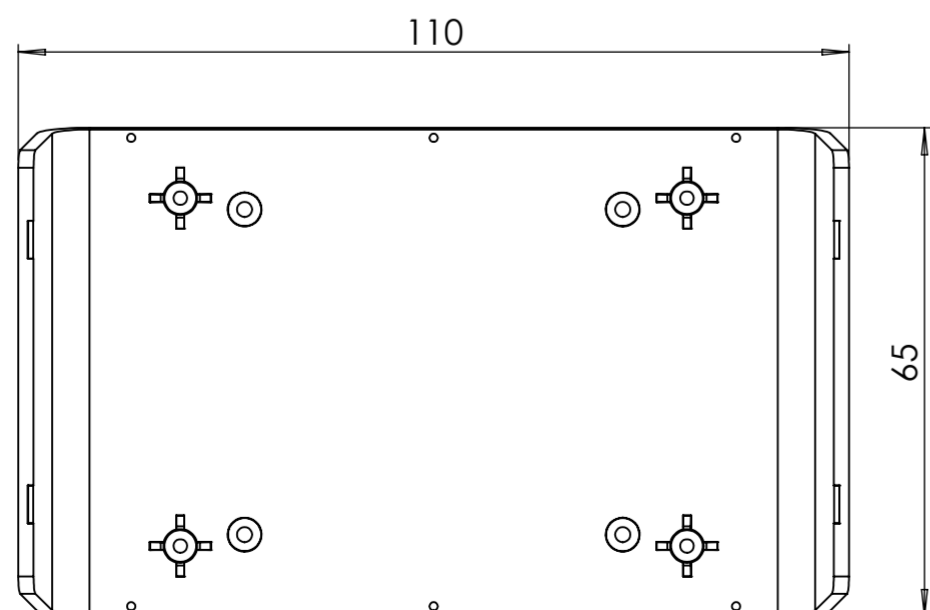
SURFACE-5



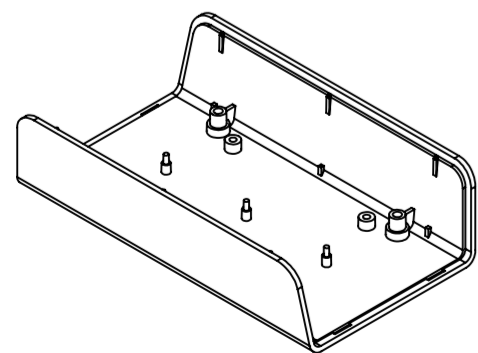
SURFACE-4



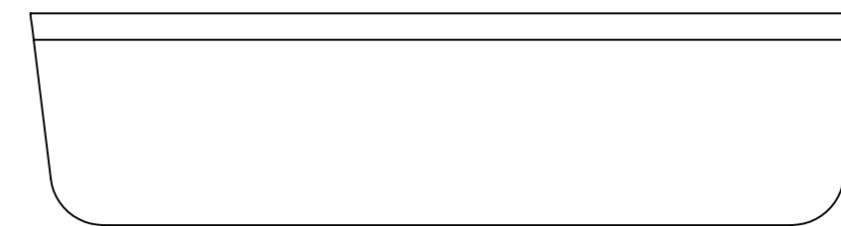
SURFACE-2



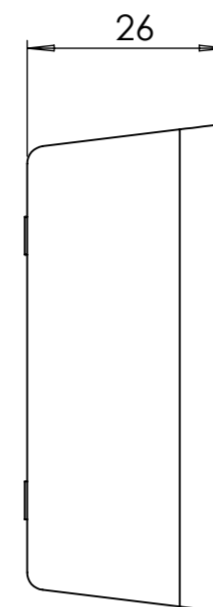
SURFACE-6 (INSIDE)



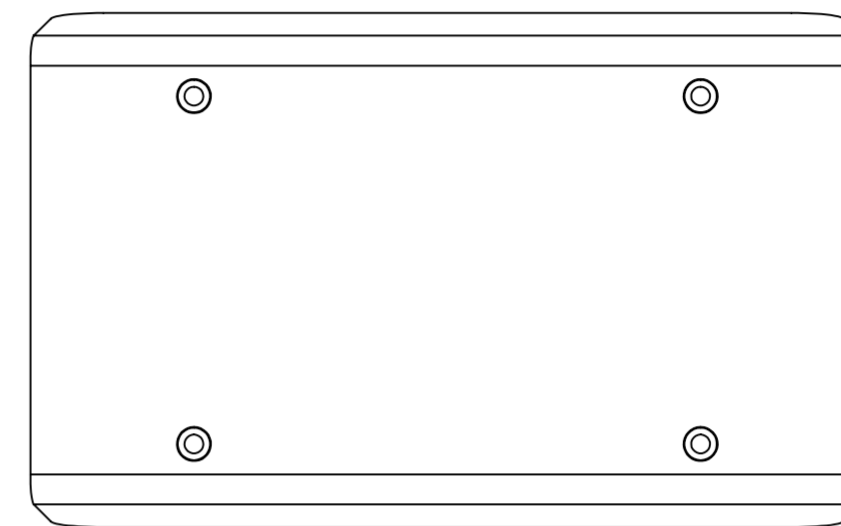
COVER: 6 SURFACE



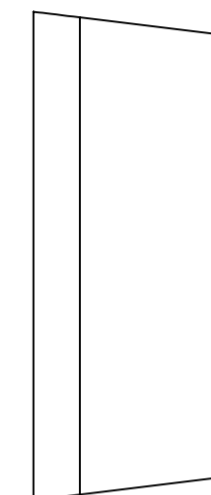
SURFACE-7



SURFACE-9



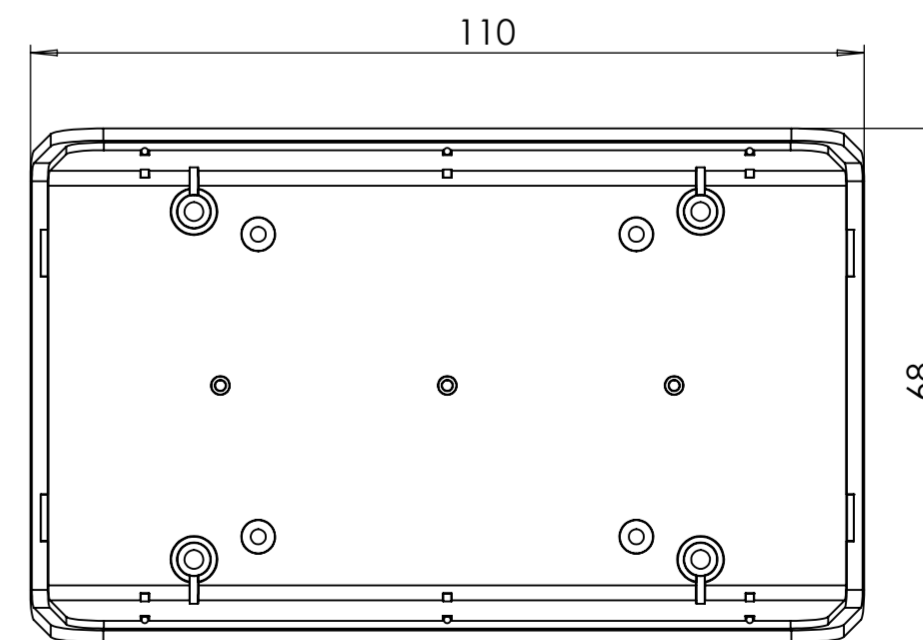
SURFACE-11



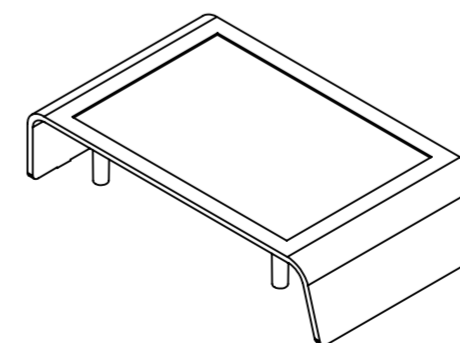
SURFACE-10




SURFACE-8

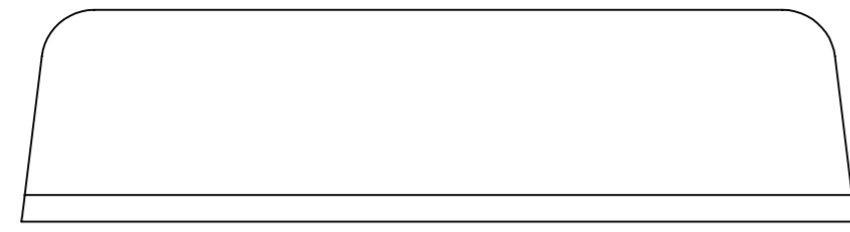


SURFACE-12 (INSIDE)

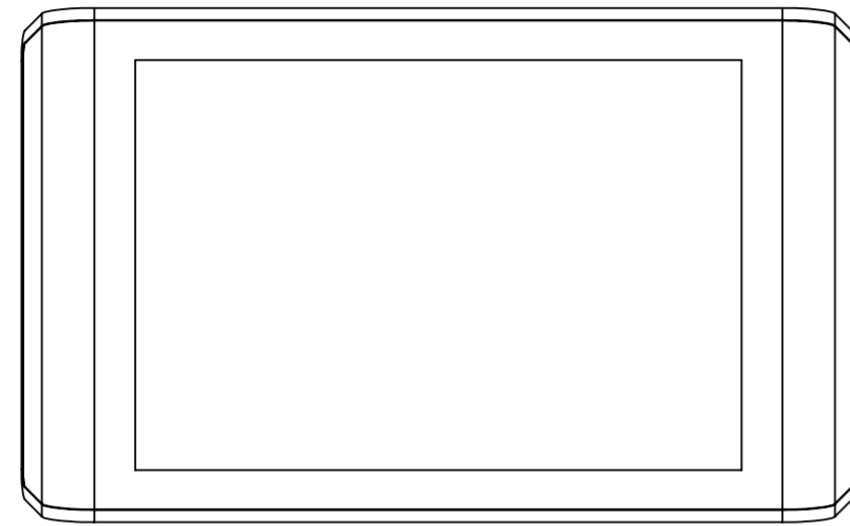


REV. NO	DATE	REVISED BY	DESCRIPTION OF CHANGE
			www.altinkaya.com
Customer Name:		Customer Ref.:	
Altinkaya Ref.:		Part Name: HH-023_3D	
DRAWN	NAME	DATE	Drawn From:
CHECKED	Y.YEL	13.07.2024	Material:
DIMENSIONAL TOLERANCES UNLESS OTHERWISE SPECIFIED (DIN 7148)		0,5-3mm	3-6mm
		6-30mm	30-120mm
		20-400mm	Dimension (mm)
		±0,1	±0,1
		±0,2	±0,3
		±0,5	m (medium)
SCALE: 1:1			UNIT: mm

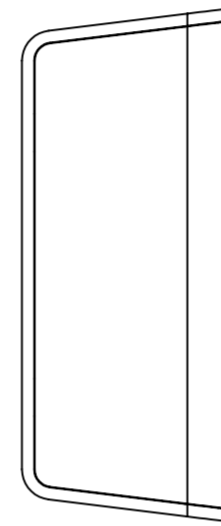
HH-023 IF MACHINED TOGETHER



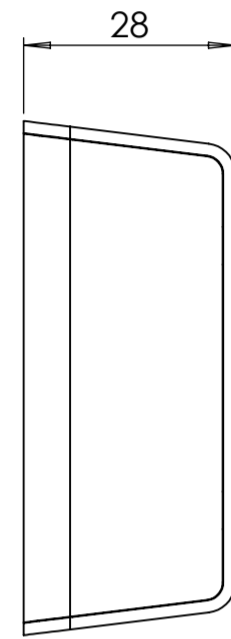
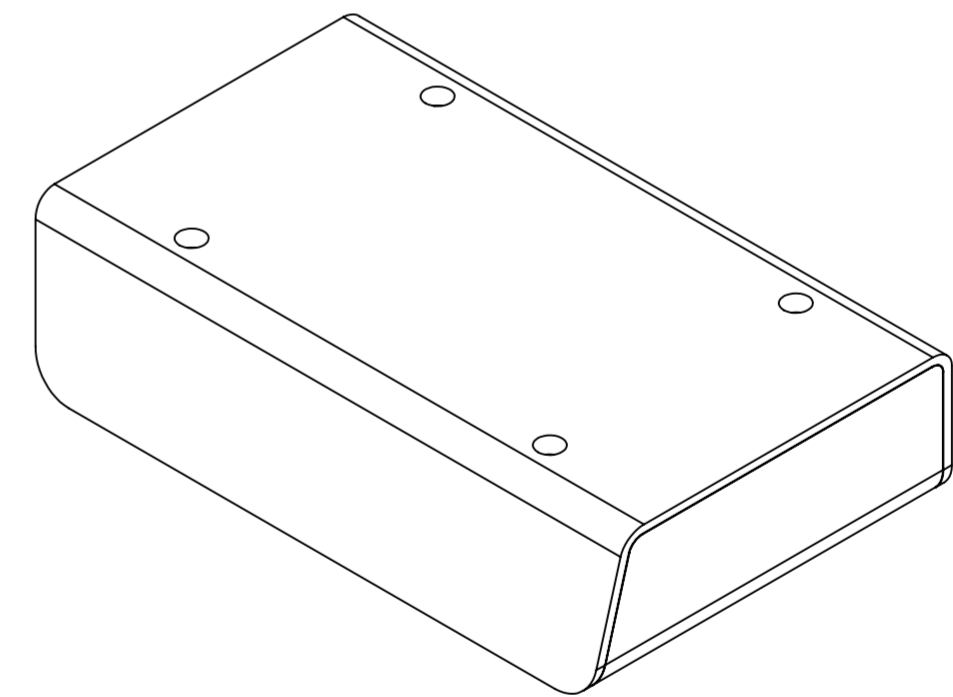
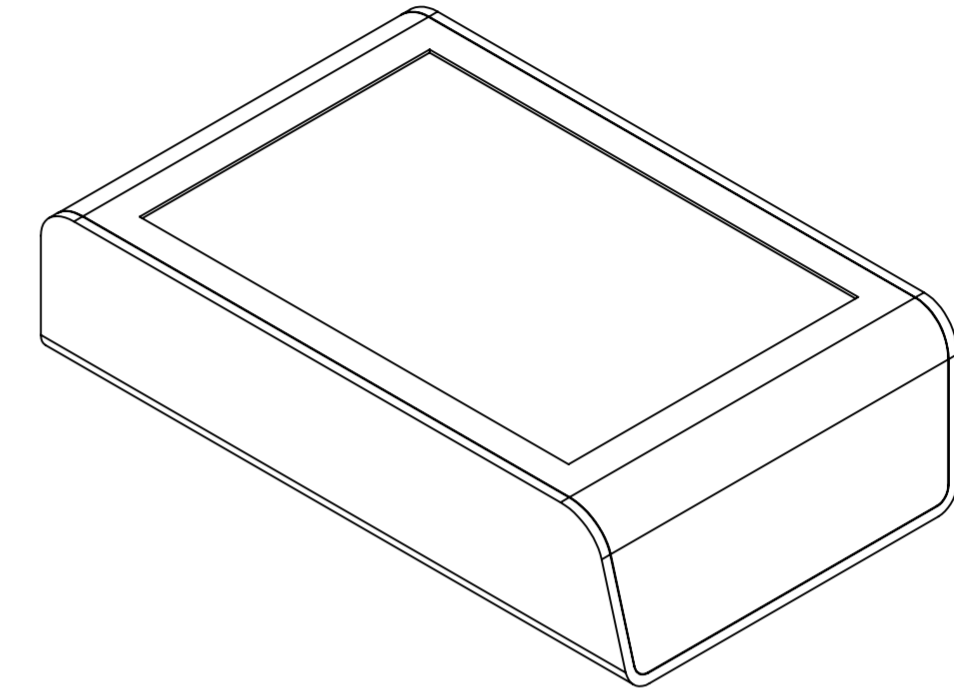
SURFACE-13



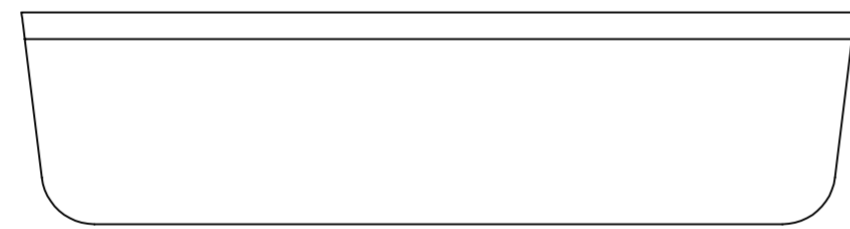
SURFACE-17



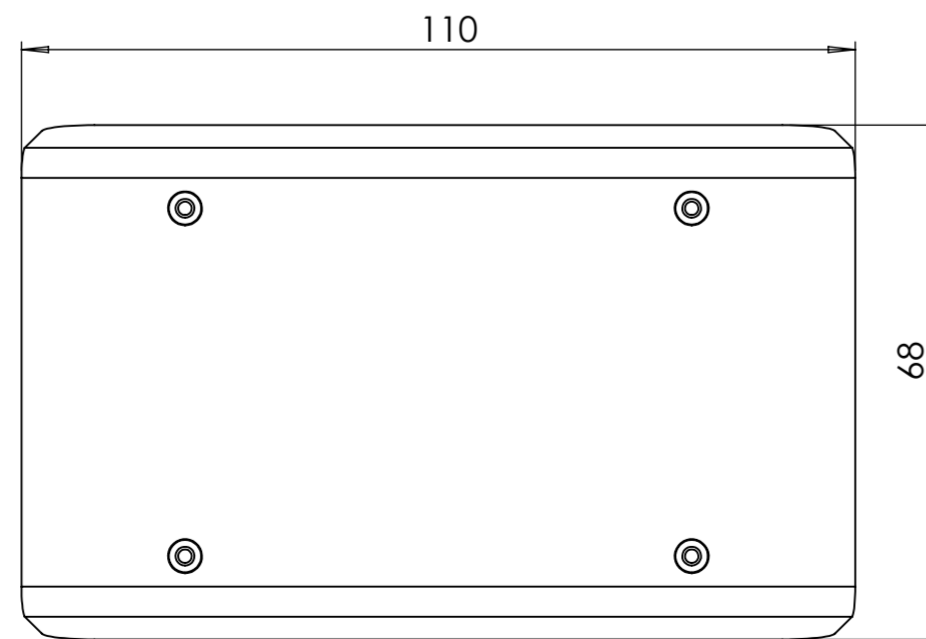
SURFACE-16




SURFACE-15



SURFACE-14



SURFACE-18

REV. NO	DATE	REVISED BY	DESCRIPTION OF CHANGE
			www.altinkaya.com
Customer Name:		Customer Ref.:	
Allinkaya Ref.:		Part Name: HH-023_3D	
DRAWN	NAME	DATE	Drawn From:
CHECKED	Y.YEL	13.07.2024	Weight:
DIMENSIONAL TOLERANCES (UNLESS OTHERWISE SPECIFIED) (DIN 7148)			
	0,5-3mm	3-6mm	6-30mm
	±0,1	±0,1	±0,2
			±0,3
			±0,5
			mm (medium)

SCALE: 1:1

SHEET 2 OF 2

A2