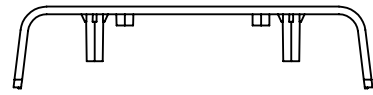
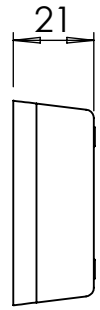


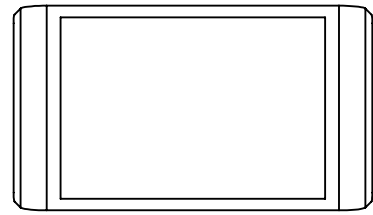
**BASE: 6 SURFACE**



SURFACE-1



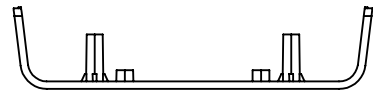
SURFACE-3



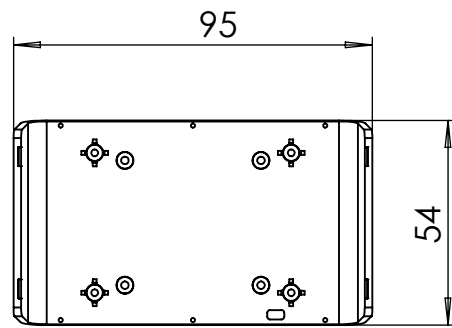
SURFACE-5



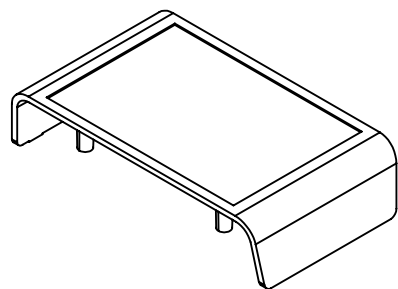
SURFACE-4



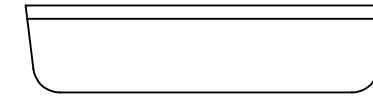
SURFACE-2



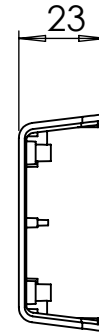
SURFACE-6 (INSIDE)



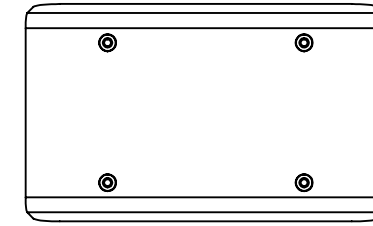
**COVER: 6 SURFACE**



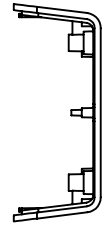
SURFACE-7



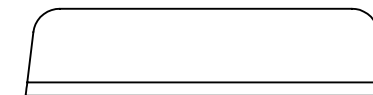
SURFACE-9



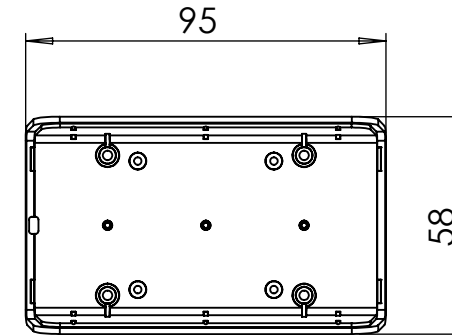
SURFACE-11



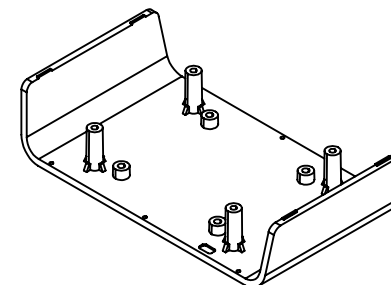
SURFACE-10




SURFACE-8



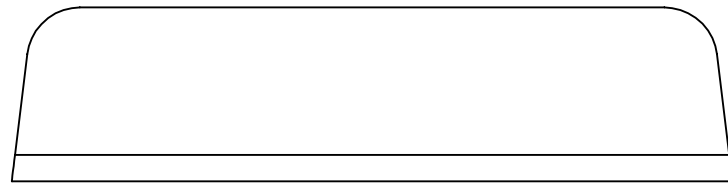
SURFACE-12 (INSIDE)



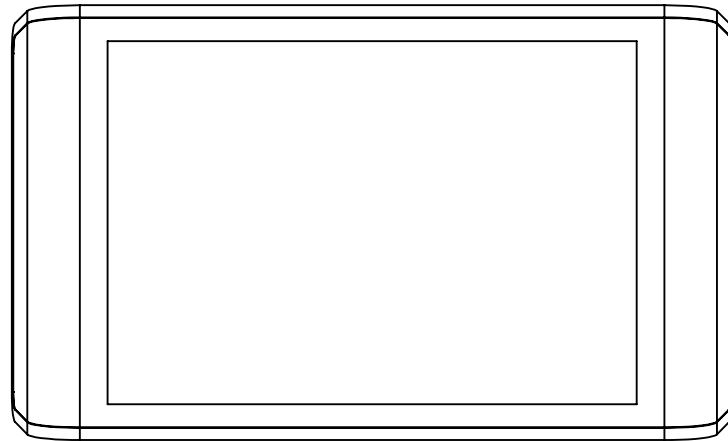
REV. NO	DATE	REVISED BY	DESCRIPTION OF CHANGE		
			<a href="http://www.altinkaya.com">www.altinkaya.com</a>		
Customer Name:		Customer Ref:			
Altinkaya Ref :		Part Name : hh-022			
	NAME	DATE	Drawn From:		
DRAWN	S. YESILOZ	13.07.2024	Material :		
CHECKED	Y. YEL	13.07.2024	Weight:	UNIT : mm	
DIMENSIONAL TOLERANCES UNLESS OTHERWISE SPECIFIED (DIN7168)			0,5-3mm	3-6 mm	6-30mm
			±0,1	±0,1	±0,2
			30-120mm	120-400mm	Dimension (mm)
			±0,3	±0,5	m (medium)
SCALE:1:2					SHEET 1 OF 2

A3

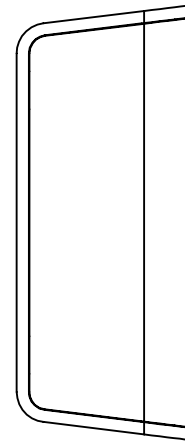
# HH-022 IF MACHINED TOGETHER



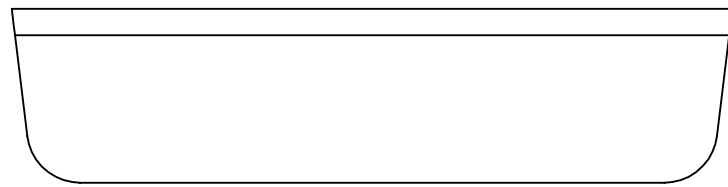
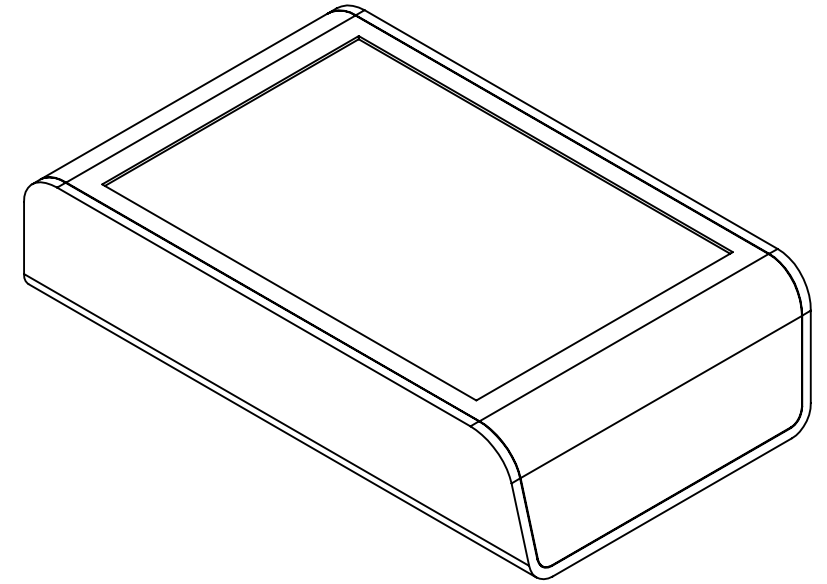
SURFACE-13



SURFACE-17

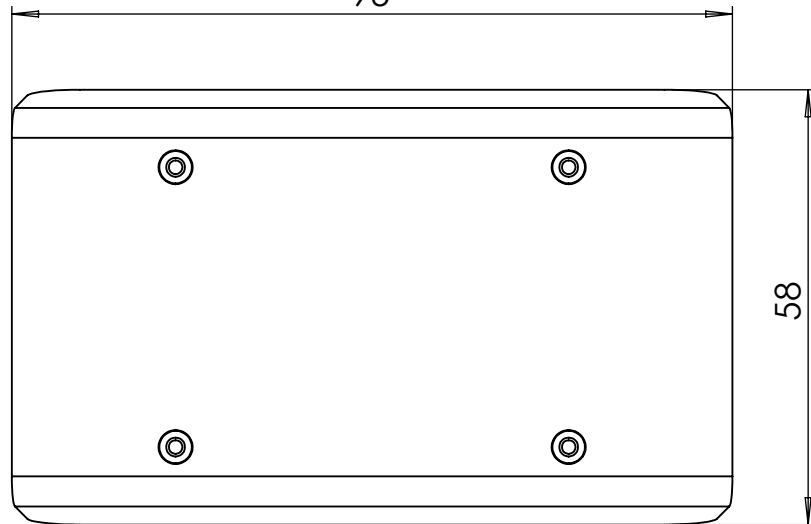


SURFACE-16



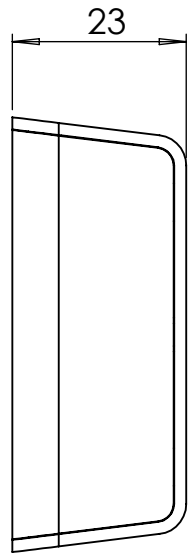
SURFACE-14

95



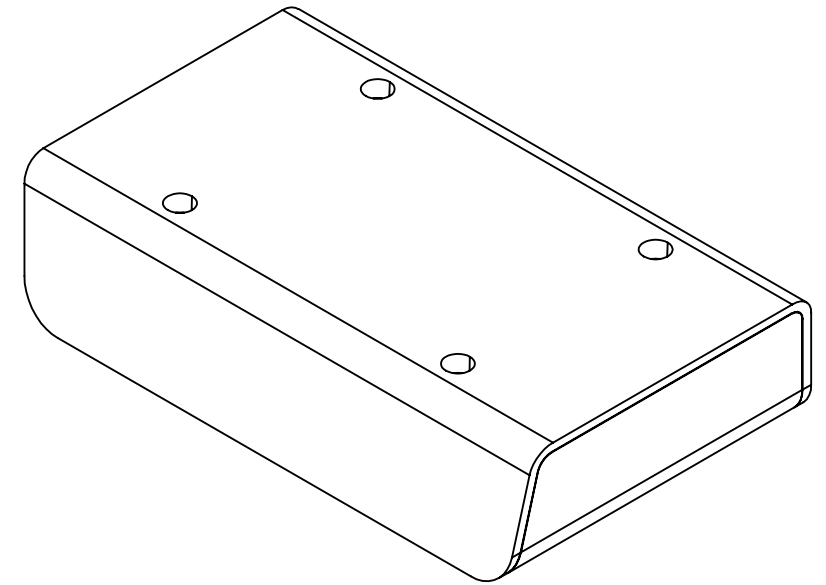
SURFACE-18

58



SURFACE-15

23



REV. NO	DATE	REVISED BY	DESCRIPTION OF CHANGE					
			<b>ALTINKAYA</b> Electronic Enclosures & Components					
			<a href="http://www.altinkaya.com">www.altinkaya.com</a>					
Customer Name:			Customer Ref:					
Altinkaya Ref:			Part Name : hh-022					
DRAWN S. YESILOZ 13.07.2024			Material :					
CHECKED Y. YEL 13.07.2024			Weight:					
			Drawn From:					
			UNIT : mm					
DIMENSIONAL TOLERANCES UNLESS OTHERWISE SPECIFIED (DIN7188)			0,5-3mm	3-6 mm	6-30mm	30-120mm	120-400mm	Dimension (mm)
			±0,1	±0,1	±0,2	±0,3	±0,5	m (medium)
			SCALE:1:1			SHEET 2 OF 2		

A3