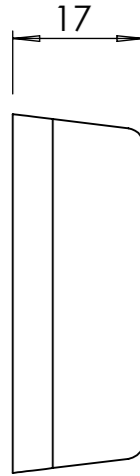


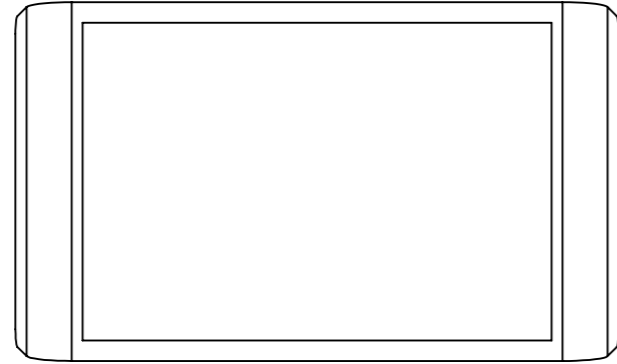
BASE: 6 SURFACE



SURFACE-1



SURFACE-3



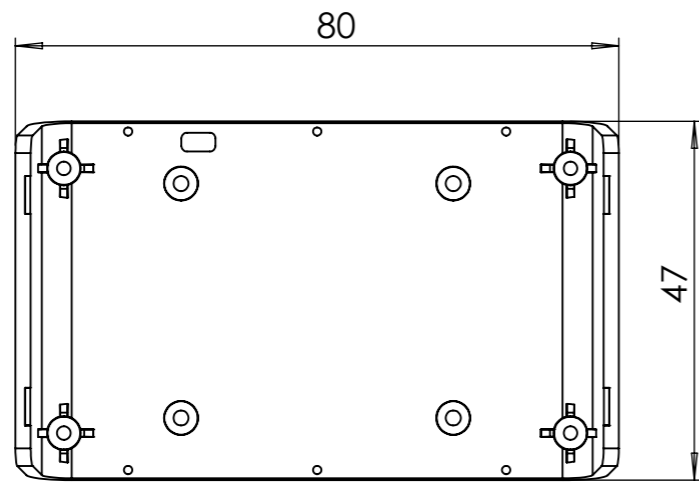
SURFACE-5



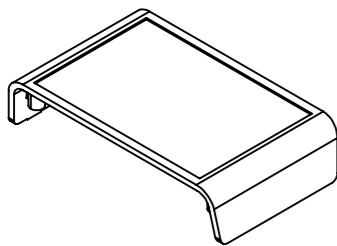
SURFACE-4



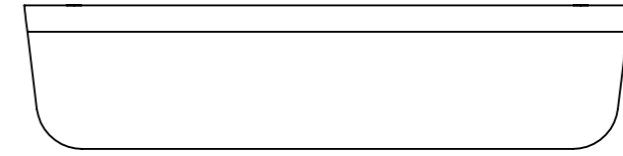
SURFACE-2



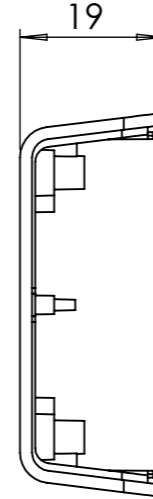
SURFACE-6 (INSIDE)



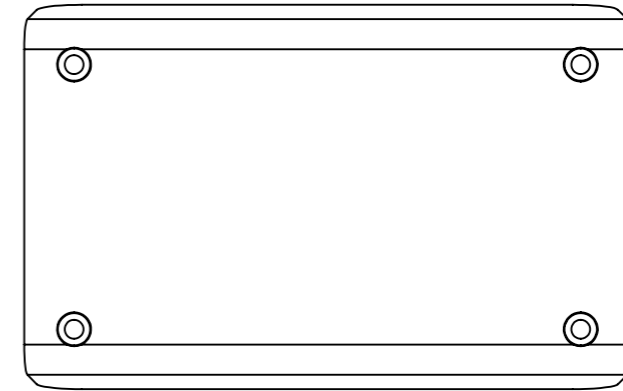
COVER: 6 SURFACE



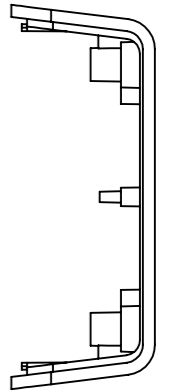
SURFACE-7



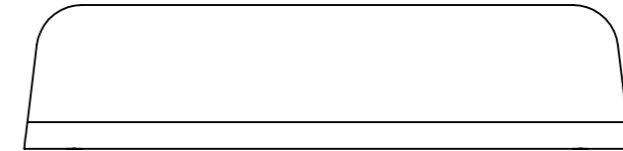
SURFACE-9



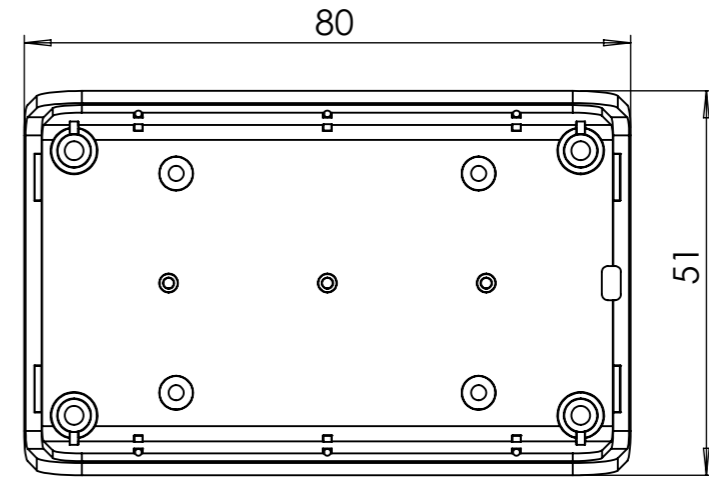
SURFACE-11



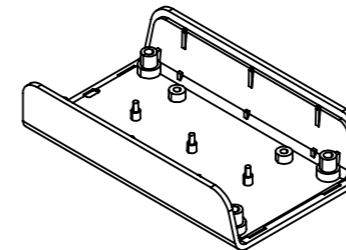
SURFACE-10



SURFACE-8

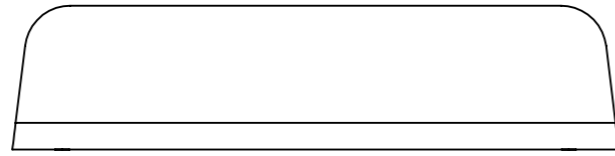


SURFACE-12 (INSIDE)

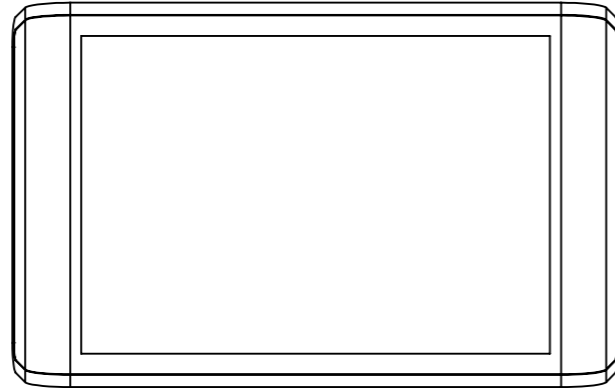


REV. NO	DATE	REVISED BY	DESCRIPTION OF CHANGE		
			www.altinkaya.com		
Customer Name:		Customer Ref:			
Altinkaya Ref:		Part Name: hh-021			
DRAWN	NAME	DATE	Drawn From:		
	S. YESILOZ	13.07.2024	Material:		
CHECKED	Y. YEL	13.07.2024	Weight:		UNIT: mm
DIMENSIONAL TOLERANCES UNLESS OTHERWISE SPECIFIED (DIN7185)			0,5-3mm	3-6 mm	6-30mm
			±0,1	±0,1	±0,2
			30-120mm	120-400mm	Dimension (mm)
			±0,3	±0,5	m (medium)
SCALE:1:1					A3
SHEET 1 OF 2					

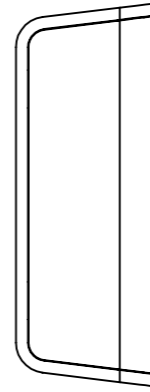
HH-021 IF MACHINED TOGETHER



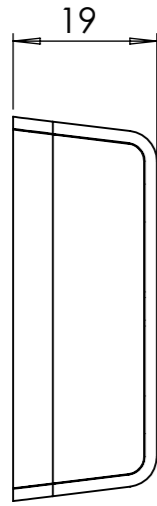
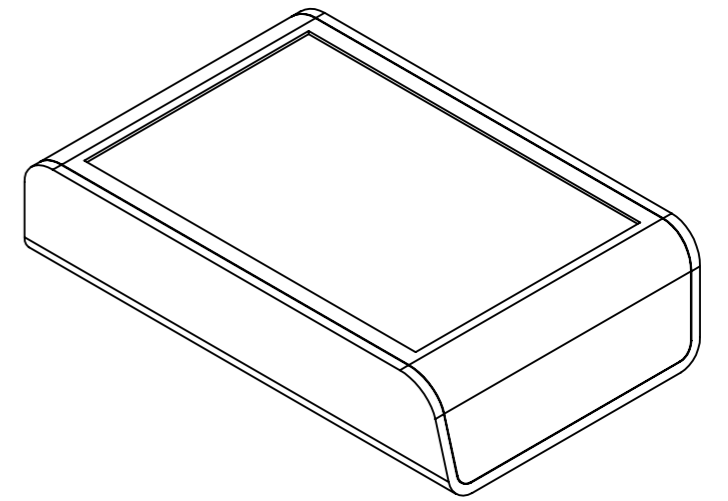
SURFACE-13



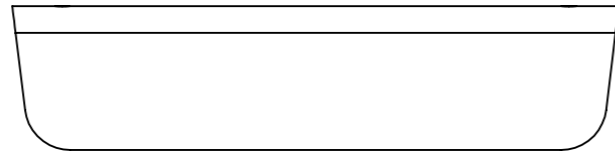
SURFACE-17



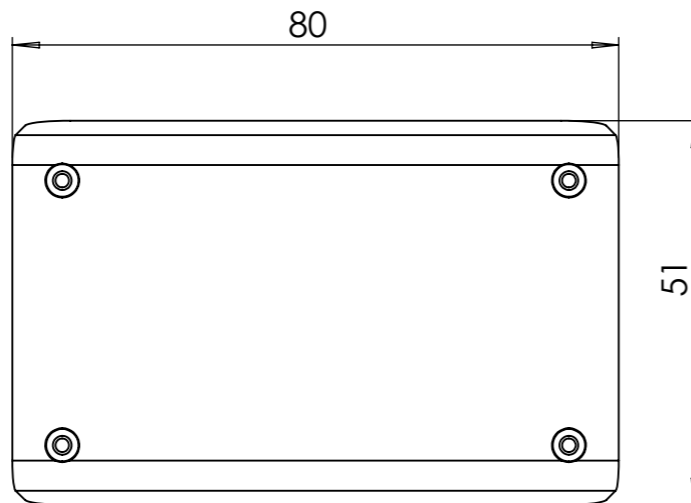
SURFACE-16



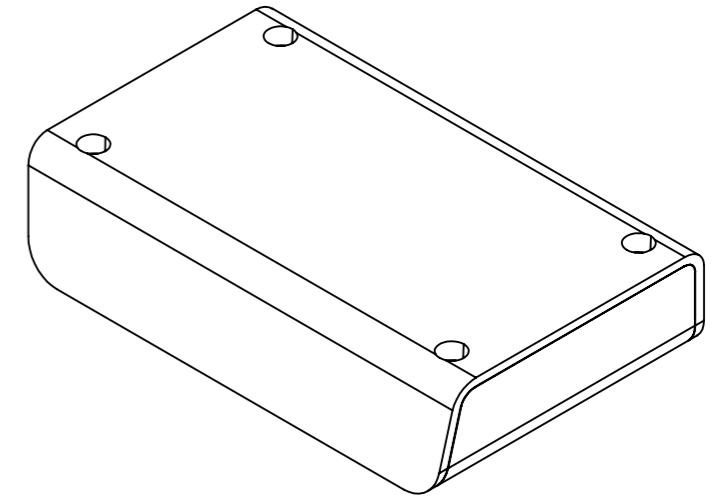
SURFACE-15



SURFACE-14



SURFACE-18



REV. NO	DATE	REVISED BY	DESCRIPTION OF CHANGE		
ALTINKAYA Electronic Enclosures & Components			www.altinkaya.com		
Customer Name:		Customer Ref:			
Altinkaya Ref :		Part Name : hh-021			
	NAME	DATE	Drawn From:		
DRAWN	S. YESILOZ	13.07.2024	Material :		
CHECKED	Y. YEL	13.07.2024	Weight:	UNIT : mm	
DIMENSIONAL TOLERANCES UNLESS OTHERWISE SPECIFIED (DIN7168)			0,5-3mm	3-6 mm	6-30mm
			±0,1	±0,1	±0,2
			30-120mm	120-400mm	Dimension (mm)
			±0,3	±0,5	m (medium)
			SCALE:1:1 SHEET 2 OF 2		

A3