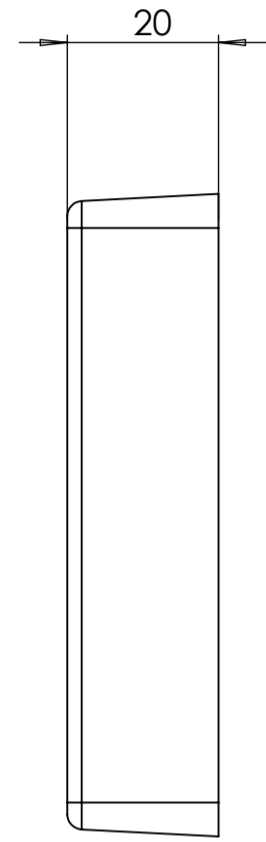
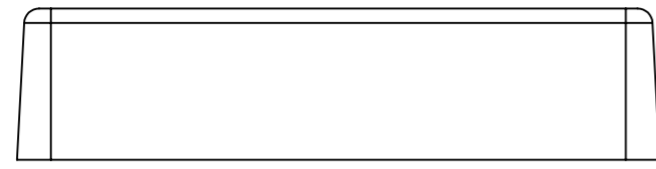


BASE: 6 SURFACE

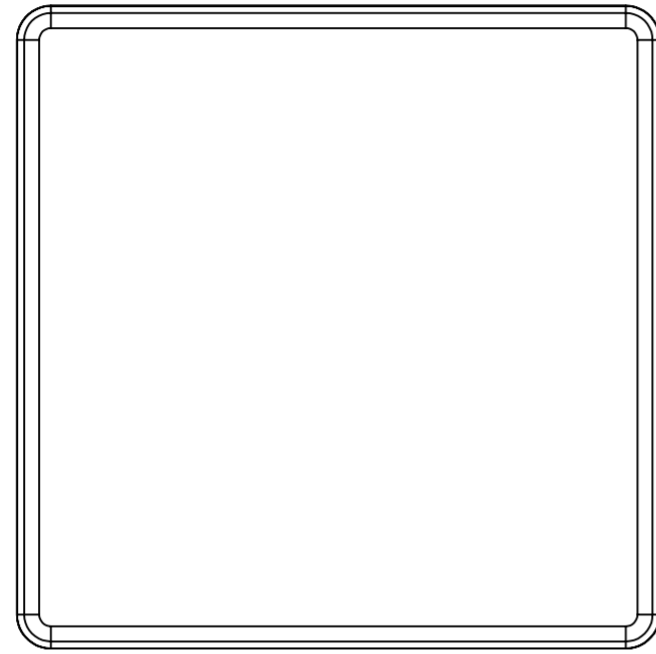
COVER: 6 SURFACE



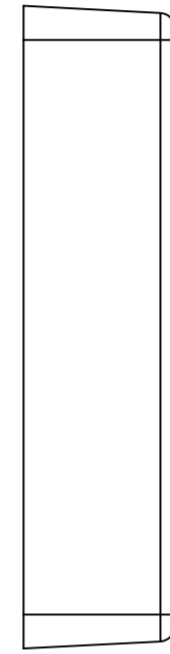
SURFACE-3



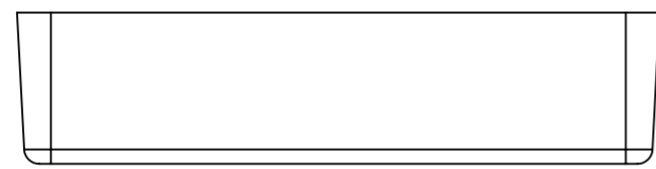
SURFACE-1



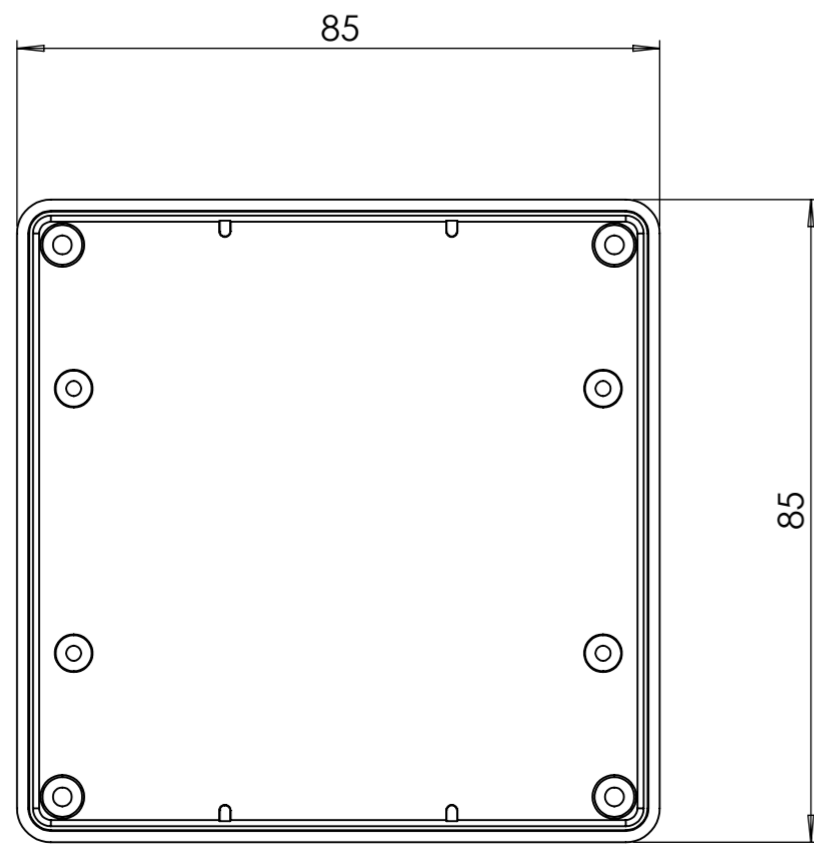
SURFACE-5



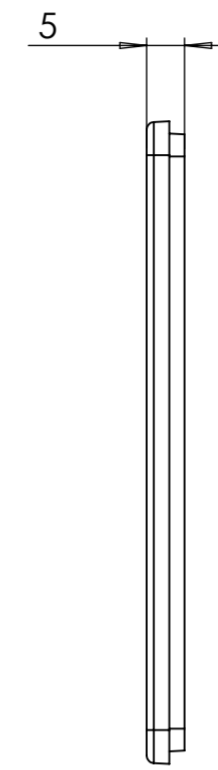
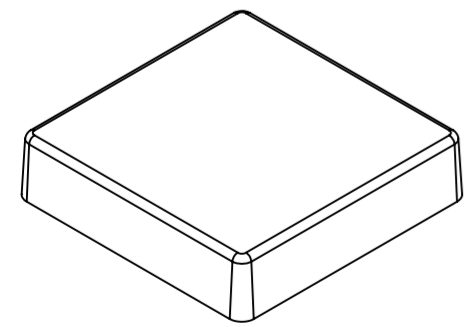
SURFACE-4



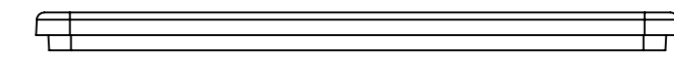
SURFACE-2



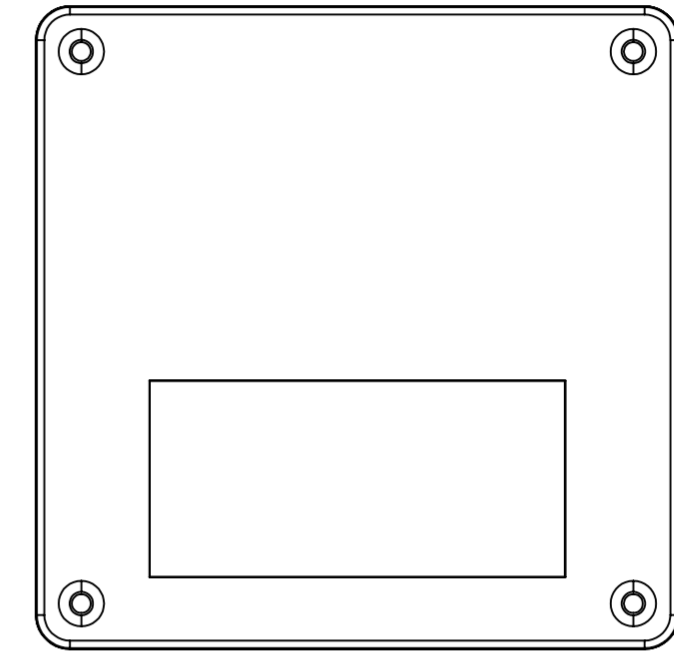
SURFACE-6 (INSIDE)



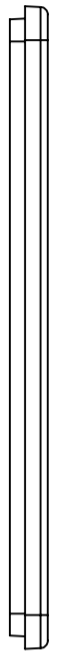
SURFACE-9



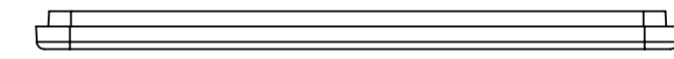
SURFACE-7



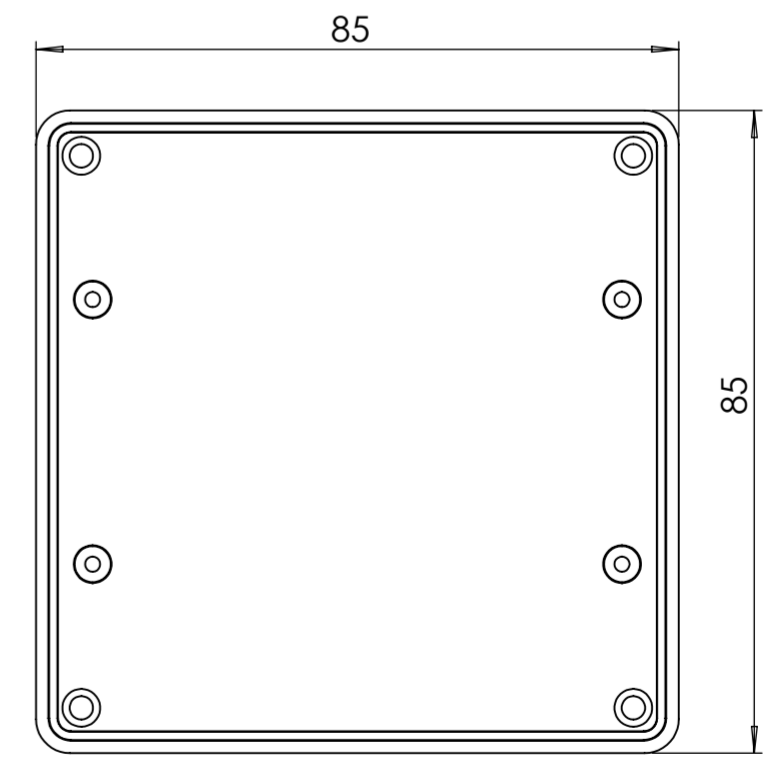
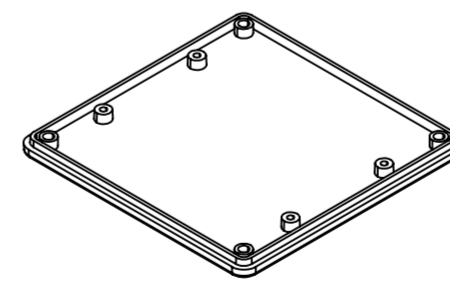
SURFACE-11



SURFACE-10



SURFACE-8



SURFACE-12 (INSIDE)

REV. NO	DATE	REVISED BY	DESCRIPTION OF CHANGE
 ALTINKAYA Electronic Enclosures & Components			
Customer Name:		Customer Ref.:	
Allinkaya Ref.:		Part Name: HK-018	
DRAWN	NAME	DATE	Drawn From:
Y.YEL	S.YESIL OZ	13.07.2024	Material:
CHECKED	Y.YEL	13.07.2024	Weight:
DIMENSIONAL TOLERANCES (UNLESS OTHERWISE SPECIFIED) (DIN 7148)			
	0,5-3mm	3-6mm	6-30mm
	±0,1	±0,1	±0,2
			±0,3
			±0,5
			mm (medium)

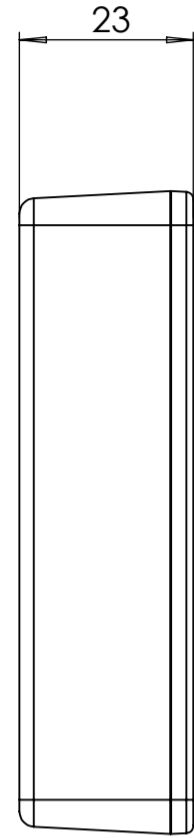
SCALE: 1:1

SHEET 1 OF 2

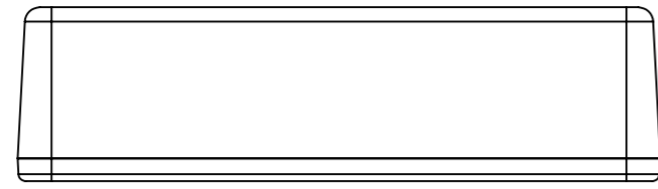
A2



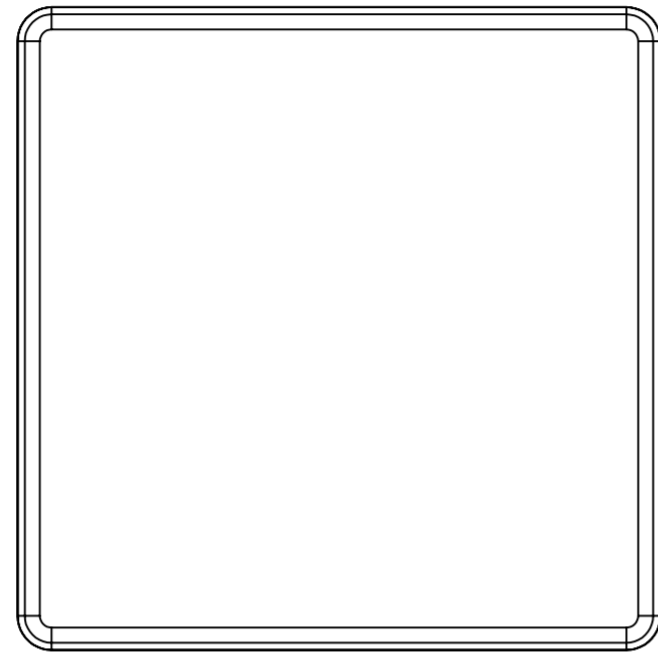
HH-018 IF MACHINED TOGETHER



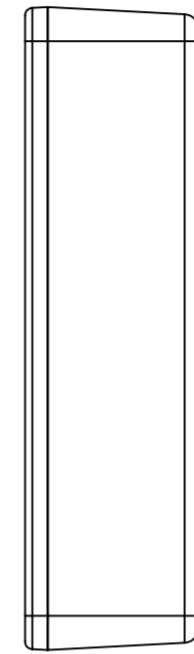
SURFACE-15



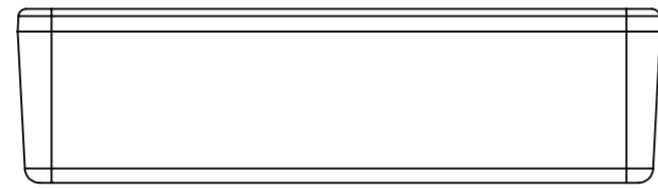
SURFACE-13



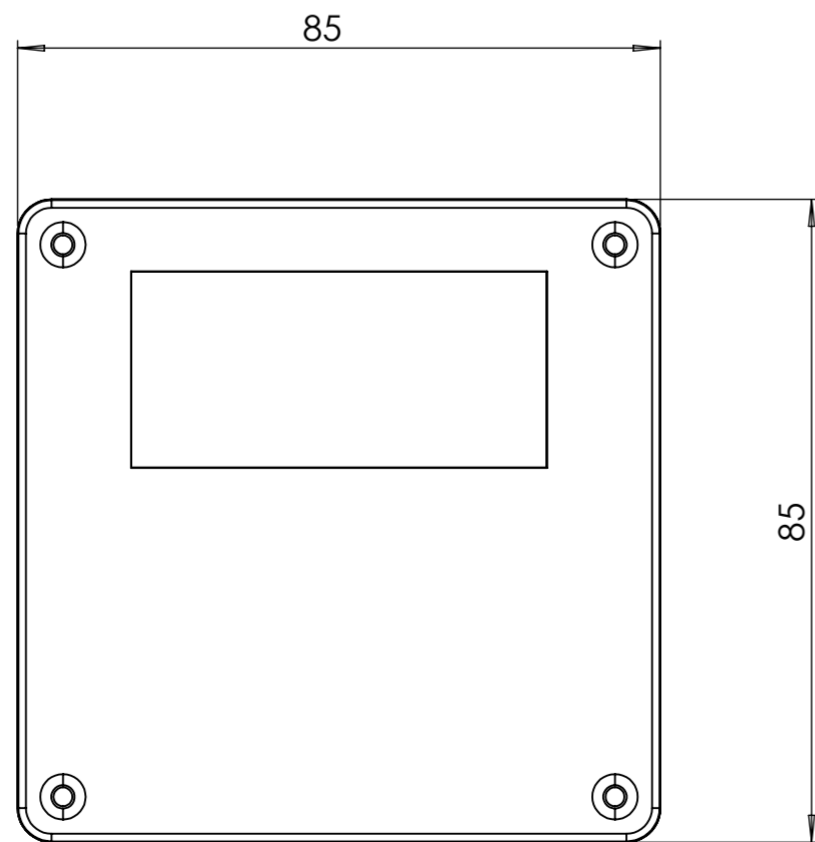
SURFACE-17



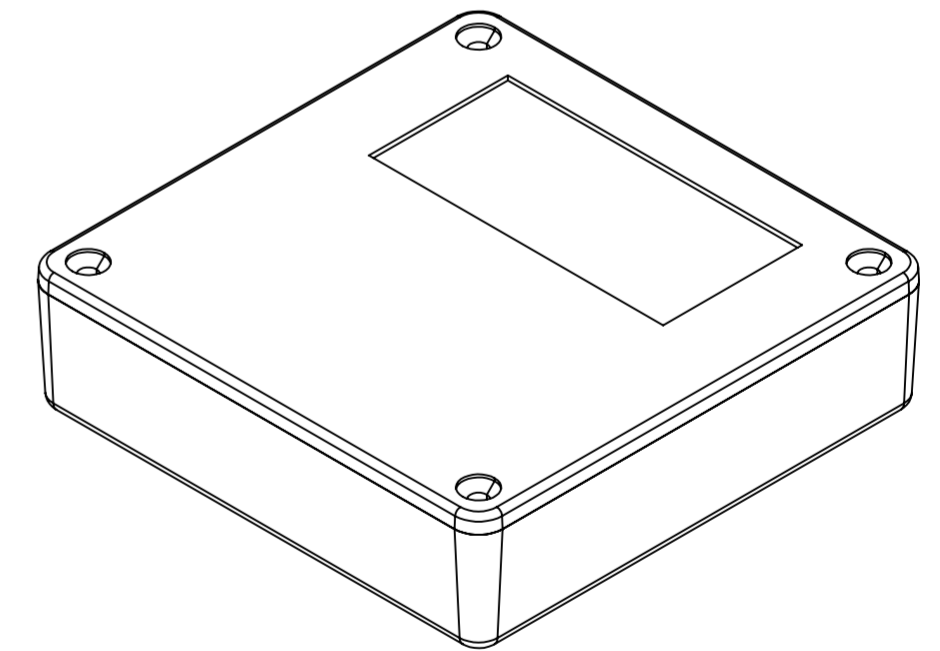
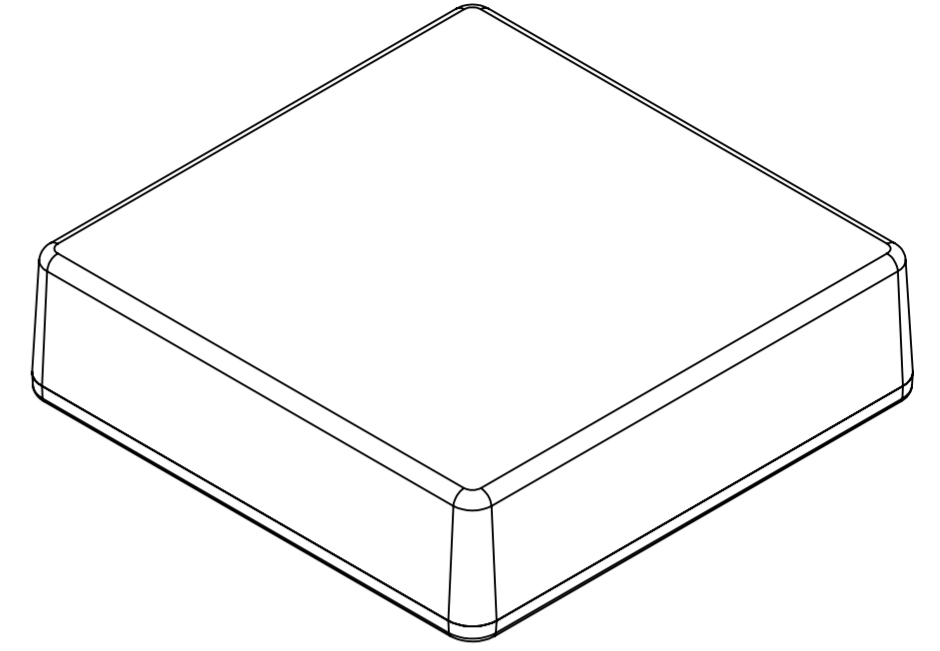
SURFACE-16




SURFACE-14



SURFACE-18



REV. NO	DATE	REVISED BY	DESCRIPTION OF CHANGE
 ALTINKAYA Electronic Enclosures & Components			
Customer Name:		Customer Ref.:	
Allinkaya Ref.:		Part Name: HH-018	
DRAWN	NAME	DATE	Drawn From:
CHECKED	Y.YEL	13.07.2024	Weight:
DIMENSIONAL TOLERANCES UNLESS OTHERWISE SPECIFIED (DIN 7148)			
	0,5-3mm	3-6mm	6-30mm
	±0,1	±0,1	±0,2
			±0,3
			±0,5
			mm (medium)