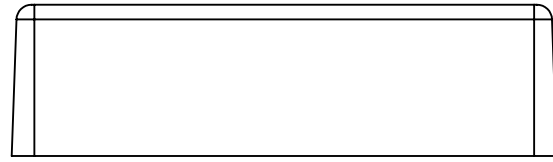
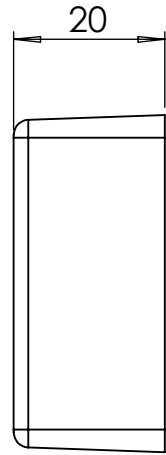


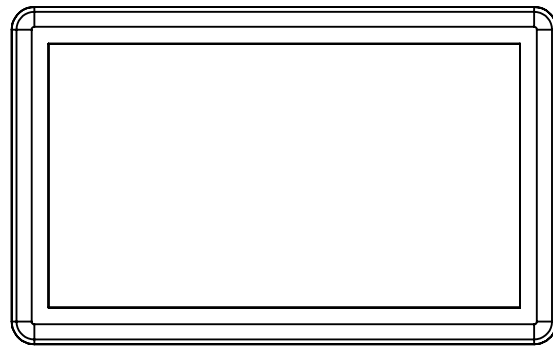
BASE: 6 SURFACE



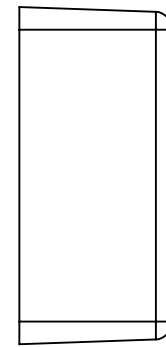
SURFACE-1



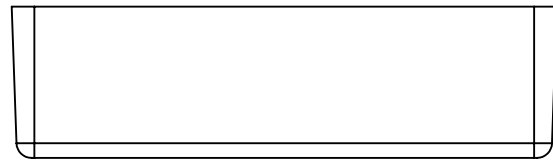
SURFACE-3



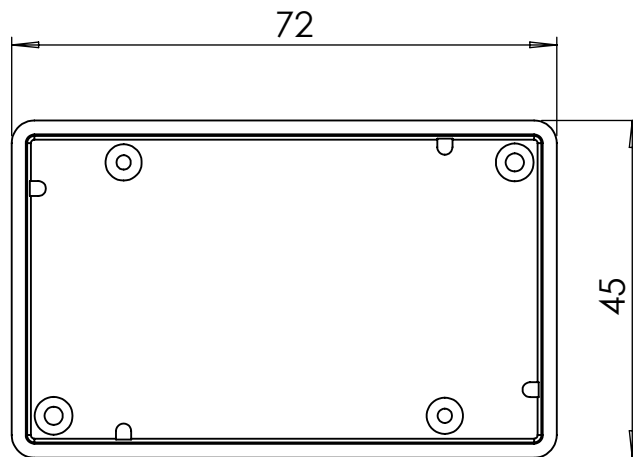
SURFACE-5



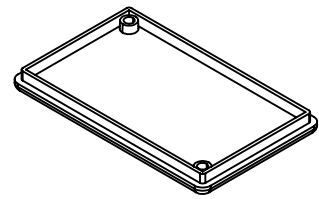
SURFACE-4



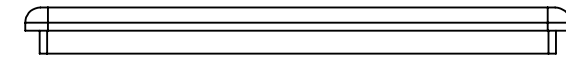
SURFACE-2



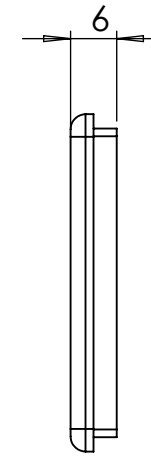
SURFACE-6 (INSIDE)



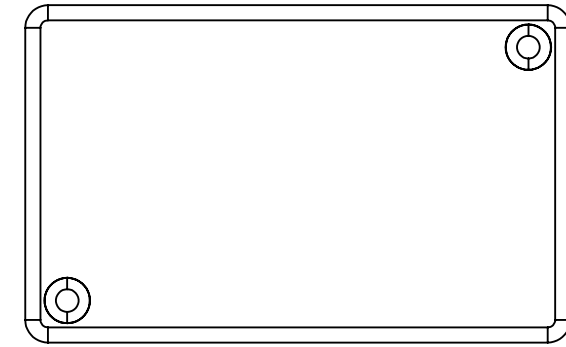
COVER: 6 SURFACE



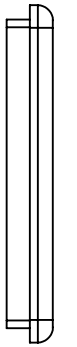
SURFACE-7



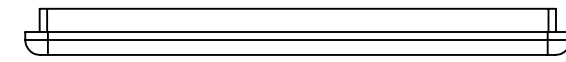
SURFACE-9



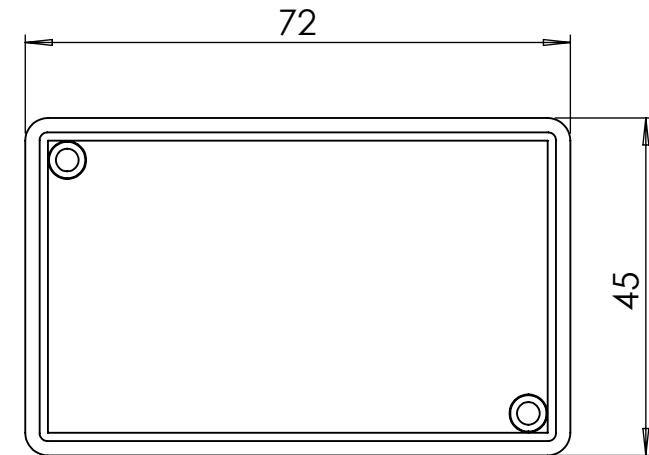
SURFACE-11



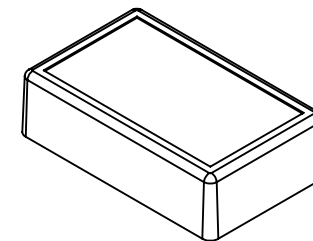
SURFACE-10




SURFACE-8



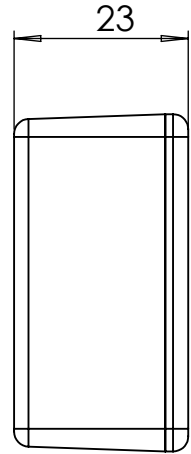
SURFACE-12 (INSIDE)



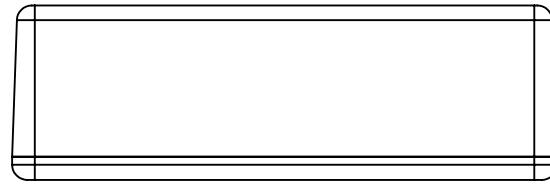
REV. NO	DATE	REVISED BY	DESCRIPTION OF CHANGE				
			www.altinkaya.com				
Customer Name:		Customer Ref:					
Altinkaya Ref:		Part Name: HH-014					
DRAWN	NAME	DATE	Drawn From:				
CHECKED	Y. YEL	13.07.2024	Material:				
DIMENSIONAL TOLERANCES UNLESS OTHERWISE SPECIFIED (DIN7168)		0,5-3mm	3-6 mm	6-30mm	30-120mm	120-400mm	UNIT : mm
		±0,1	±0,1	±0,2	±0,3	±0,5	m (medium)
SCALE:1:1						SHEET 1 OF 2	

A3

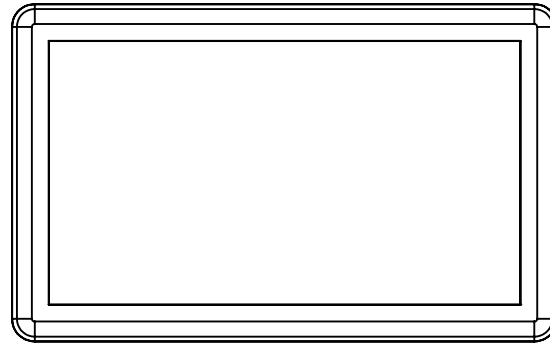
HH-014 IF MACHINED TOGETHER



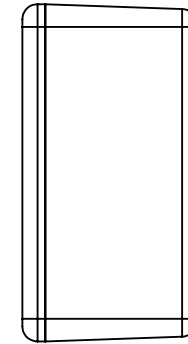
SURFACE-15



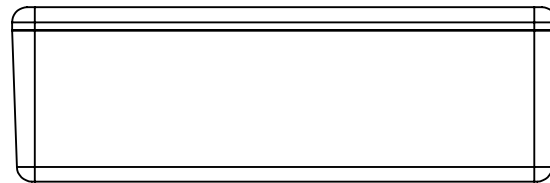
SURFACE-13



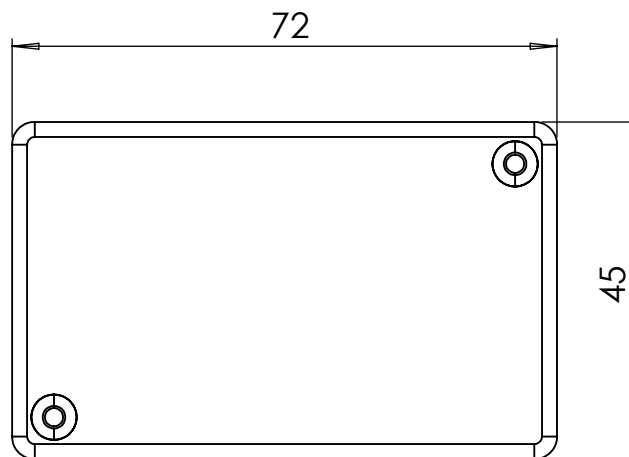
SURFACE-17



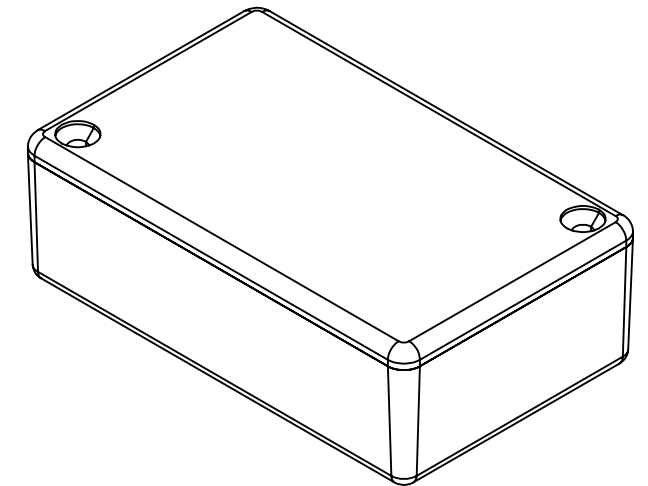
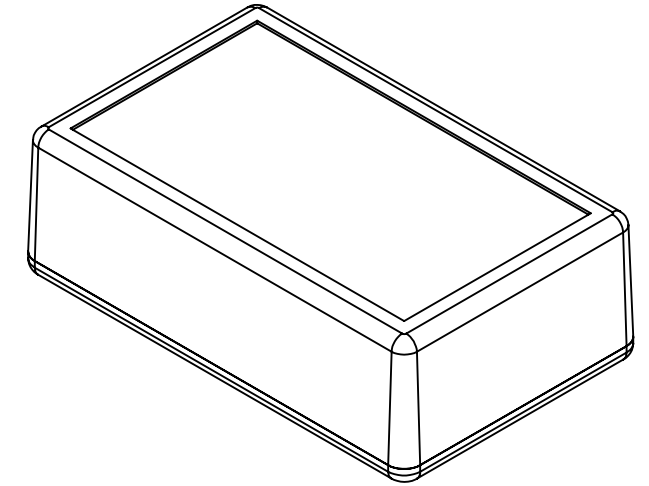
SURFACE-16




SURFACE-14



SURFACE-18



REV. NO	DATE	REVISED BY	DESCRIPTION OF CHANGE					
			www.altinkaya.com					
Customer Name:		Customer Ref:						
Altinkaya Ref :		Part Name : HH-014						
	NAME	DATE	Drawn From:					
DRAWN	S. YESILOZ	13.07.2024	Material :					
CHECKED	Y. YEL	13.07.2024	Weight:	UNIT : mm				
DIMENSIONAL TOLERANCES UNLESS OTHERWISE SPECIFIED (DIN7185)			0,5-3mm	3-6 mm	6-30mm	30-120mm	120-400mm	Dimension (mm)
			±0,1	±0,1	±0,2	±0,3	±0,5	m (medium)
SCALE:1:1							SHEET 2 OF 2	

A3