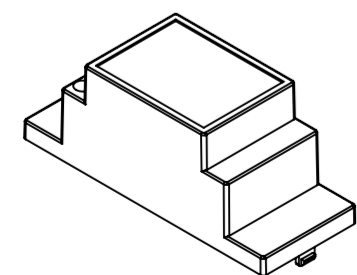
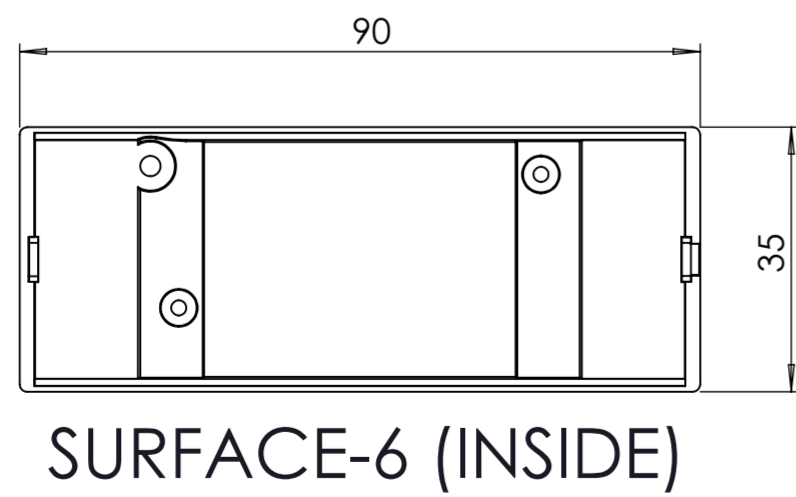
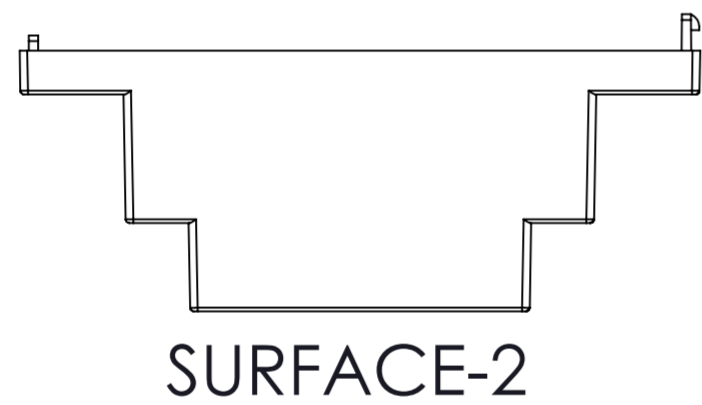
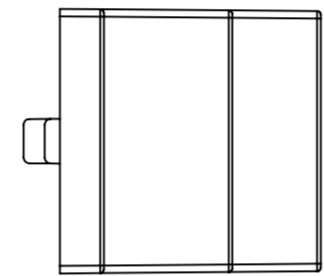
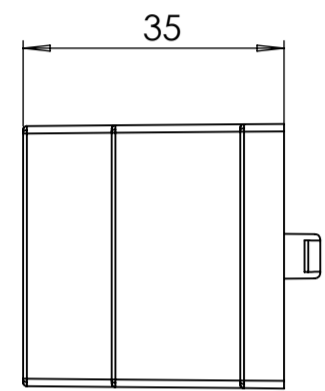
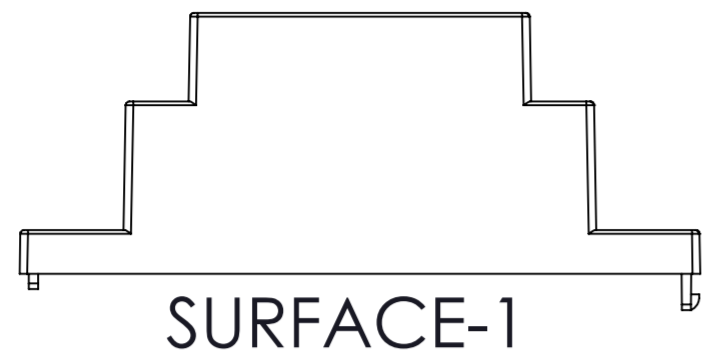
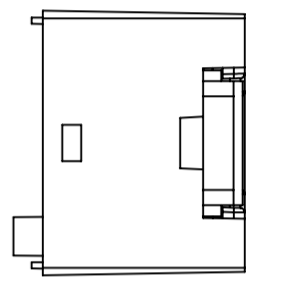
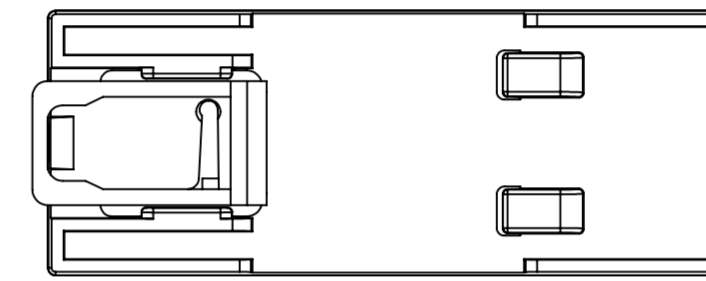
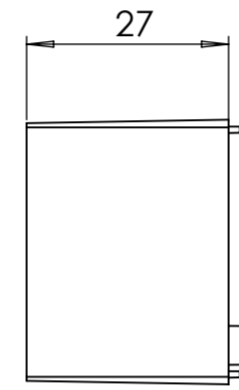
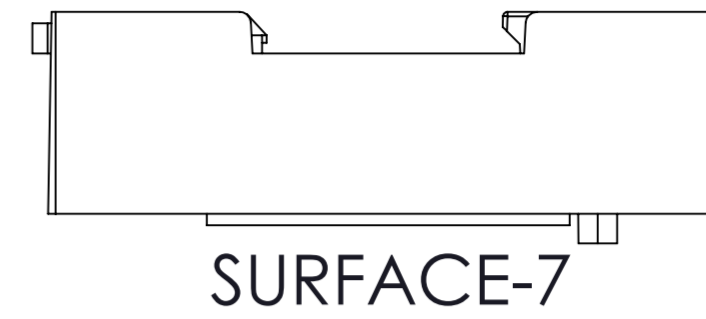


BASE: 6 SURFACE



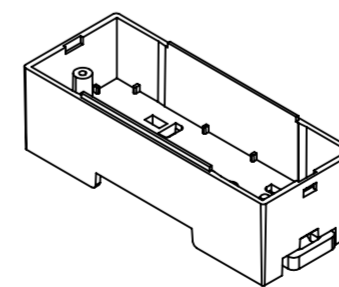
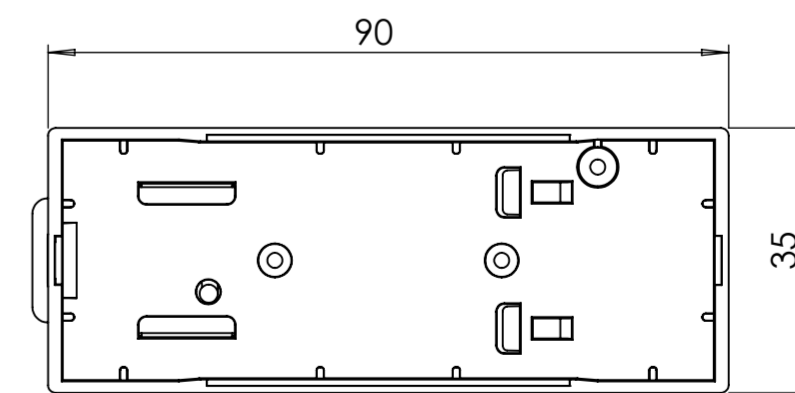
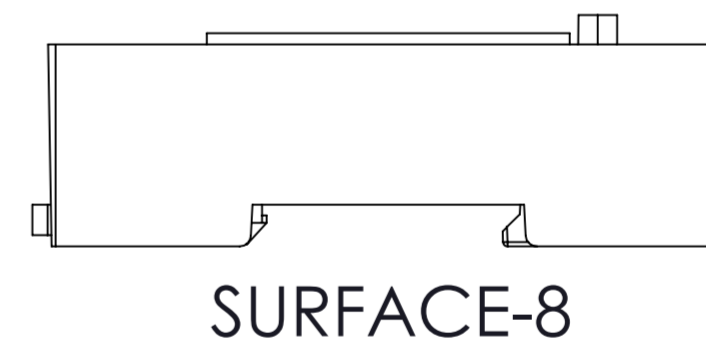
COVER: 6 SURFACE



SURFACE-9

SURFACE-11

SURFACE-10



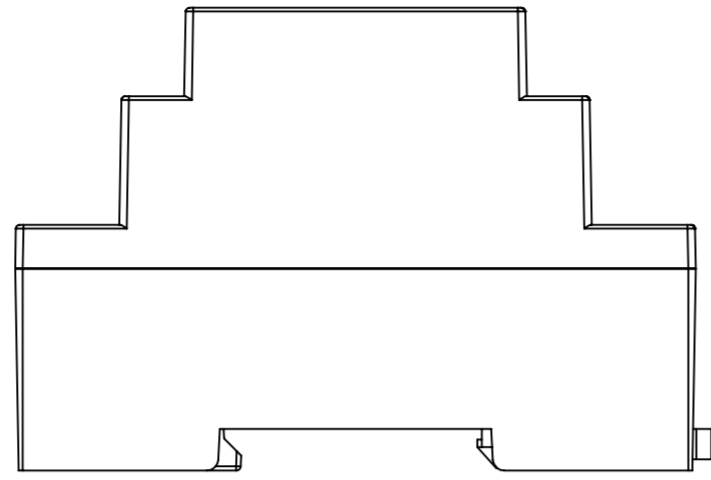
| REV. NO | DATE | REVISED BY | DESCRIPTION OF CHANGE |
|--|---------|----------------------|--|
|  ALTINKAYA Electronic Enclosures & Components | | | www.altinkaya.com |
| Customer Name: | | Customer Ref.: | |
| Altinkaya Ref.: | | Part Name: RT-1202-A | |
| DRAWN | NAME | DATE | Drawn From: |
| S. YESILOZ | | 13.07.2024 | |
| CHECKED | Y. YEL | 13.07.2024 | Weight: |
| DIMENSIONAL TOLERANCES UNLESS OTHERWISE SPECIFIED (DIN 9146) | | | |
| | 0,5-3mm | 3-6mm | 6-30mm |
| | ±0,1 | ±0,1 | ±0,2 |
| | | | ±0,3 |
| | | | ±0,5 |
| | | | m (medium) |

SCALE: 1:1

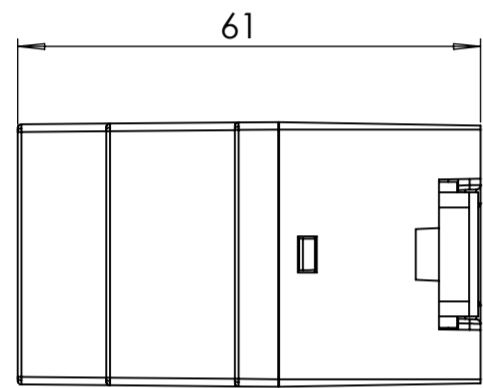
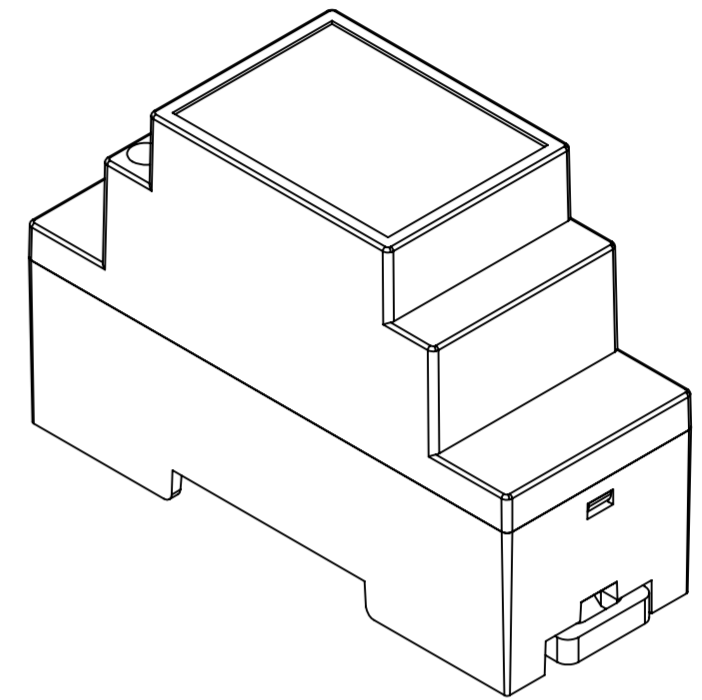
SHEET 1 OF 2

A2

RT-1202-A IF MACHINED TOGETHER



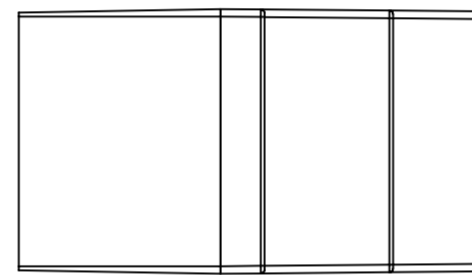
SURFACE-13



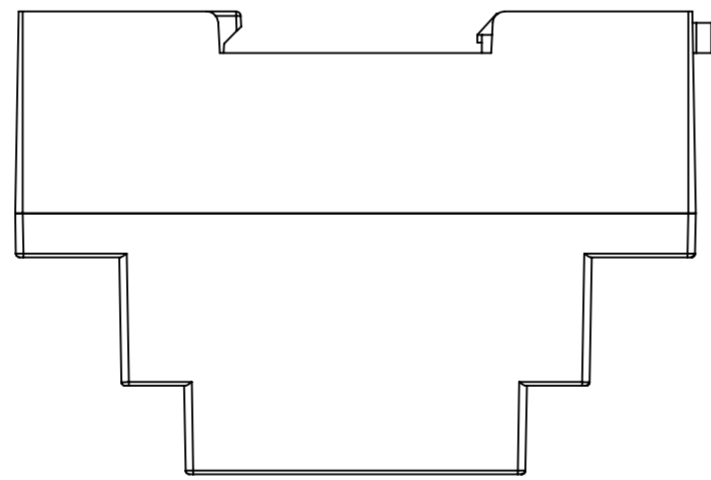
SURFACE-15



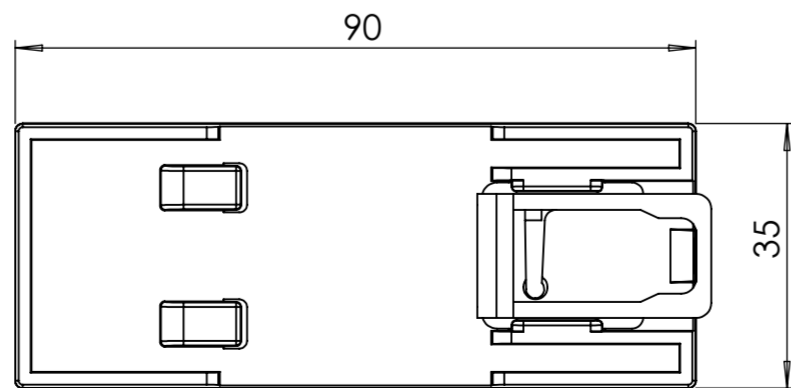
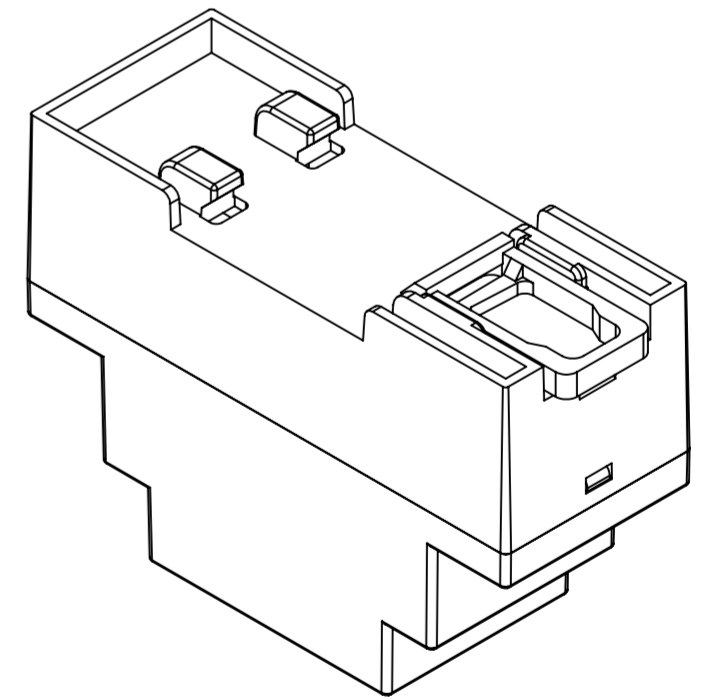
SURFACE-17



SURFACE-16



SURFACE-14



SURFACE-18

| REV. NO | DATE | REVISED BY | DESCRIPTION OF CHANGE |
|--|---------|----------------------|--|
| ALTINKAYA Electronic Enclosures & Components | | | www.altinkaya.com |
| Customer Name: | | Customer Ref.: | |
| Altinkaya Ref.: | | Part Name: RT-1202-A | |
| DRAWN | NAME | DATE | Drawn From: |
| CHECKED | Y.YEL | 13.07.2024 | Weight: |
| DIMENSIONAL TOLERANCES UNLESS OTHERWISE SPECIFIED (DIN 7148) | | | |
| | 0,5-3mm | 3-6mm | 6-30mm |
| | ±0,1 | ±0,1 | ±0,2 |
| | | | ±0,3 |
| | | | ±0,5 |
| | | | mm (medium) |

SCALE: 1:1

SHEET 2 OF 2