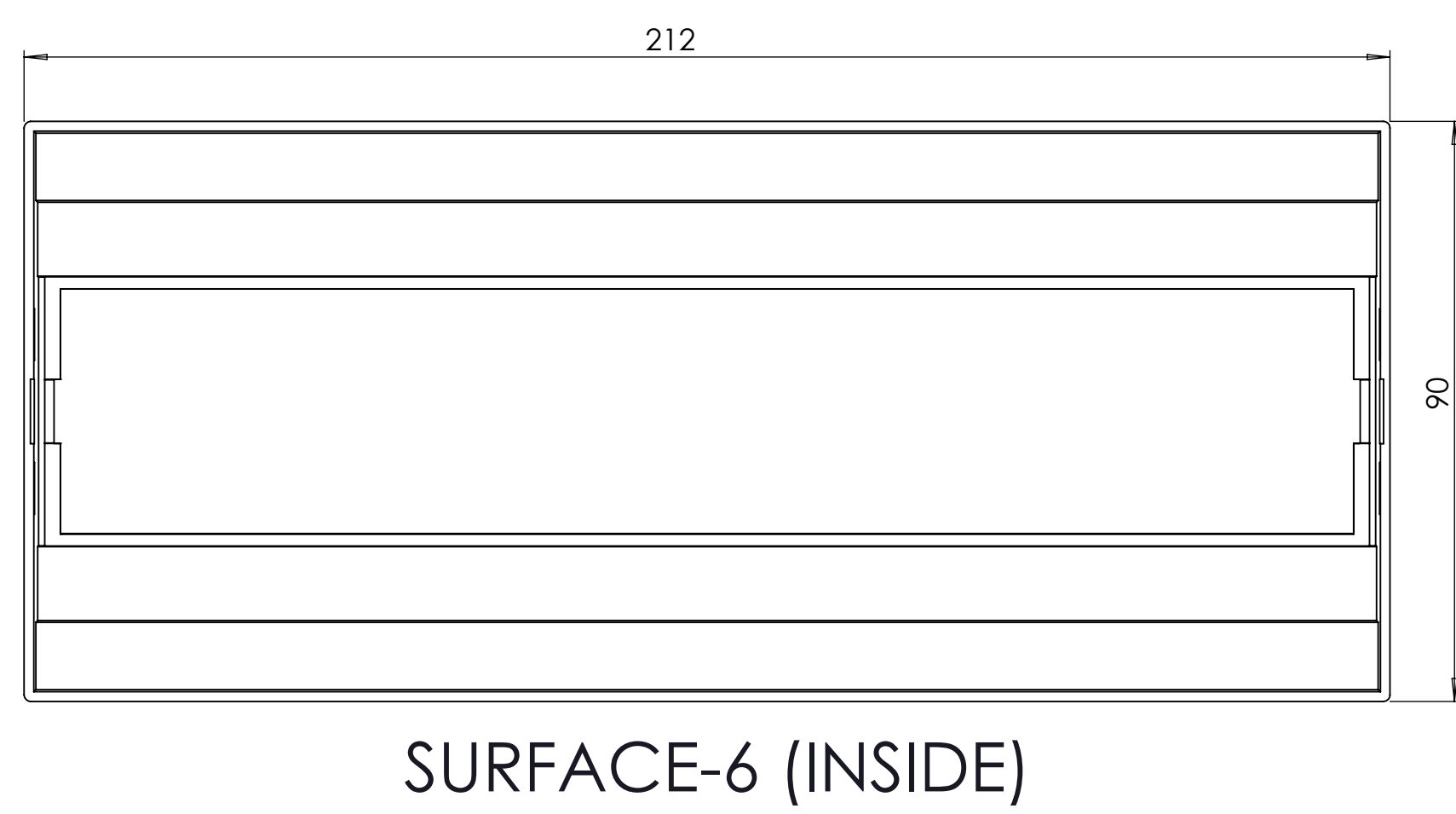
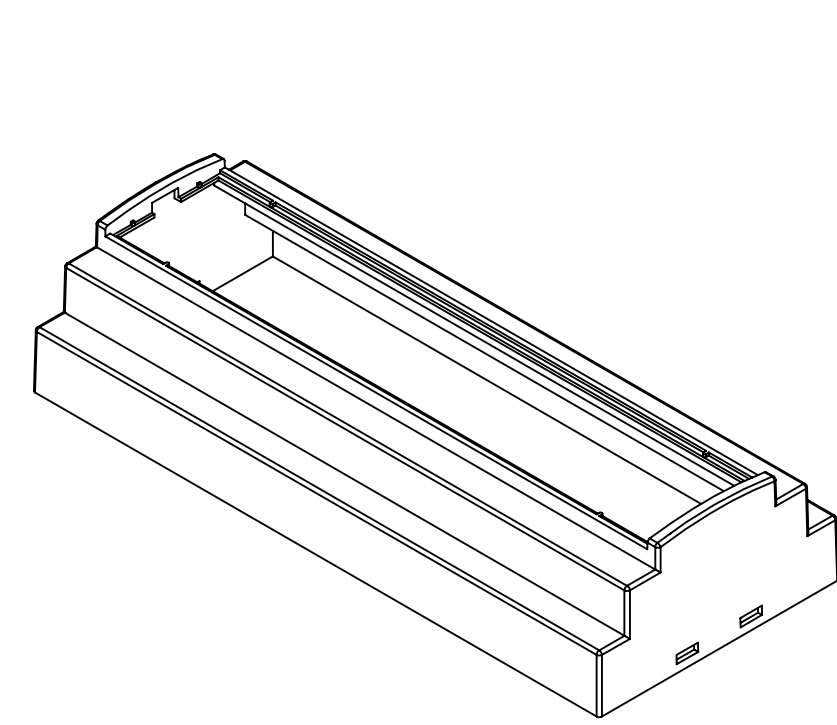
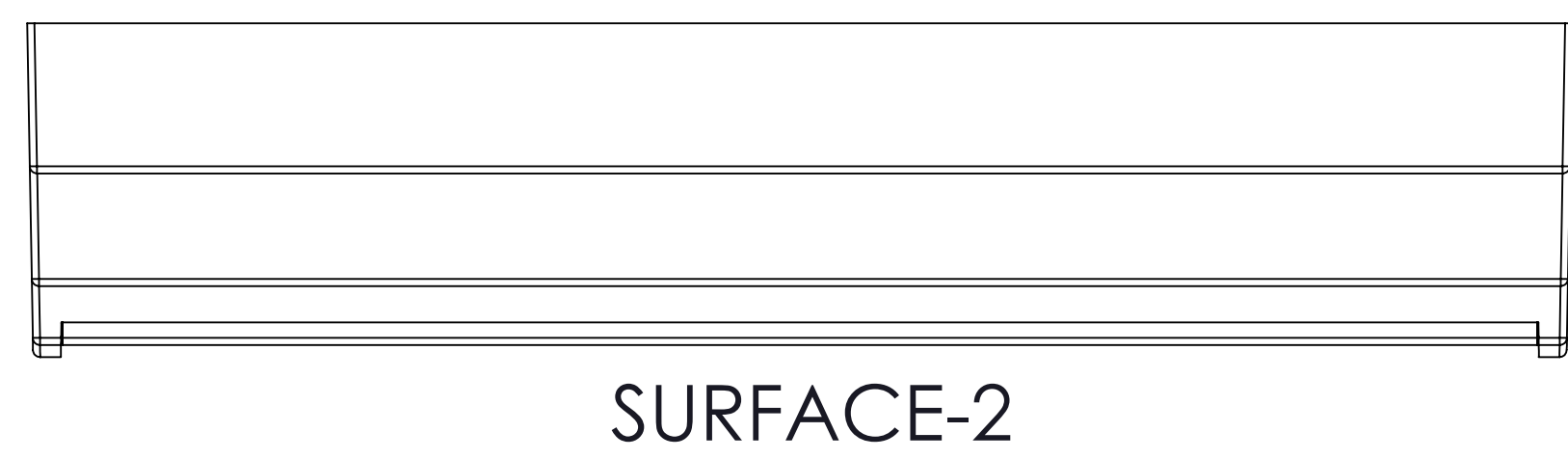
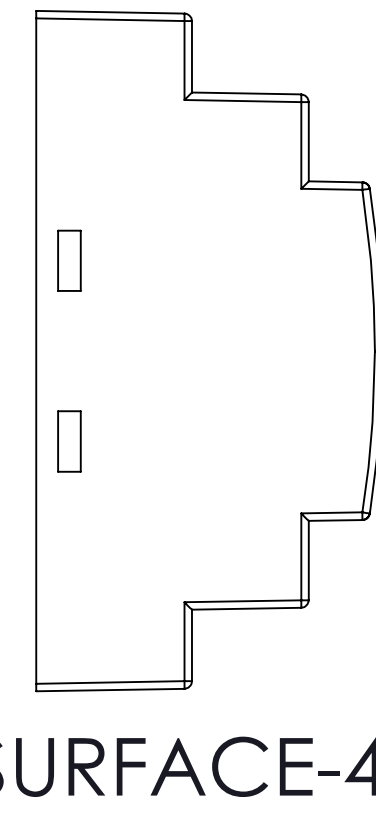
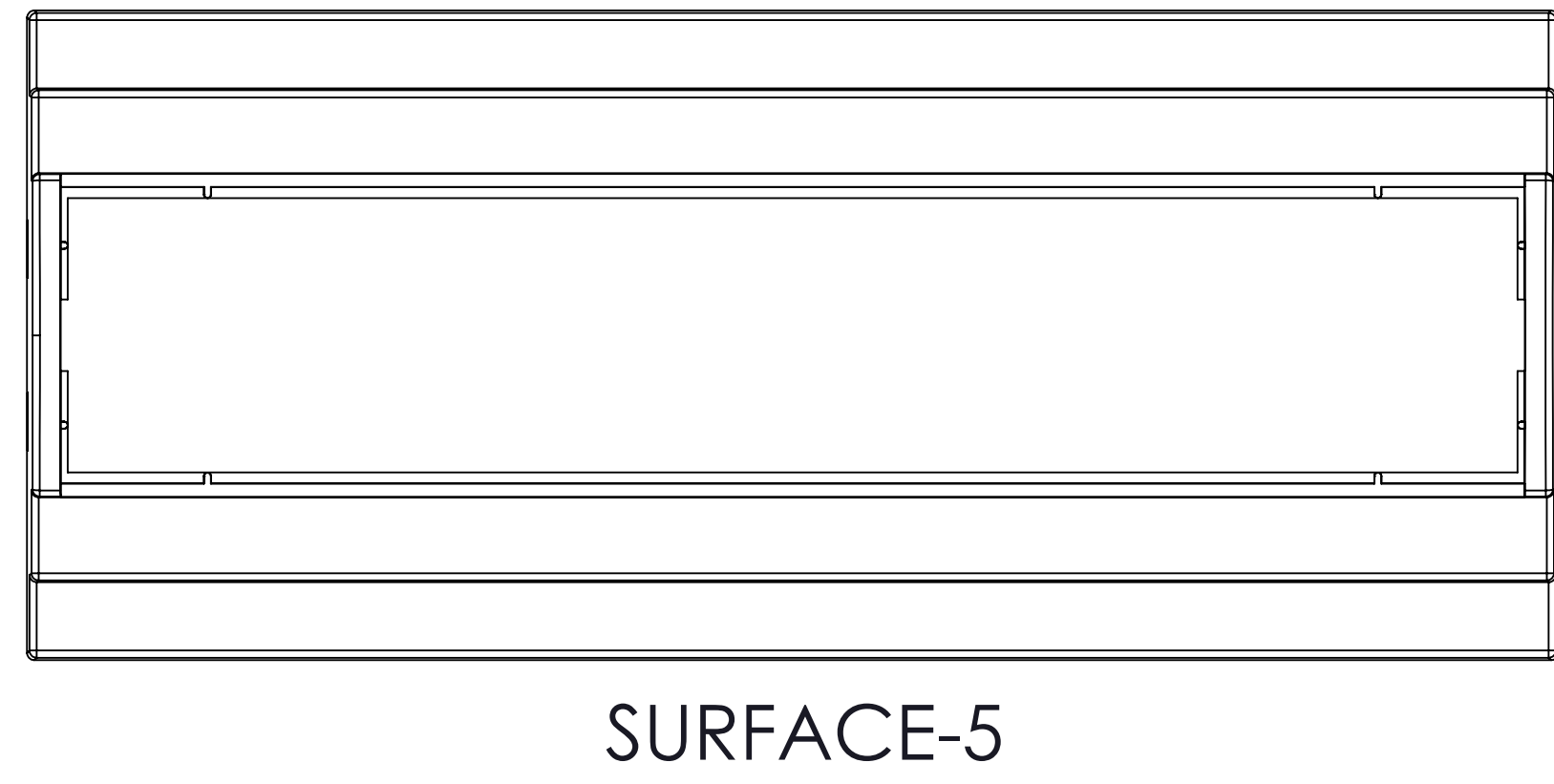
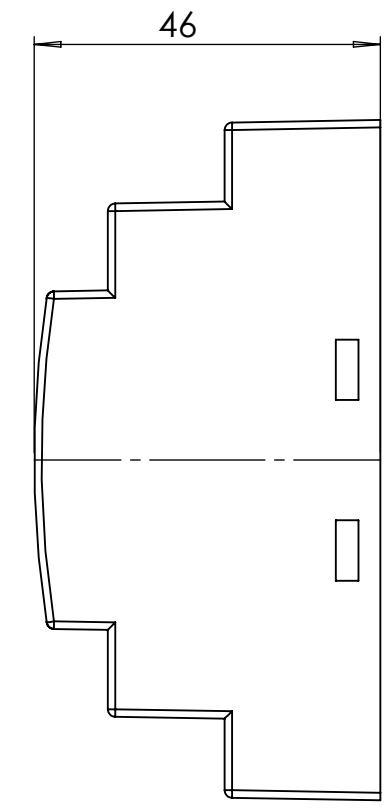
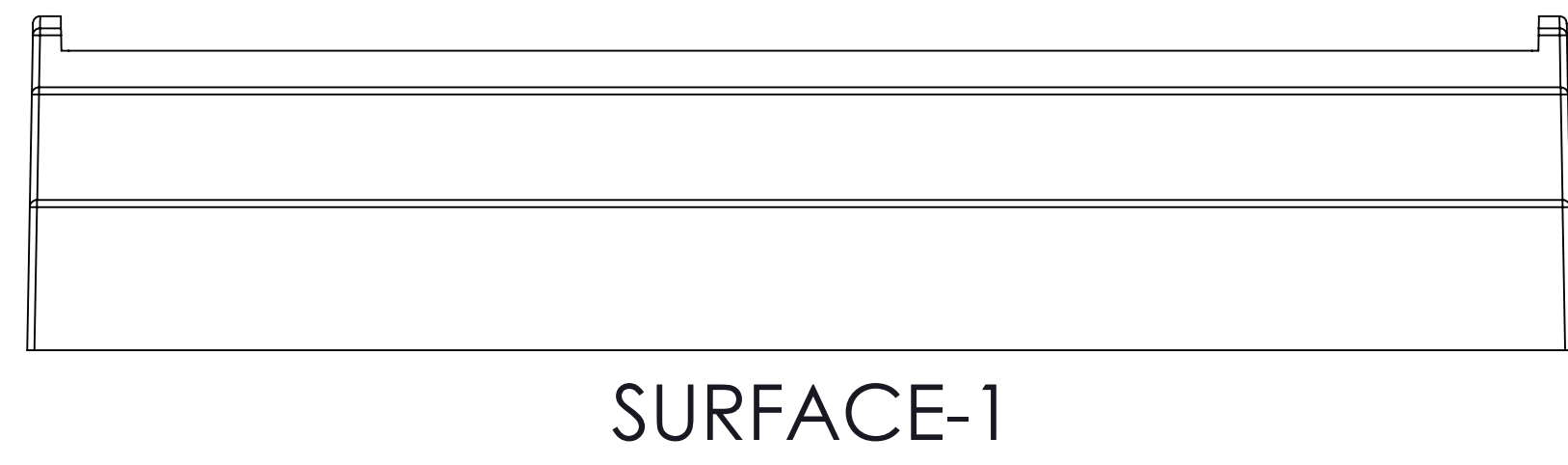
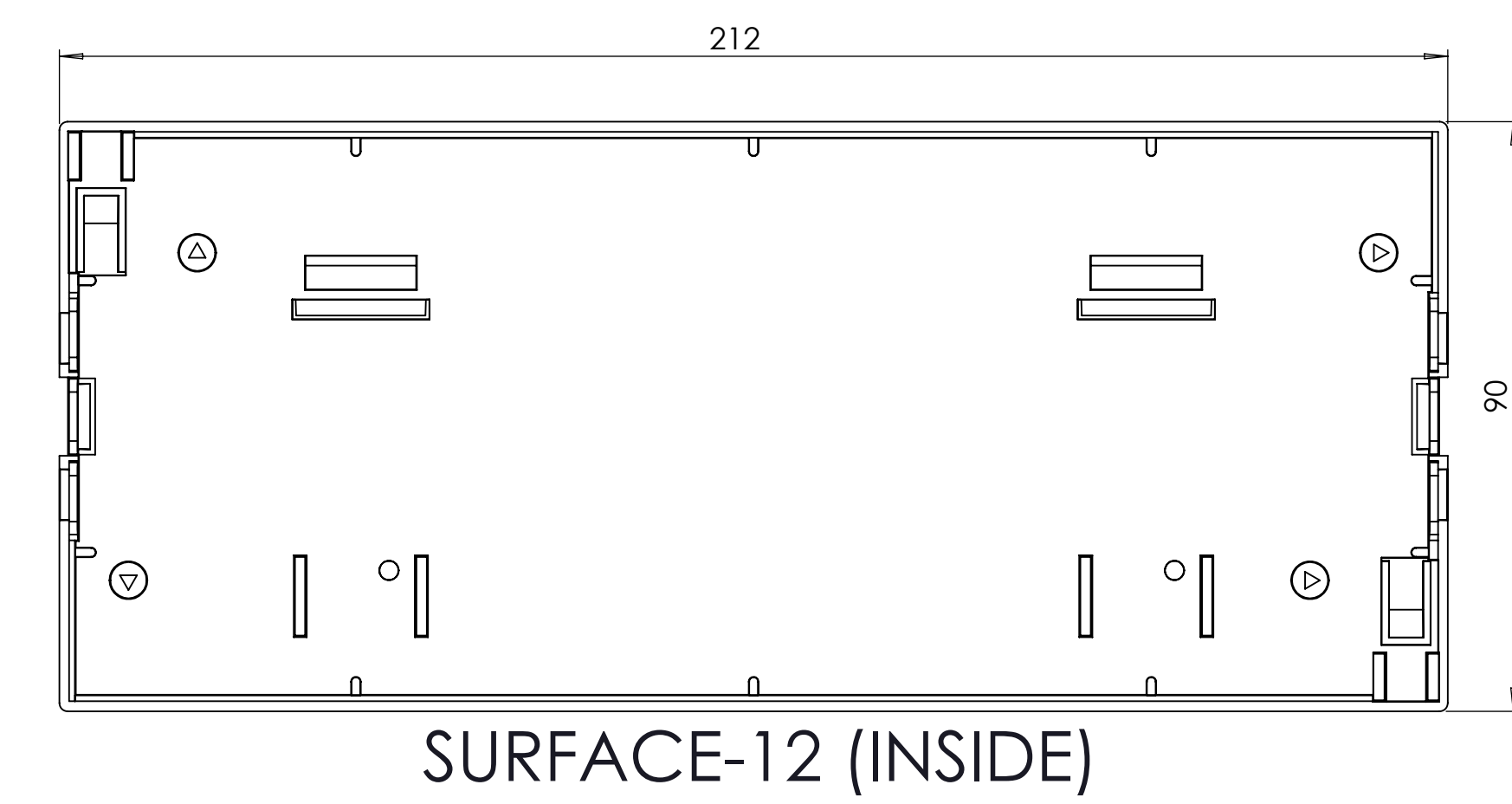
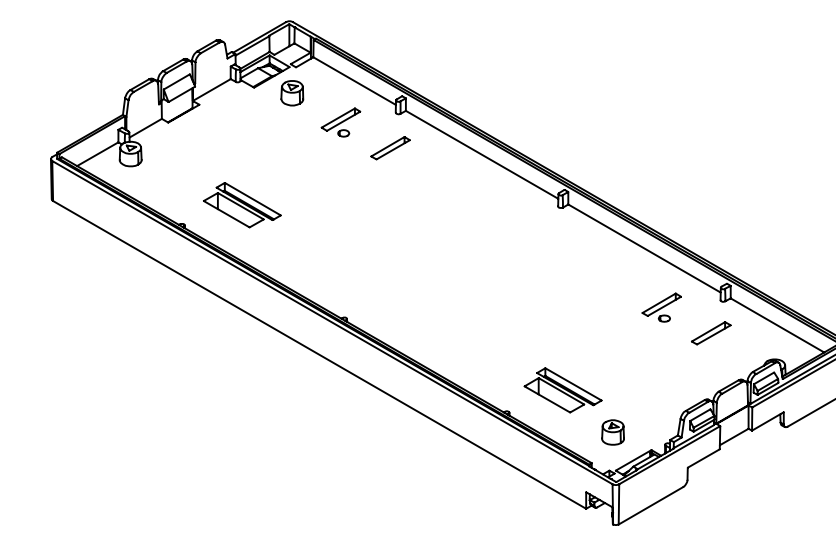
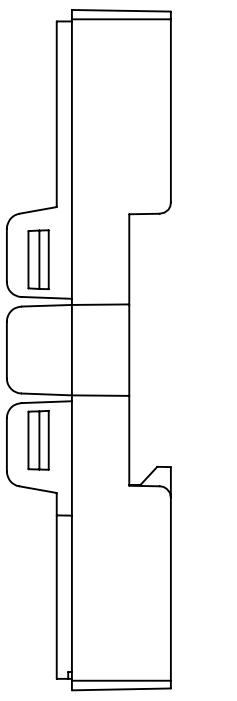
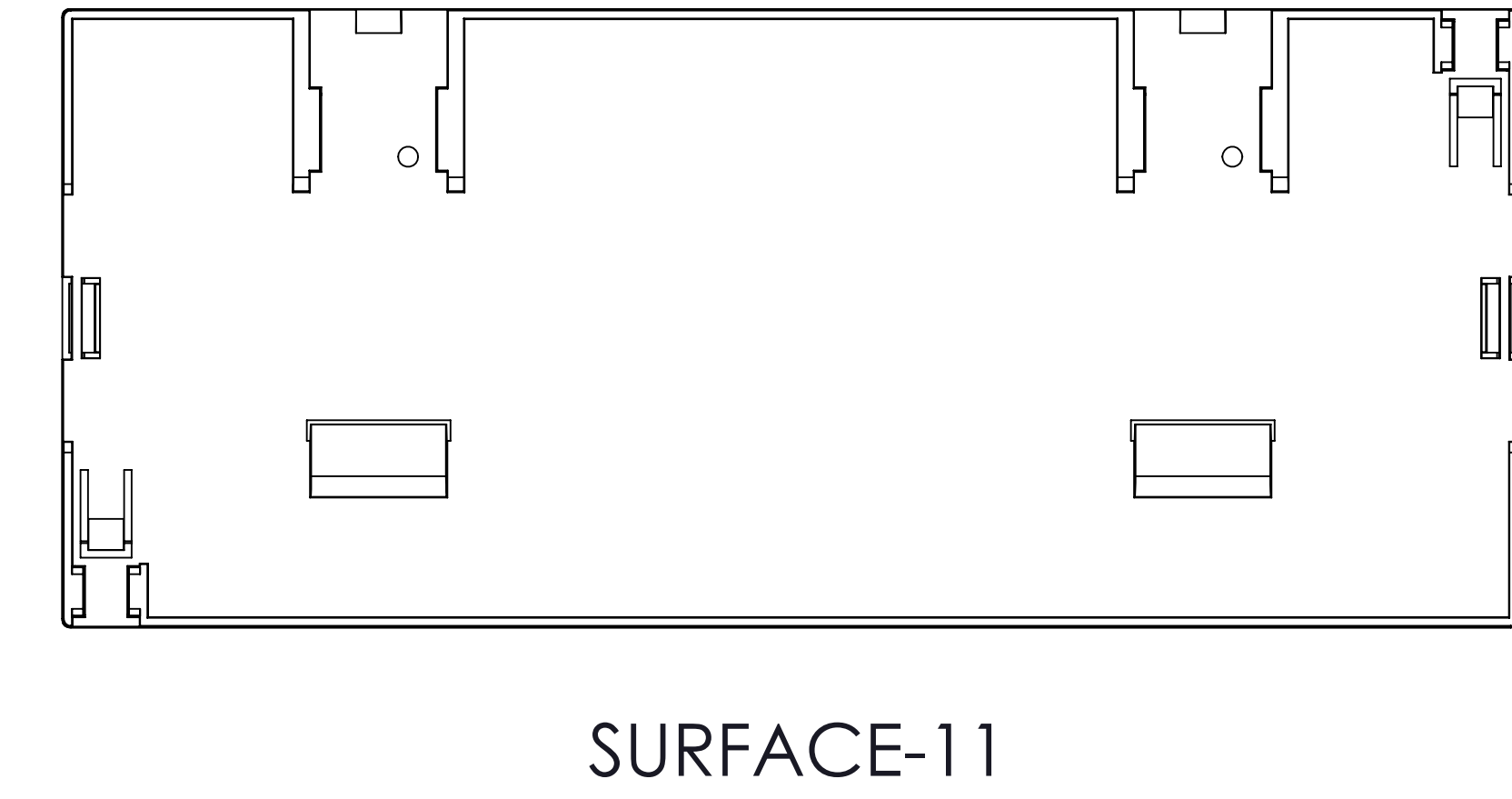
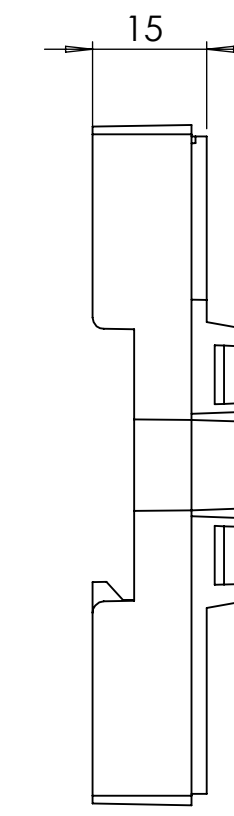


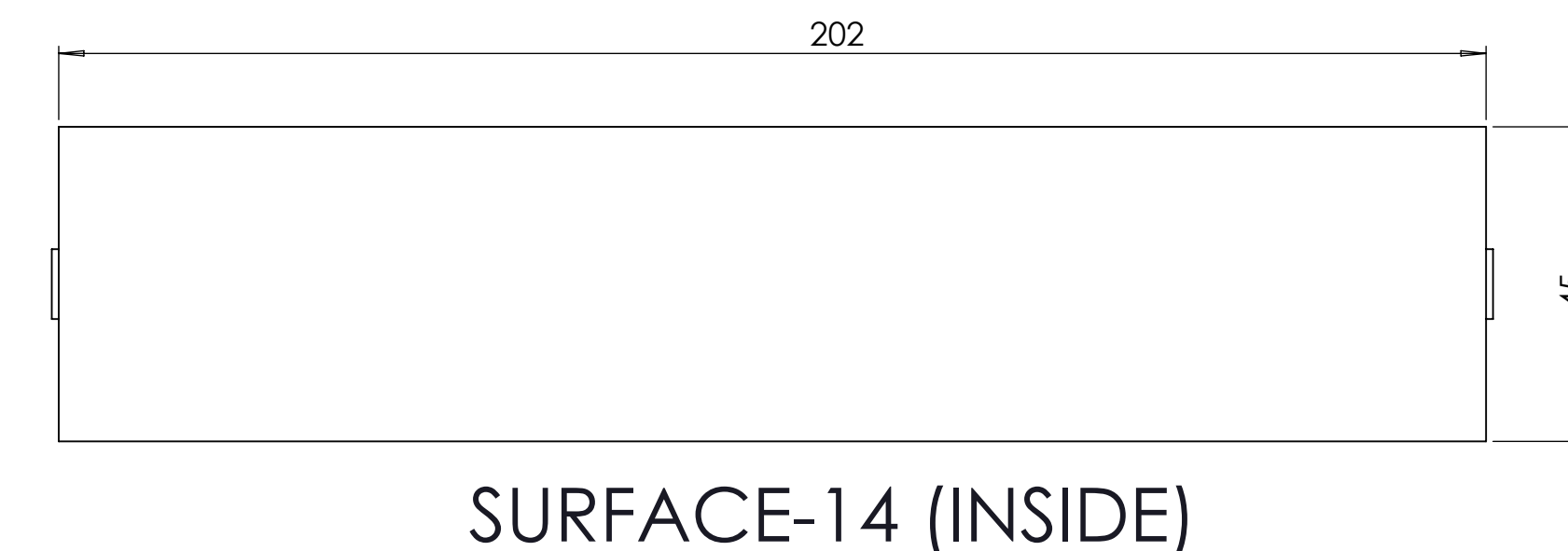
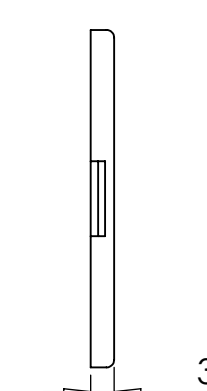
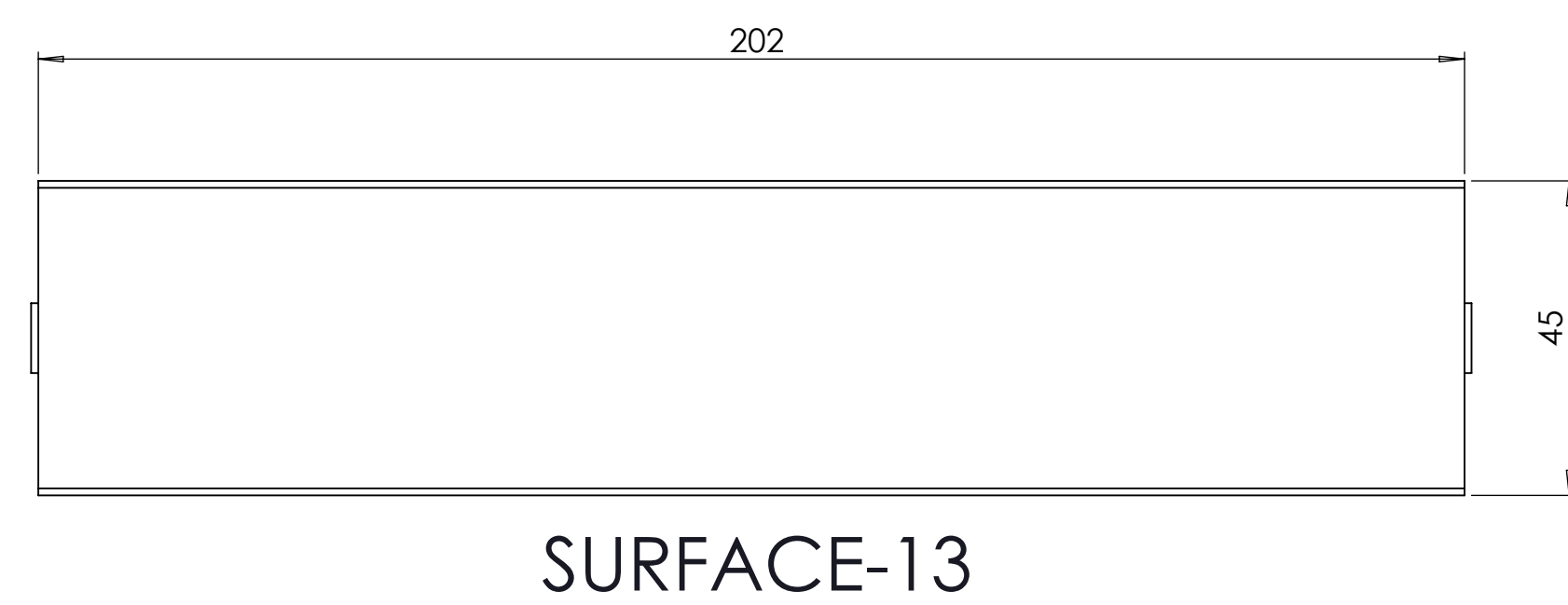
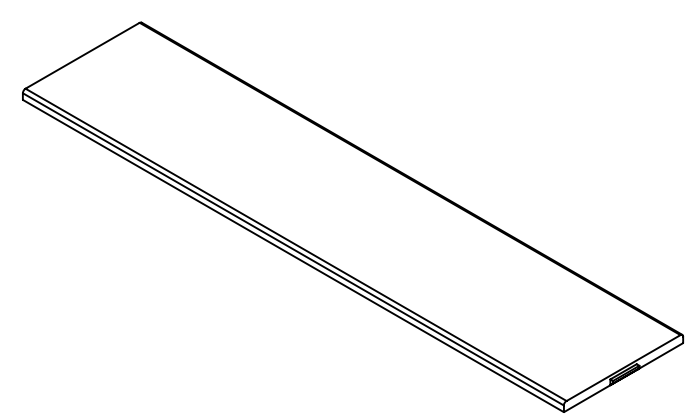
BASE: 6 SURFACE



COVER: 6 SURFACE



PANEL: 2 SURFACE



REV. NO	DATE	REVISED BY	DESCRIPTION OF CHANGE
ALTINKAYA Electronic Enclosures & Components			www.altinkaya.com
Customer Name:		Customer Ref.:	
Altinkaya Ref.:		Part Name: RT-212-A	
DRAWN	NAME	DATE	Drawn From:
Y. YESILOZ		29.07.2024	
CHECKED	Y. YEL	29.07.2024	Weight:
DIMENSIONAL TOLERANCES UNLESS OTHERWISE SPECIFIED (DIN7168)			
	0.5-3mm	3-6mm	6-30mm
	±0.1	±0.1	±0.2
			±0.3
			±0.5
			m (Medium)
SCALE 1:1			SHEET 1 OF 2
UNIT: mm			A0

