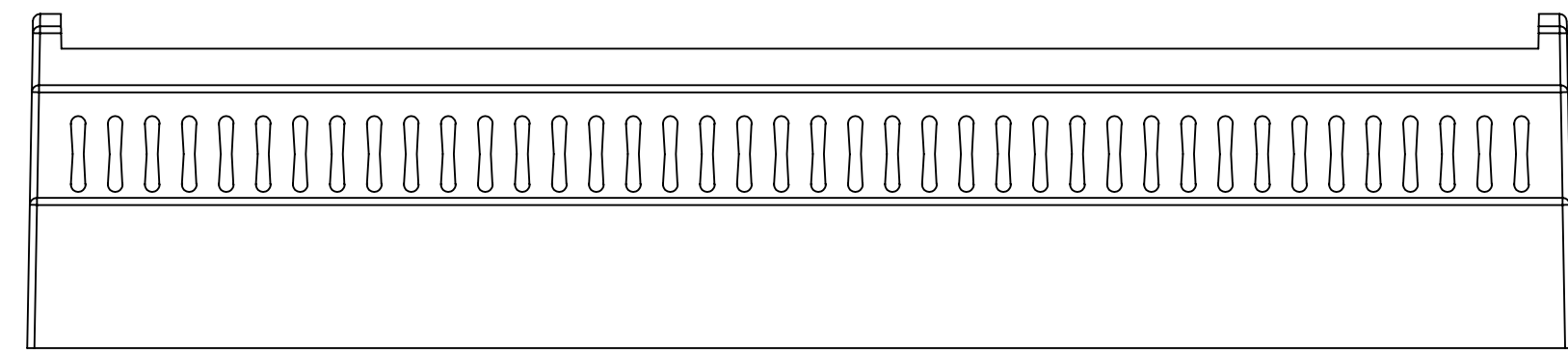
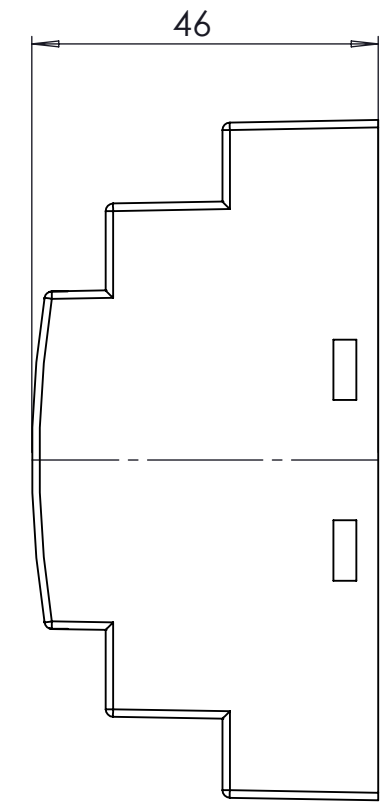


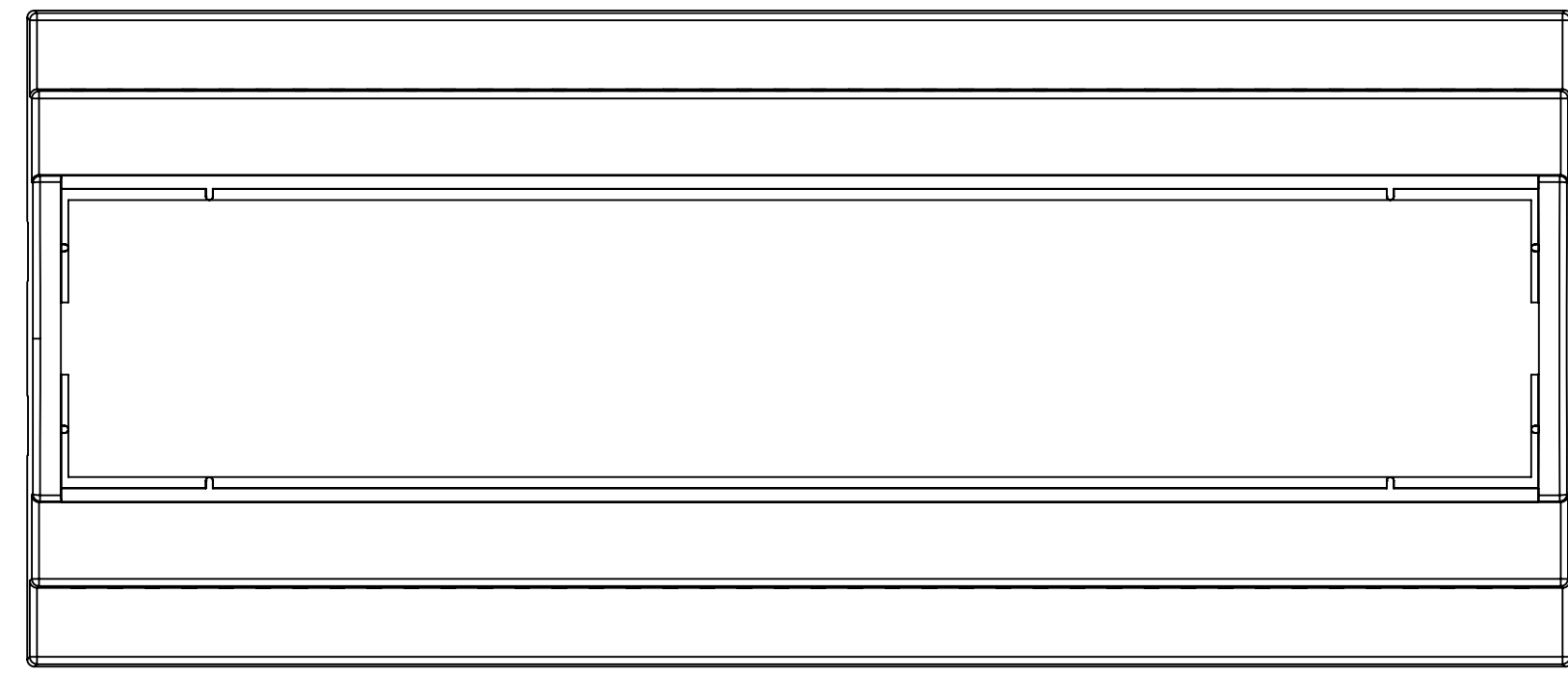
BASE: 6 SURFACE



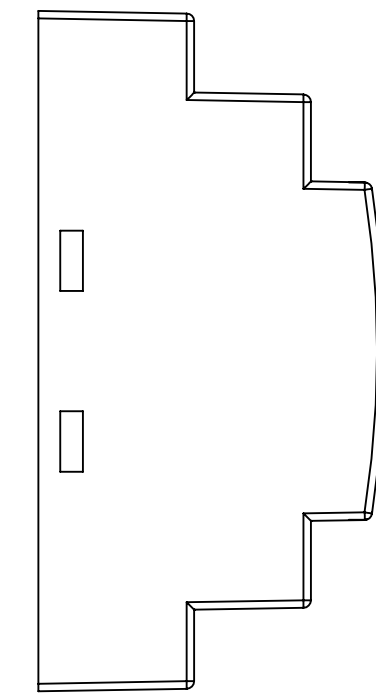
SURFACE-1



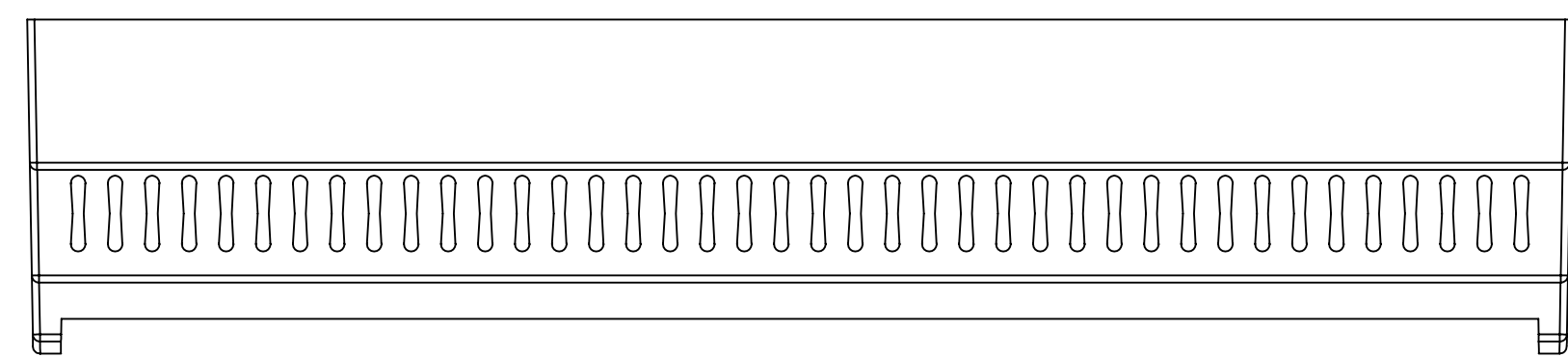
SURFACE-3



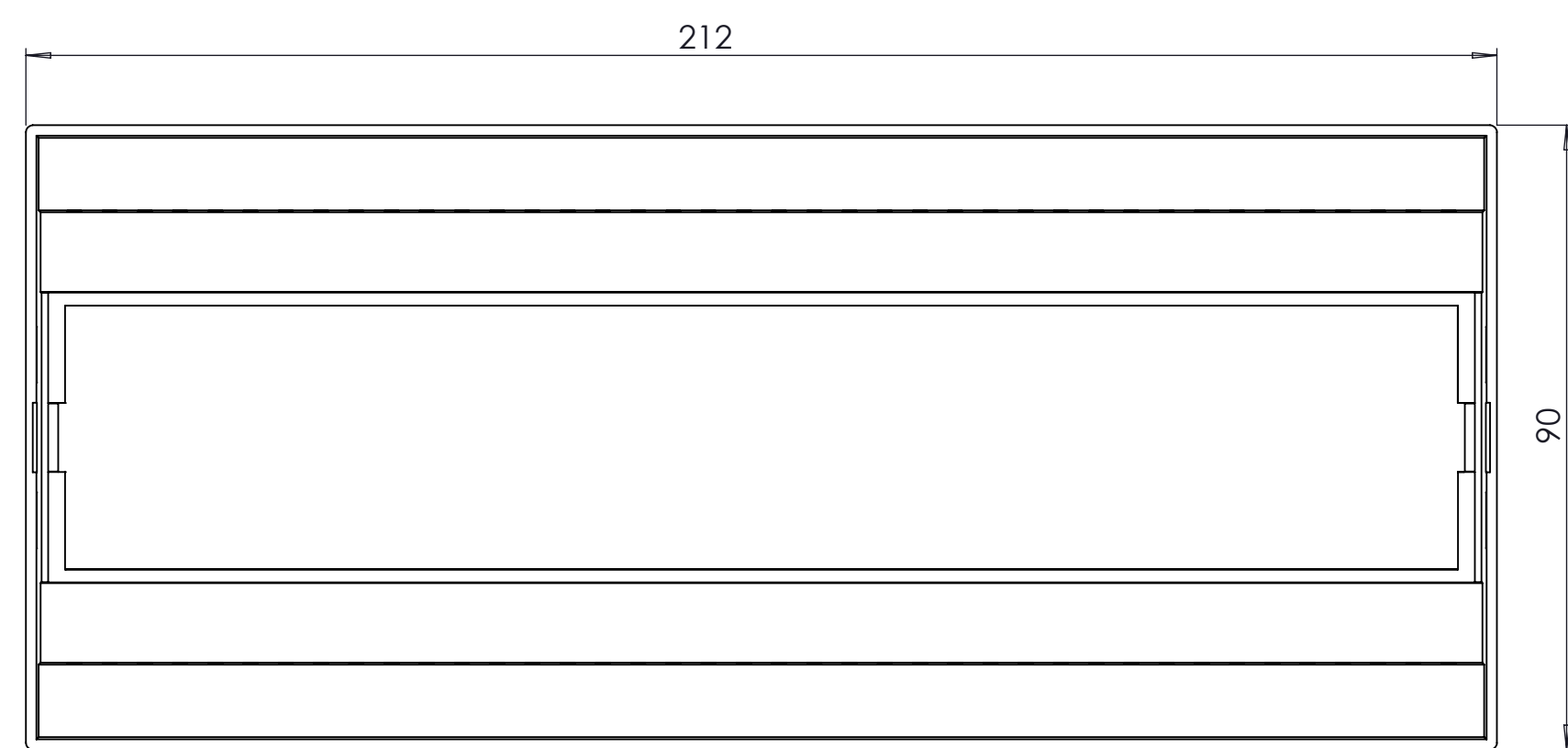
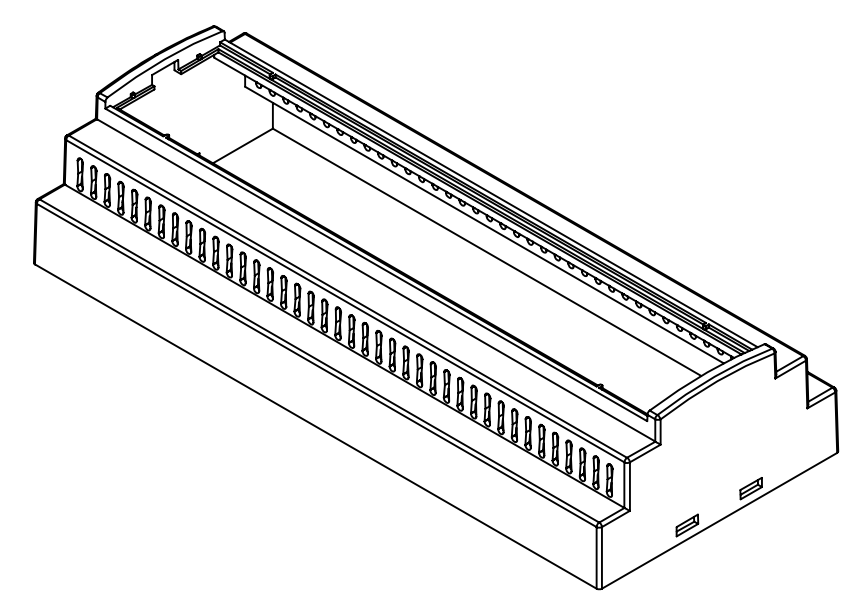
SURFACE-5



SURFACE-4

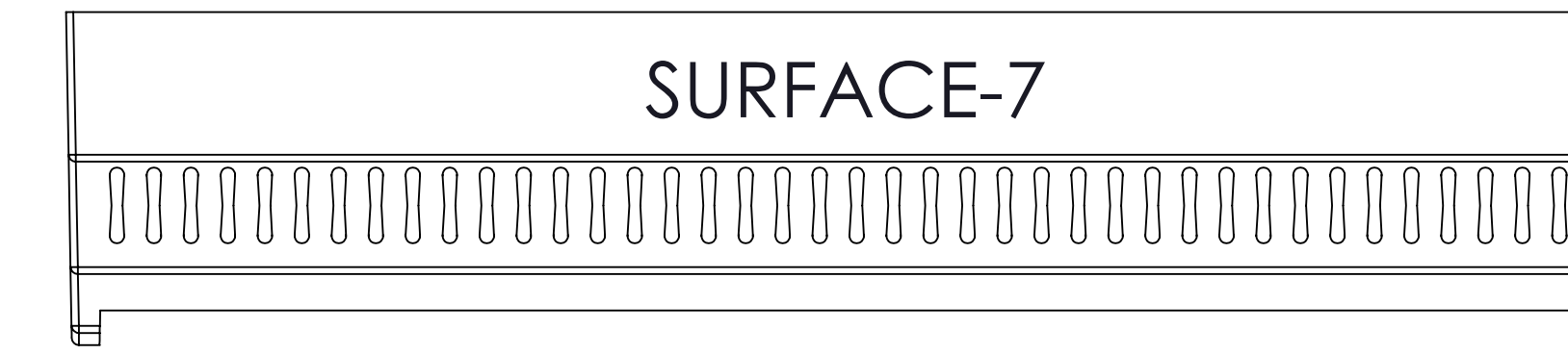


SURFACE-2

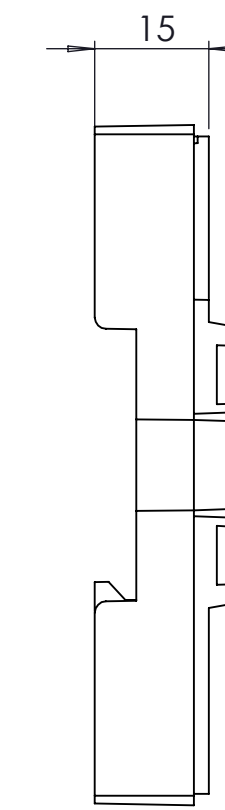


SURFACE-6 (INSIDE)

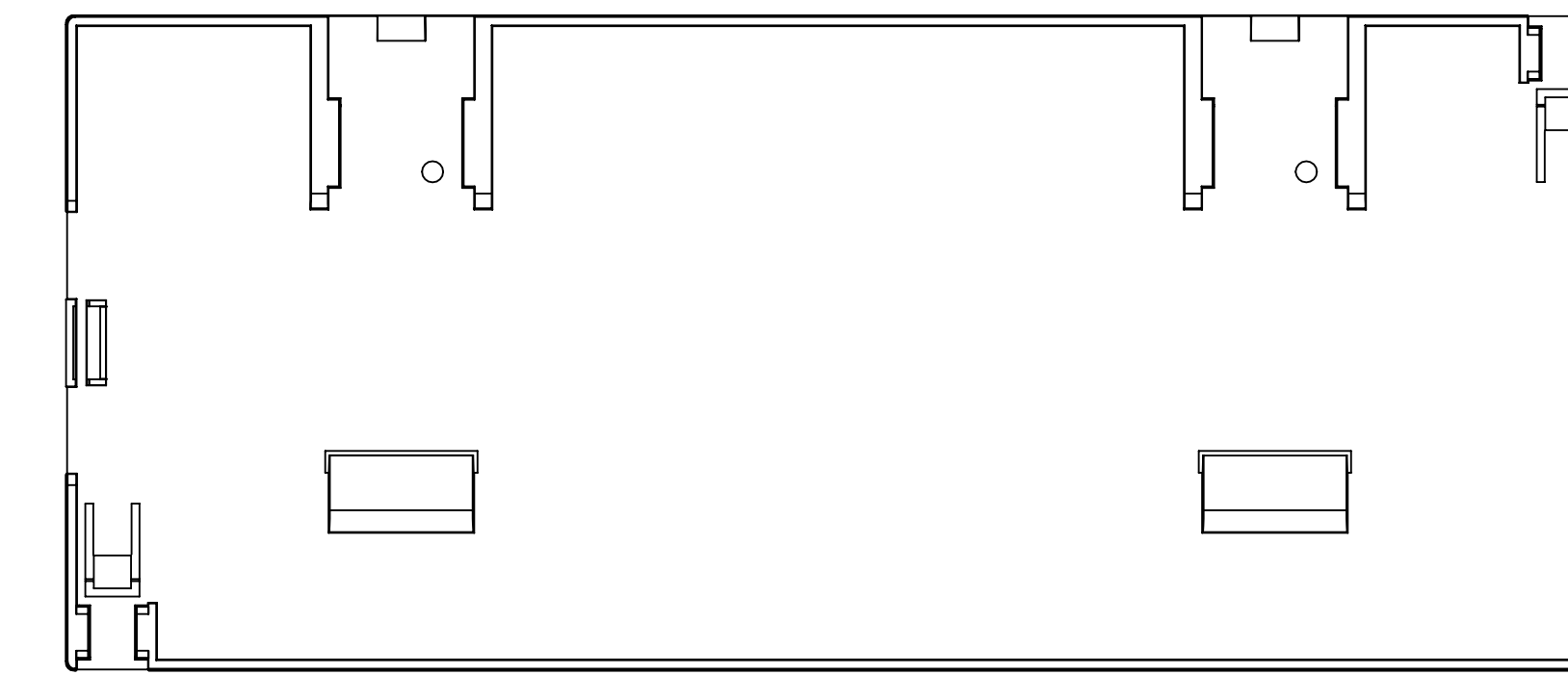
COVER: 6 SURFACE



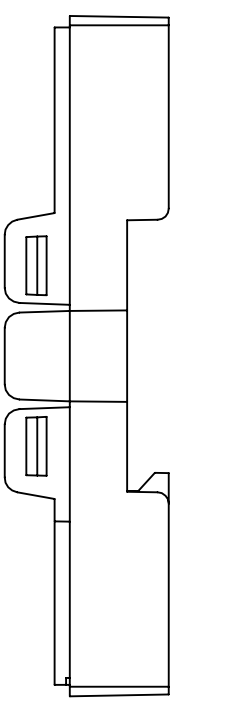
SURFACE-7



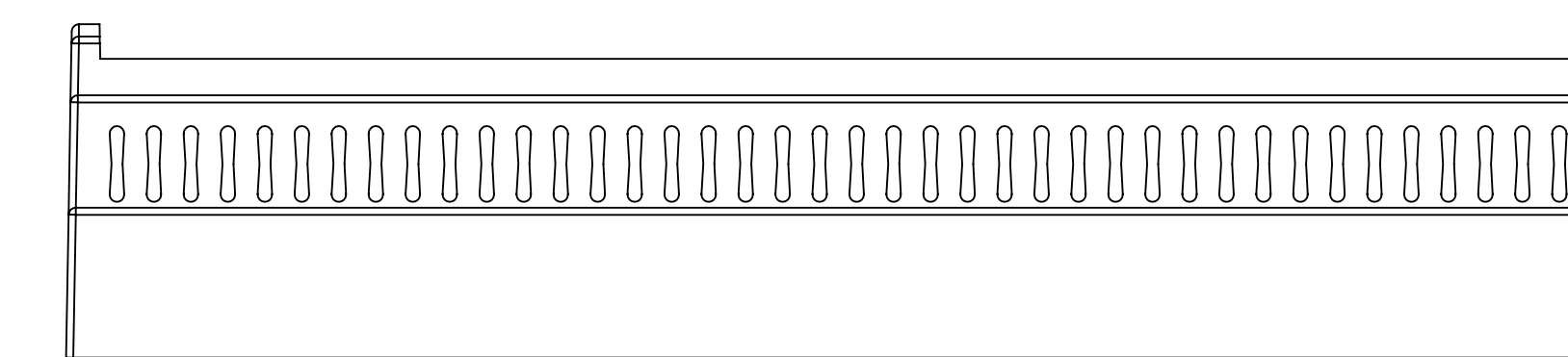
SURFACE-9



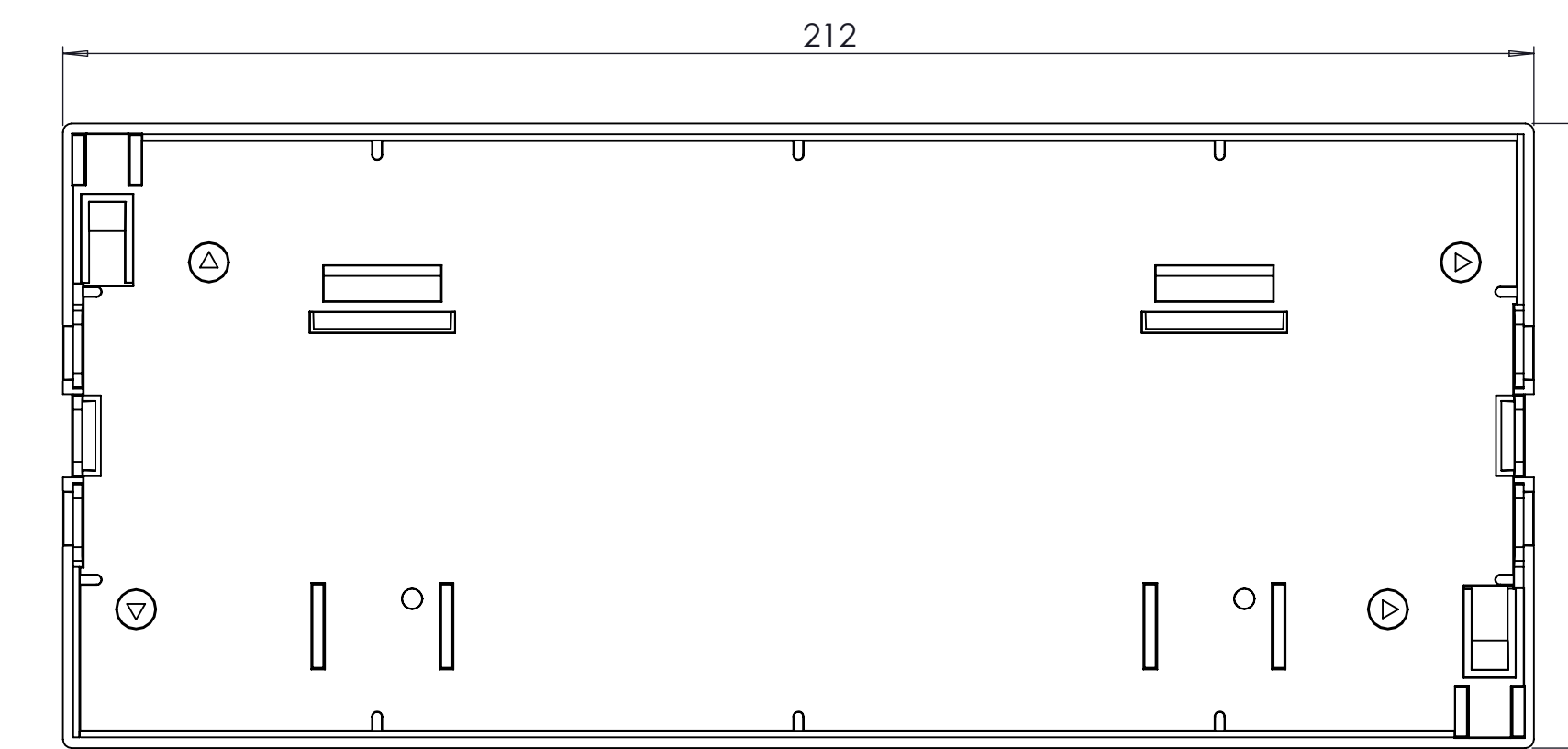
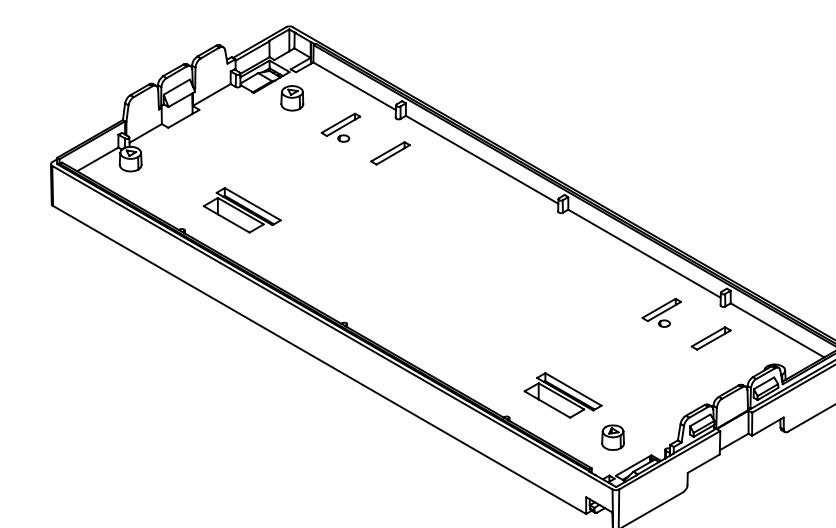
SURFACE-11



SURFACE-10

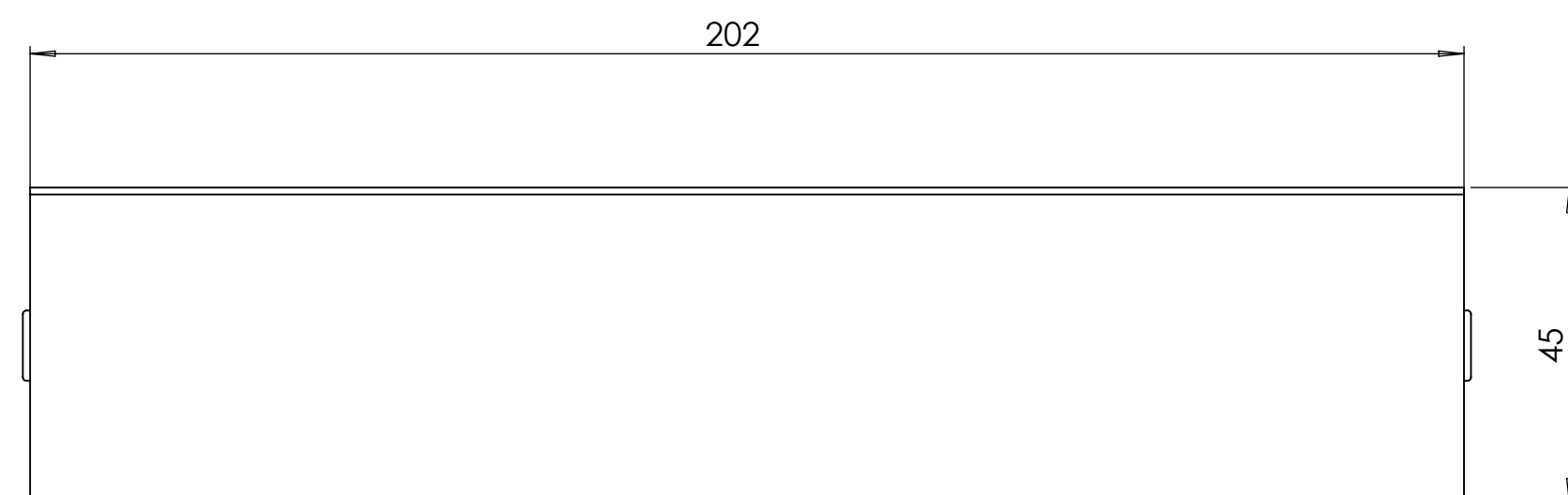
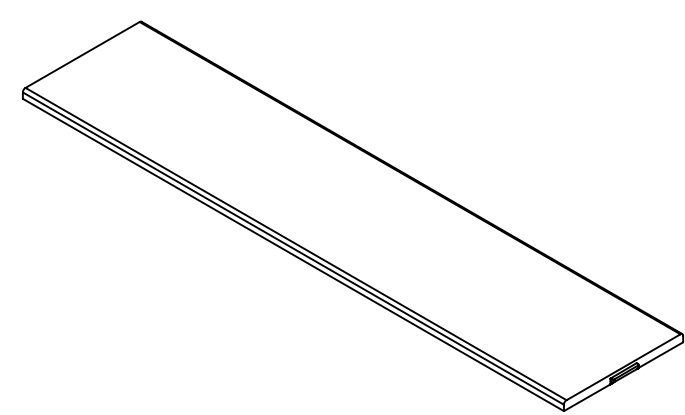


SURFACE-8

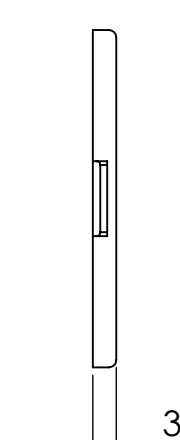


SURFACE-12 (INSIDE)

PANEL: 2 SURFACE



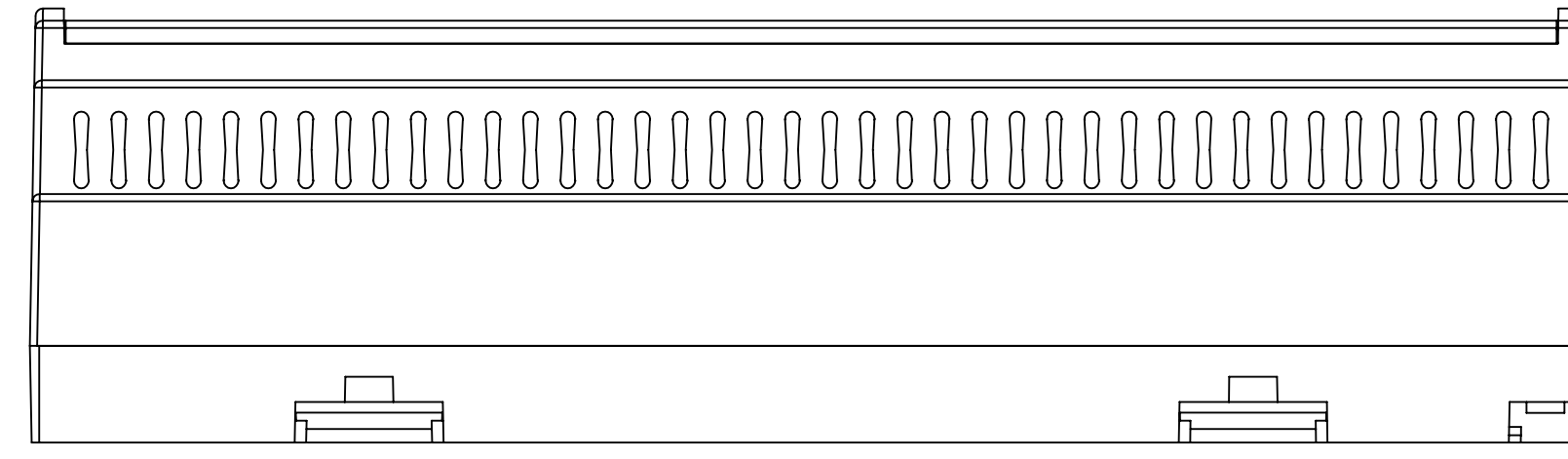
SURFACE-13



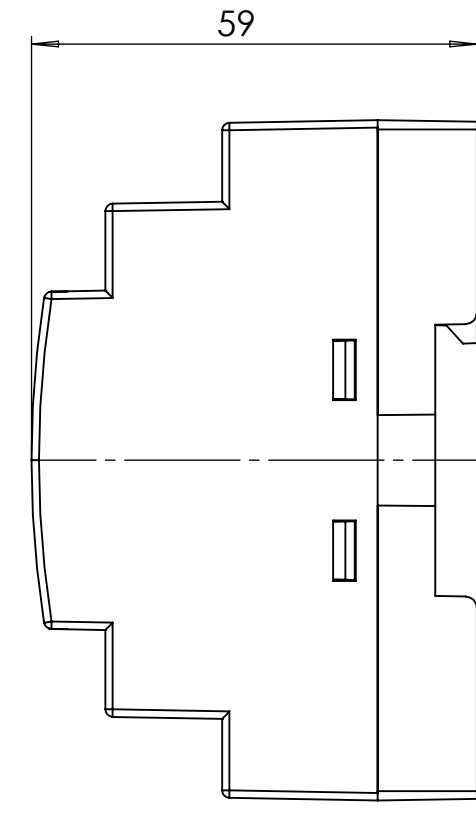
SURFACE-14 (INSIDE)

| REV. NO | DATE | REVISED BY | DESCRIPTION OF CHANGE |
|---|-------|---------------------|--|
| ALTINKAYA Electronic Enclosures & Components | | | www.altinkaya.com |
| Customer Name: | | Customer Ref.: | |
| Altinkaya Ref.: | | Part Name: RT-212-8 | |
| DRAWN | NAME | DATE | Drawn From: |
| CHECKED | Y.YEL | 29.07.2024 | Material: |
| DIMENSIONAL TOLERANCES UNLESS OTHERWISE SPECIFIED (DIN7168) | | 0.5-3mm | 3-6mm |
| | | ±0.1 | ±0.1 |
| | | 6-30mm | ±0.2 |
| | | 30-120mm | ±0.3 |
| | | 120-400mm | ±0.5 |
| | | Dimension (mm) | ±0.5 |
| | | | m (Medium) |
| | | SCALE 1:1 | SHEET 1 OF 2 |
| | | UNIT: mm | A0 |

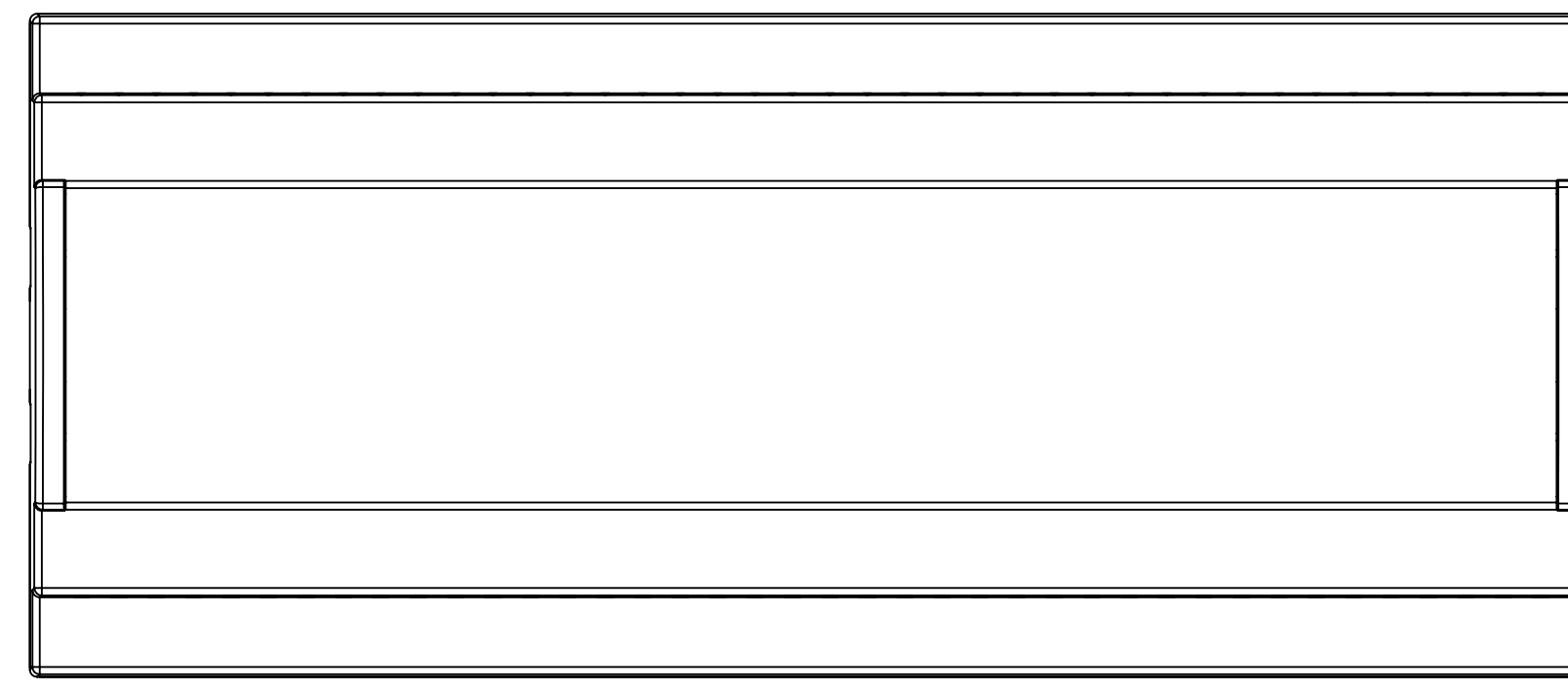
RT-212-B IF MACHINED TOGETHER



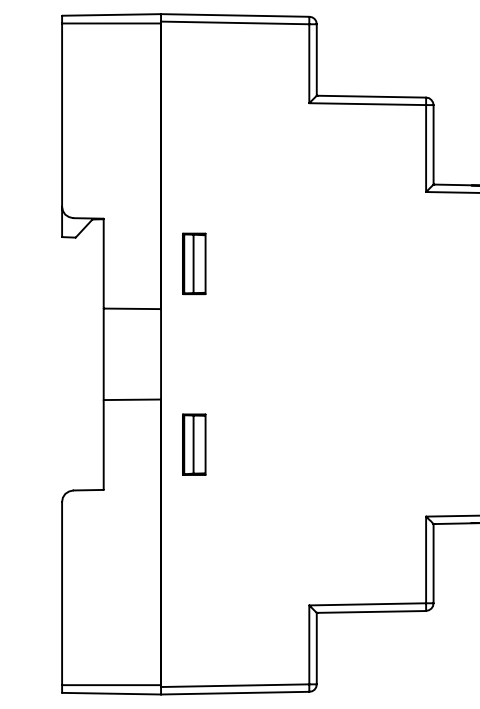
SURFACE-15



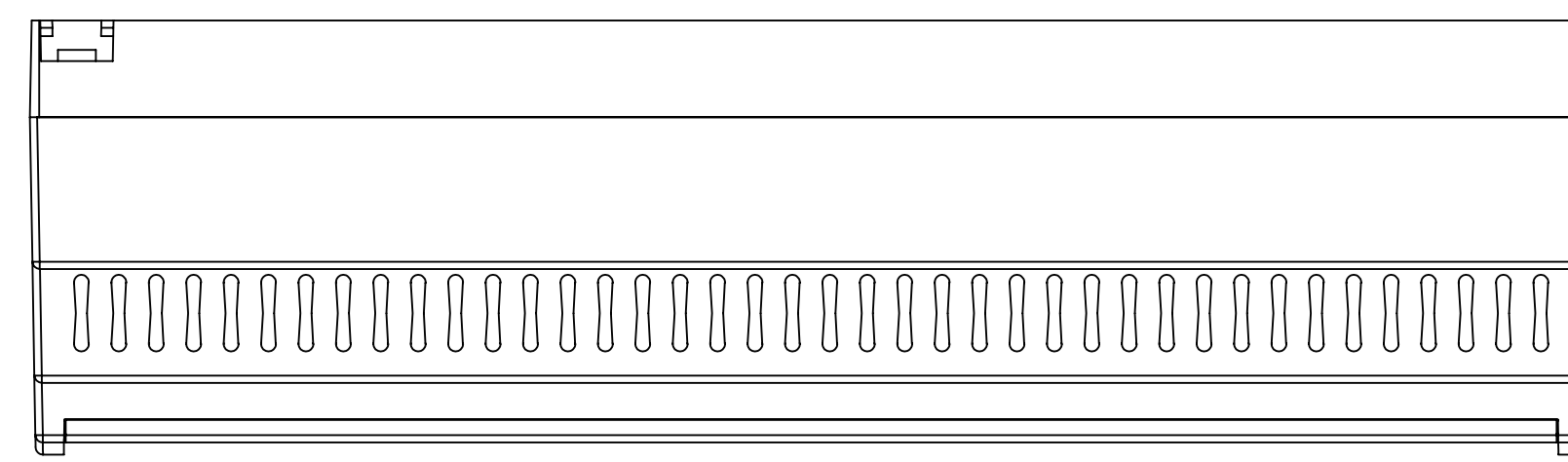
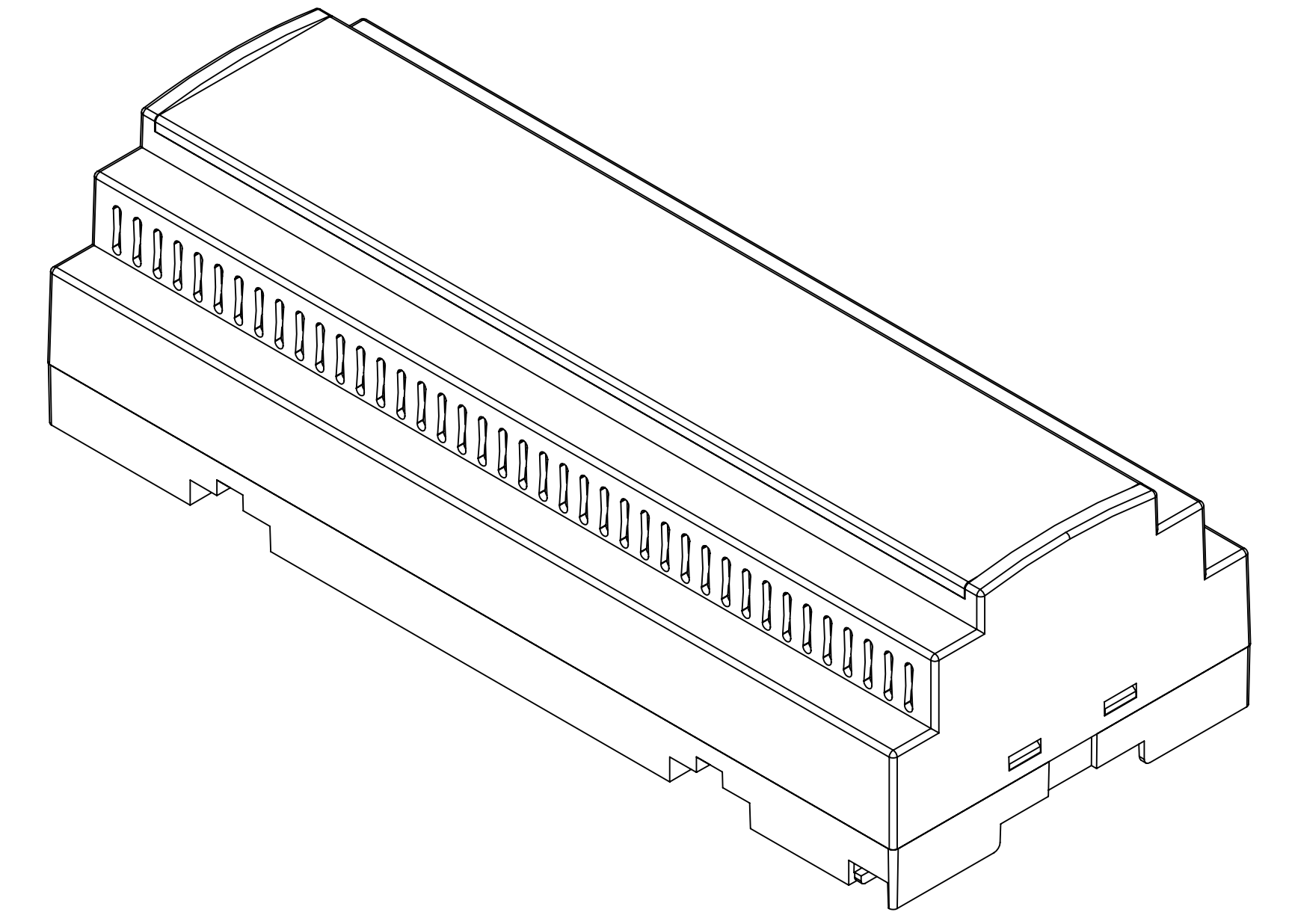
SURFACE-17



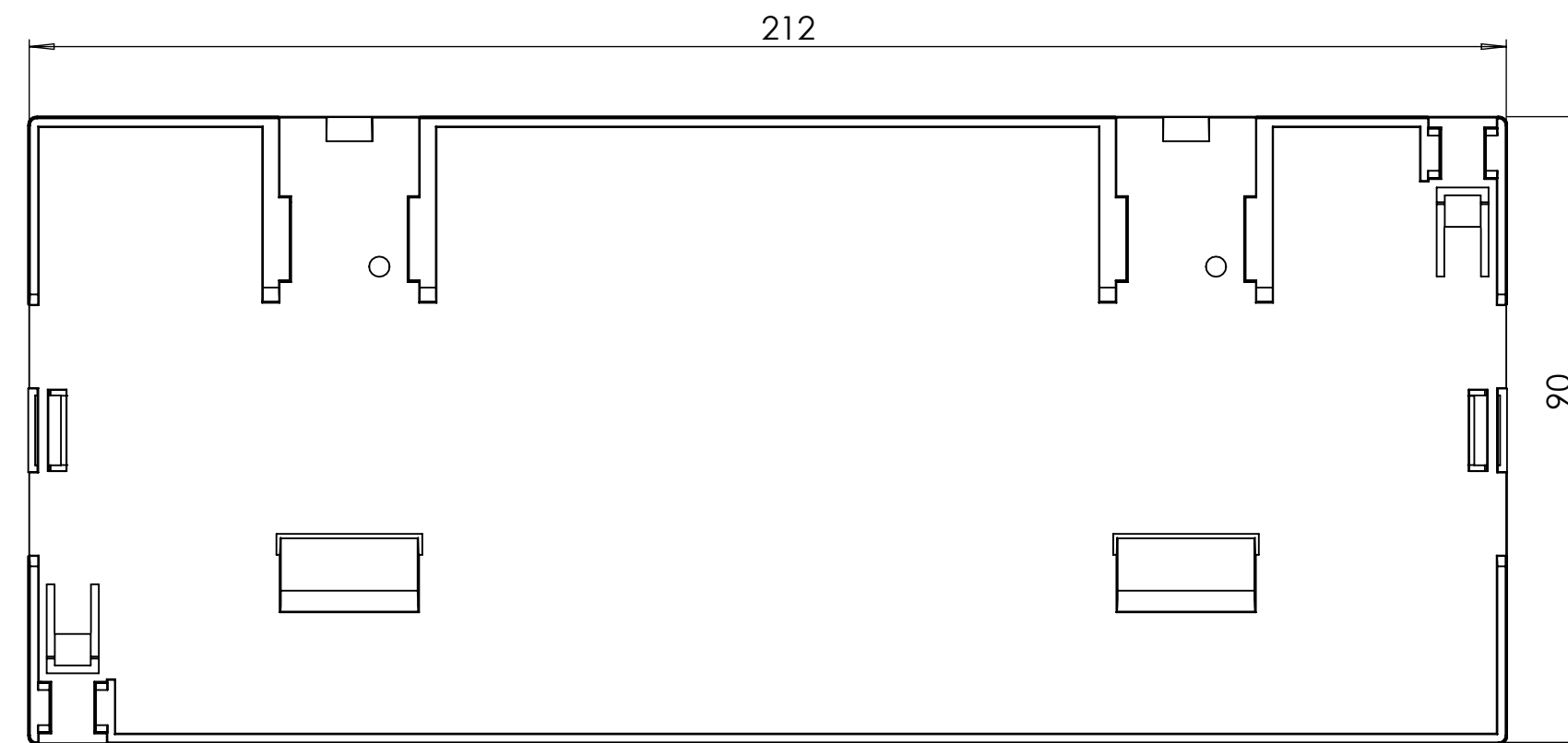
SURFACE-19



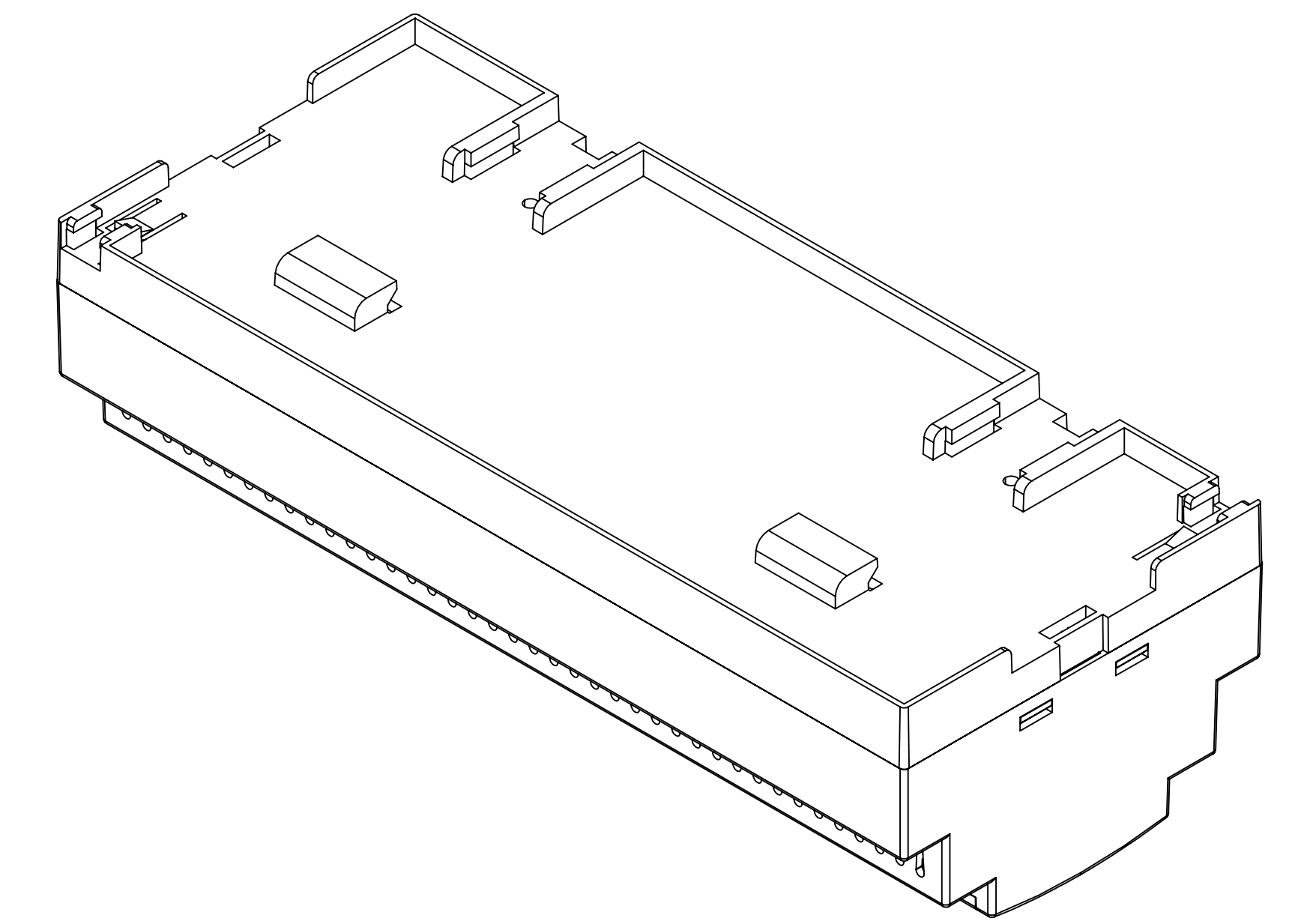
SURFACE-18




SURFACE-16



SURFACE-20



| REV. NO | DATE | REVISED BY | DESCRIPTION OF CHANGE | | | | | |
|--|-----------|---------------------|--|--------------|----------|-----------|----------------|----|
|  ALTINKAYA Electronic Enclosures & Components | | | www.altinkaya.com | | | | | |
| Customer Name: | | Customer Ref. : | | | | | | |
| Altinkaya Ref. : | | Part Name: RT-212-B | | | | | | |
| DRAWN | NAME | DATE | Drawn From : | SCALE 1:1 | | | | |
| | S.YESILOZ | 29.07.2024 | Material : | SHEET 2 OF 2 | | | | |
| CHECKED | Y.YEL | 29.07.2024 | Weight : | UNIT: mm | | | | |
| DIMENSIONAL TOLERANCES UNLESS OTHERWISE SPECIFIED (DIN7168) | | 0.5-3mm | 3-6mm | 6-30mm | 30-120mm | 120-400mm | Dimension (mm) | A0 |
| | | ±0.1 | ±0.1 | ±0.2 | ±0.3 | ±0.5 | m (Medium) | 1 |