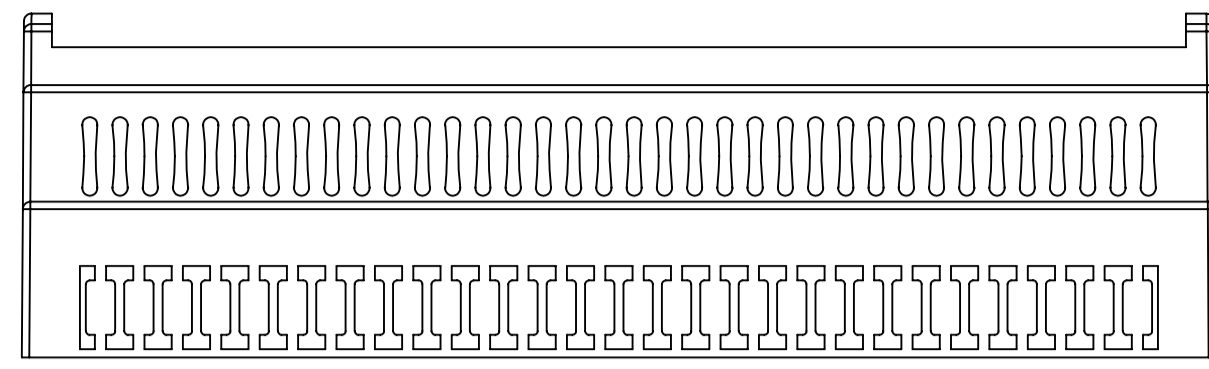
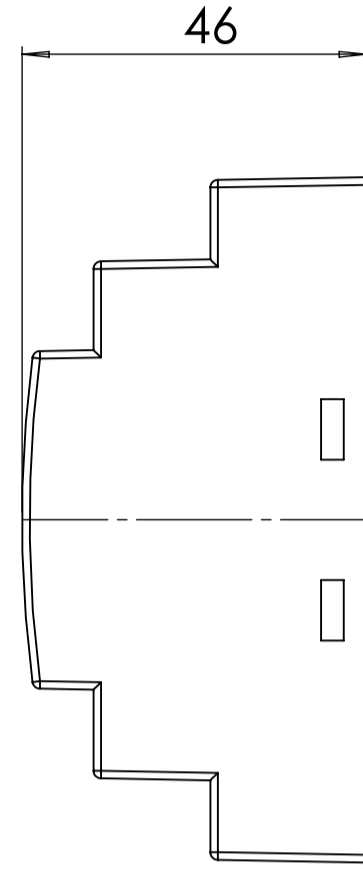


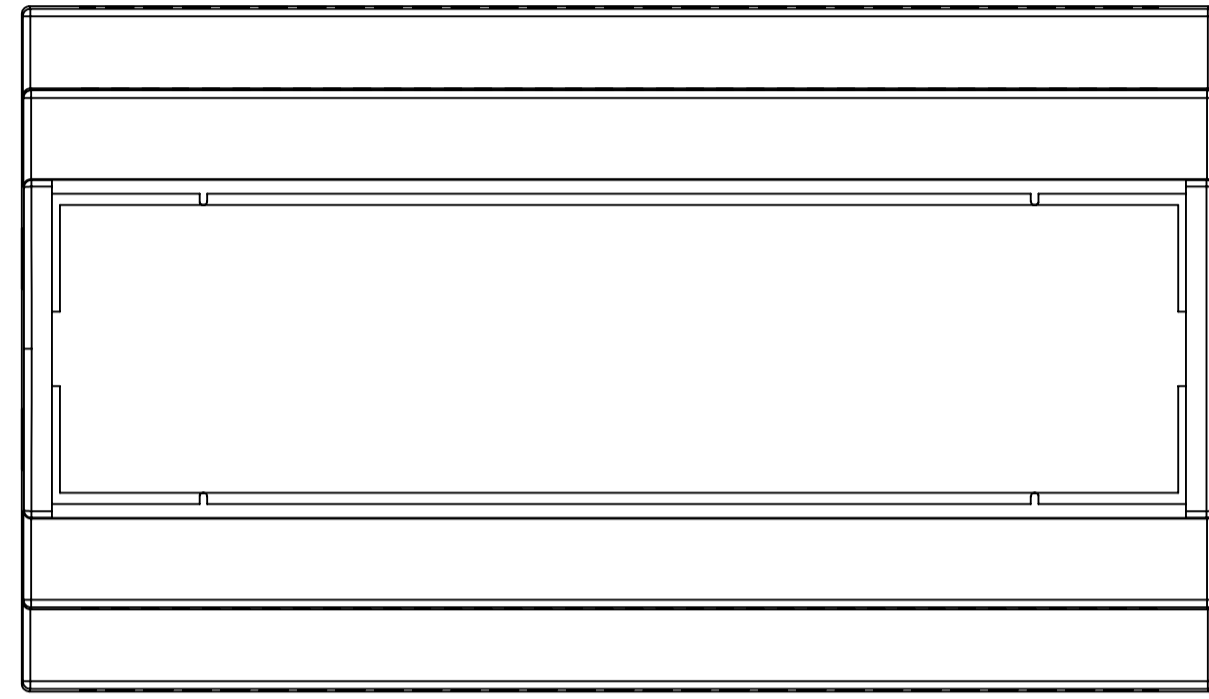
BASE: 6 SURFACE



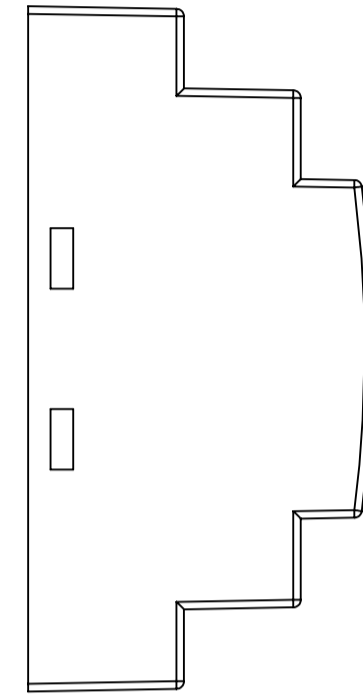
SURFACE-1



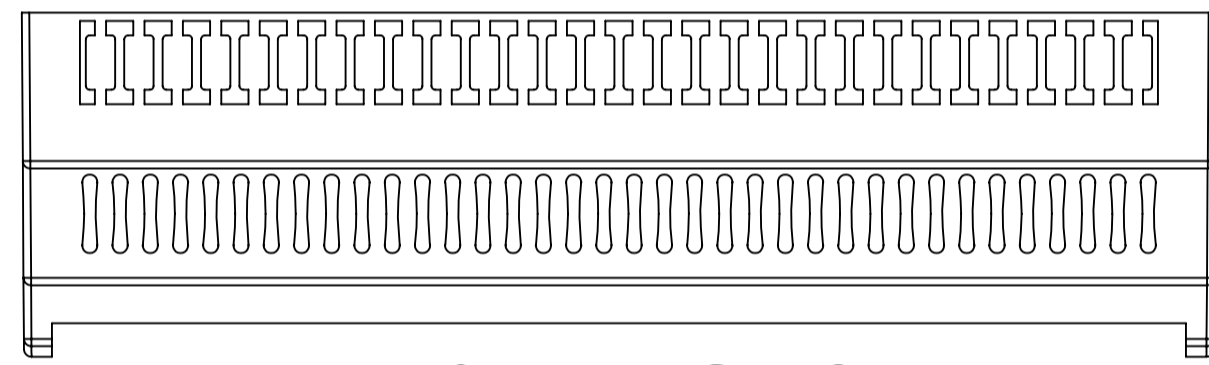
SURFACE-3



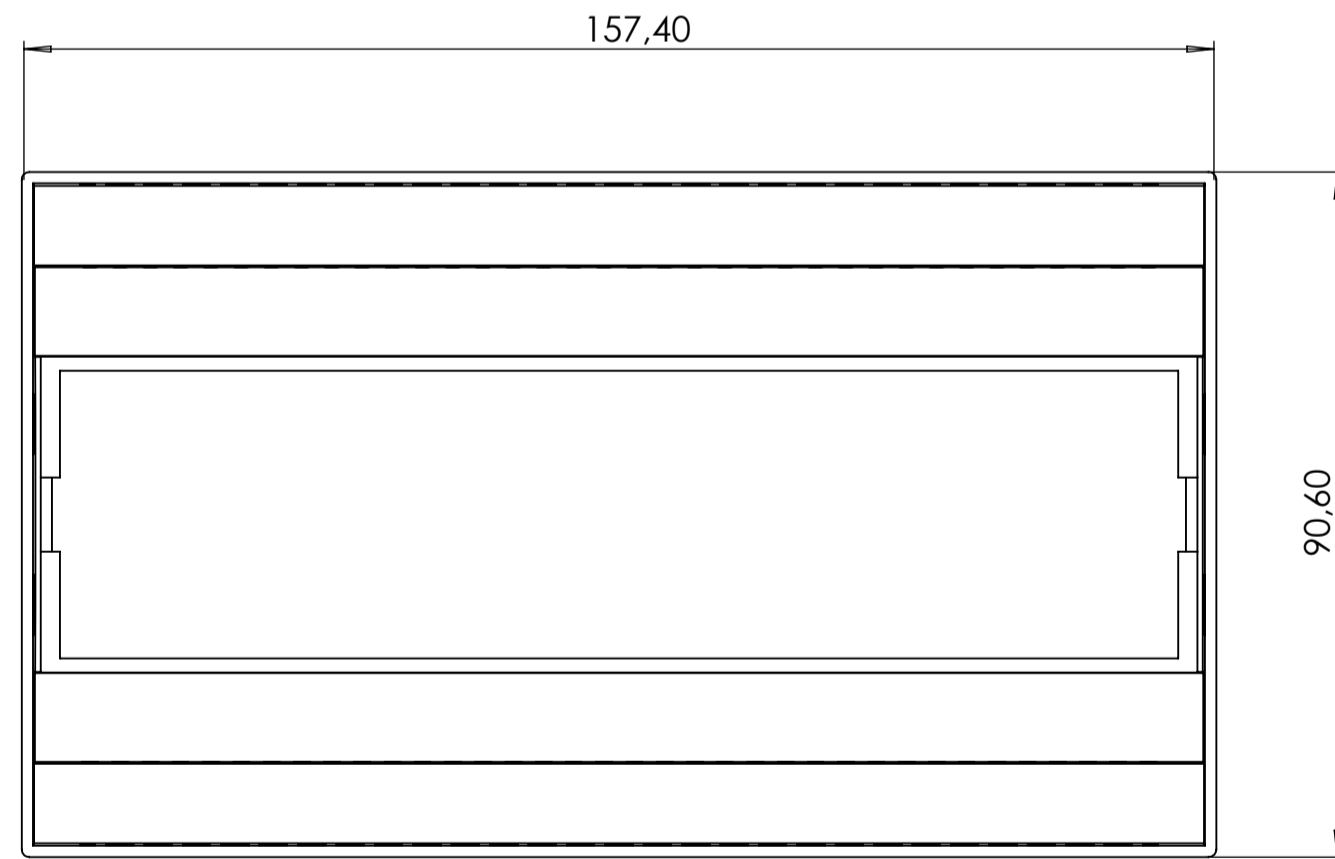
SURFACE-5



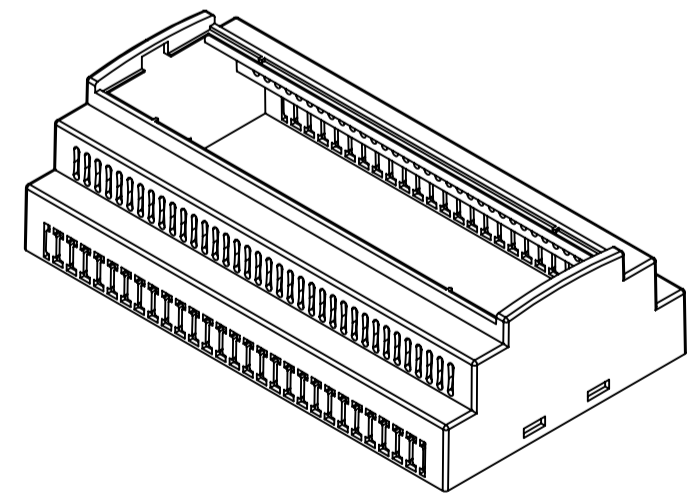
SURFACE-4



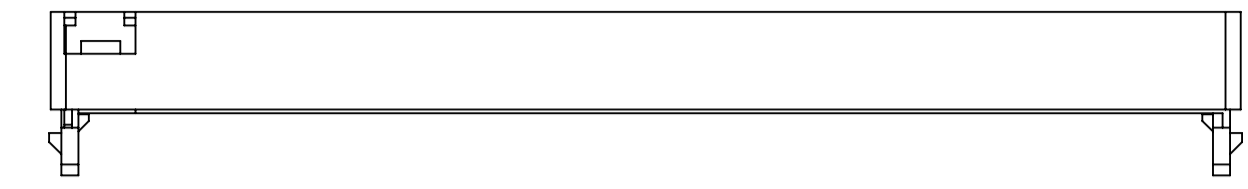
SURFACE-2



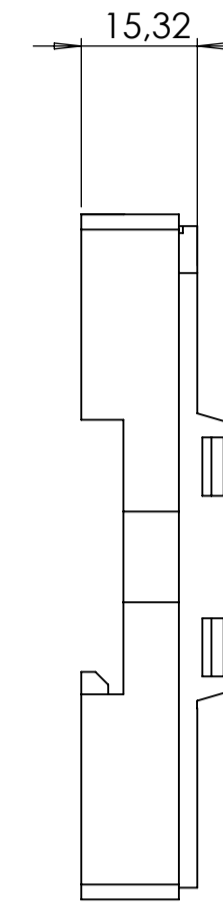
SURFACE-6 (INSIDE)



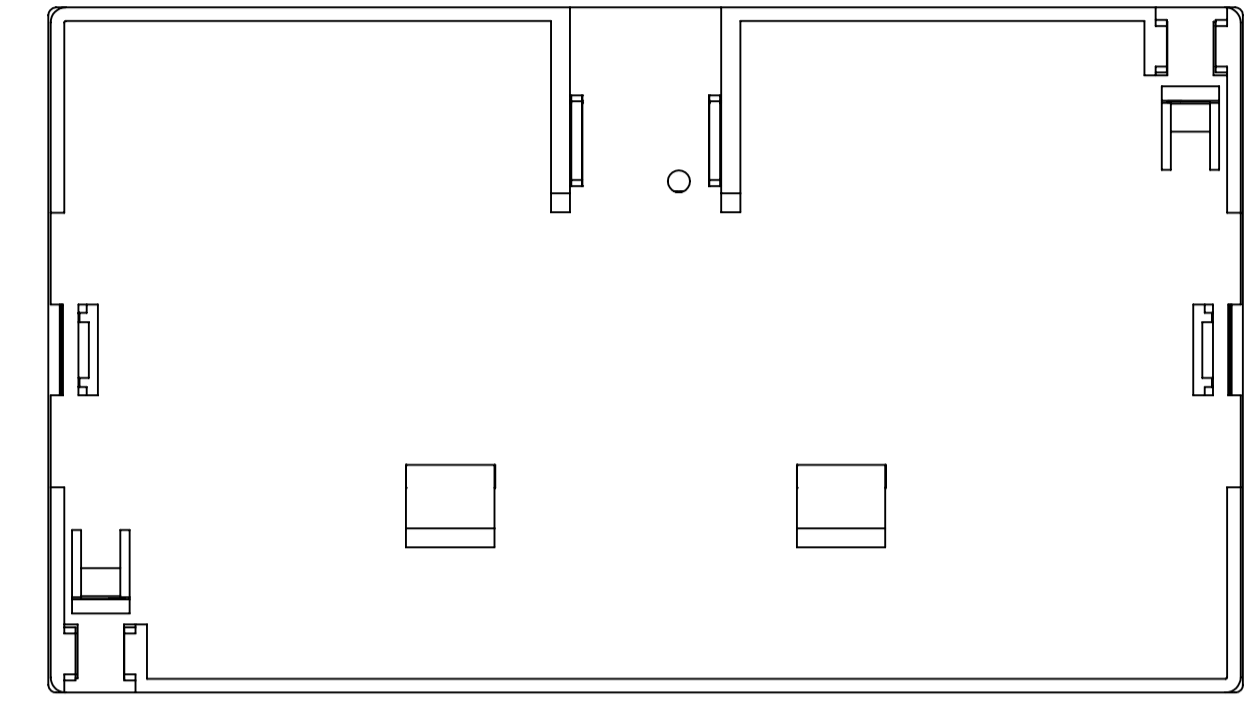
COVER: 6 SURFACE



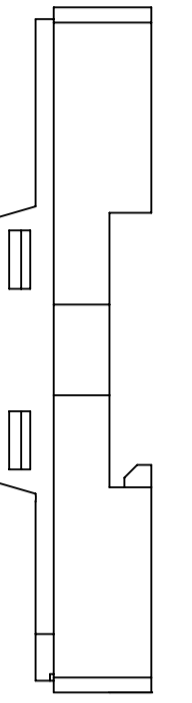
SURFACE-7



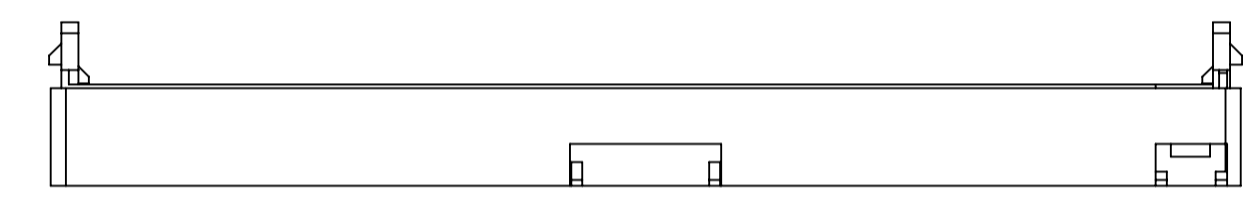
SURFACE-9



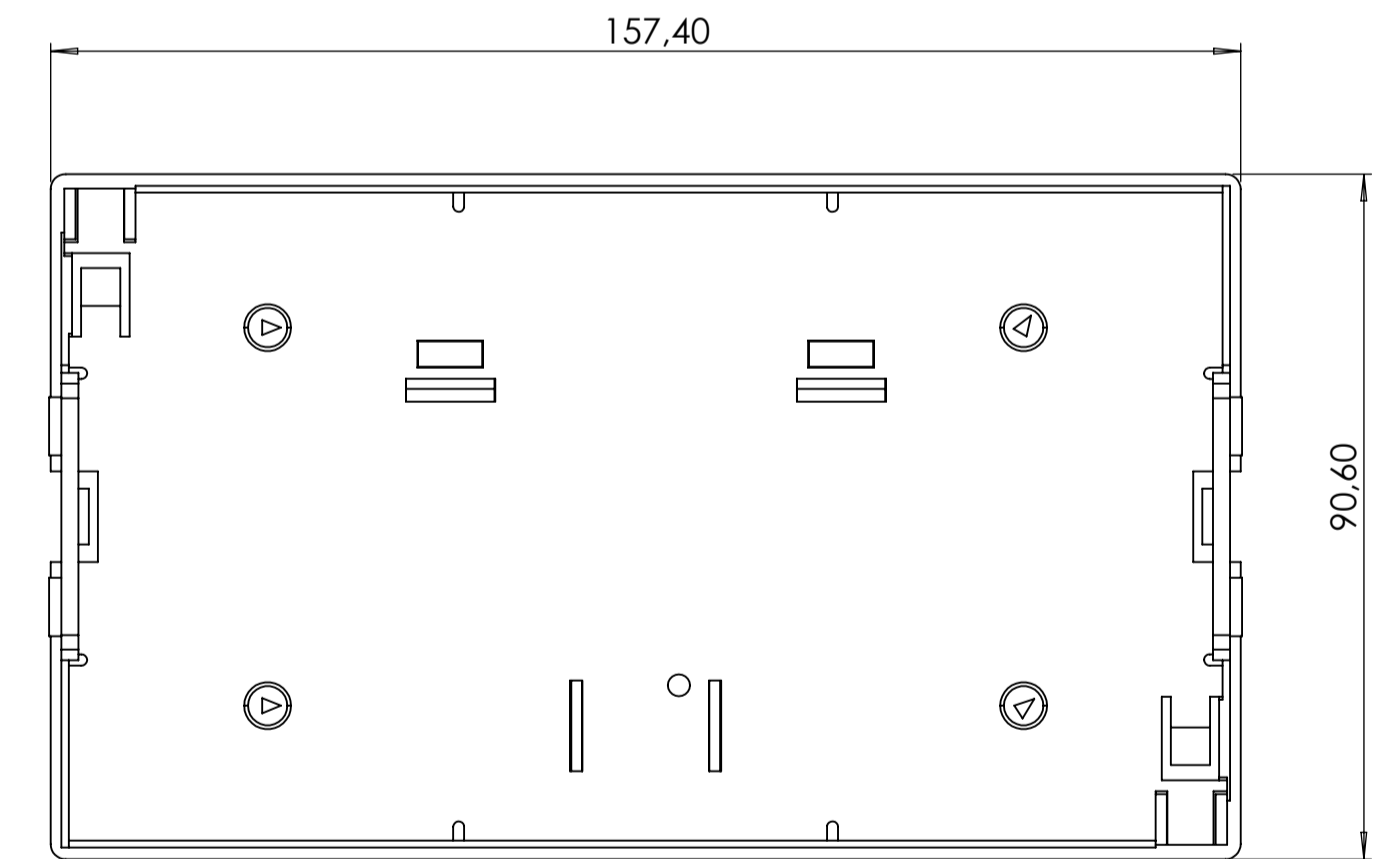
SURFACE-11



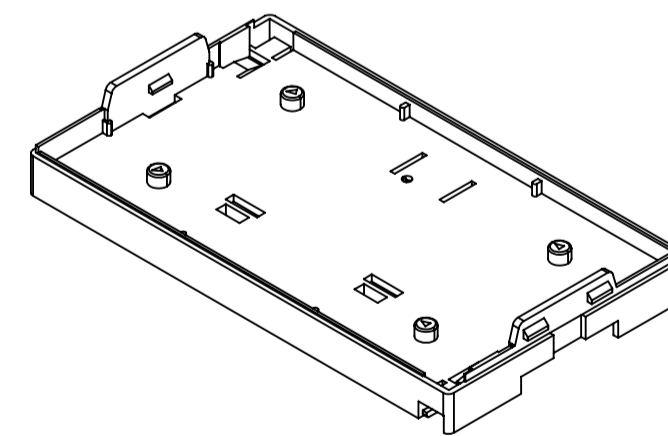
SURFACE-10



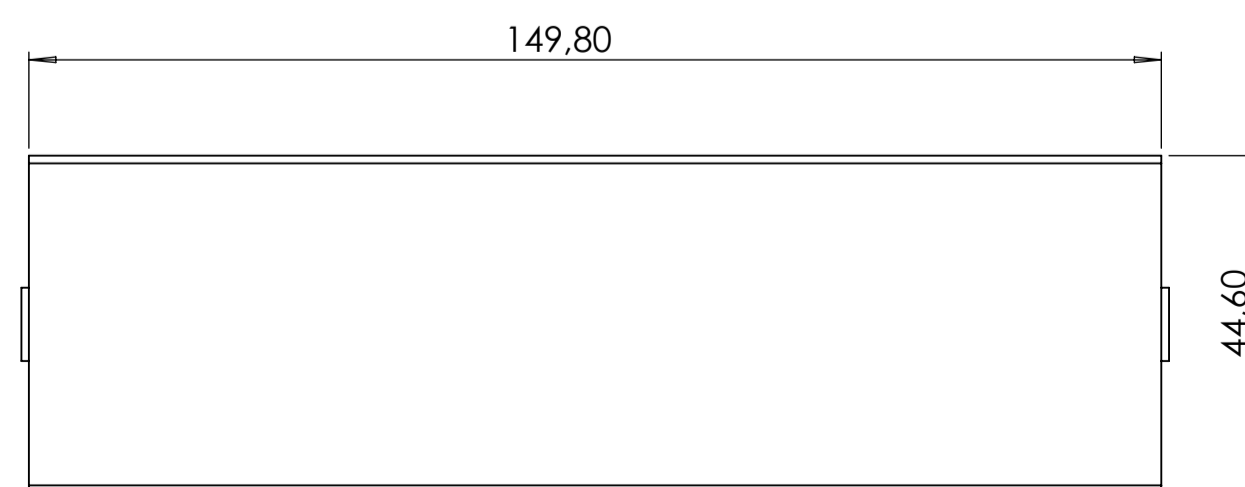
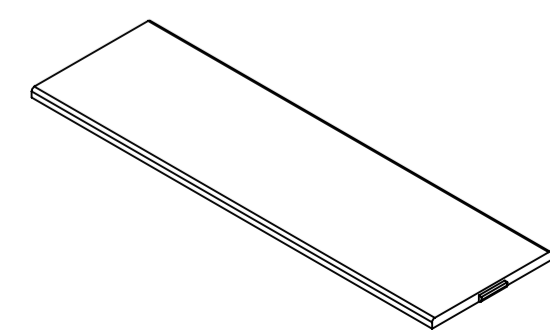
SURFACE-8



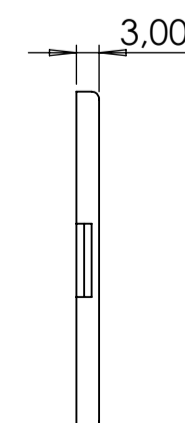
SURFACE-12 (INSIDE)



PANEL: 2 SURFACE



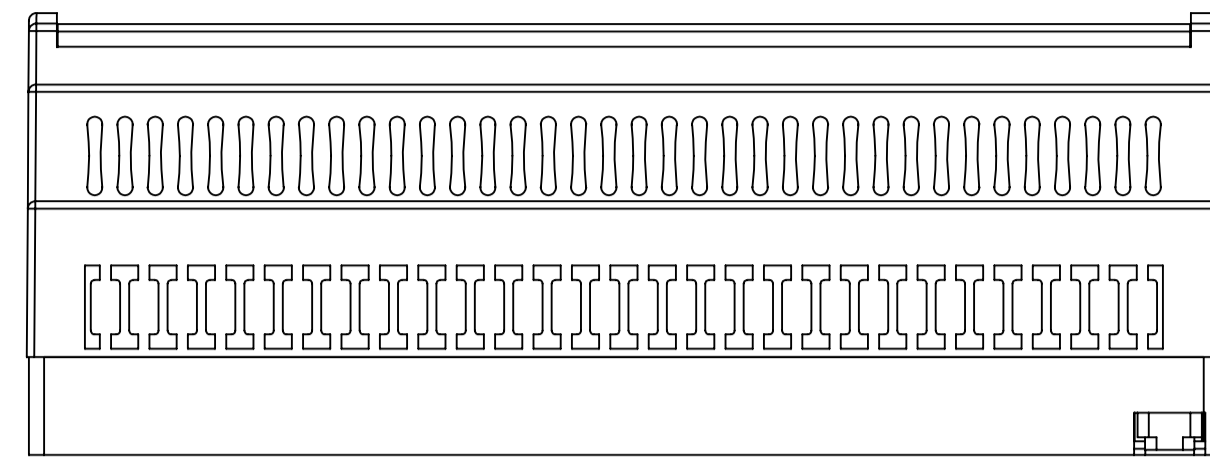
SURFACE-13



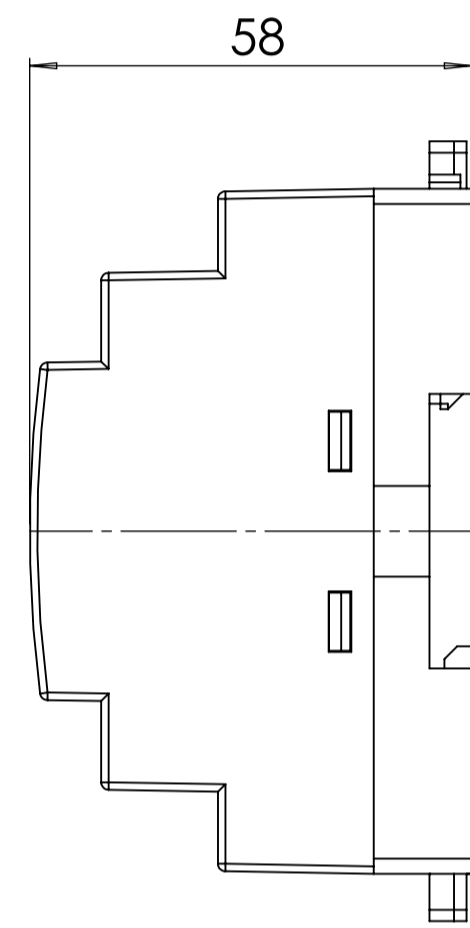
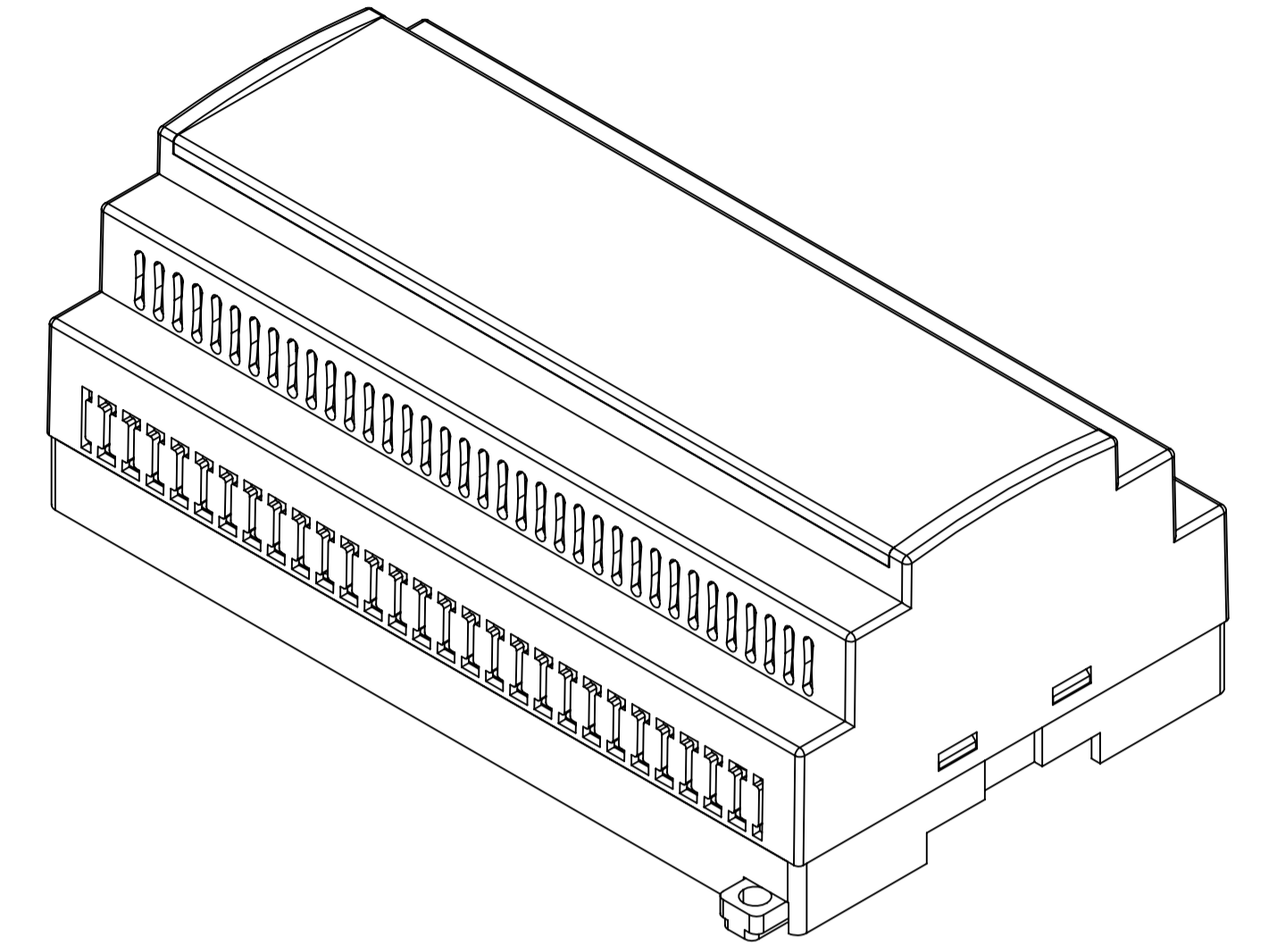
SURFACE-14 (INSIDE)

REV. NO.	DATE	REVISED BY	DESCRIPTION OF CHANGE
ALTINKAYA Electronic Enclosures & Components www.altinkaya.com			
Customer Name:		Customer Ref.:	
Altinkaya Ref.:		Part Name: RT-209-D	
DRAWN	NAME	DATE	Drawn From:
CHECKED	Y. YEL	23.08.2024	Material:
DIMENSIONAL TOLERANCES UNLESS OTHERWISE SPECIFIED:			SCALE 1:1 UNIT : mm
(R&T) (mm)	±0.1	±0.1	±0.2
	±0.1	±0.2	±0.3
		±0.5	±0.5
			Dimension(mm)
			120-400mm
			m (medium)
			A1
			SHEET 1 OF 2

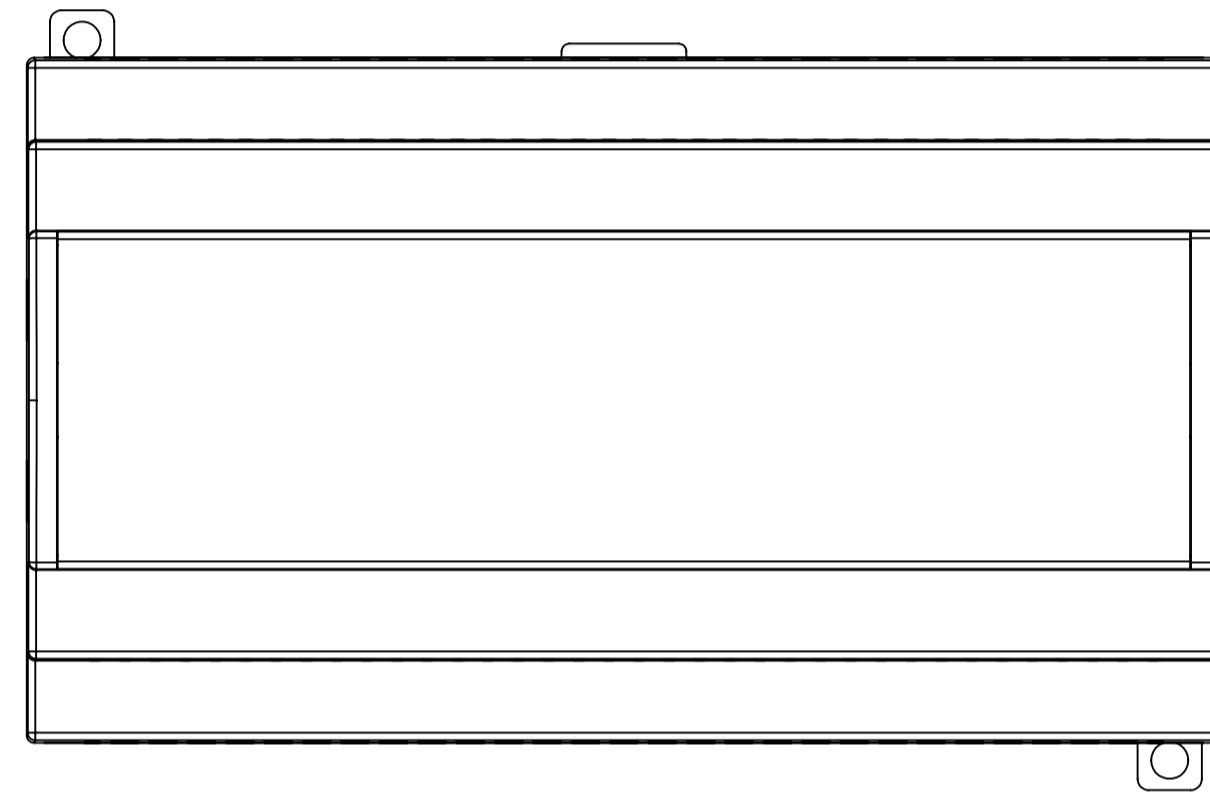
RT-209-D IF MACHINED TOGETHER



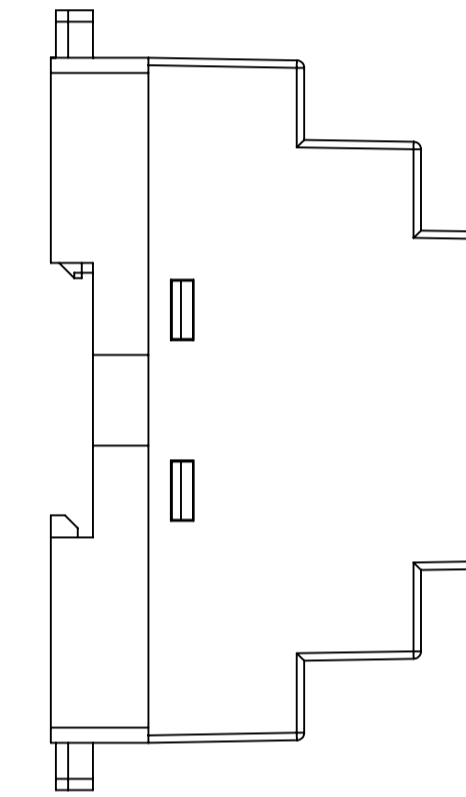
SURFACE-15



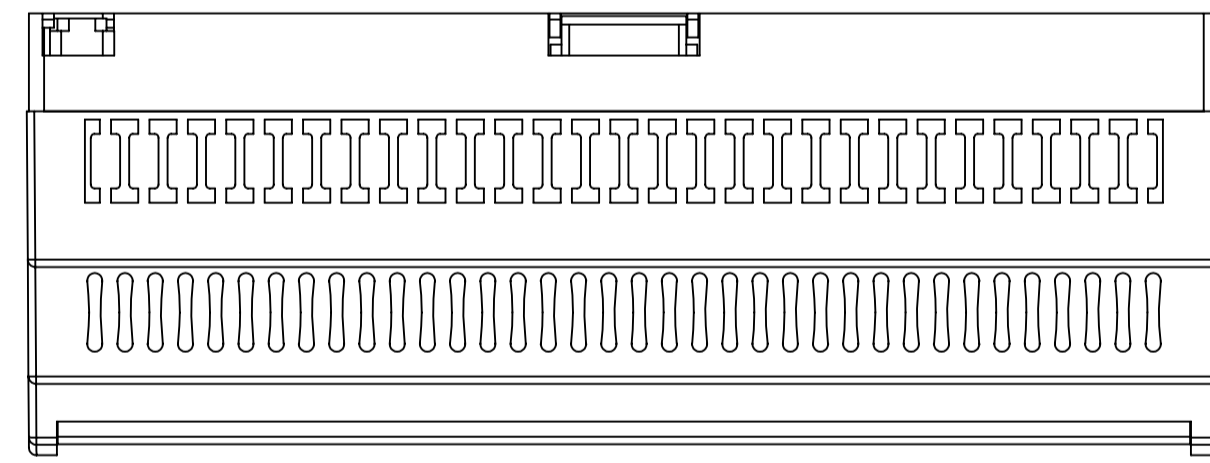
SURFACE-17



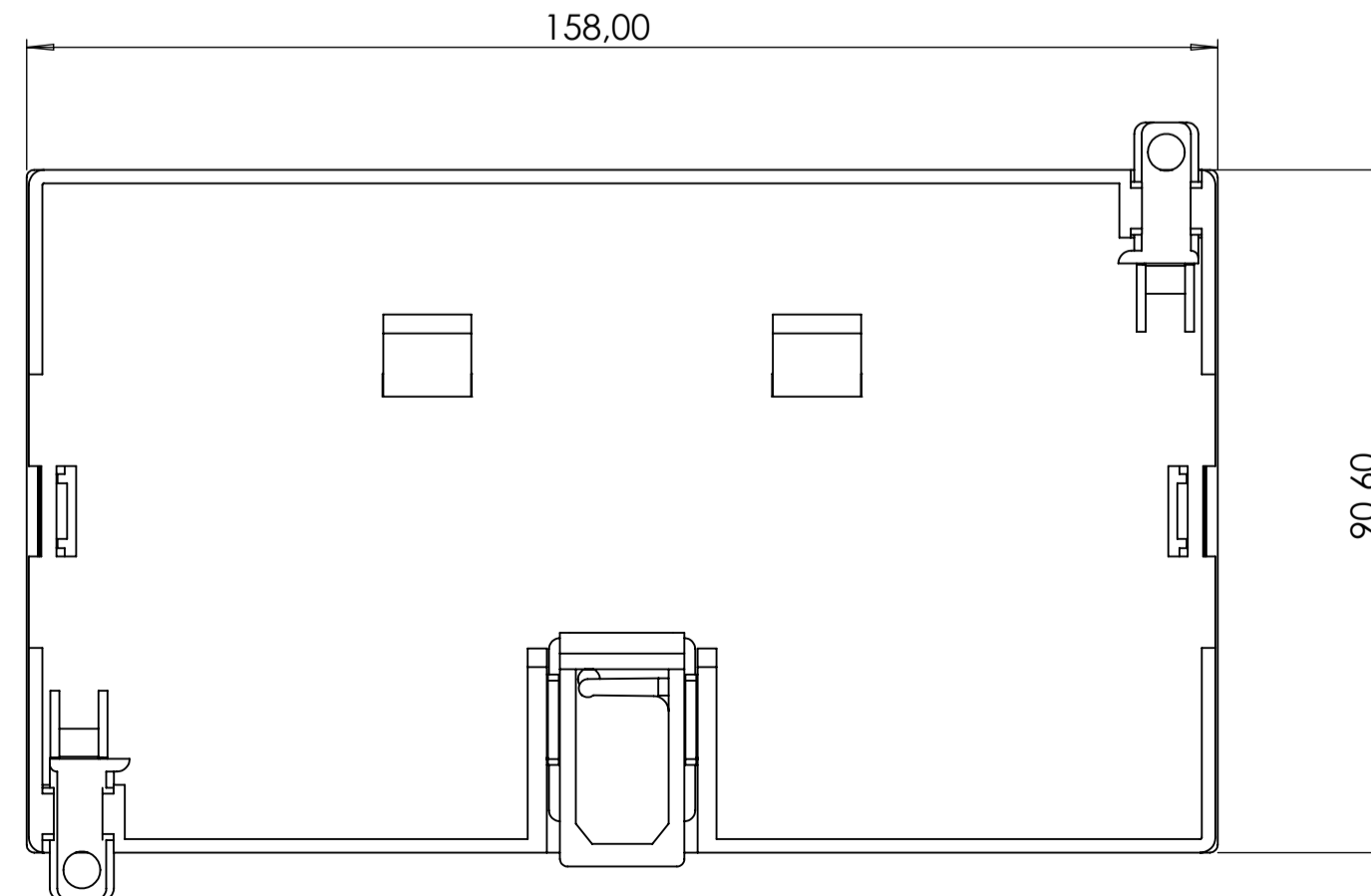
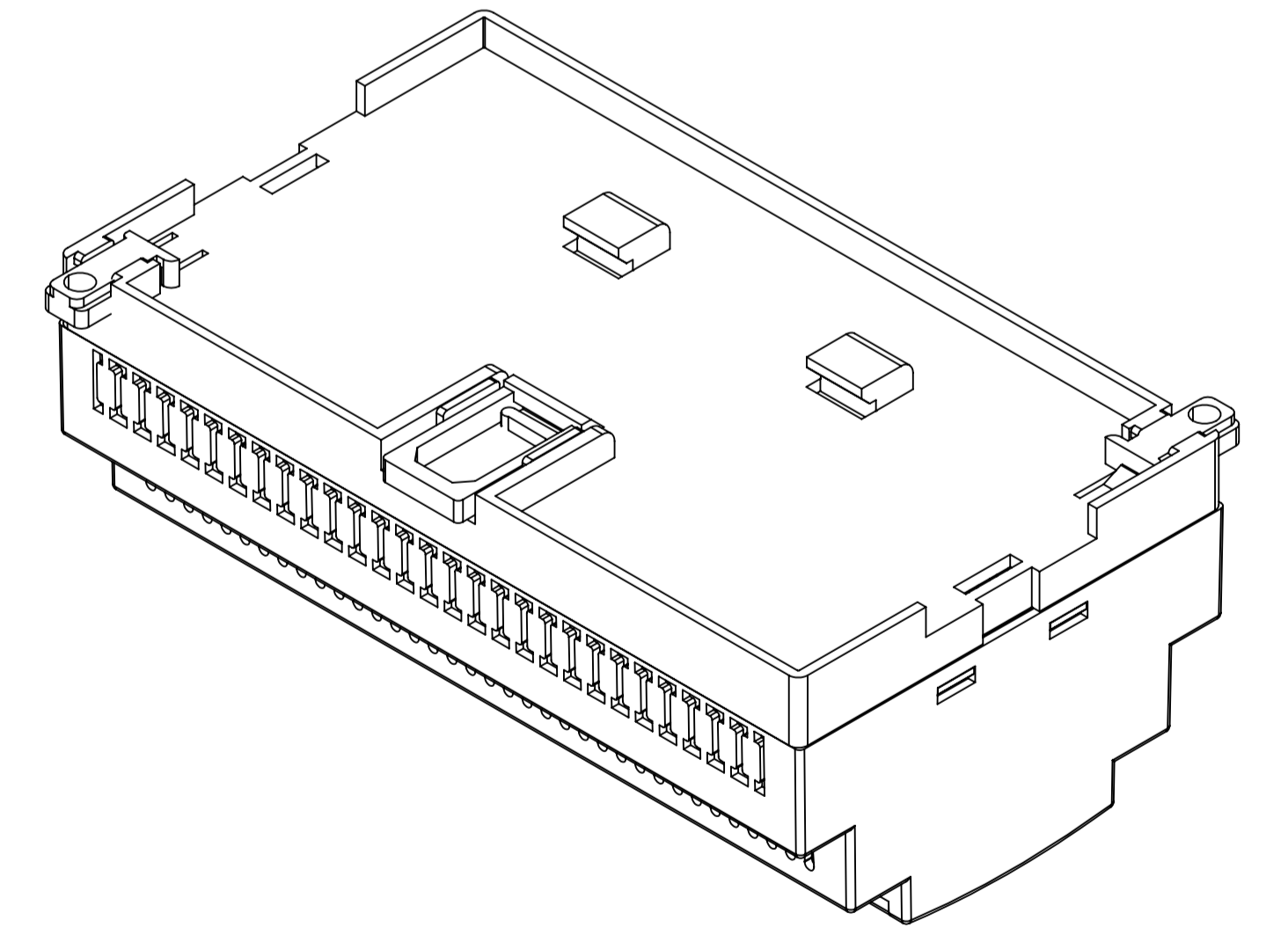
SURFACE-19



SURFACE-18



SURFACE-16



SURFACE-20

REV. NO.	DATE	REVISED BY	DESCRIPTION OF CHANGE
ALTINKAYA Electronic Enclosures & Components			www.altinkaya.com
Customer Name:		Customer Ref.:	
Altinkaya Ref.:		Part Name: RT-209-D	
DRAWN	NAME	DATE	Drawn From:
CHECKED	Y. YEL	23.08.2024	Material:
DIMENSIONAL TOLERANCES UNLESS OTHERWISE SPECIFIED:			SCALE 1:1 UNIT : mm
[R47.148]	±0.1	±0.1	±0.2
	±0.1	±0.2	±0.3
		±0.5	
			Dimension(mm)
			120-400mm
			m(medium)
			SHEET 2 OF 2