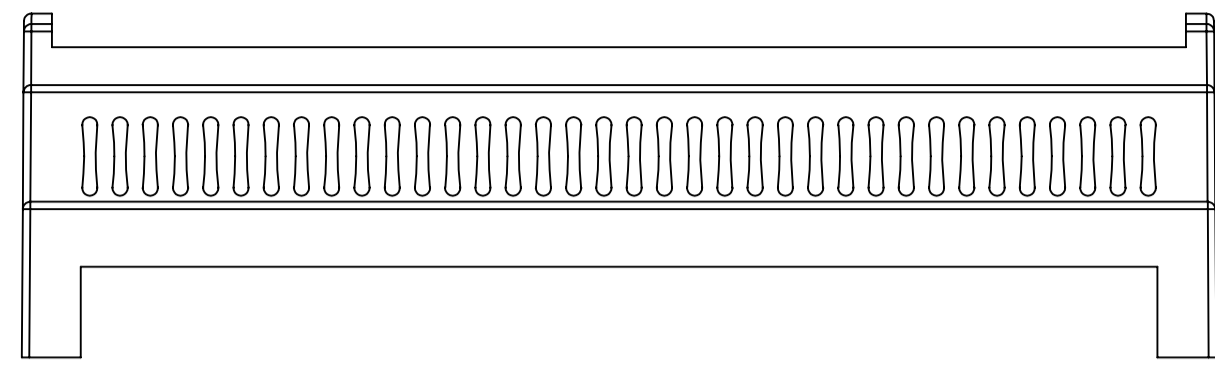
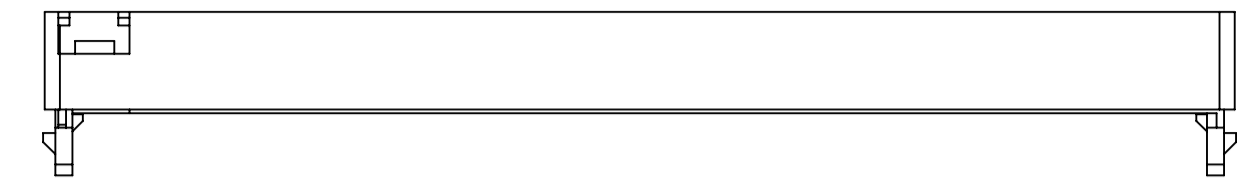


BASE: 6 SURFACE

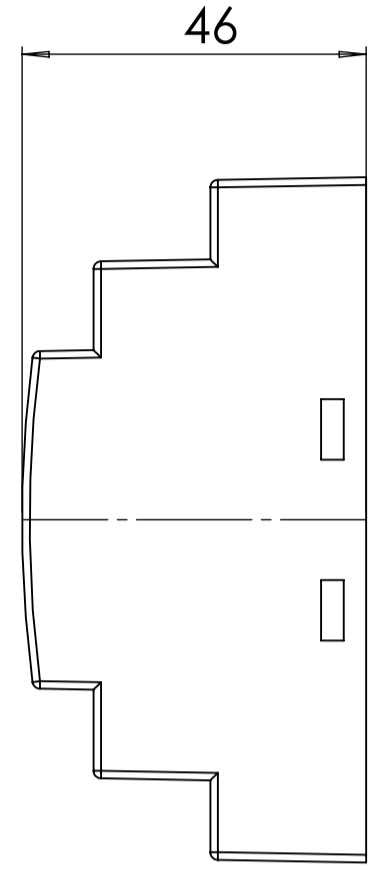
COVER: 6 SURFACE



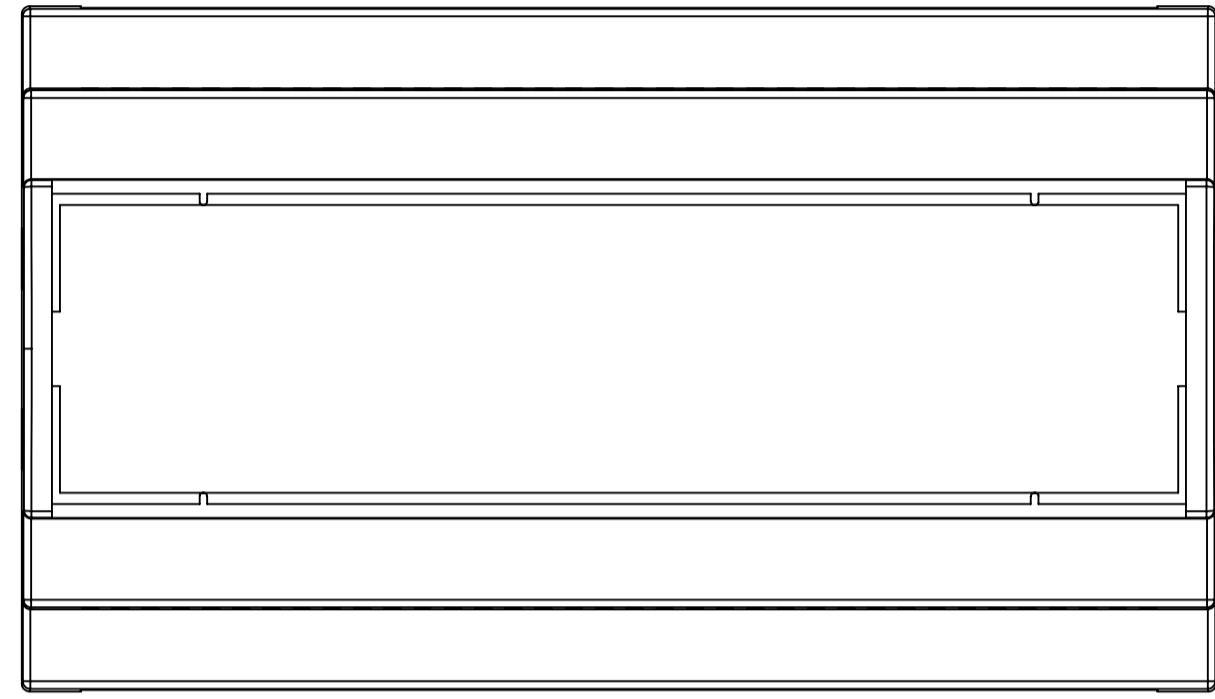
SURFACE-1



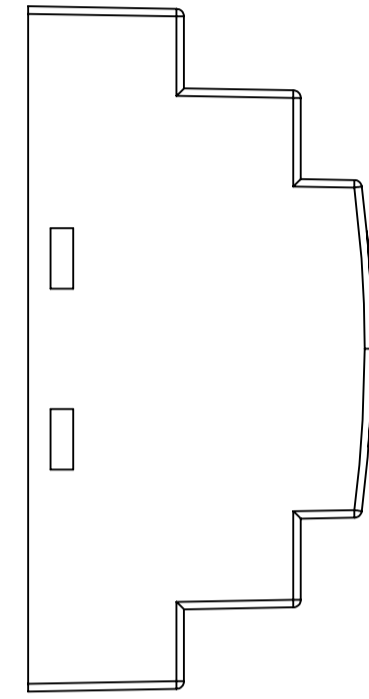
SURFACE-7



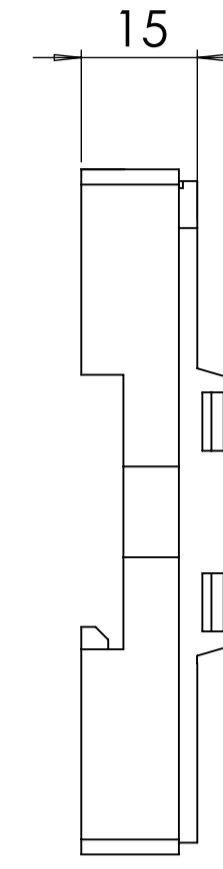
SURFACE-3



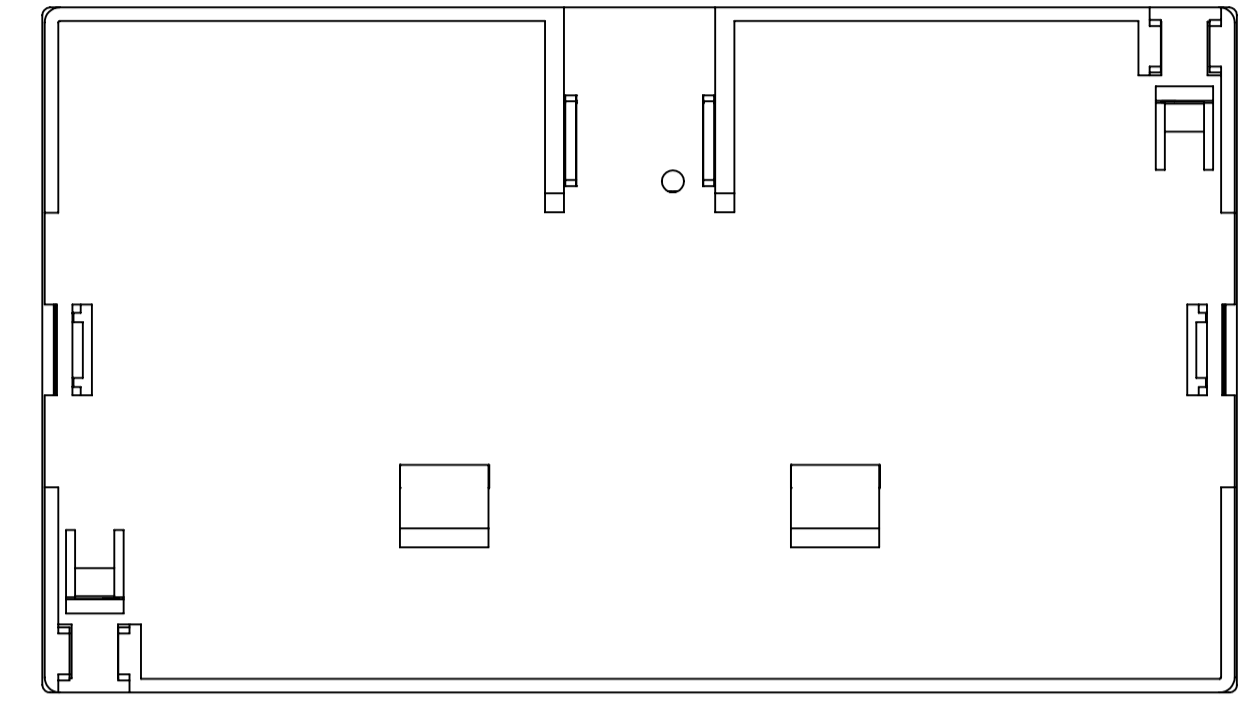
SURFACE-5



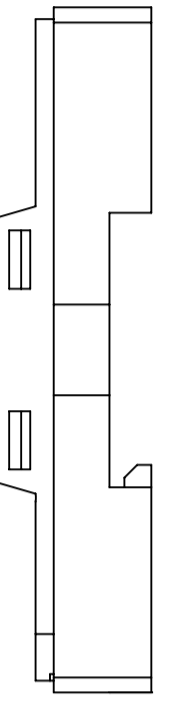
SURFACE-4



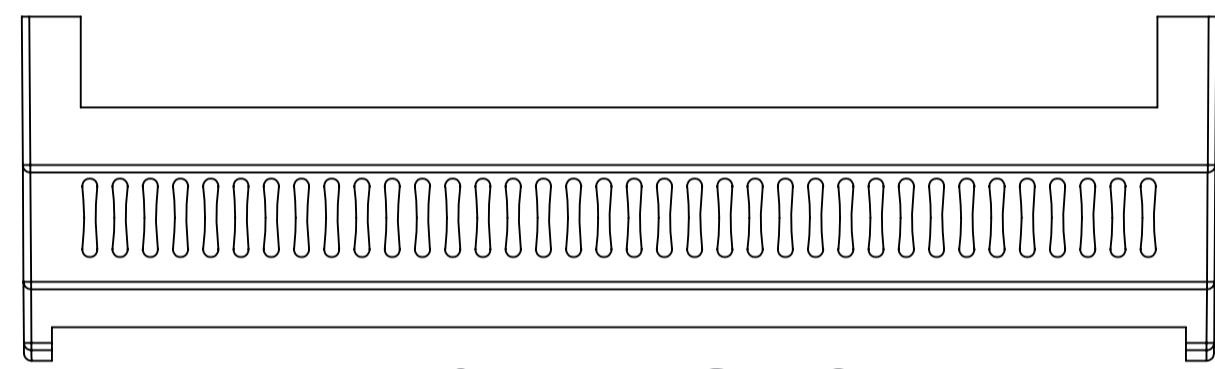
SURFACE-9



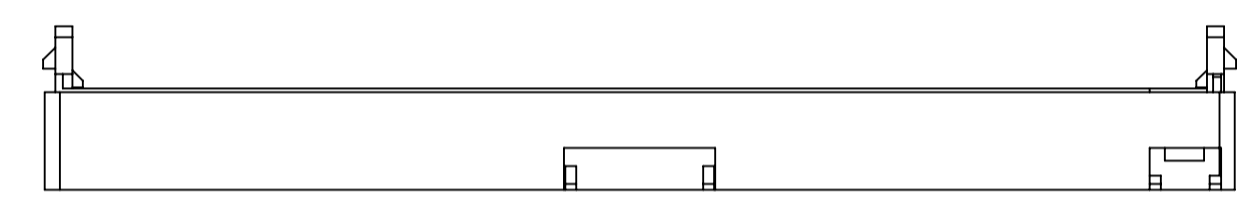
SURFACE-11



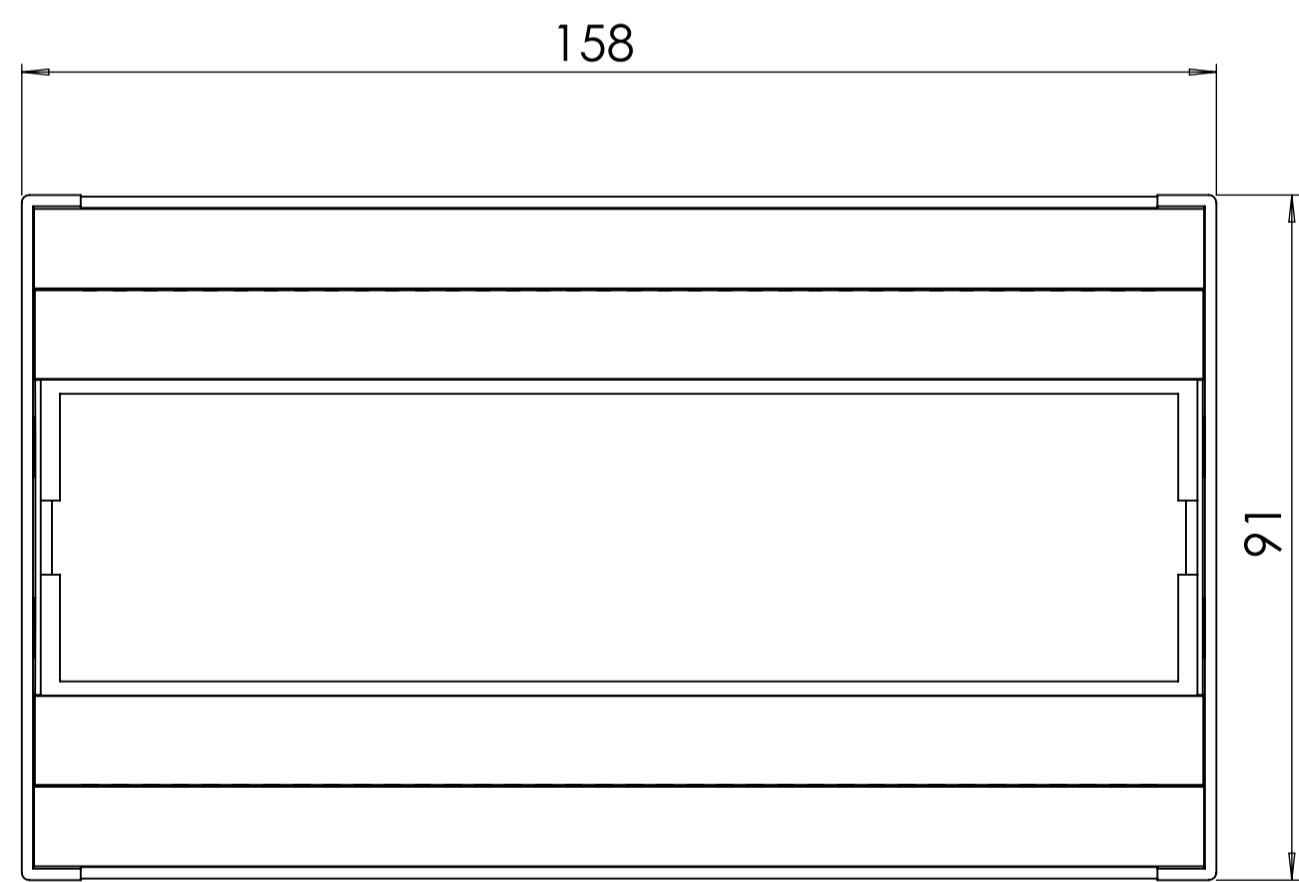
SURFACE-10



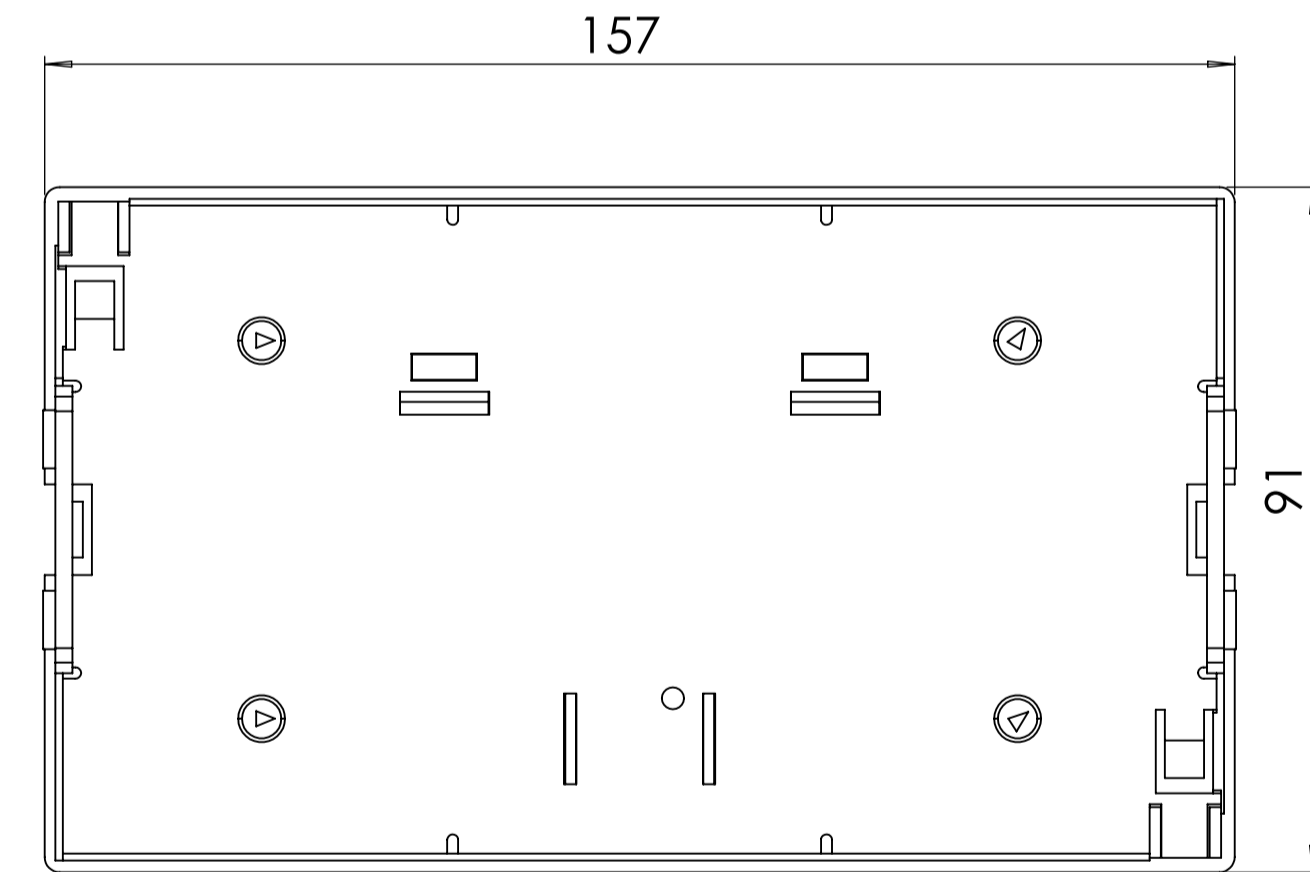
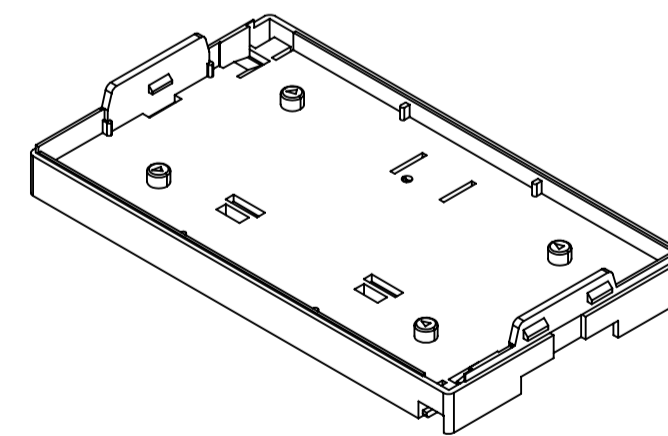
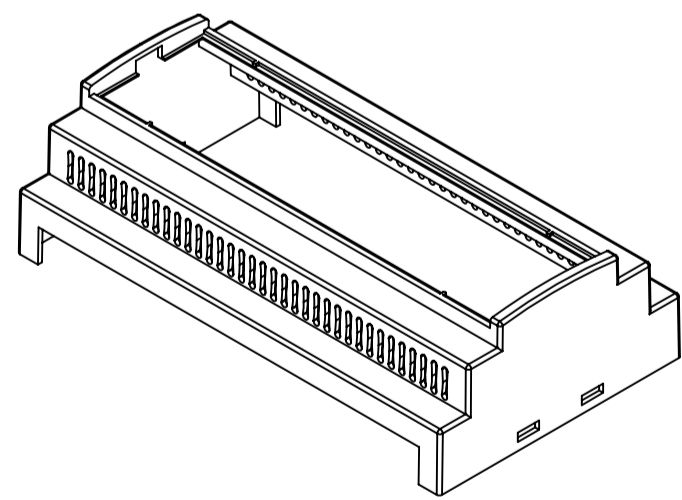
SURFACE-2



SURFACE-8

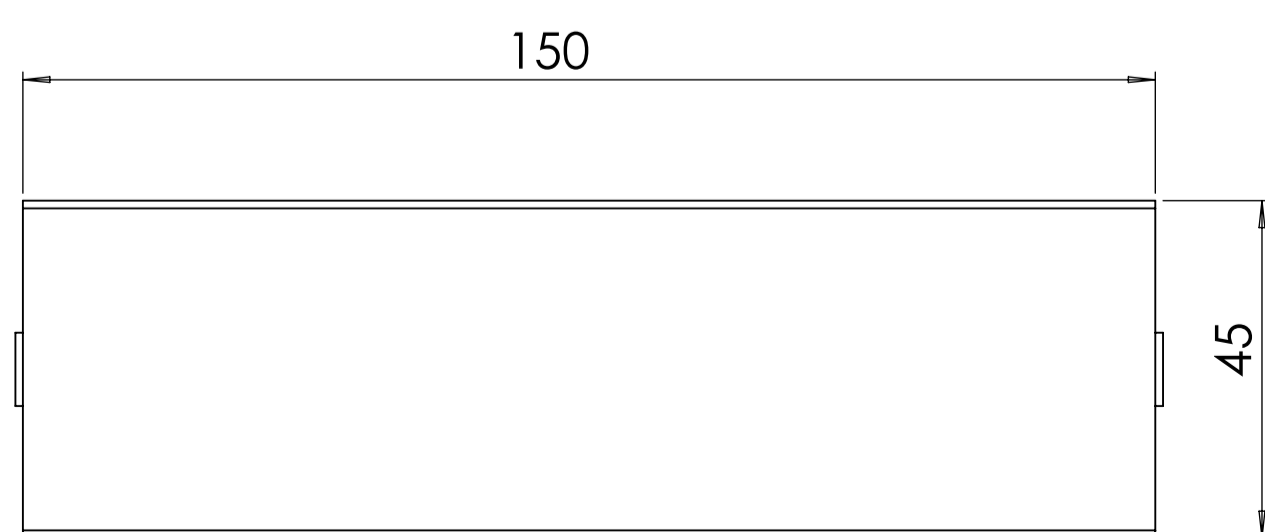
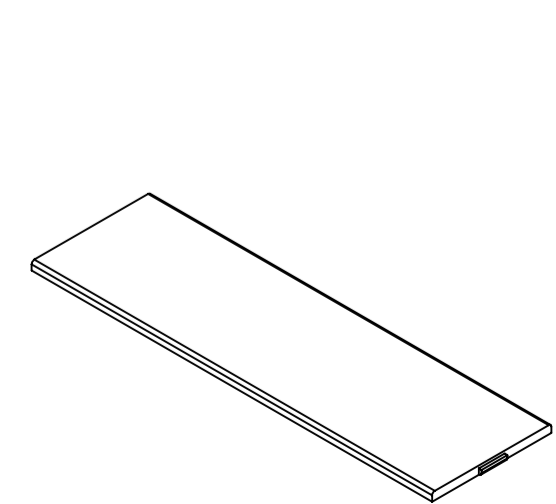


SURFACE-6 (INSIDE)



SURFACE-12 (INSIDE)

PANEL: 2 SURFACE



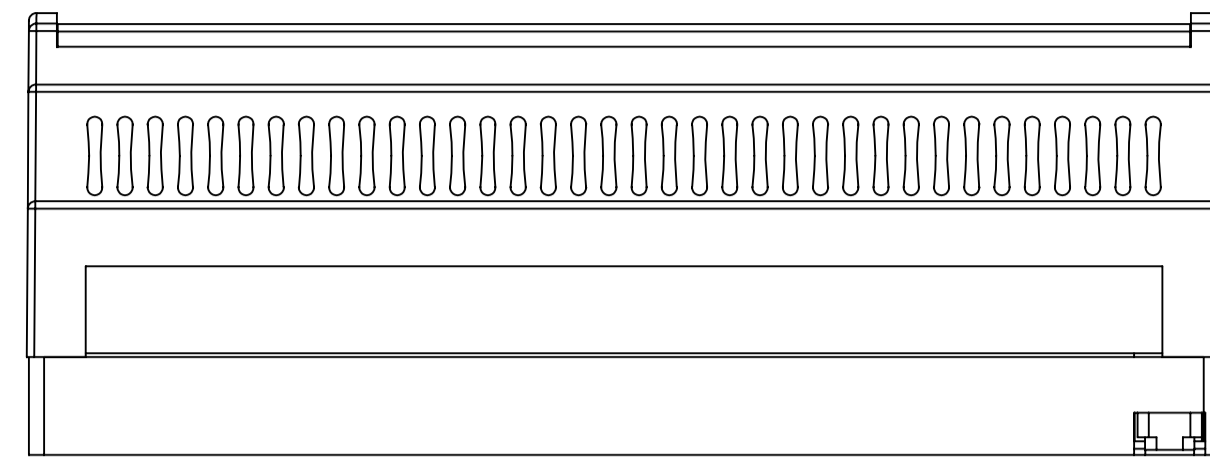
SURFACE-13



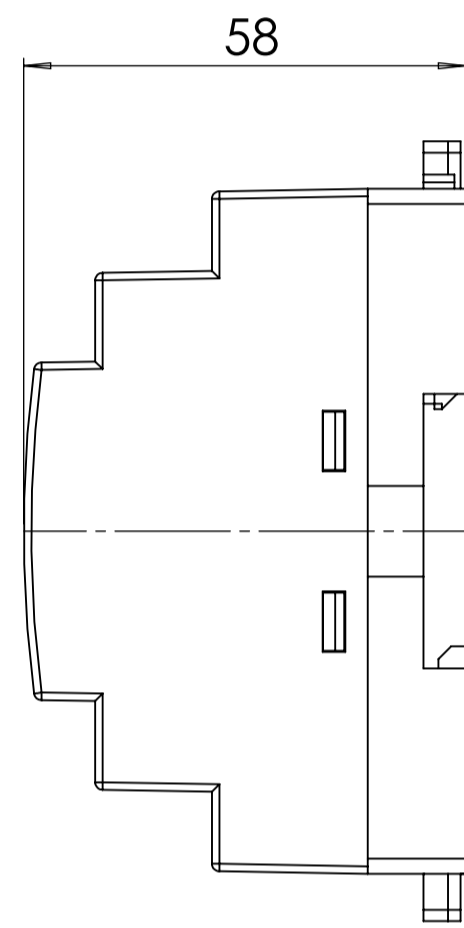
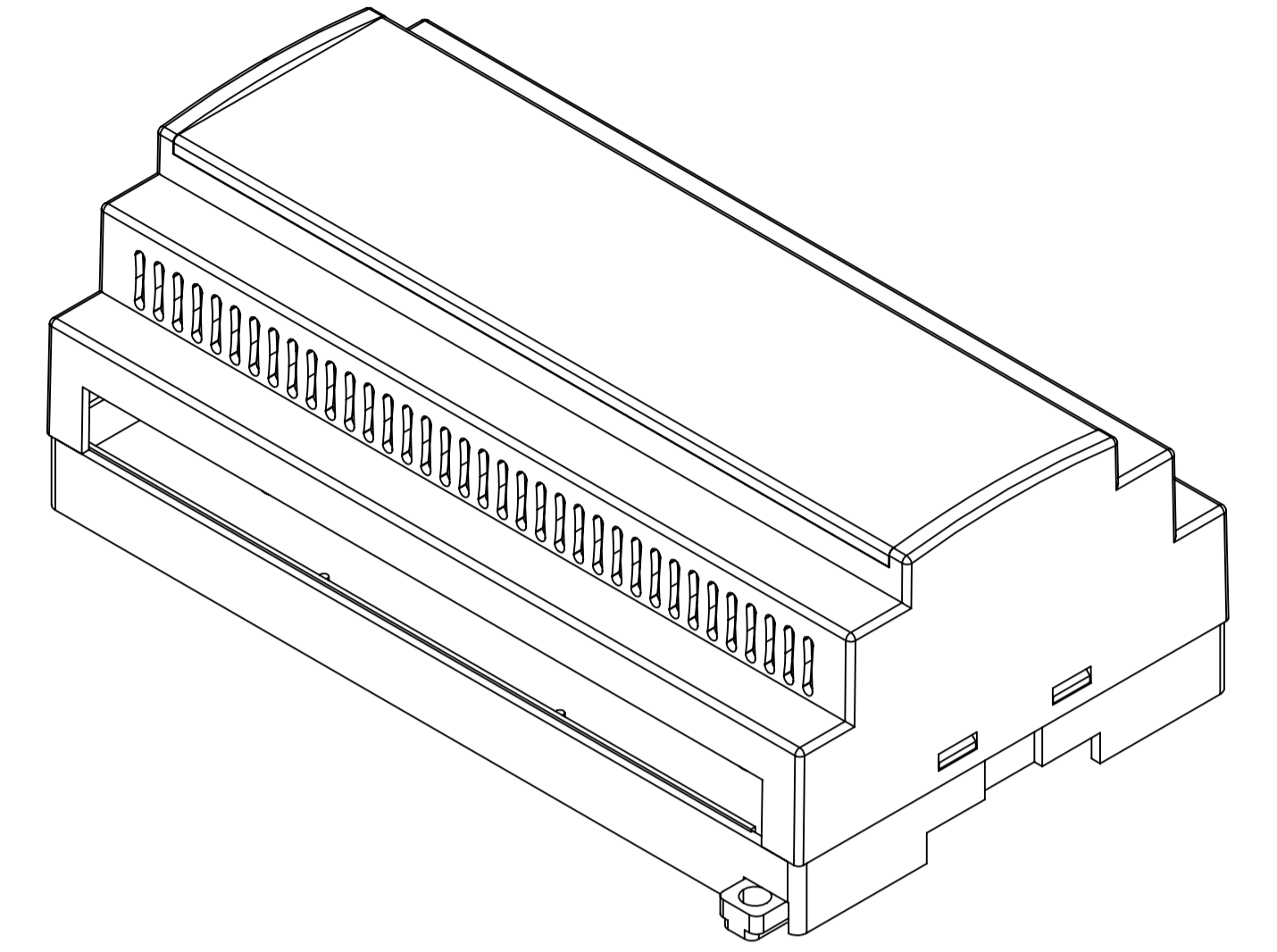
SURFACE-14 (INSIDE)

REV. NO.	DATE	REVISED BY	DESCRIPTION OF CHANGE
			www.altinkaya.com
Customer Name:		Customer Ref.:	
Altinkaya Ref.:		Part Name: RT-209-E	
DRAWN	NAME	DATE	Drawn From:
CHECKED	Y. YEL	23.08.2024	Material:
DIMENSIONAL TOLERANCES UNLESS OTHERWISE SPECIFIED:			SCALE 1:1 UNIT : mm
	±0.1	±0.1	±0.2
	±0.1	±0.2	±0.3
	±0.1	±0.2	±0.5
			Dimension(mm)
			120-400mm
			m(medium)
			A1
			SHEET 1 OF 2

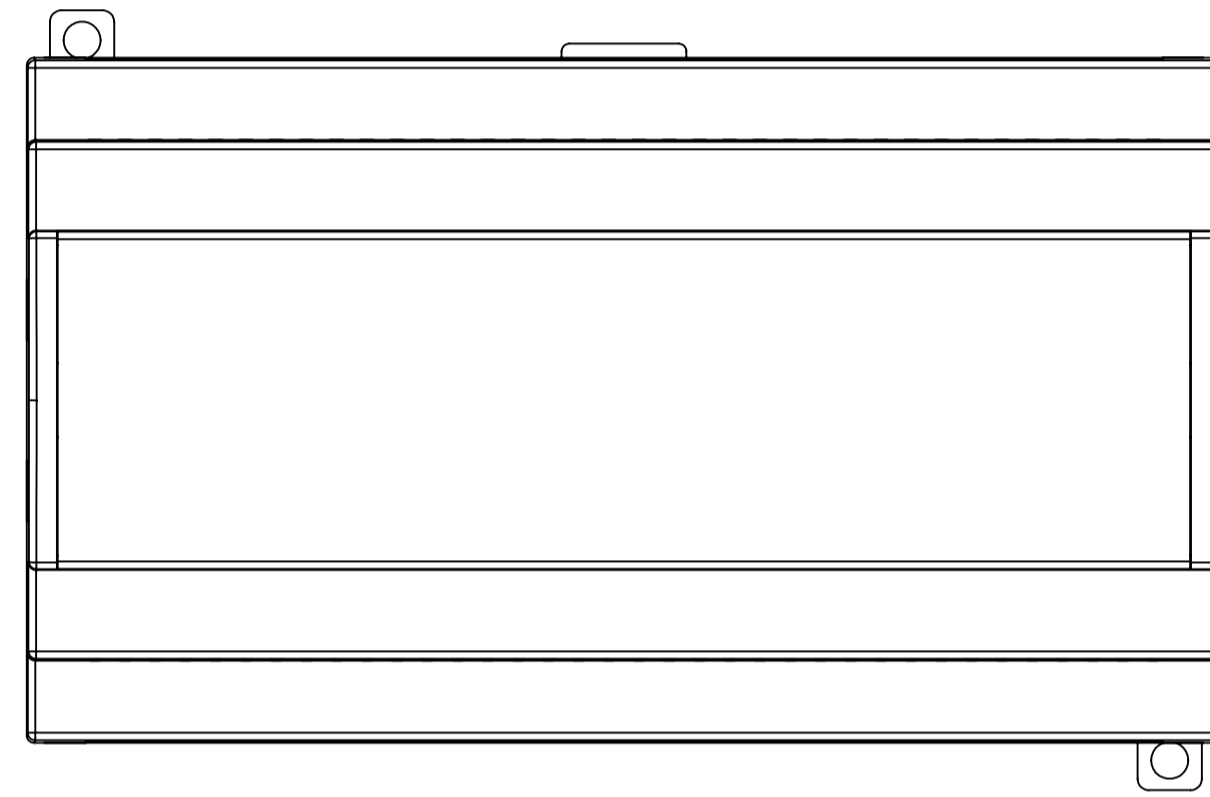
RT-209-E IF MACHINED TOGETHER



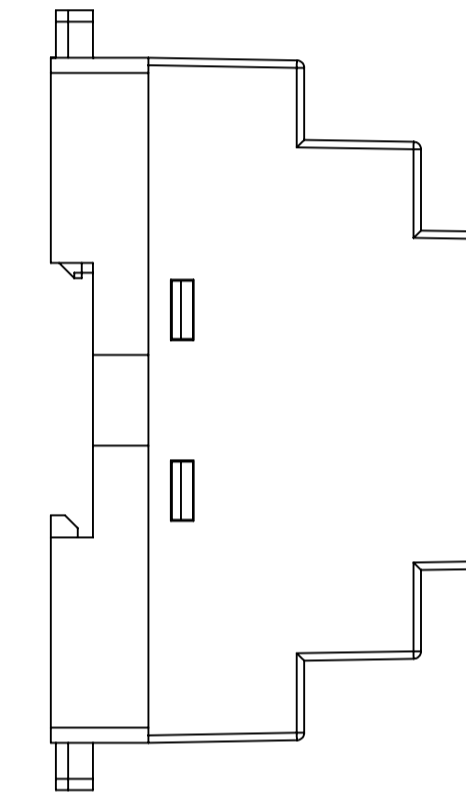
SURFACE-15



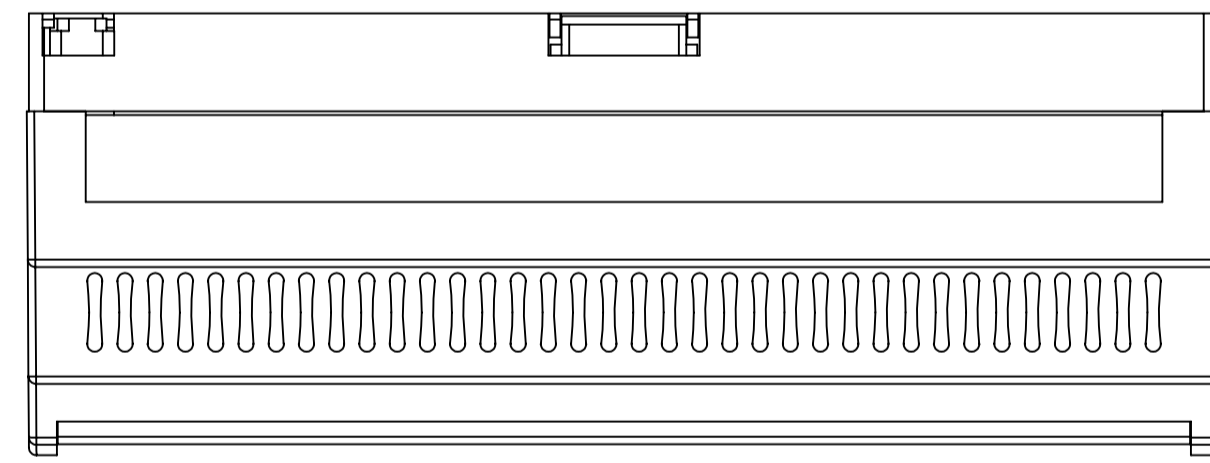
SURFACE-17



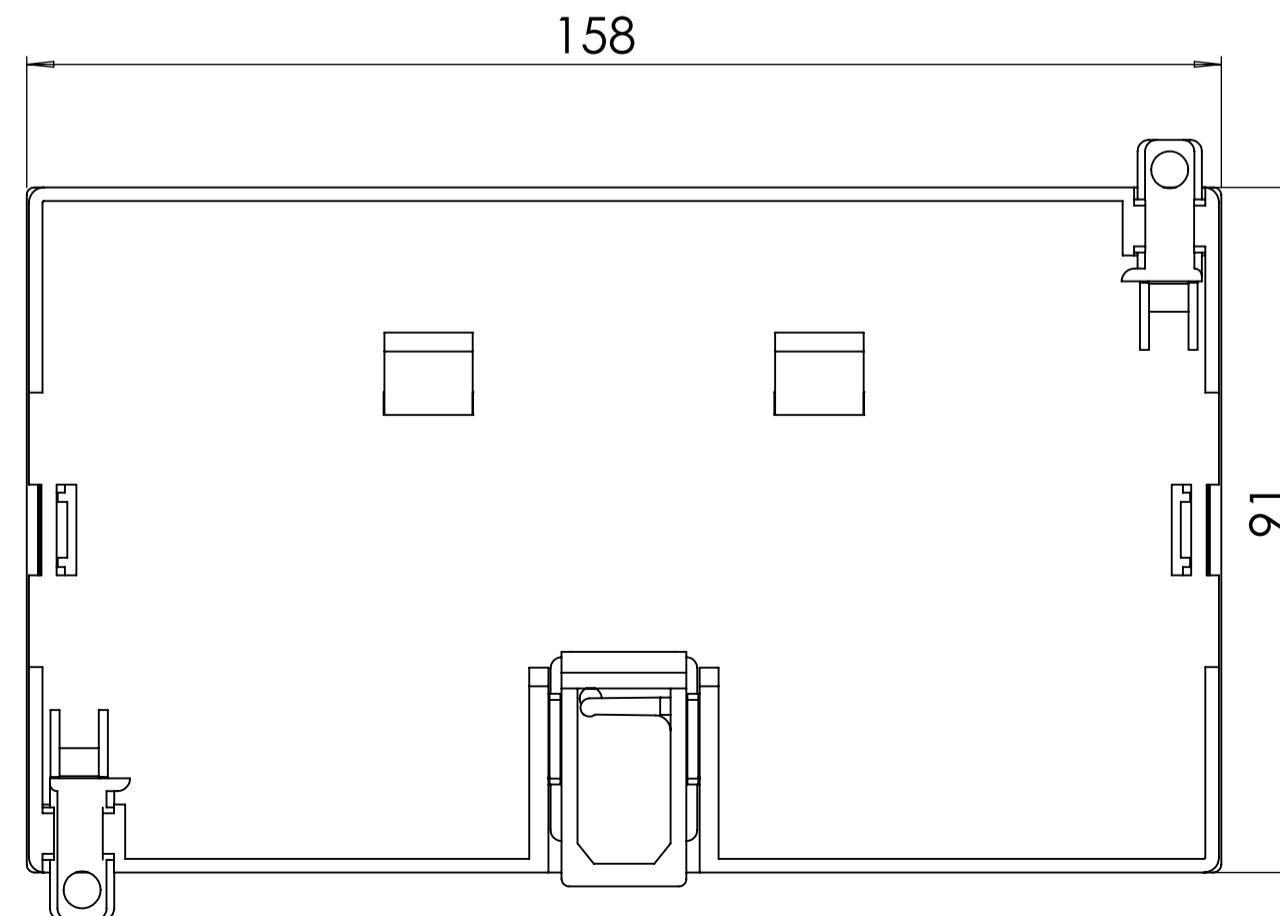
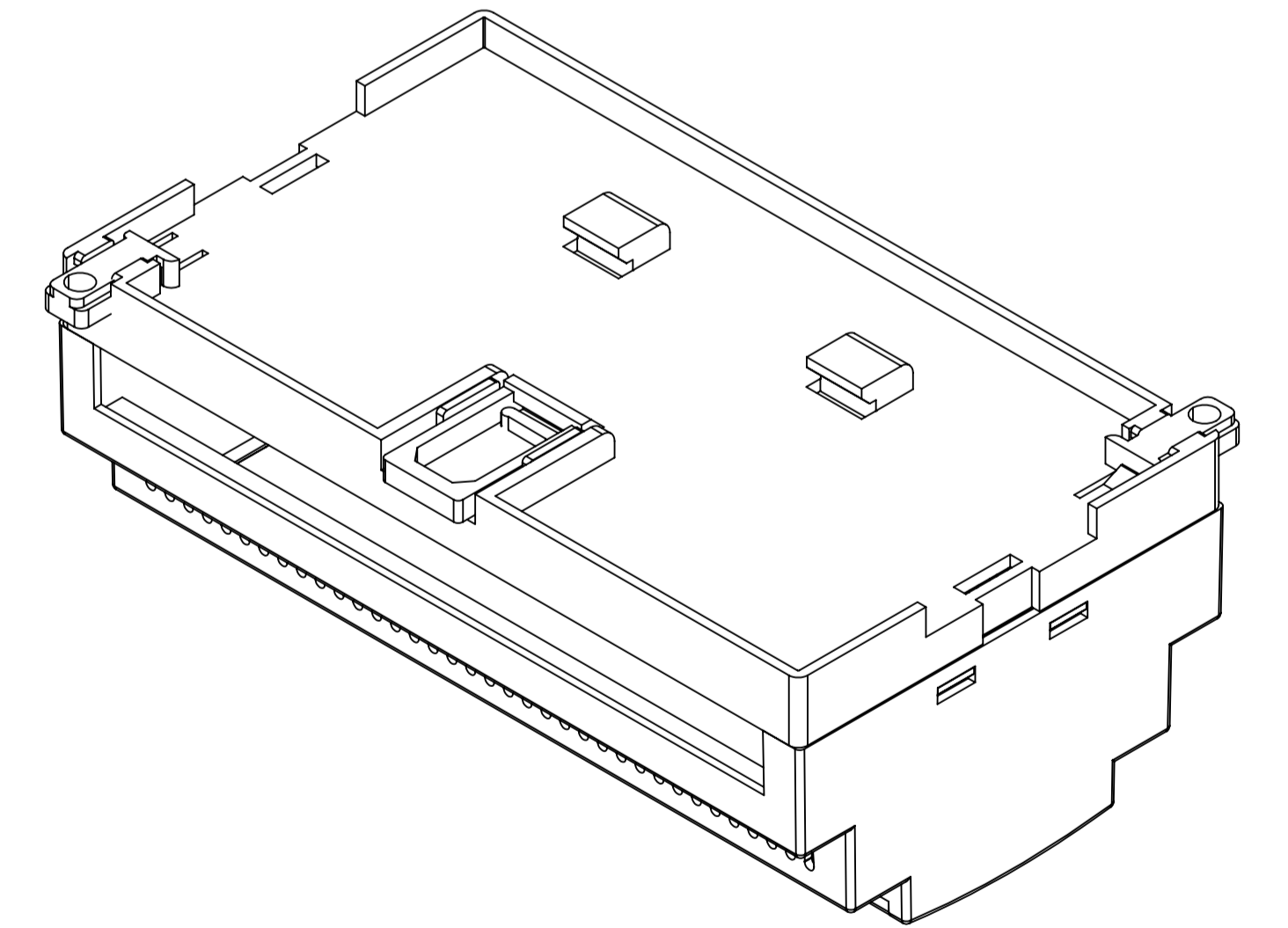
SURFACE-19



SURFACE-18



SURFACE-16



SURFACE-20

REV. NO.	DATE	REVISED BY	DESCRIPTION OF CHANGE
ALTINKAYA Electronic Enclosures & Components			
Customer Name:		Customer Ref.:	
Altinkaya Ref.:		Part Name: RT-209-E	
DRAWN	NAME	DATE	Material:
CHECKED	Y. YESLOZ	23.08.2024	Weight:
DIMENSIONAL TOLERANCES UNLESS OTHERWISE SPECIFIED:			SCALE 1:1 UNIT : mm
[R47.148]	±0.1	±0.1	±0.2 ±0.3 ±0.5