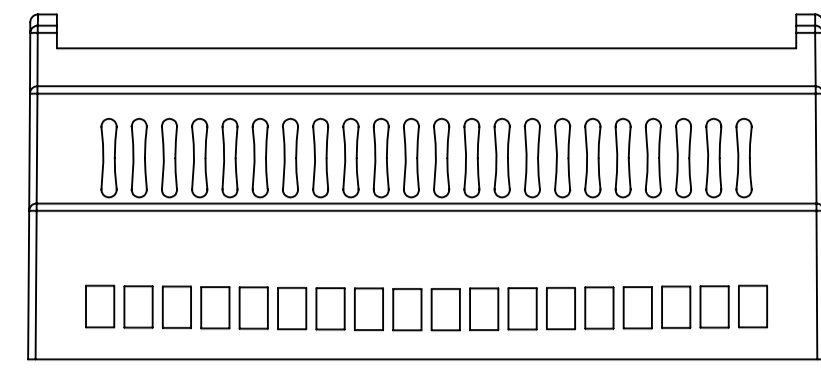
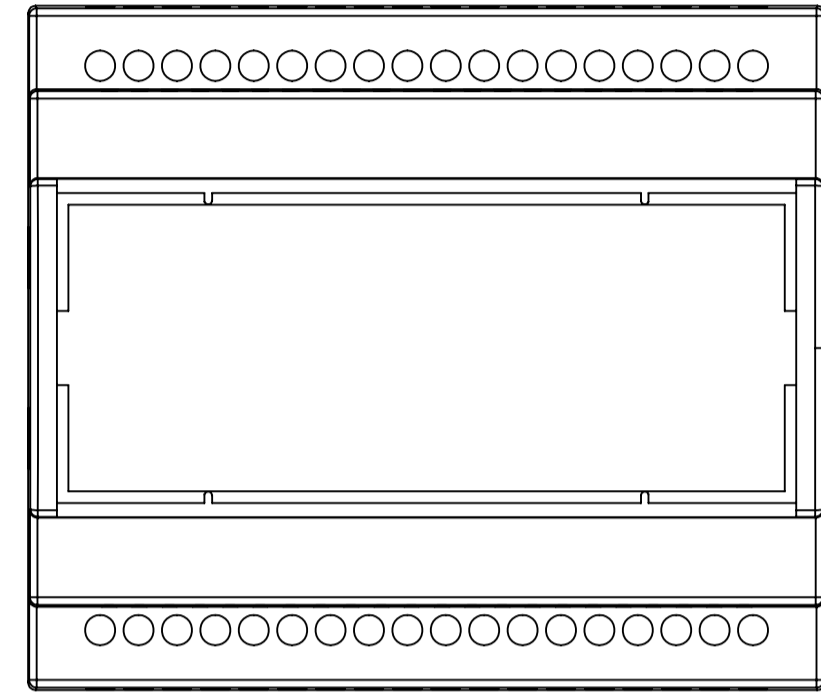


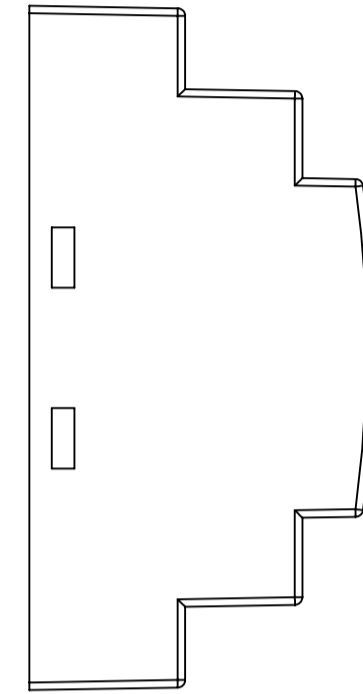
BASE: 6 SURFACE



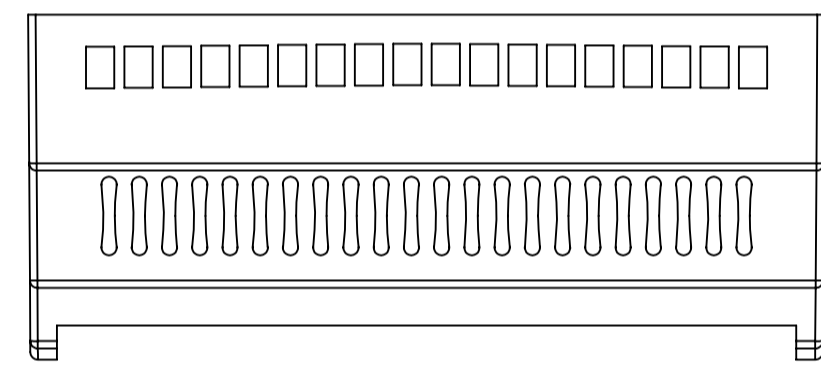
SURFACE-1



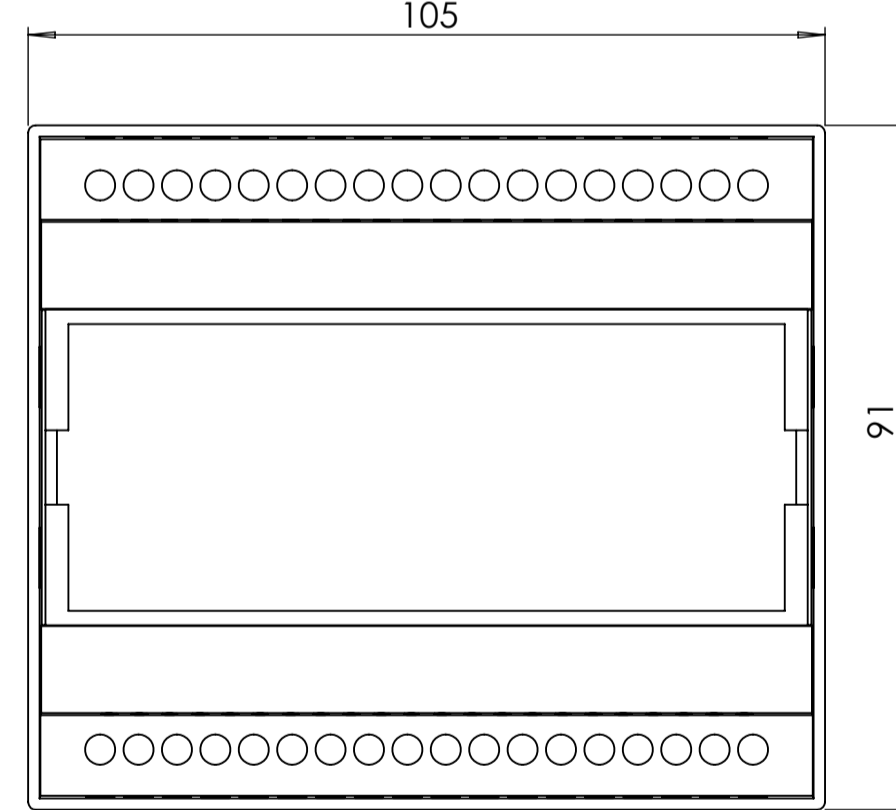
SURFACE-5



SURFACE-4



SURFACE-2

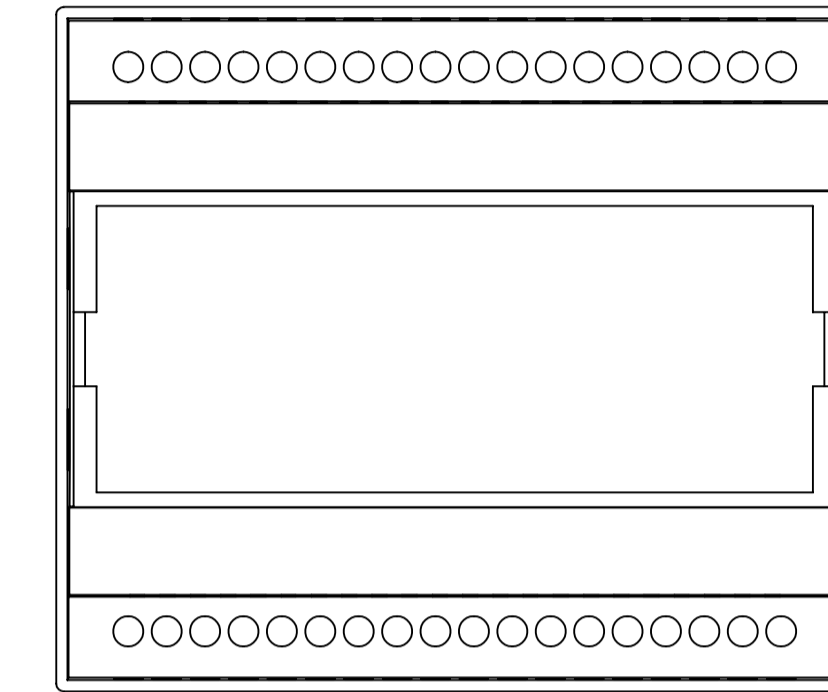


SURFACE-6 (INSIDE)

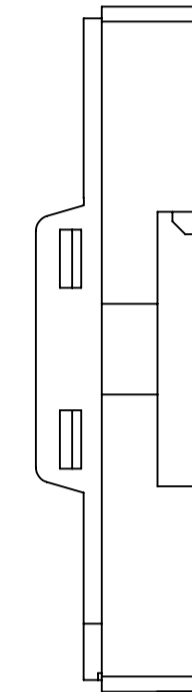
COVER: 6 SURFACE



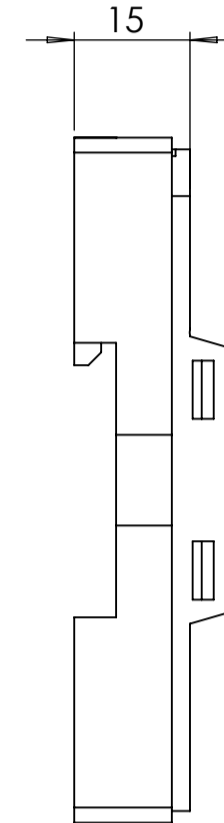
SURFACE-7



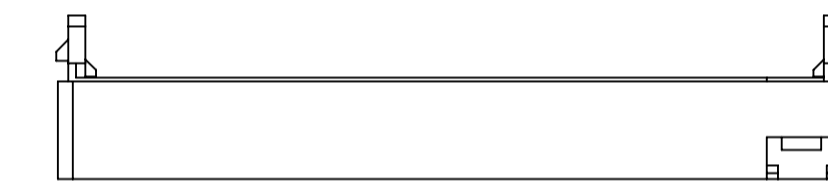
SURFACE-11



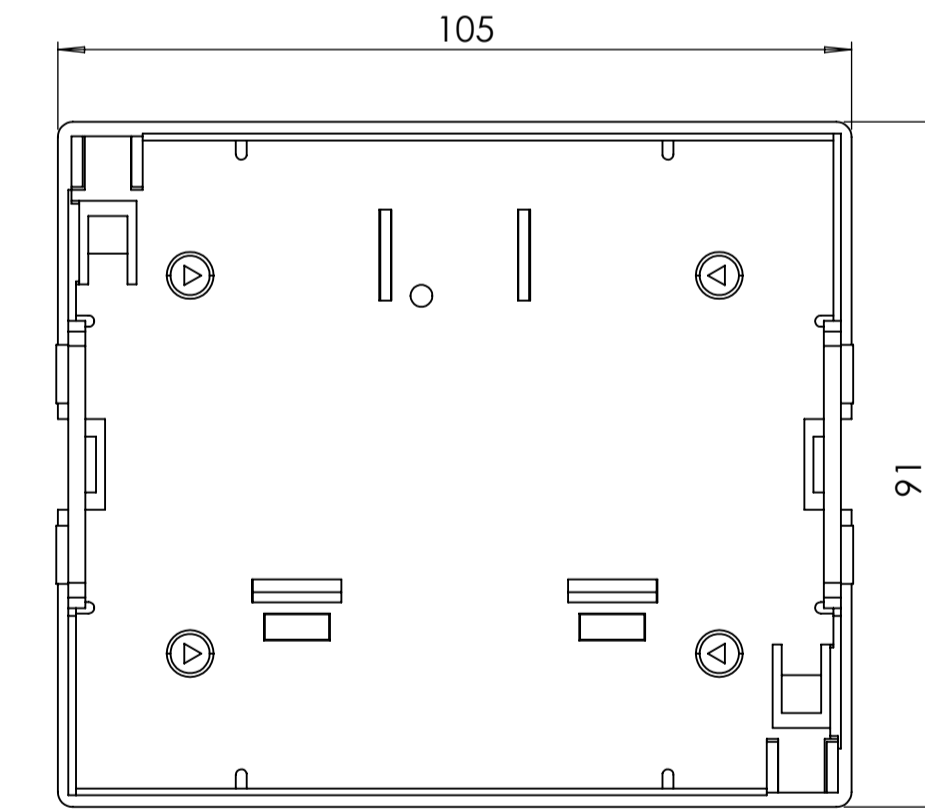
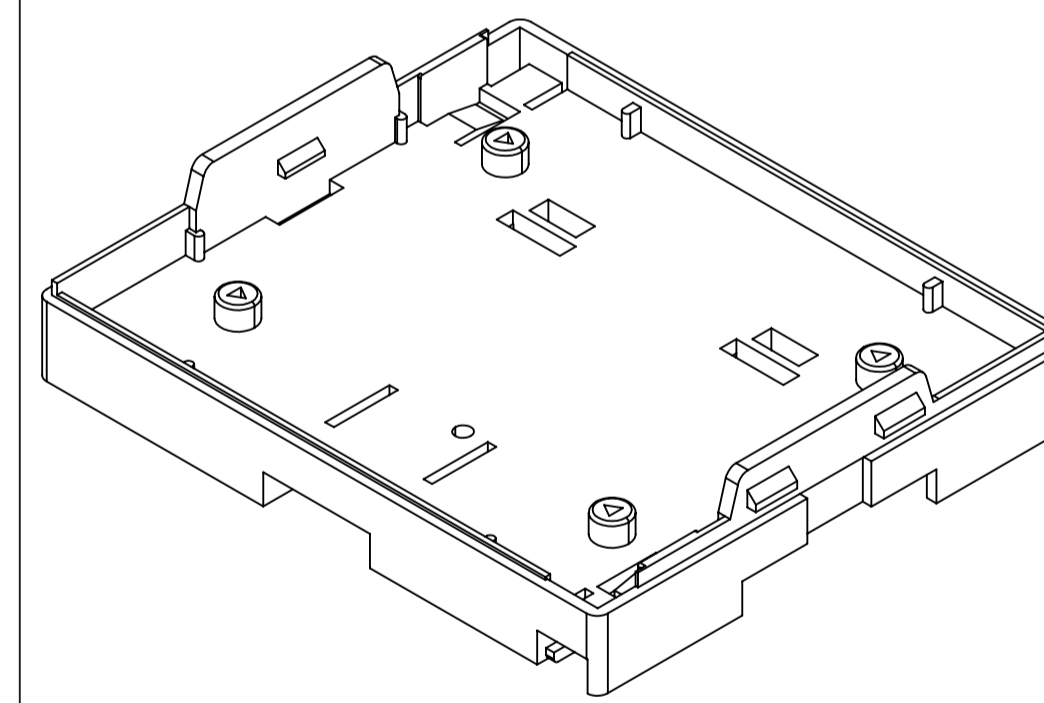
SURFACE-10



SURFACE-9

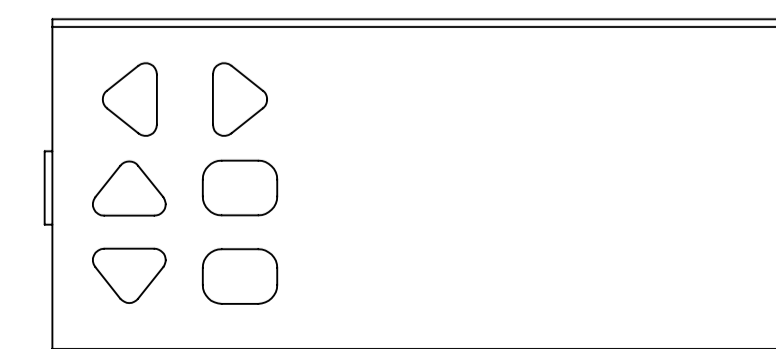
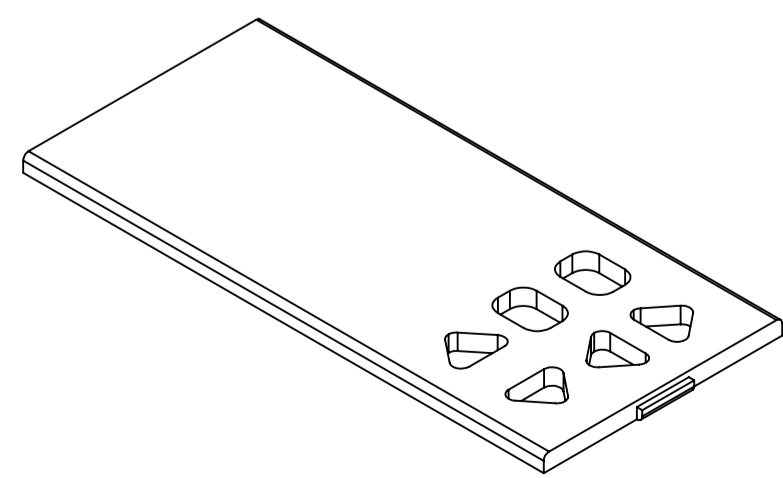


SURFACE-8

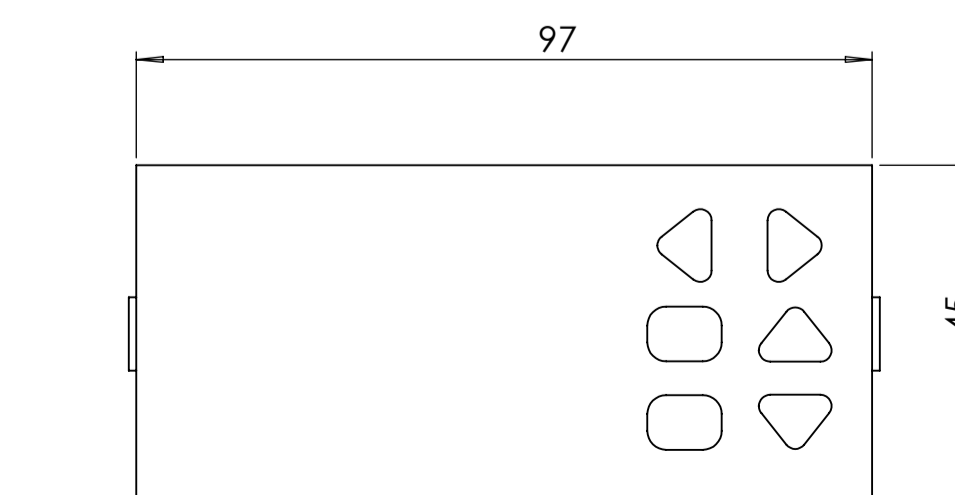


SURFACE-12 (INSIDE)

PANEL: 2 SURFACE



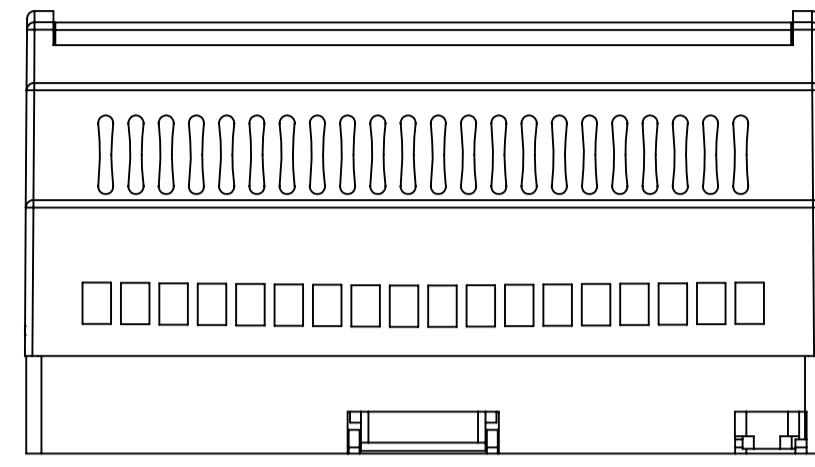
SURFACE-13



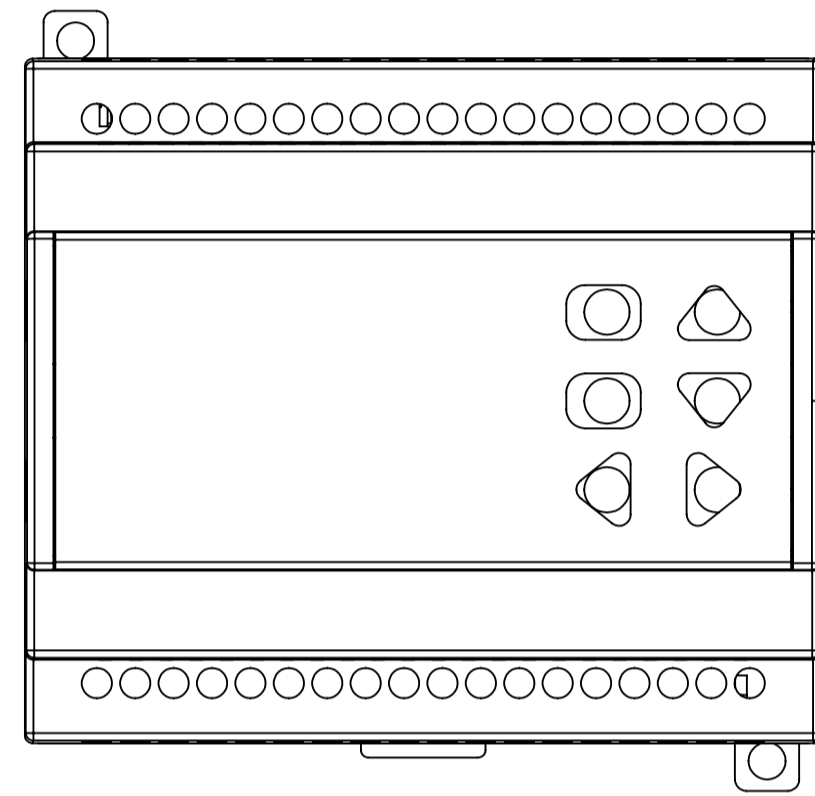
SURFACE-14 (INSIDE)

REV. NO.	DATE	REVISED BY	DESCRIPTION OF CHANGE
			www.altinkaya.com
Customer Name:		Customer Ref.:	
Altinkaya Ref.:		Part Name: RT-204-C	
DRAWN	NAME	DATE	Material
CHECKED	Y.YEL	4.09.2024	Weight:
DIMENSIONAL TOLERANCES UNLESS OTHERWISE SPECIFIED:			SCALE 1:1 UNIT : mm
	±0.1	±0.1	±0.2
	±0.1	±0.1	±0.3
			±0.5
DIMENSIONAL TOLERANCES UNLESS OTHERWISE SPECIFIED:			Dimension(mm)
			30-120mm
			120-400mm
			m(medium)
SHEET 1 OF 2			A1

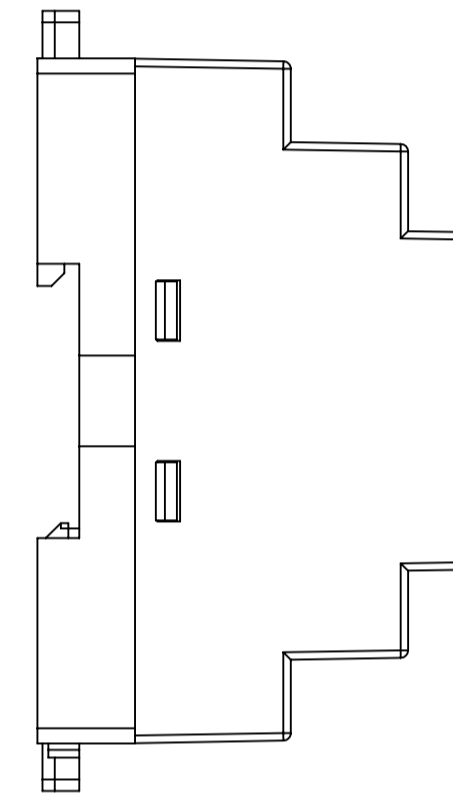
RT-206-C IF MACHINED TOGETHER



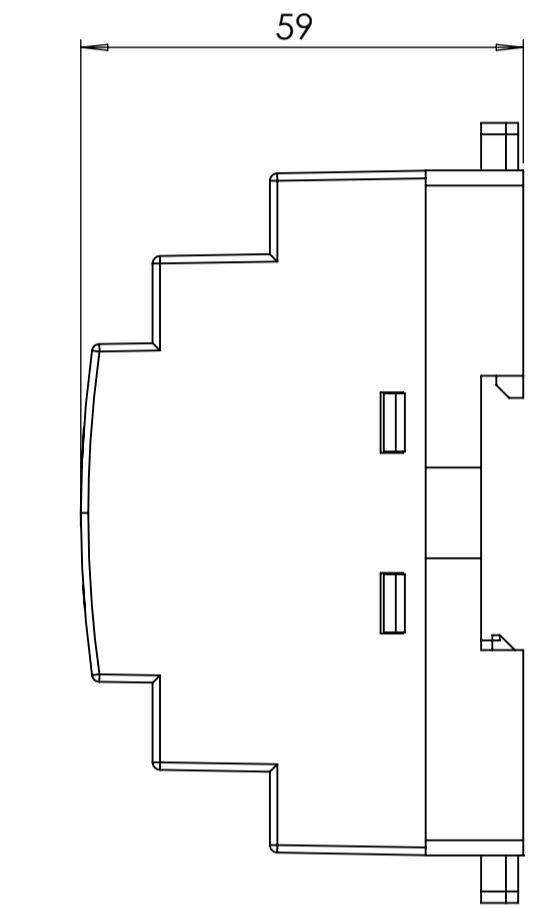
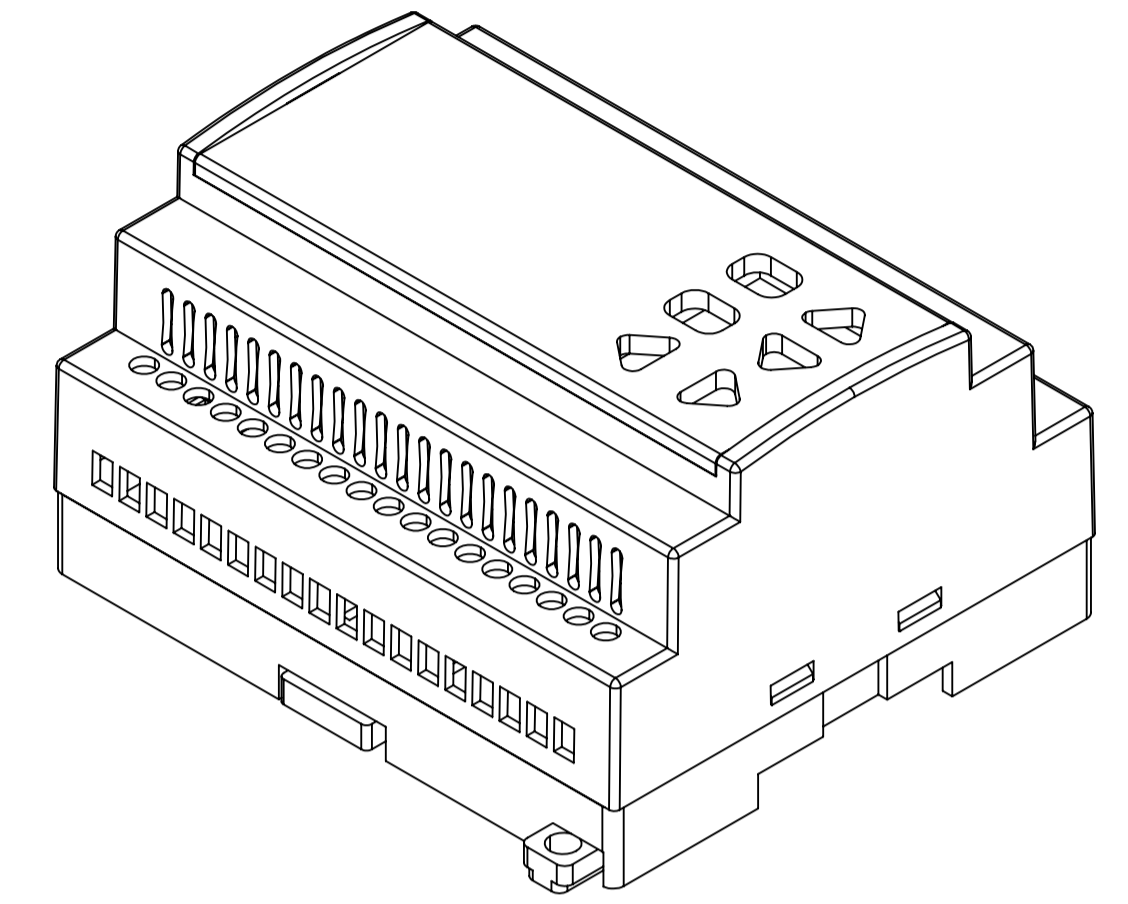
SURFACE-15



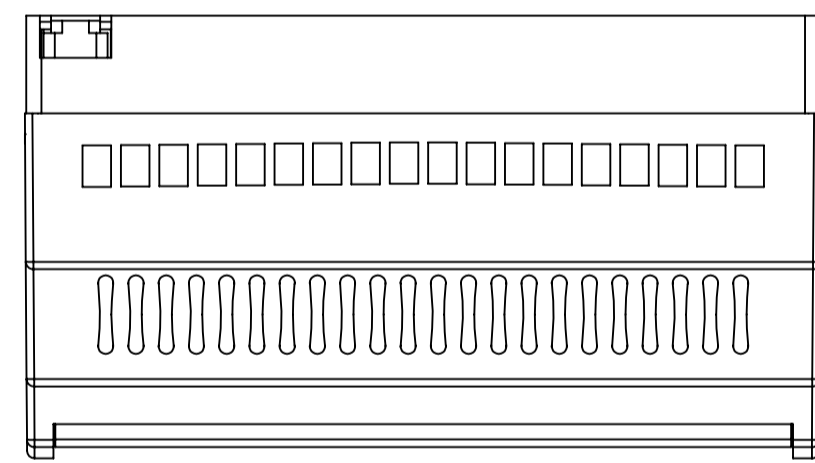
SURFACE-19



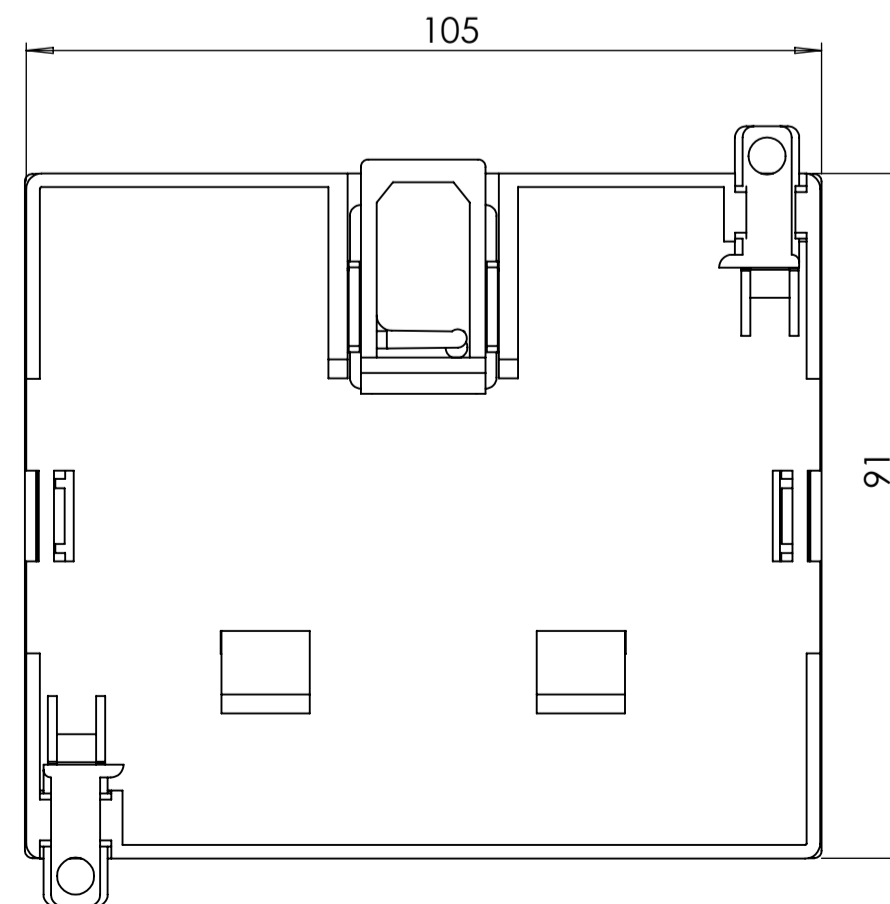
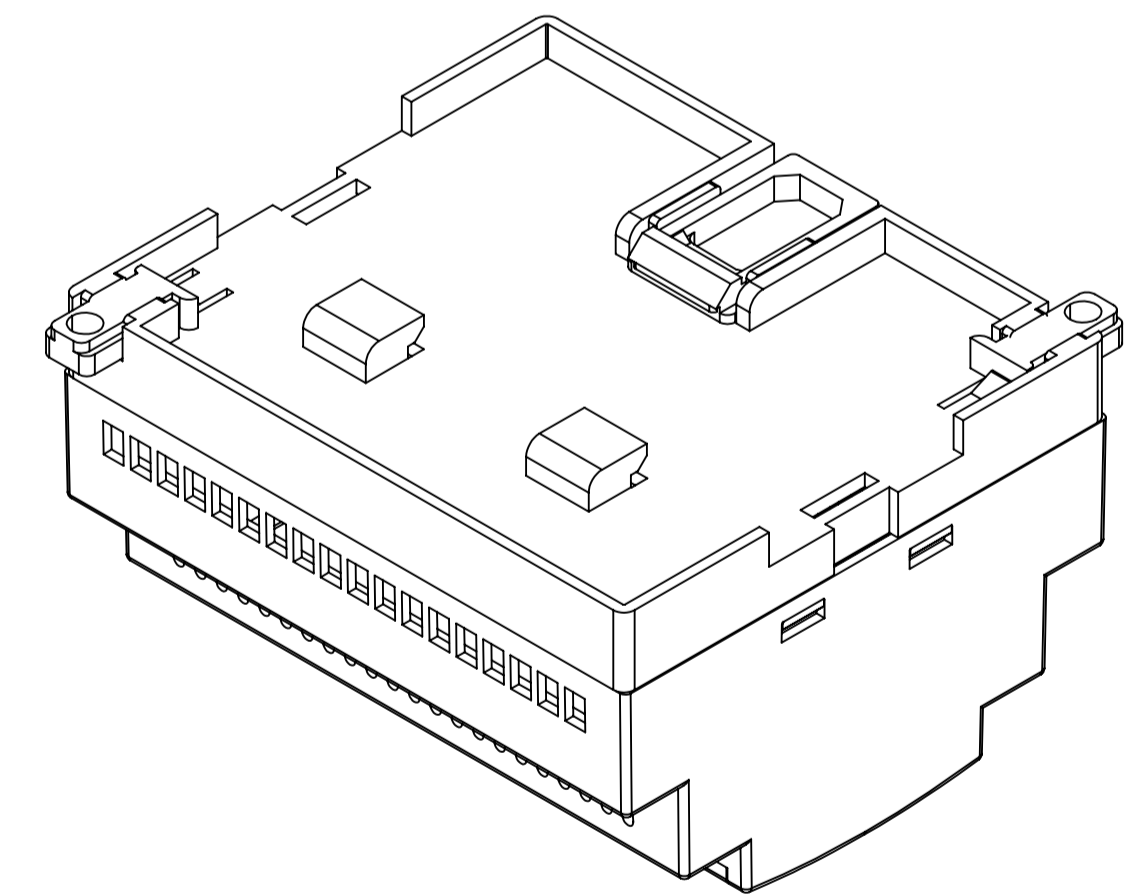
SURFACE-18



SURFACE-17



SURFACE-16



SURFACE-20

REV. NO.	DATE	REVISED BY	DESCRIPTION OF CHANGE
ALTINKAYA Electronic Enclosures & Components			www.altinkaya.com
Customer Name:		Customer Ref.:	
Altinkaya Ref.:		Part Name: RT-206-C	
DRAWN	NAME	DATE	Drawn From:
CHECKED	Y. YESILOZ	4.09.2024	Material:
DIMENSIONAL TOLERANCES UNLESS OTHERWISE SPECIFIED:		Weight:	SCALE 1:1 UNIT : mm
(DIN7148)	±0.1	±0.1	±0.2
	±0.1	±0.2	±0.3
		±0.5	±0.5
			Dimension(mm)
			30-120mm
			120-400mm
			m(medium)