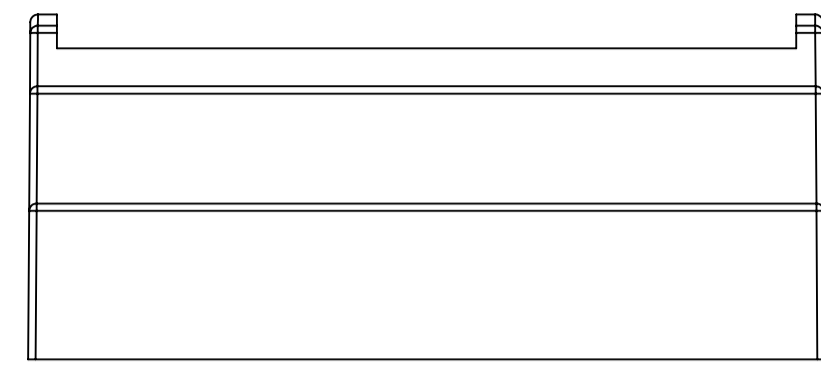
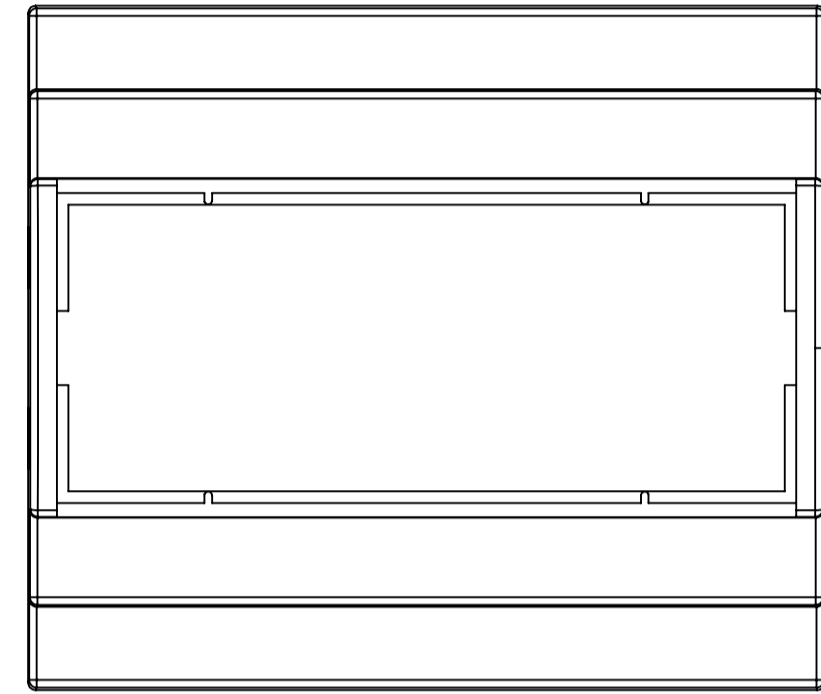


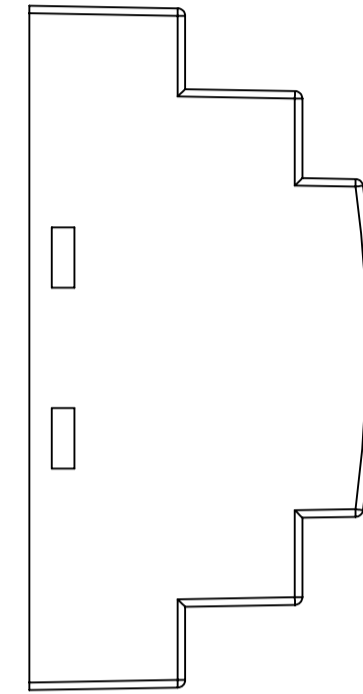
**BASE: 6 SURFACE**



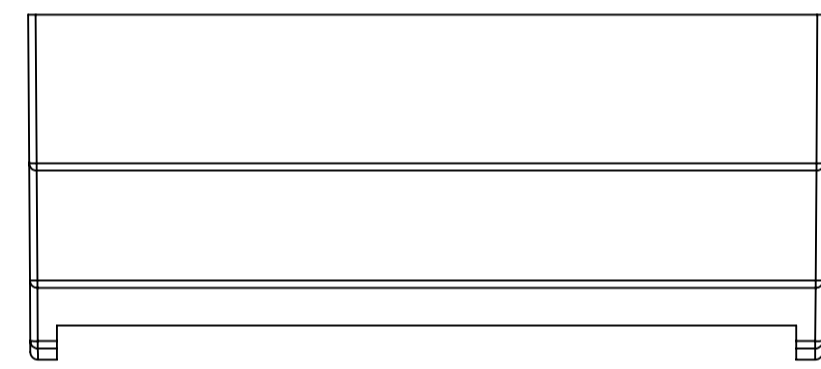
SURFACE-1



SURFACE-5

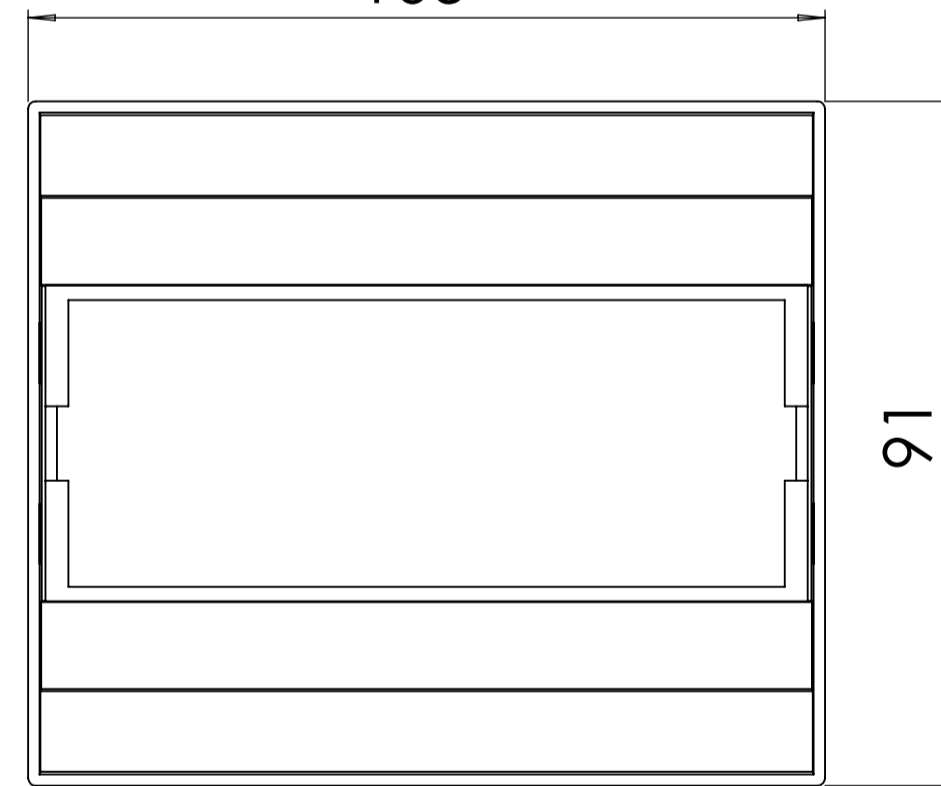


SURFACE-4



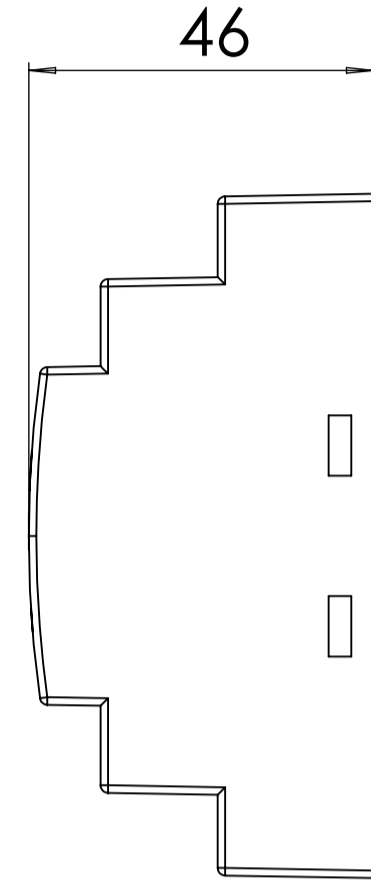
SURFACE-2

105



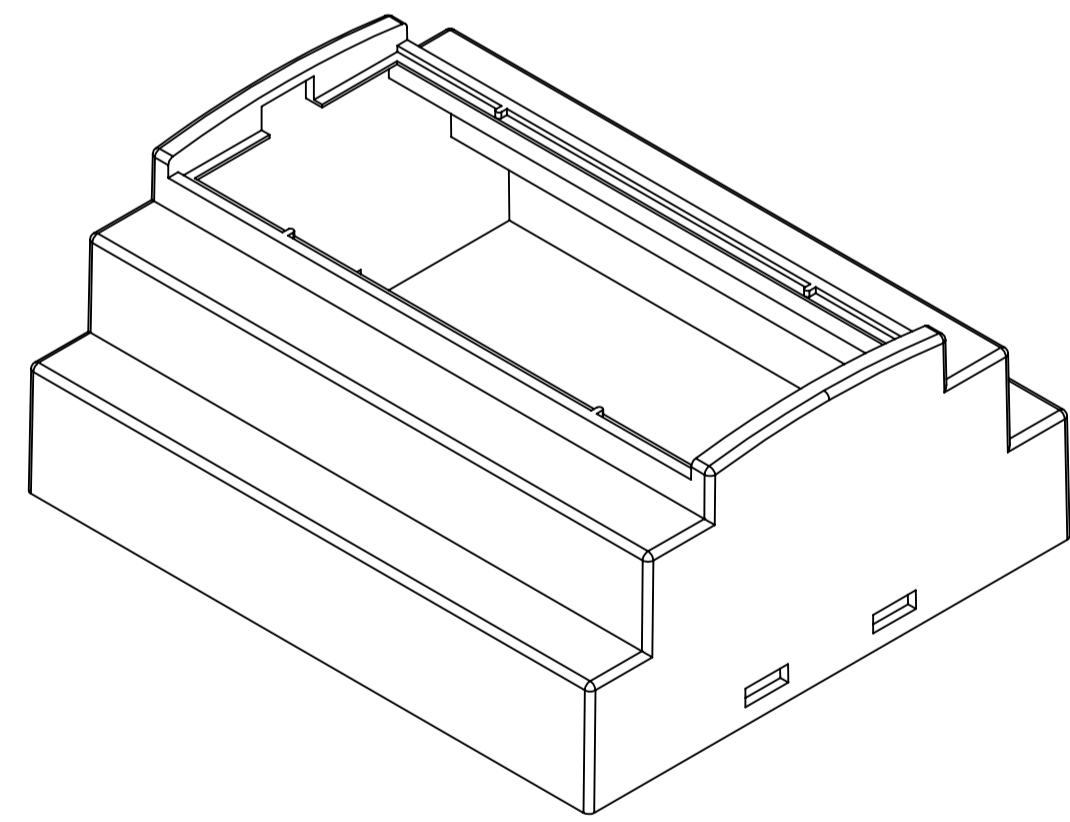
SURFACE-6 (INSIDE)

91



SURFACE-3

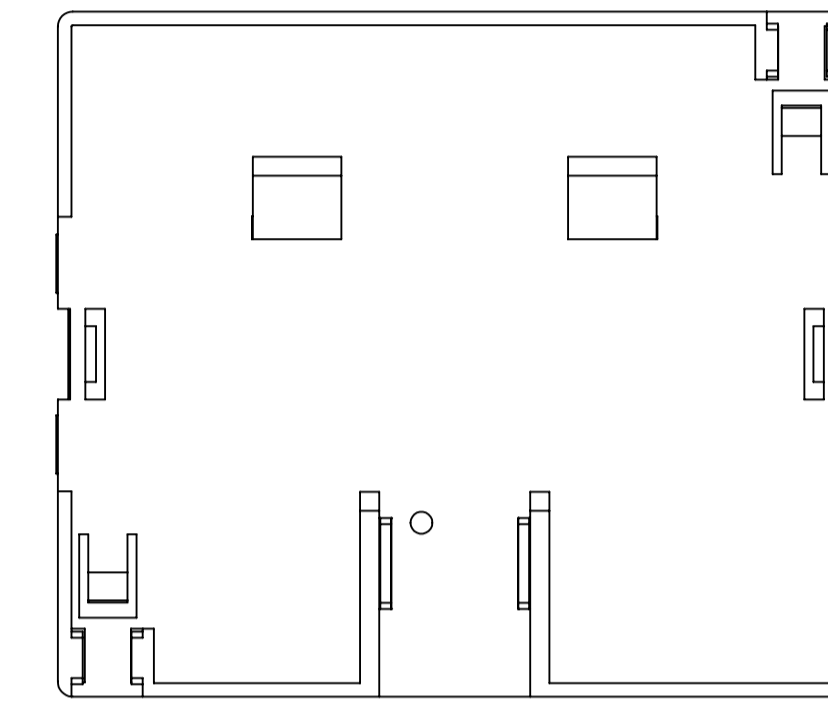
46



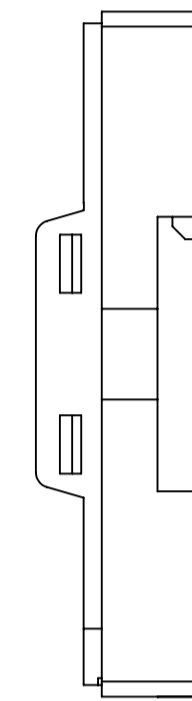
**COVER: 6 SURFACE**



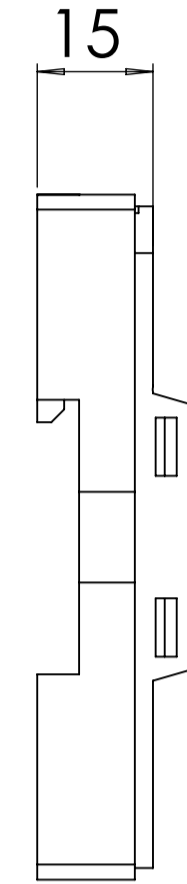
SURFACE-7



SURFACE-11

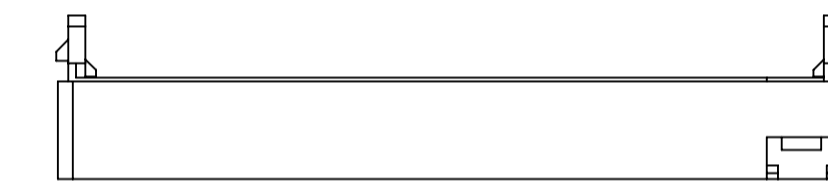


SURFACE-10



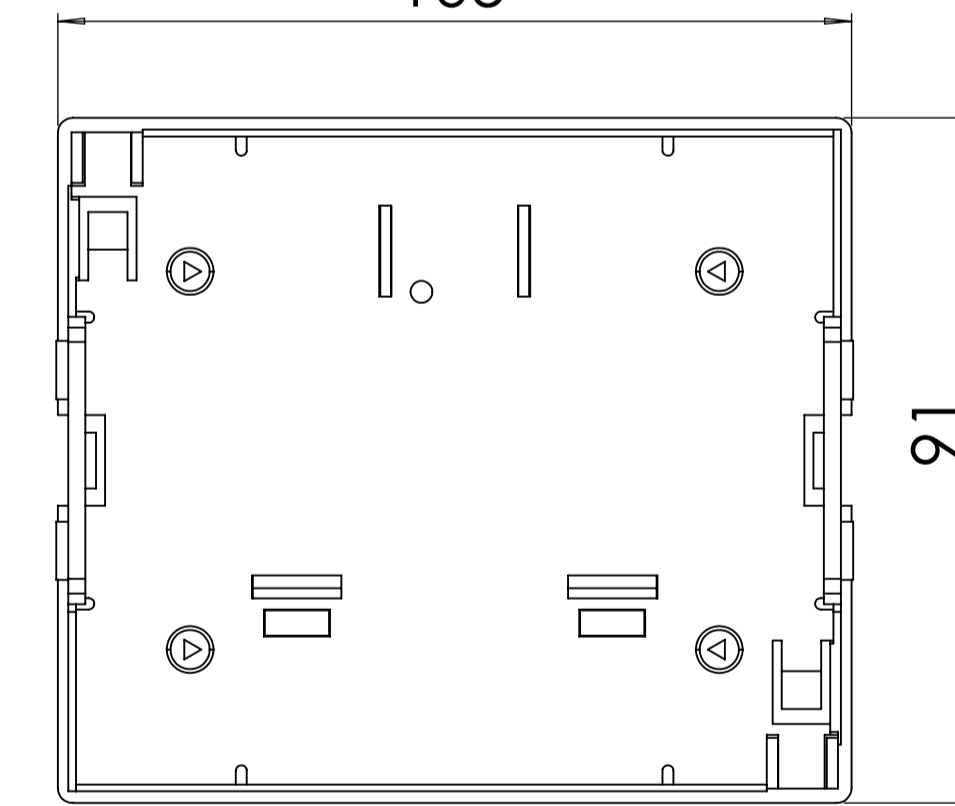
SURFACE-9

15



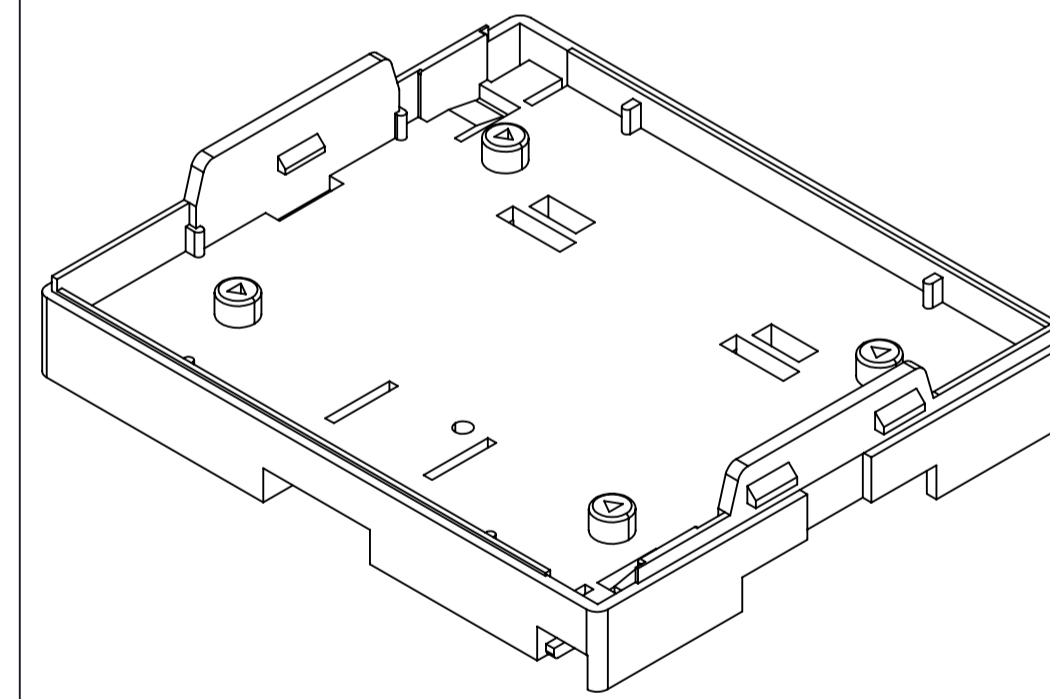
SURFACE-8

105

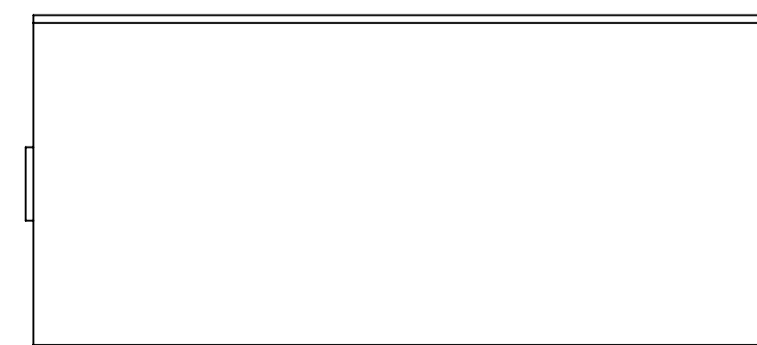
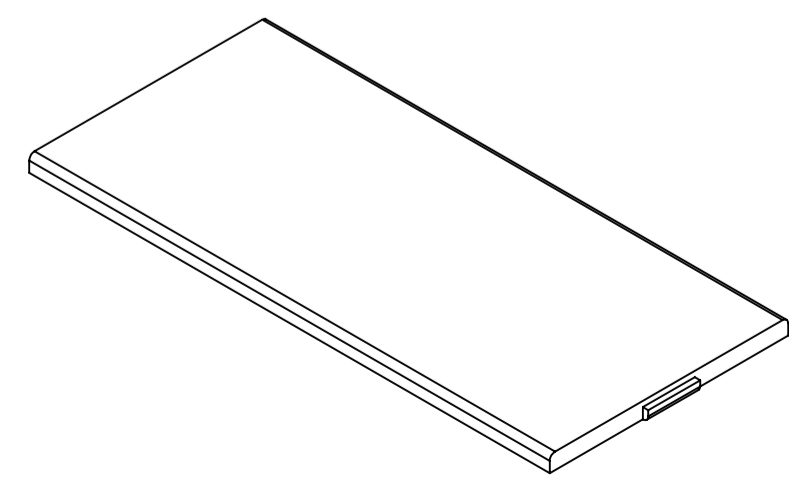


SURFACE-12 (INSIDE)

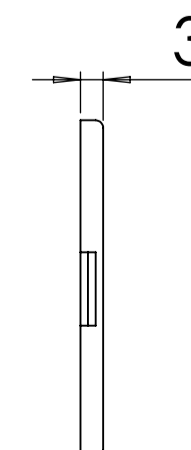
91



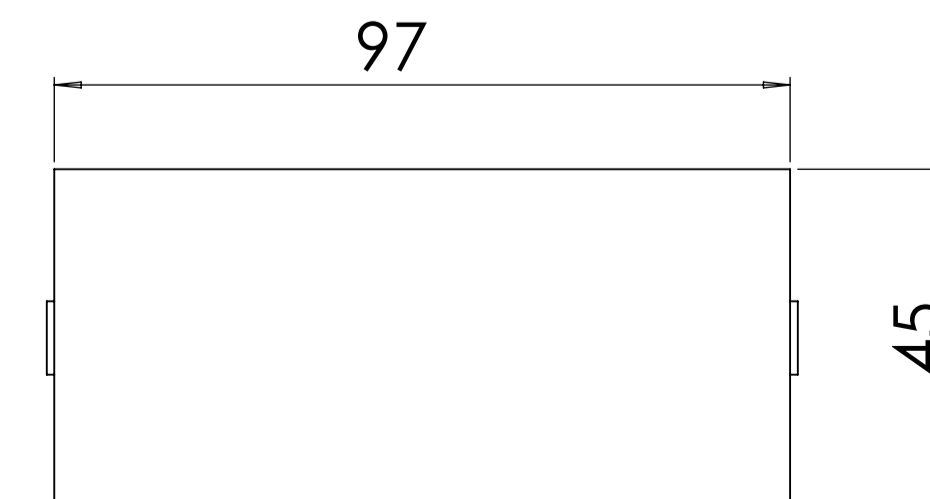
**PANEL: 2 SURFACE**



SURFACE-13



3



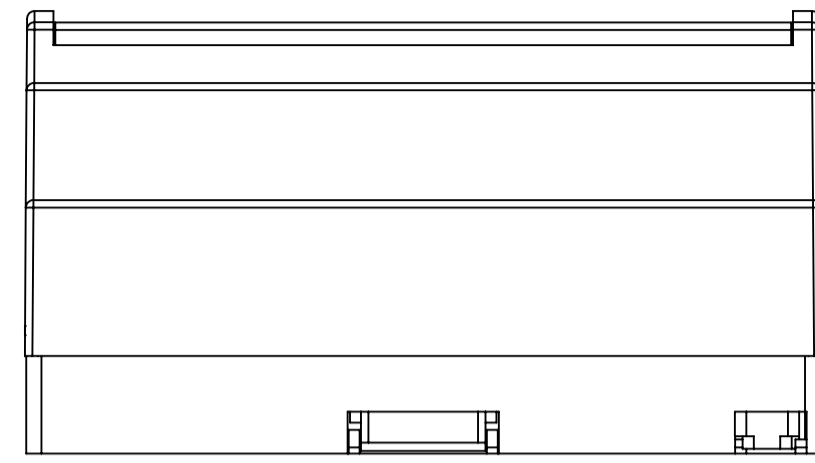
SURFACE-14 (INSIDE)

97

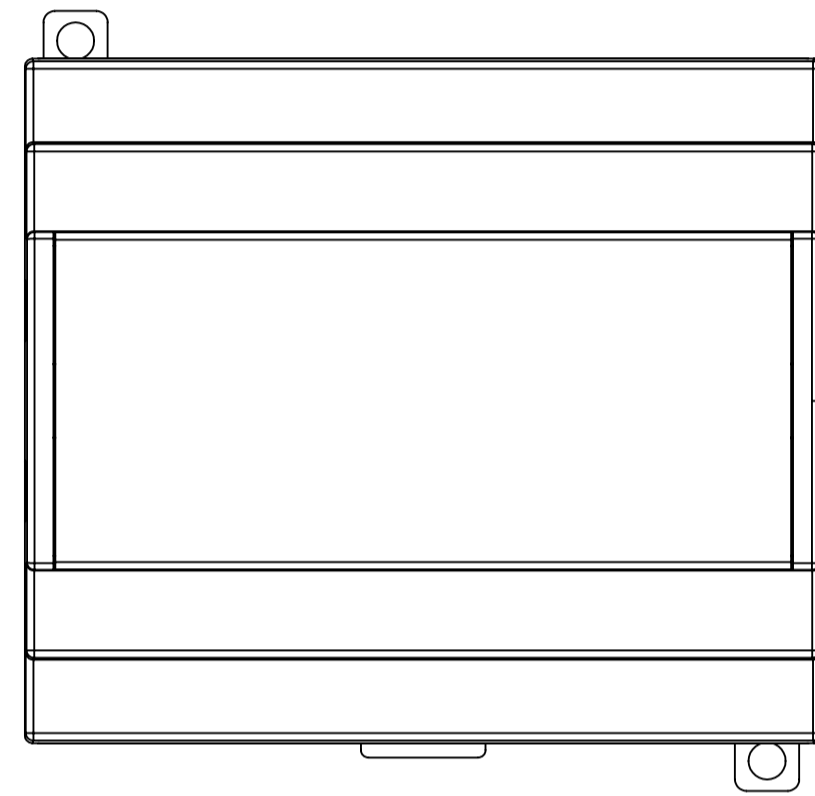
45

REV. NO.	DATE	REVISED BY	DESCRIPTION OF CHANGE
			www.altinkaya.com
Customer Name:		Customer Ref.:	
Altinkaya Ref.:		Part Name: RT-204-A	
DRAWN	NAME	DATE	Material:
CHECKED	Y. YEL	4.09.2024	Weight:
DIMENSIONAL TOLERANCES UNLESS OTHERWISE SPECIFIED:			SCALE 1:1 UNIT : mm
(R47148)	±0.1	±0.1	±0.2 ±0.3 ±0.5

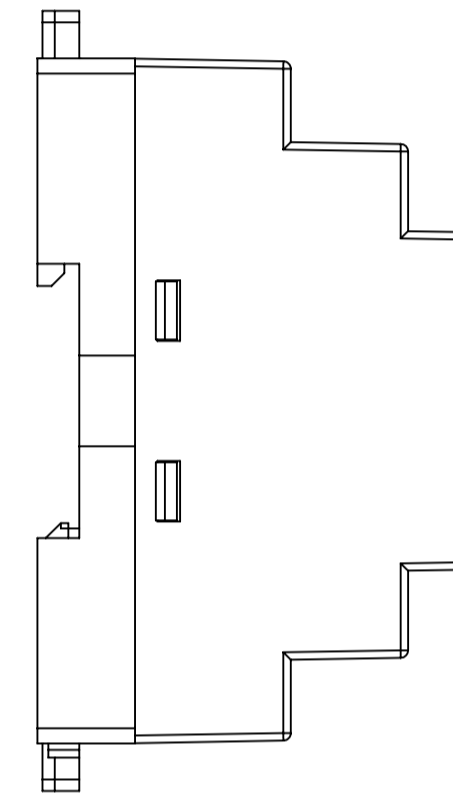
# RT-206-A IF MACHINED TOGETHER



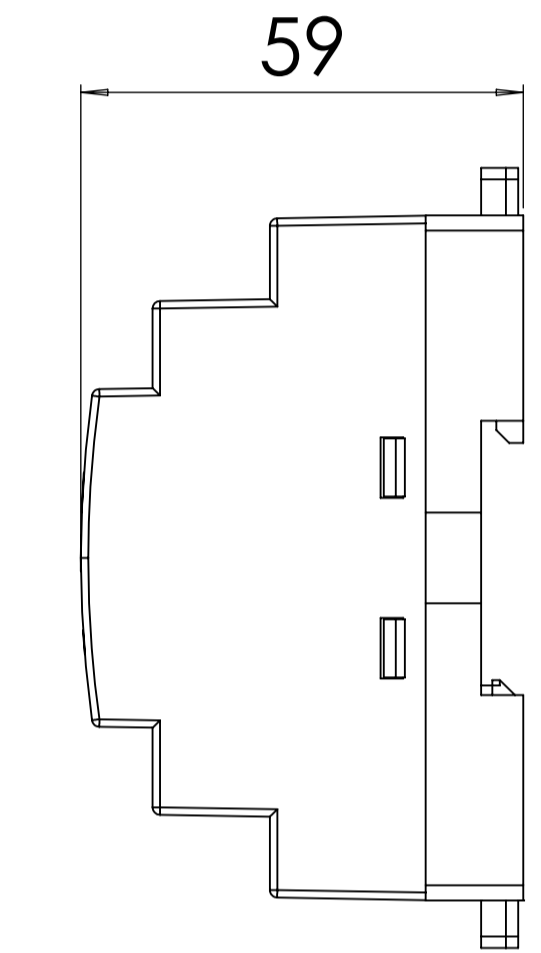
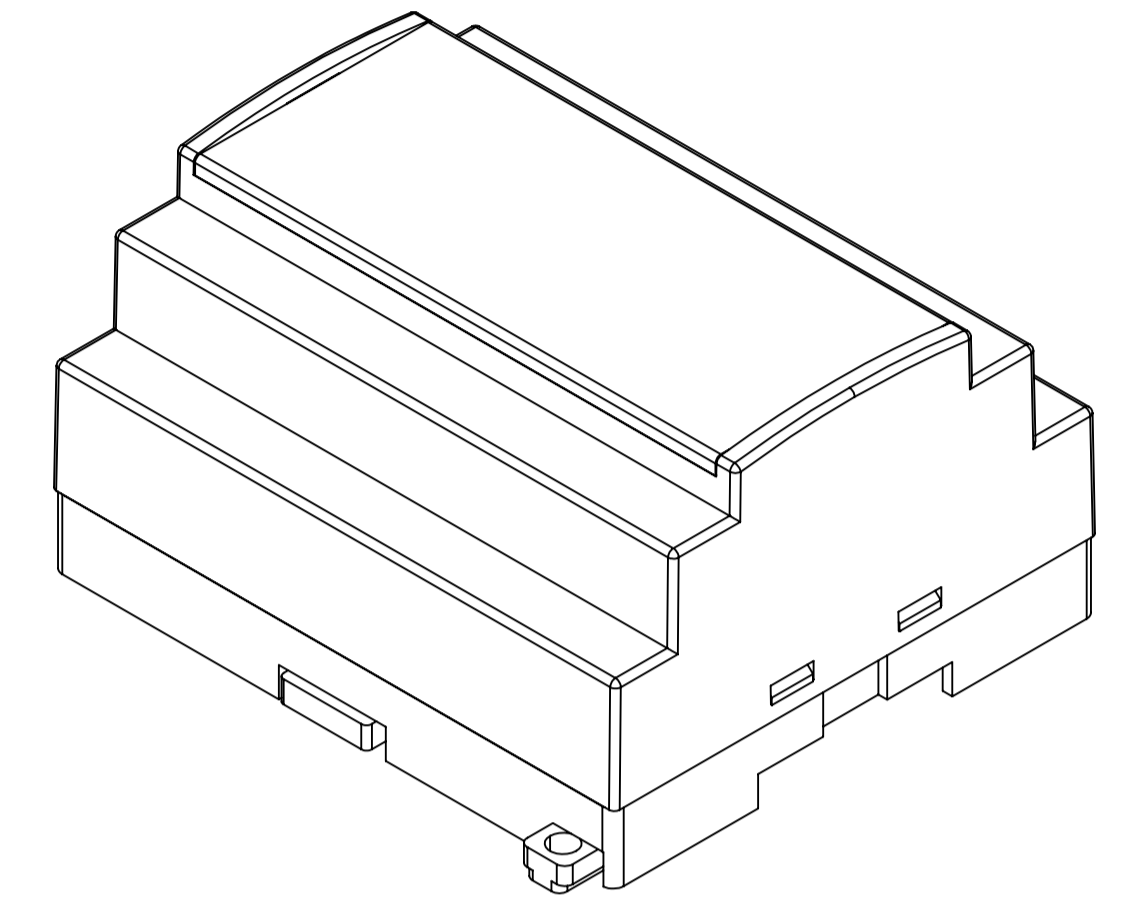
SURFACE-15



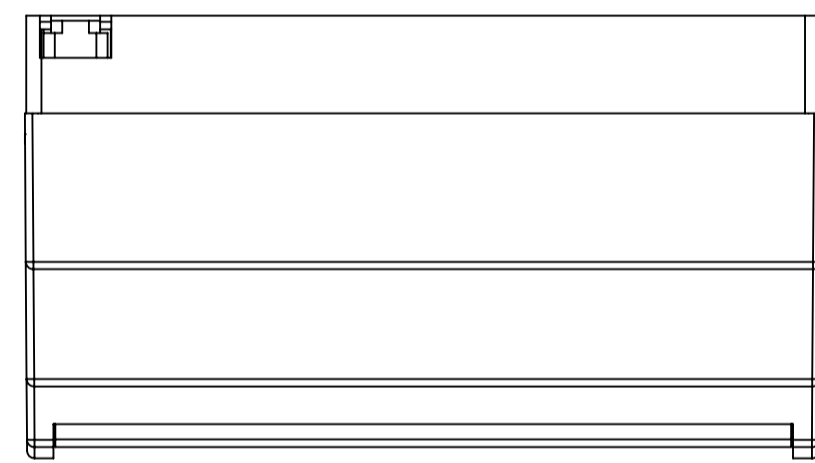
SURFACE-19



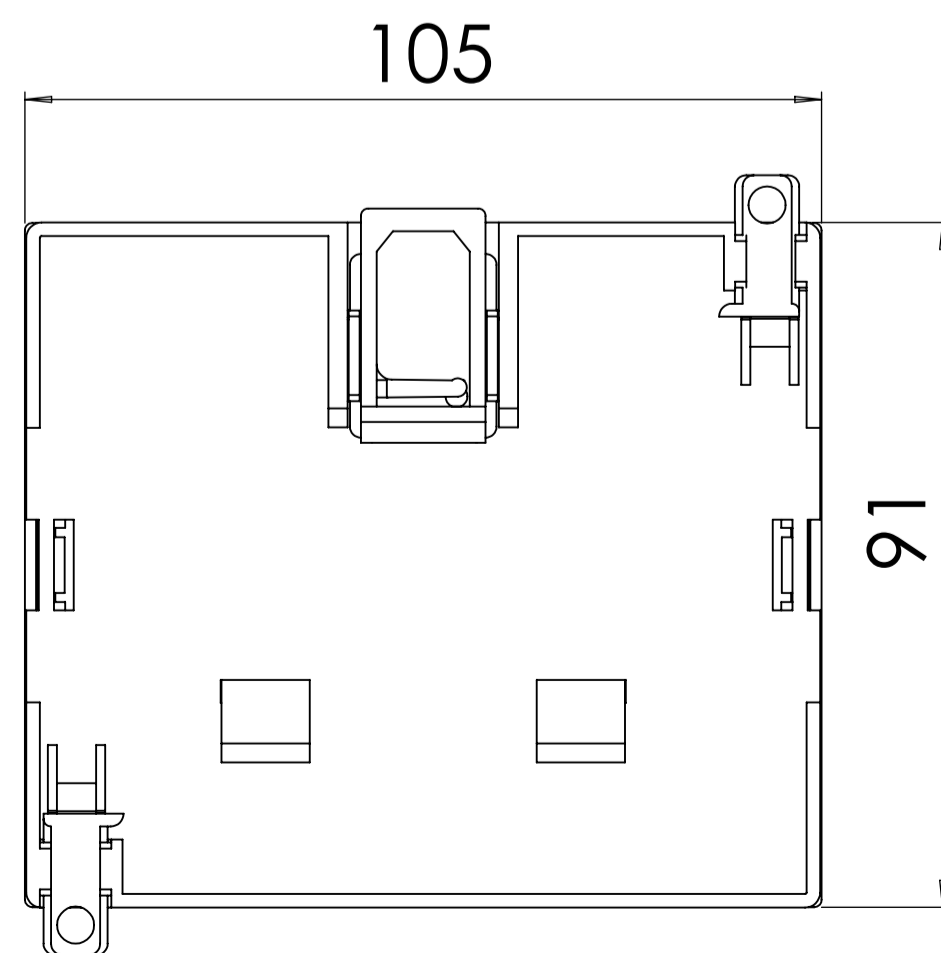
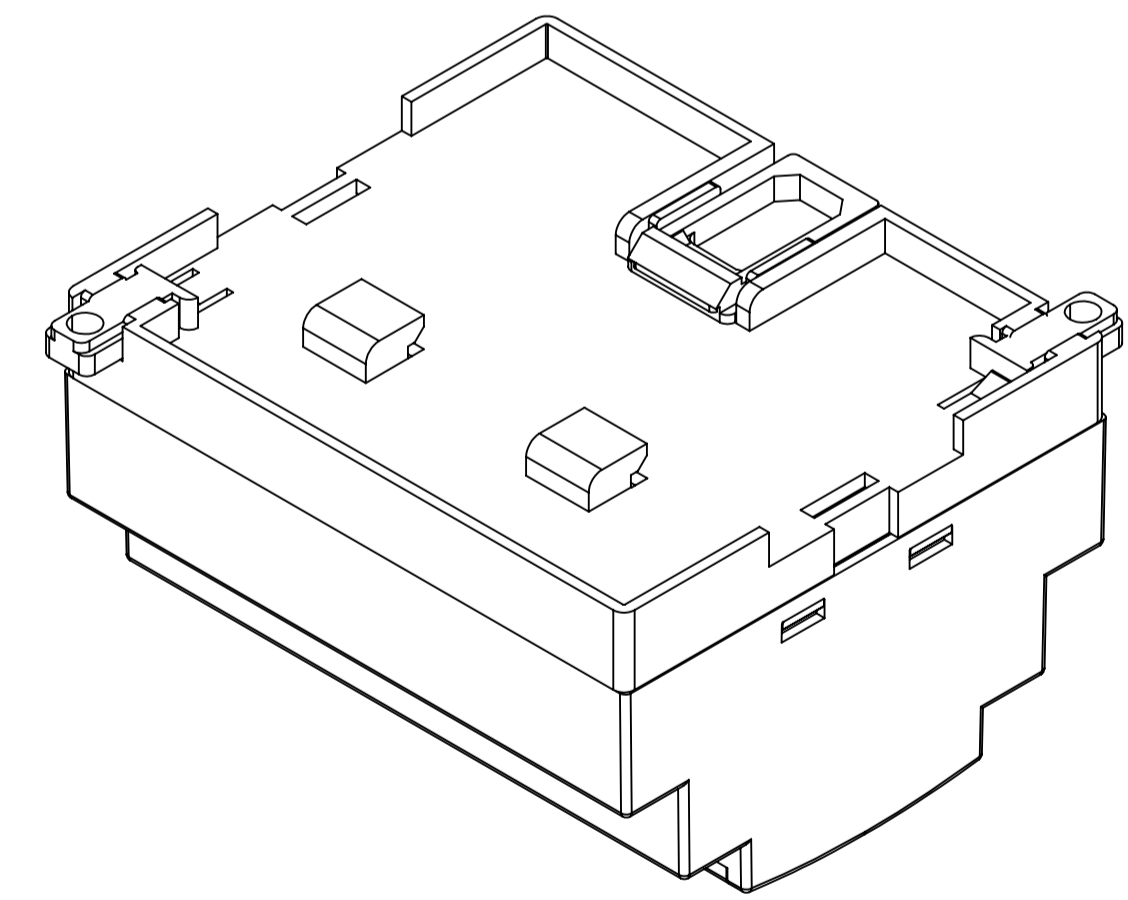
SURFACE-18



SURFACE-17



SURFACE-16



SURFACE-20

REV. NO.	DATE	REVISED BY	DESCRIPTION OF CHANGE
<b>ALTINKAYA</b> Electronic Enclosures & Components			
Customer Name:		Customer Ref.:	
Altinkaya Ref.:		Part Name: RT-206-A	
DRAWN	NAME	DATE	Drawn From:
CHECKED	Y. YESLOZ	4.09.2024	Material:
DIMENSIONAL TOLERANCES UNLESS OTHERWISE SPECIFIED:			Weight:
(DIN7148)	±0.1	±0.1	±0.2
	3-6mm	6-30mm	30-120mm
		±0.3	120-400mm
		±0.5	Dimension(mm)
			m(medium)
SCALE 1:1			UNIT : mm
SHEET 2 OF 2			A1