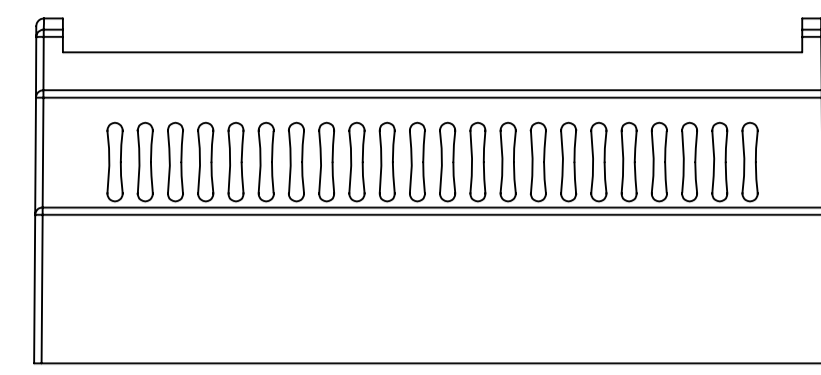
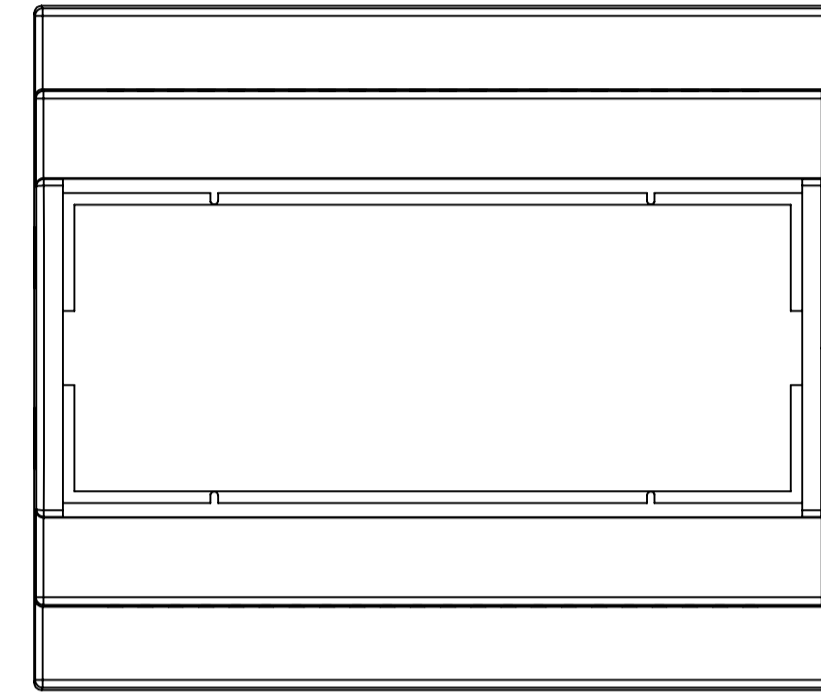


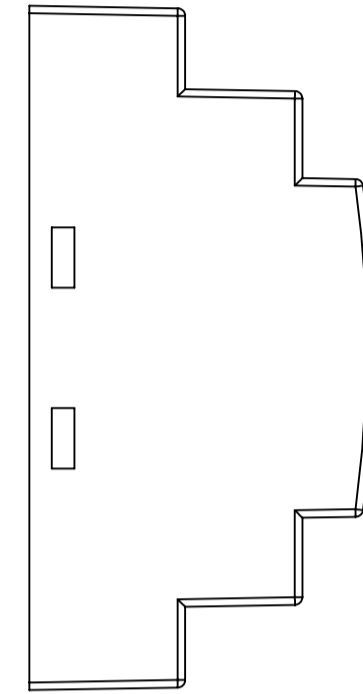
BASE: 6 SURFACE



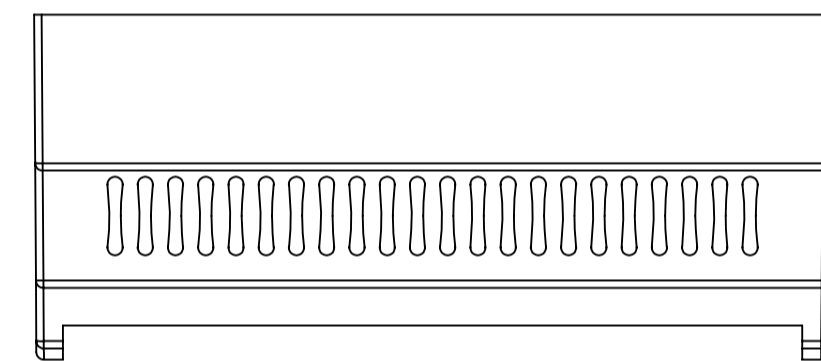
SURFACE-1



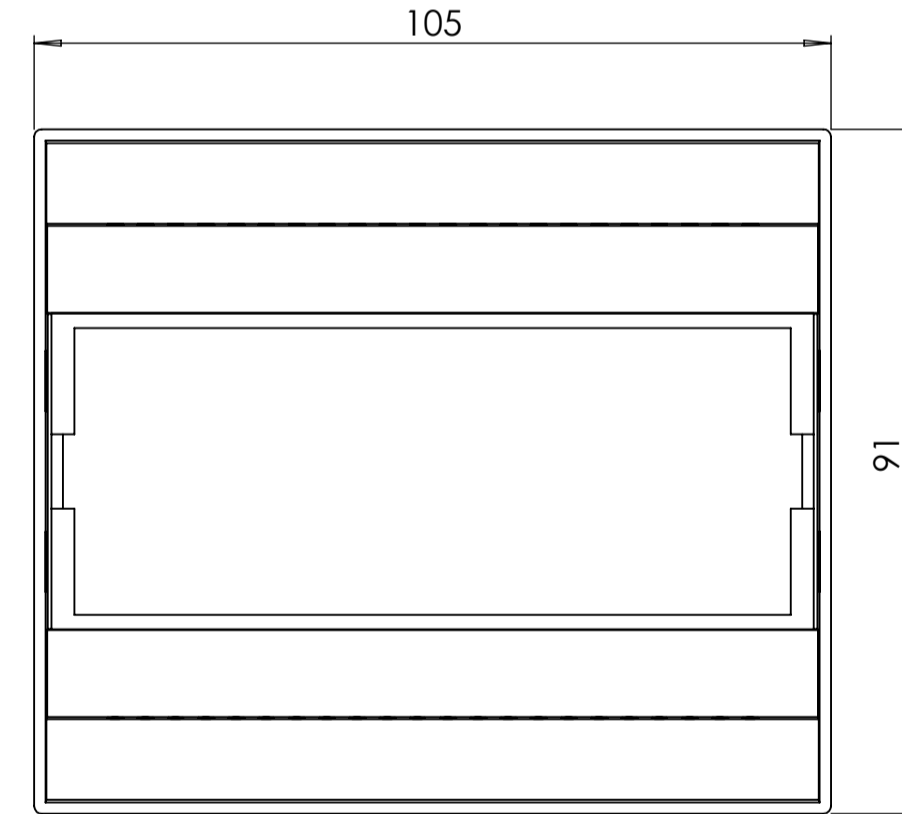
SURFACE-5



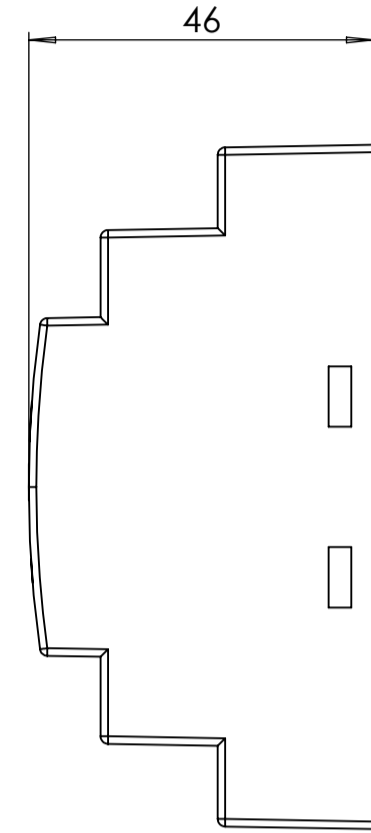
SURFACE-4



SURFACE-2



SURFACE-6 (INSIDE)

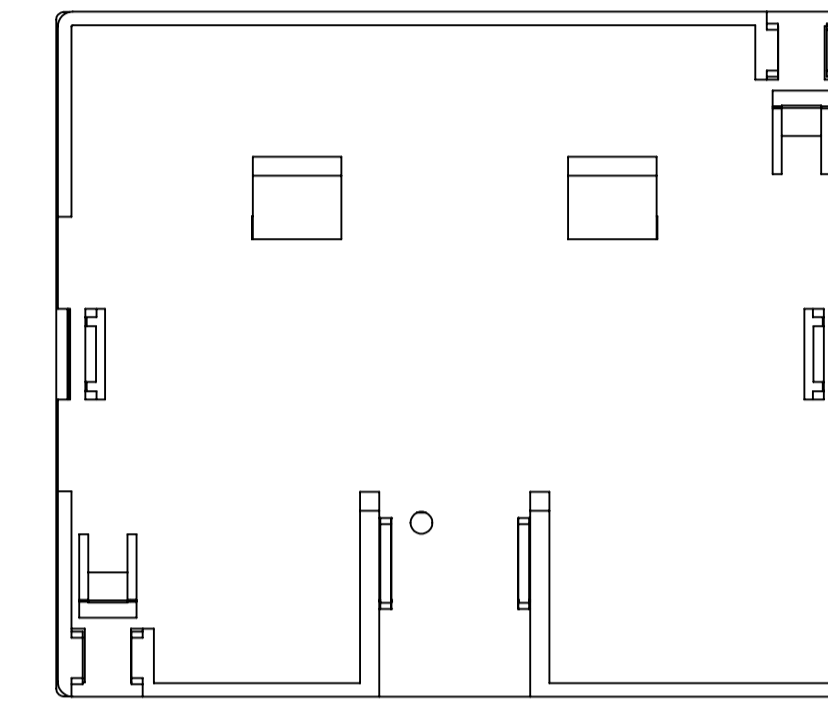


SURFACE-3

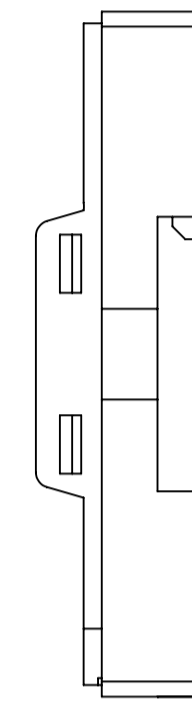
COVER: 6 SURFACE



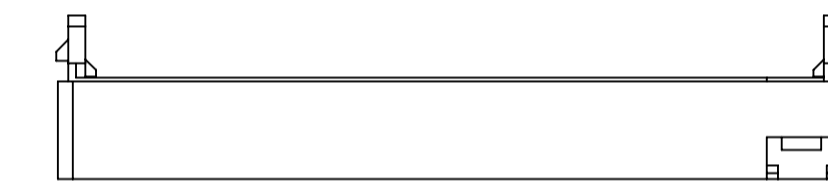
SURFACE-7



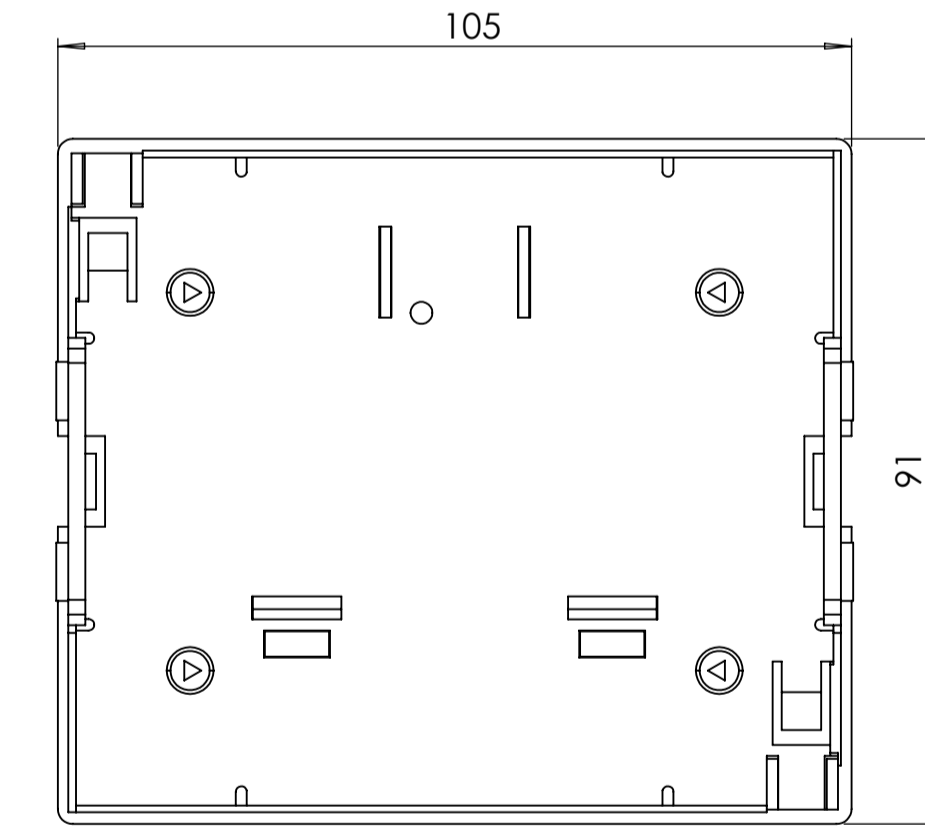
SURFACE-11



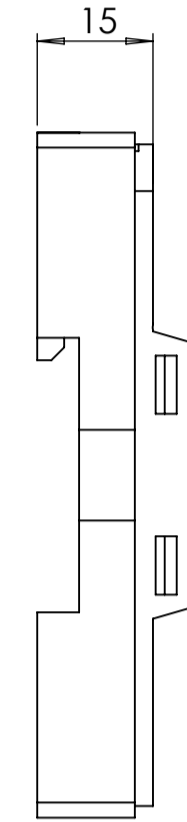
SURFACE-10



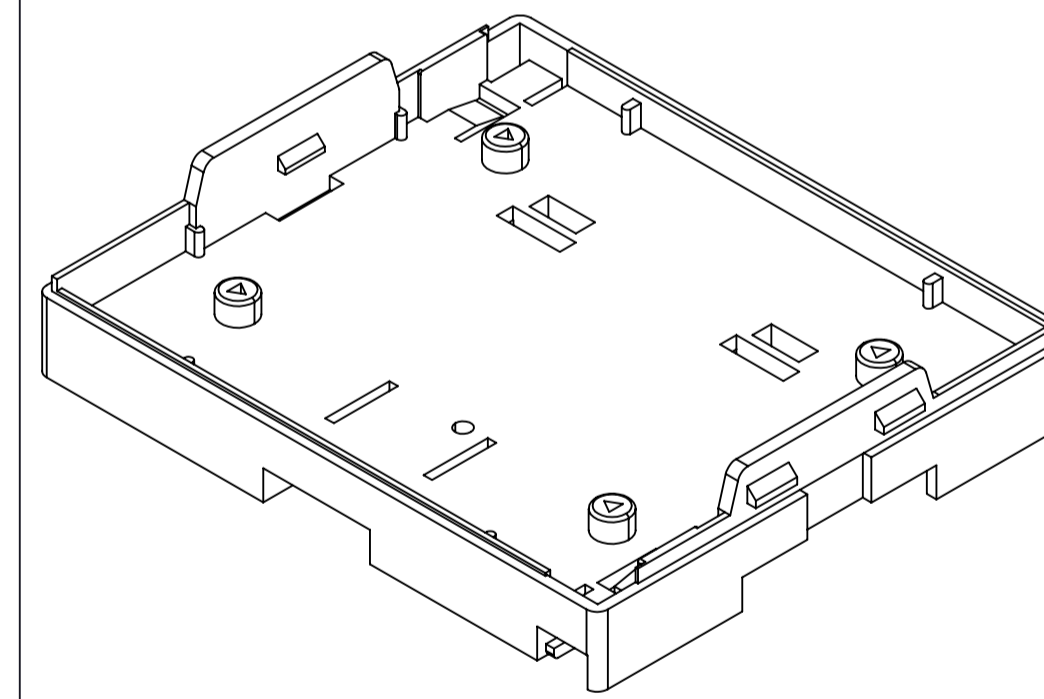
SURFACE-8



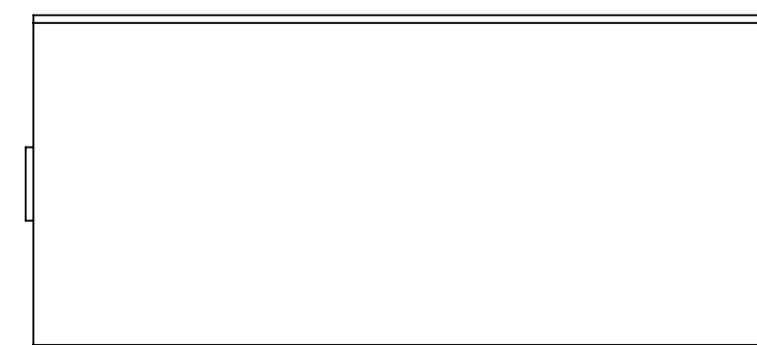
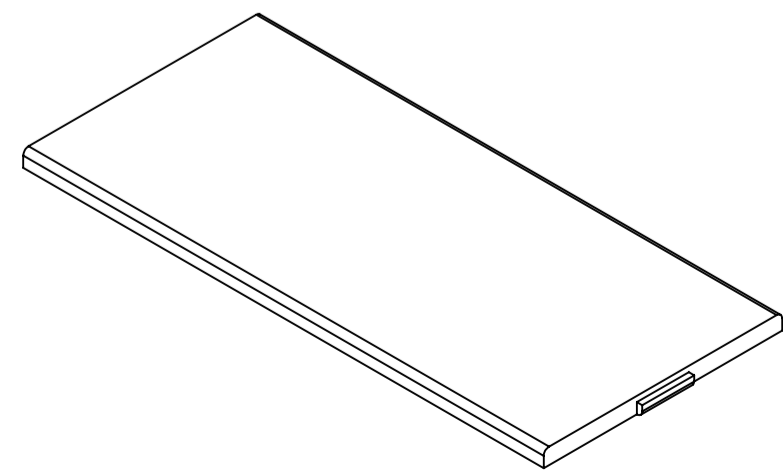
SURFACE-12 (INSIDE)



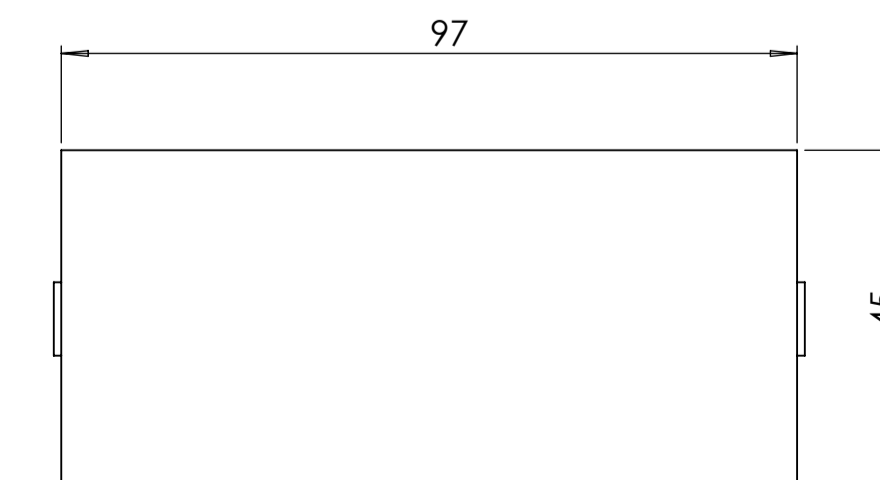
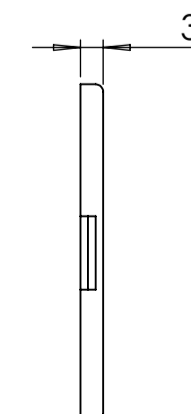
SURFACE-9



PANEL: 2 SURFACE



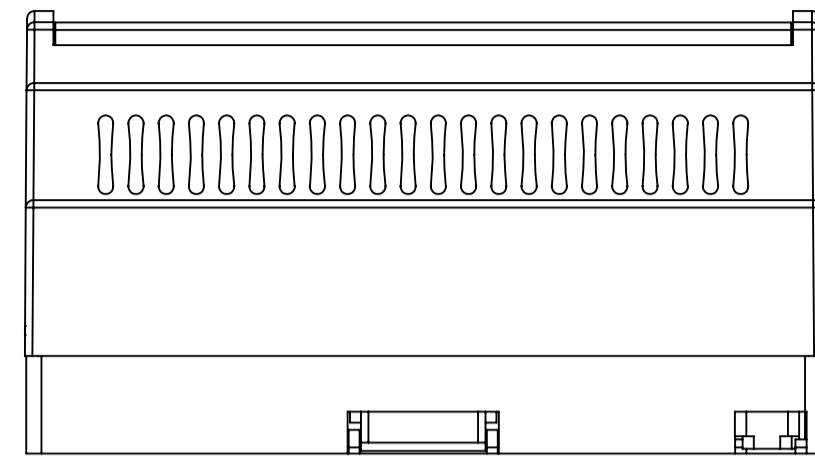
SURFACE-13



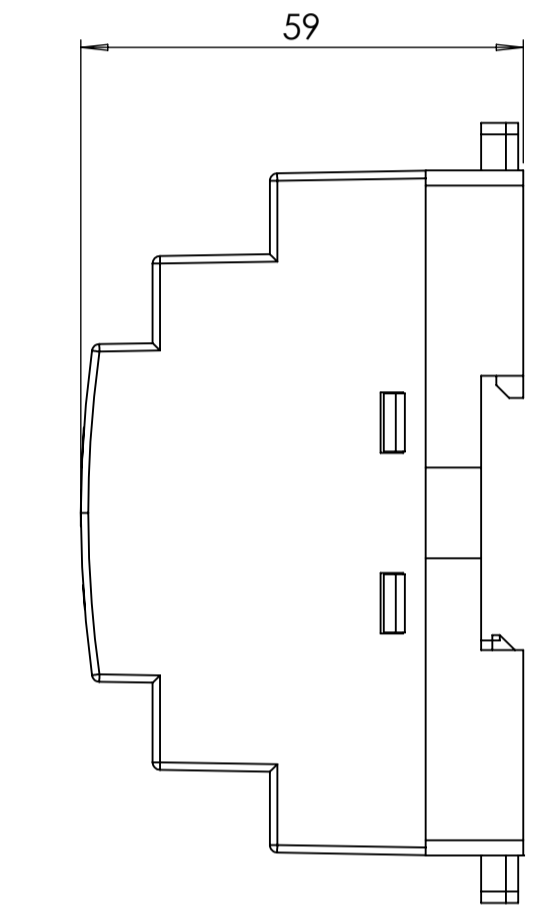
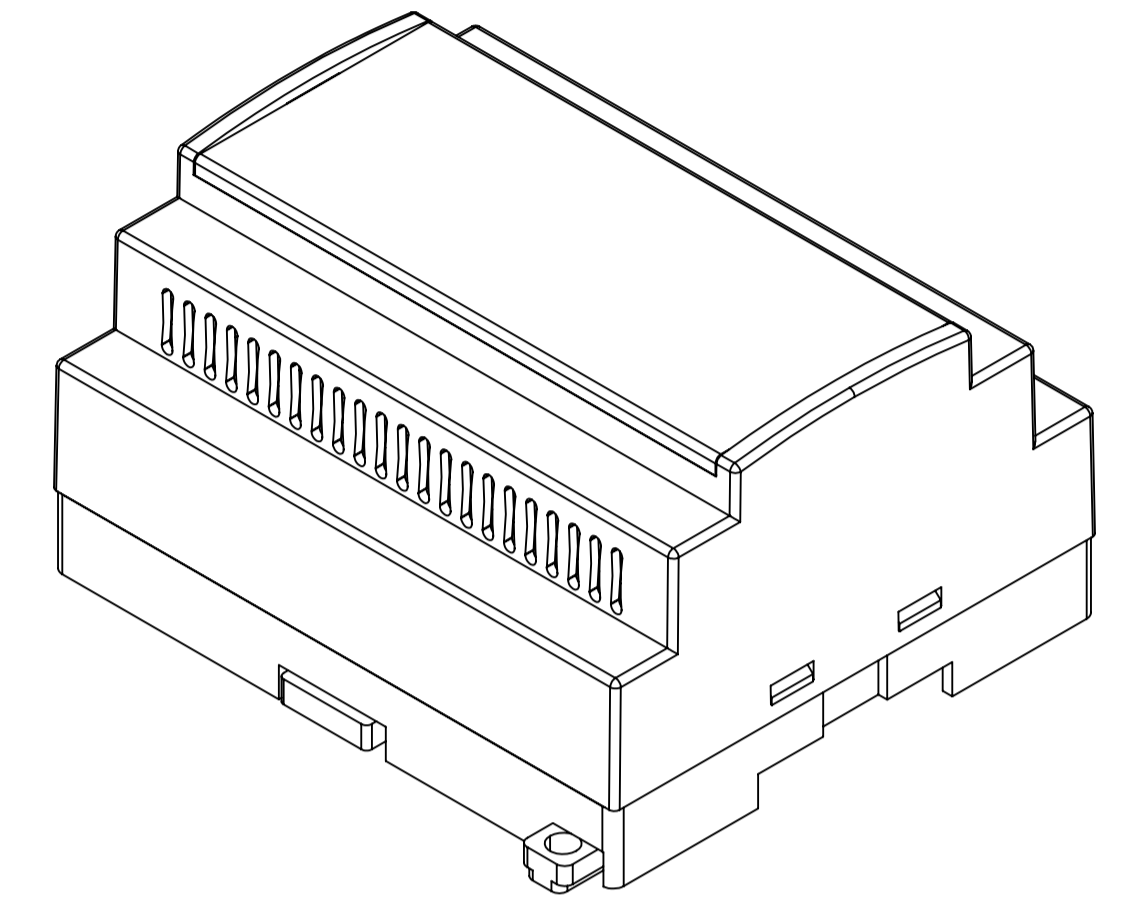
SURFACE-14 (INSIDE)

REV. NO.	DATE	REVISED BY	DESCRIPTION OF CHANGE
			www.altinkaya.com
Customer Name:		Customer Ref.:	
Altinkaya Ref.:		Part Name: RT-204-B	
DRAWN	NAME	DATE	Material:
CHECKED	Y. YEL	4.09.2024	Weight:
DIMENSIONAL TOLERANCES UNLESS OTHERWISE SPECIFIED:			SCALE 1:1 UNIT : mm
(Rn7148)	±0.1	±0.1	±0.2 ±0.3 ±0.5

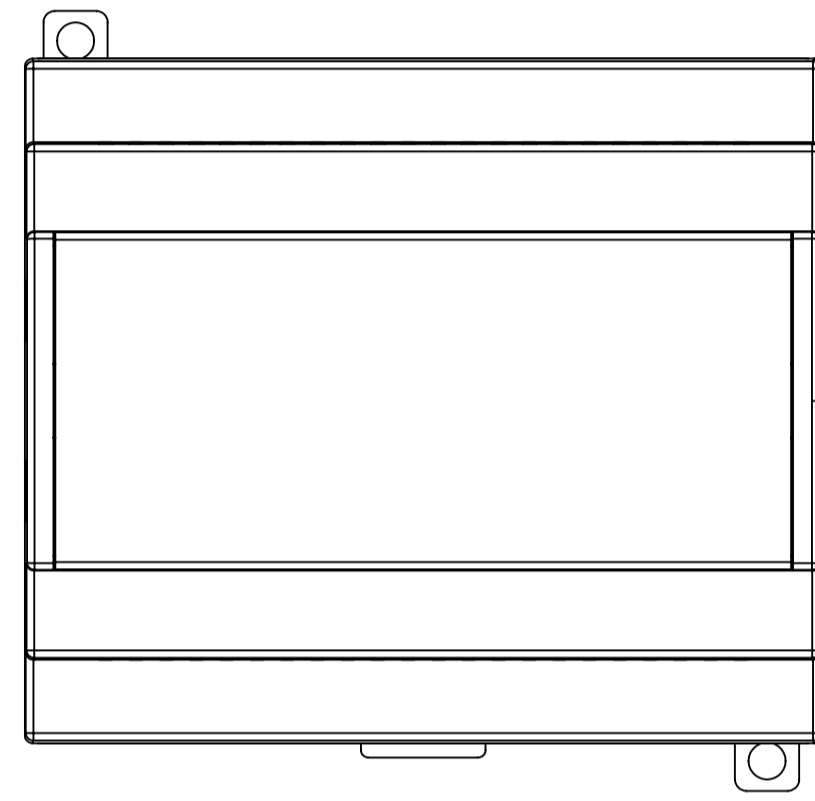
RT-206-B IF MACHINED TOGETHER



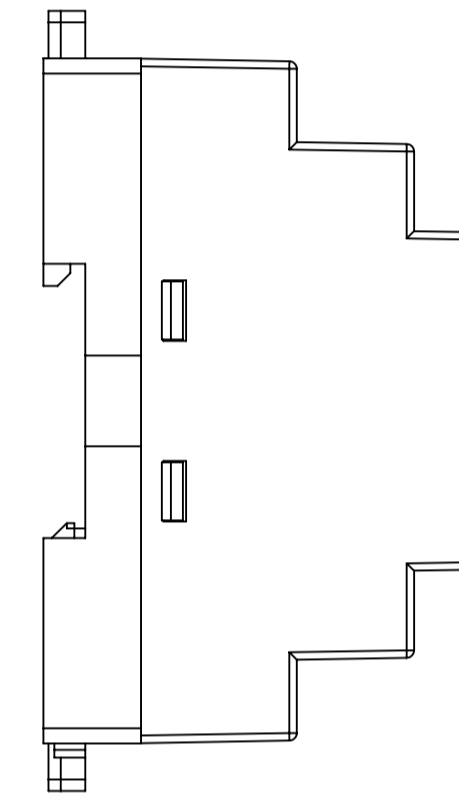
SURFACE-15



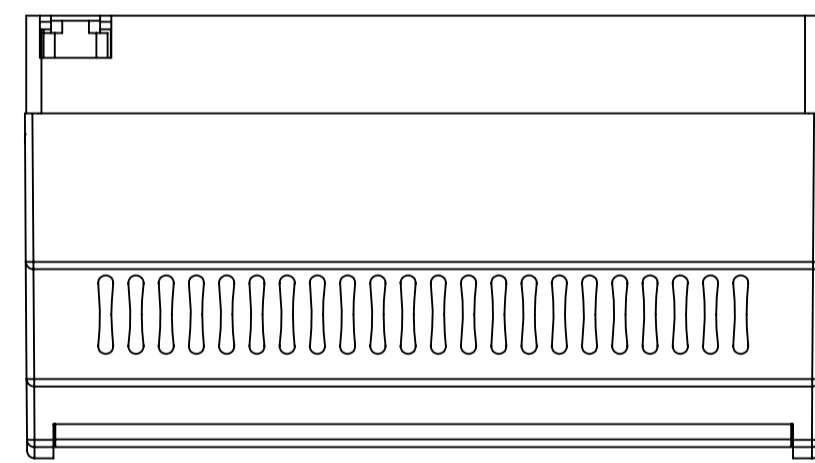
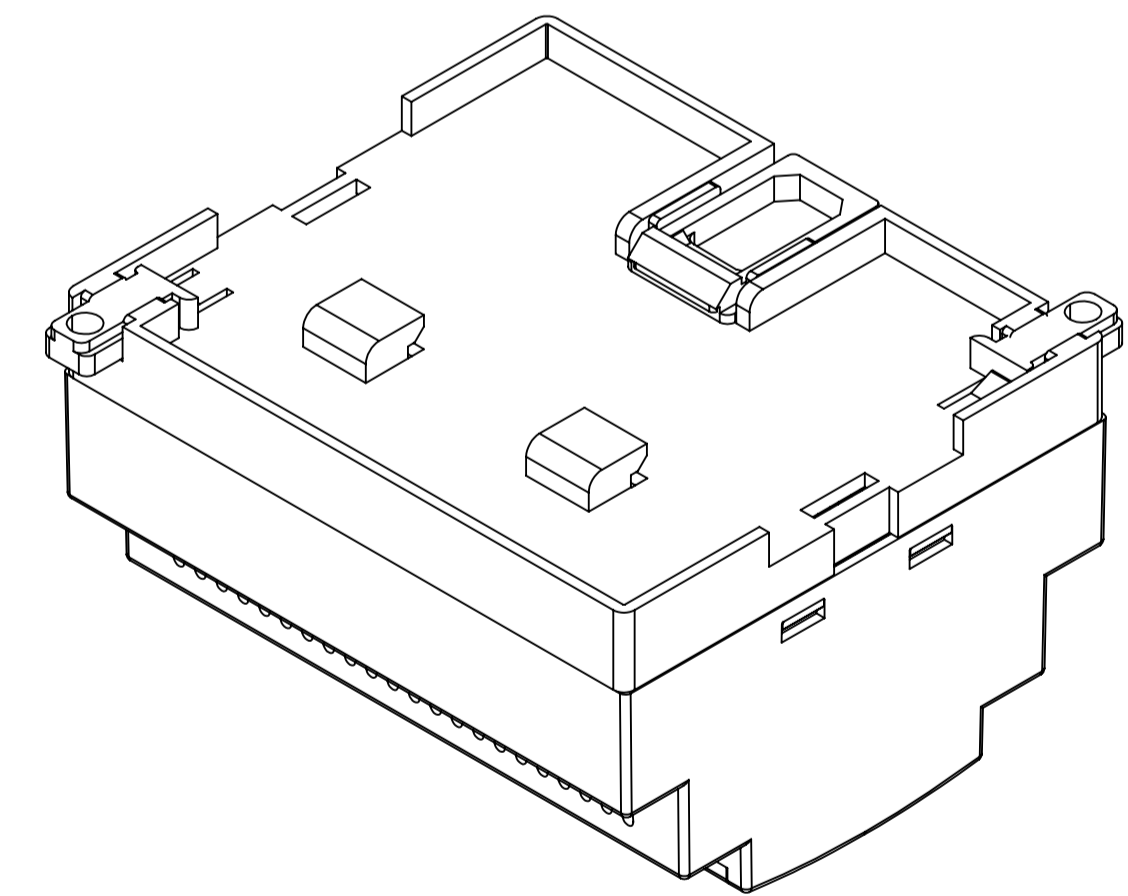
SURFACE-17



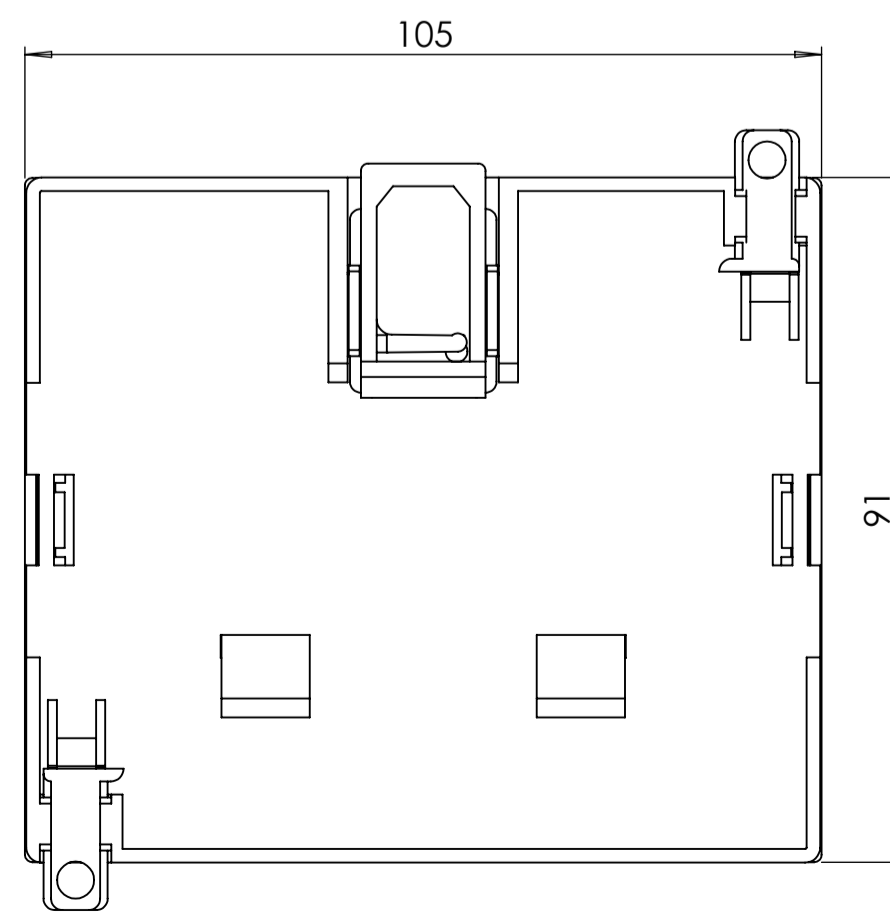
SURFACE-19



SURFACE-18



SURFACE-16



SURFACE-20

REV. NO.	DATE	REVISED BY	DESCRIPTION OF CHANGE
ALTINKAYA Electronic Enclosures & Components			
Customer Name:		Customer Ref.:	
Altinkaya Ref.:		Part Name: RT-206-B	
DRAWN	NAME	DATE	Drawn From:
CHECKED	Y. YESLOZ	4.09.2024	Material:
DIMENSIONAL TOLERANCES UNLESS OTHERWISE SPECIFIED:			Weight:
(mm)	±0.1	±0.1	±0.2
(mm)	±0.1	±0.2	±0.3
(mm)	±0.1	±0.2	±0.5
SCALE: 1:1			UNIT: mm
DIMENSIONAL TOLERANCES UNLESS OTHERWISE SPECIFIED:			Dimension (mm)
			m (medium)
			A1
			SHEET 2 OF 2