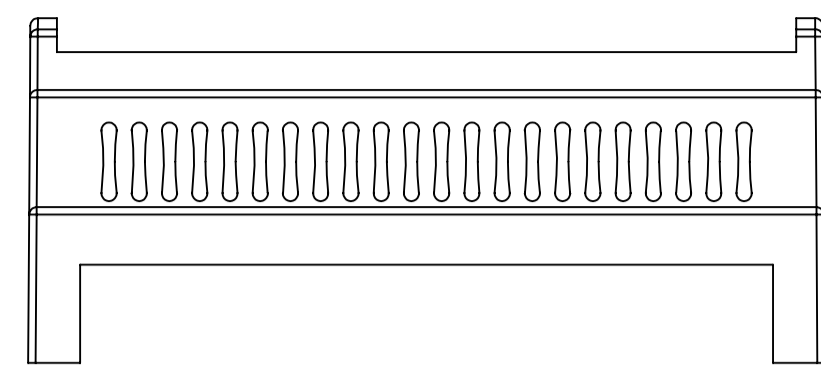
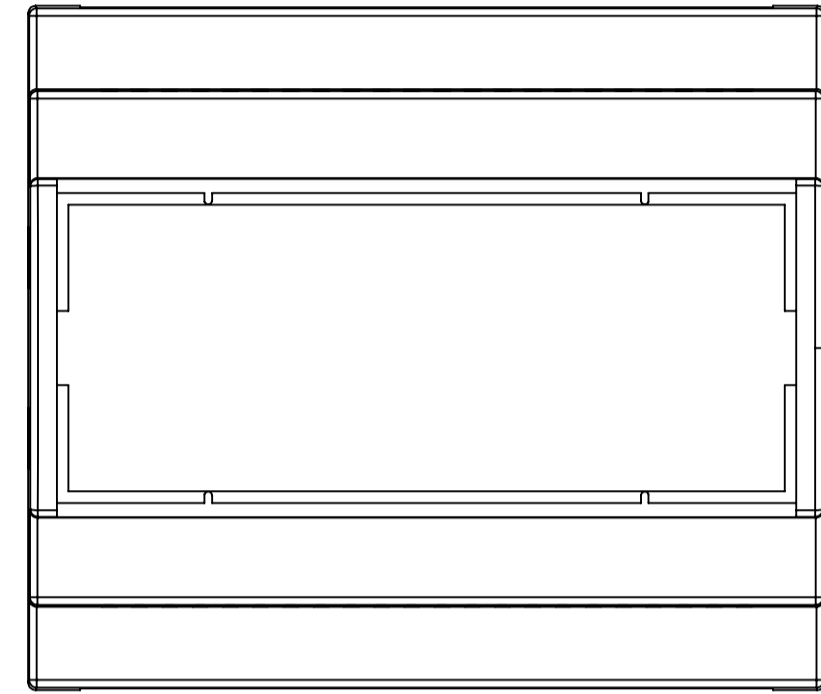


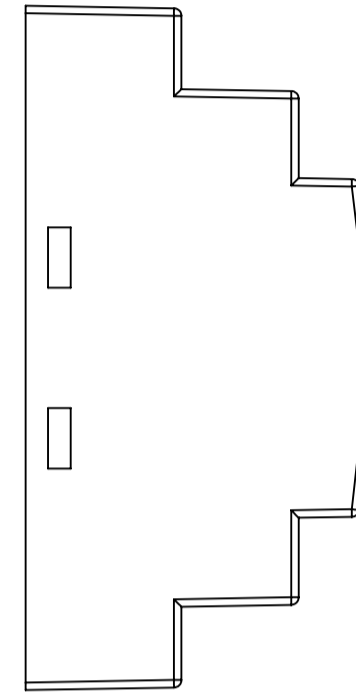
**BASE: 6 SURFACE**



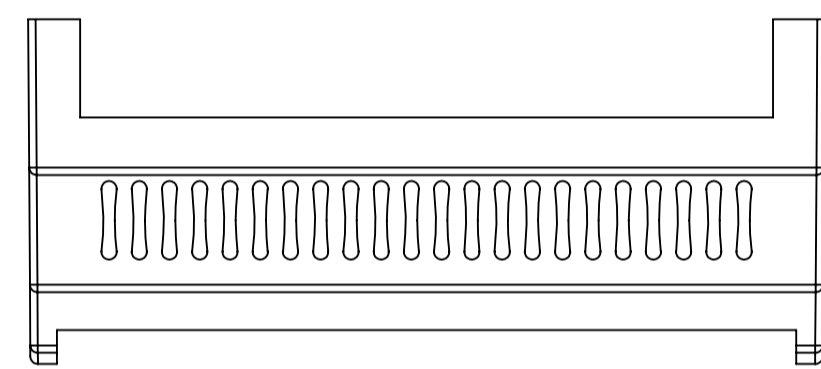
SURFACE-1



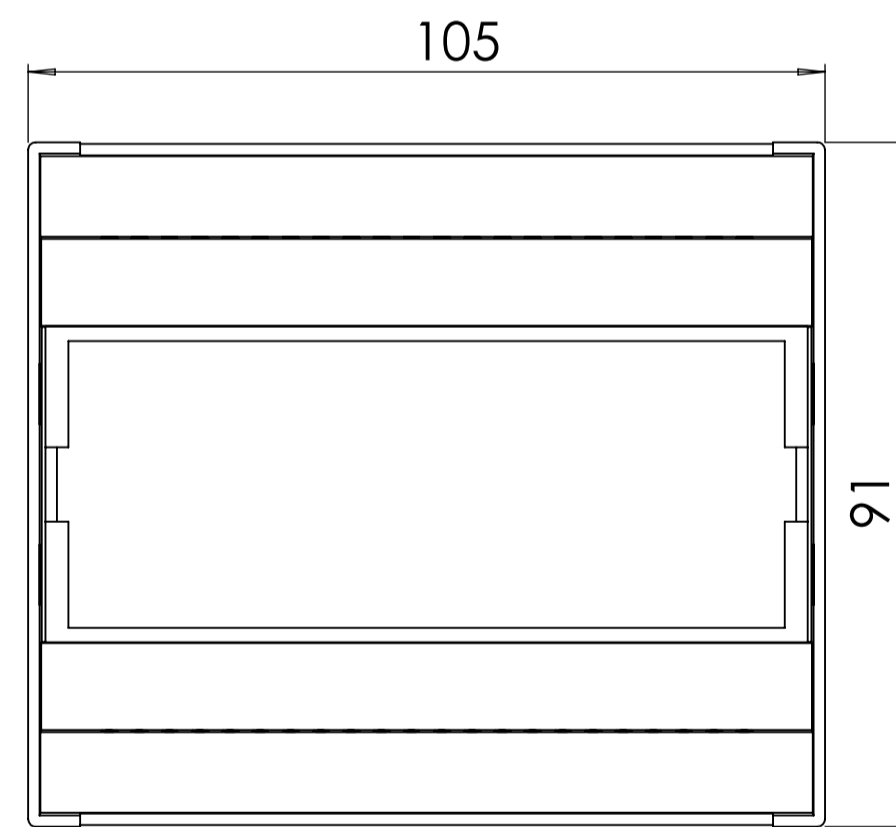
SURFACE-5



SURFACE-4



SURFACE-2

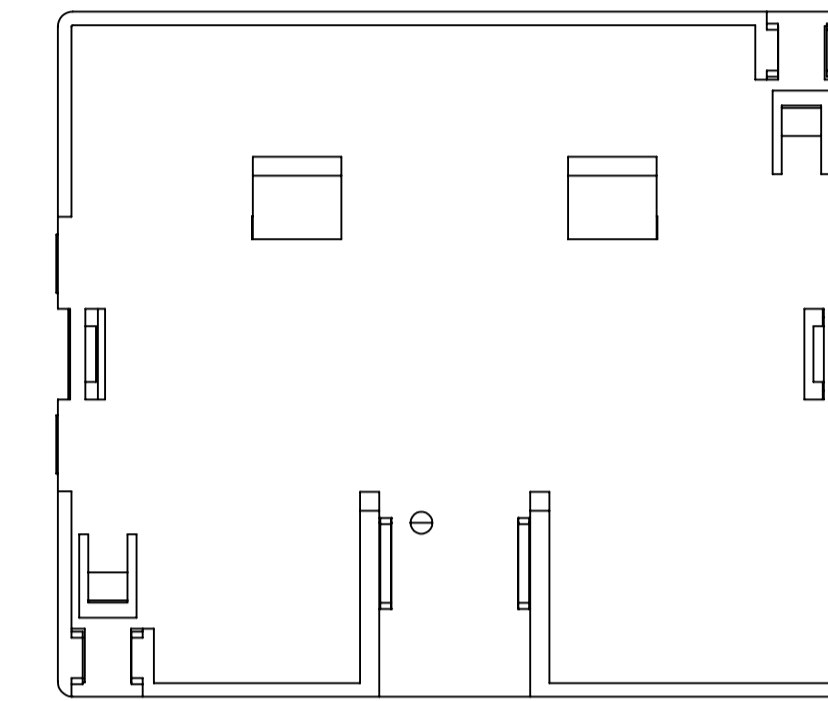


SURFACE-6 (INSIDE)

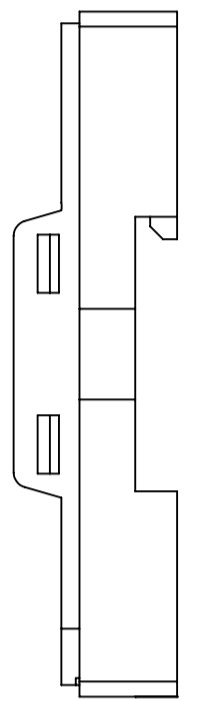
**COVER: 6 SURFACE**



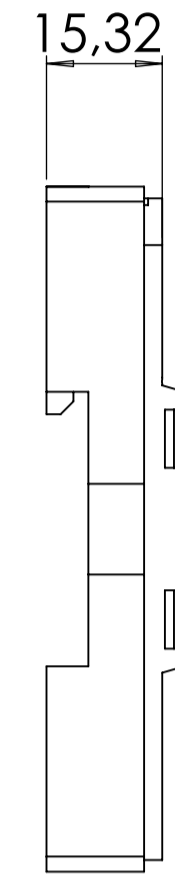
SURFACE-7



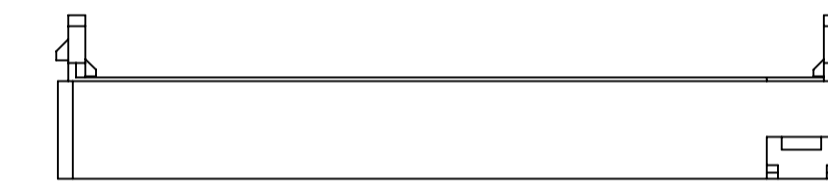
SURFACE-11



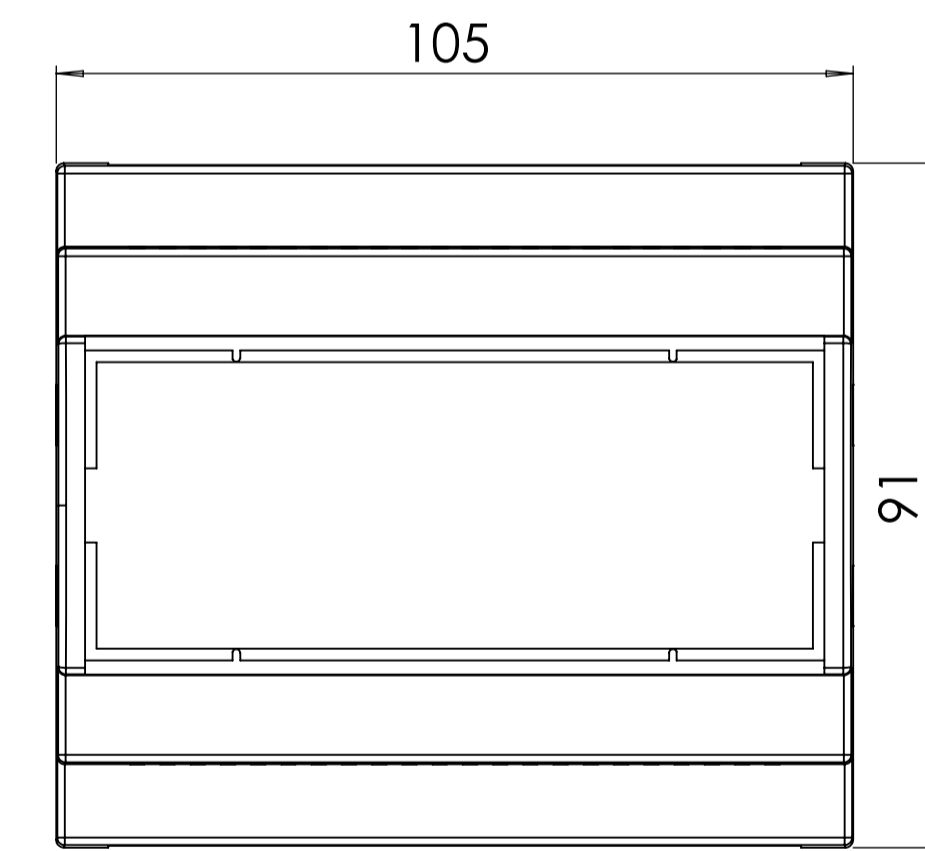
SURFACE-10



SURFACE-9

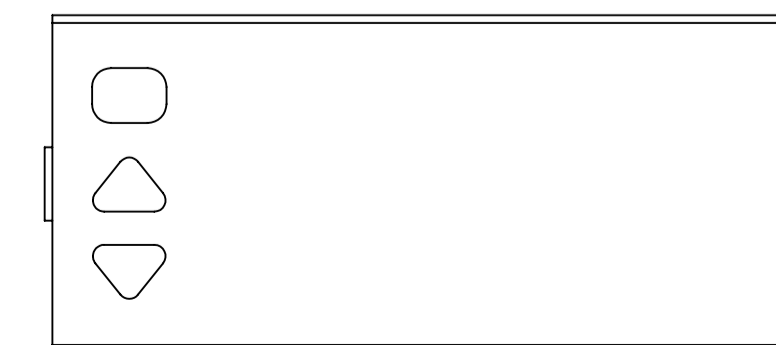
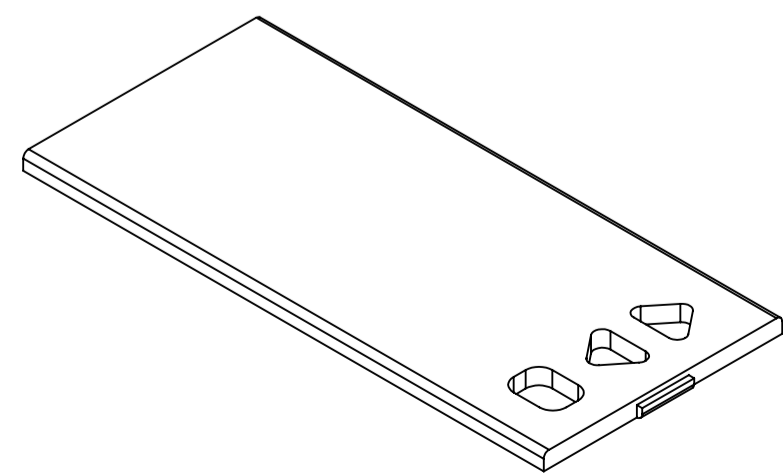


SURFACE-8

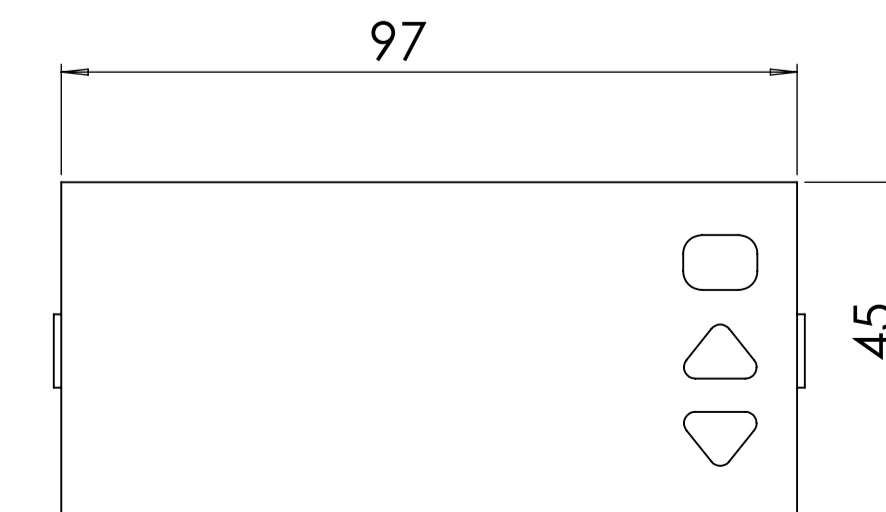
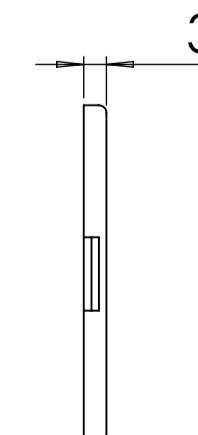


SURFACE-12 (INSIDE)

**PANEL: 2 SURFACE**



SURFACE-13



SURFACE-14 (INSIDE)

REV. NO.	DATE	REVISED BY	DESCRIPTION OF CHANGE
			www.altinkaya.com
Customer Name:		Customer Ref.:	
Altinkaya Ref.:		Part Name: RT-204-E	
DRAWN	NAME	DATE	Drawn From:
CHECKED	Y. YEL	6.09.2024	Material:
DIMENSIONAL TOLERANCES UNLESS OTHERWISE SPECIFIED:			SCALE 1:1 UNIT : mm
	±0.1	±0.1	±0.2
	±0.1	±0.2	±0.3
	±0.1	±0.2	±0.5
			Dimension (mm)
			120-400mm
			m (medium)
			A1
			SHEET 1 OF 2

