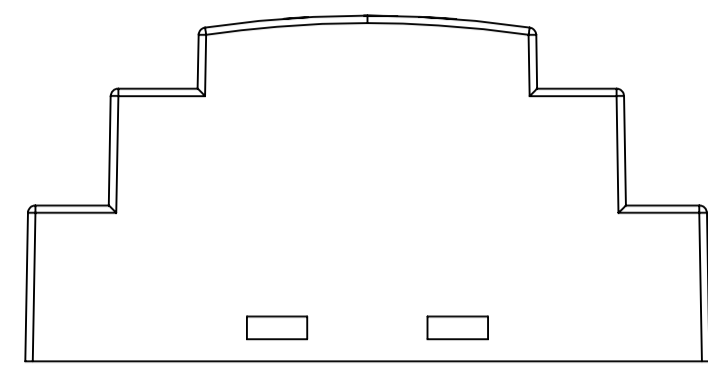
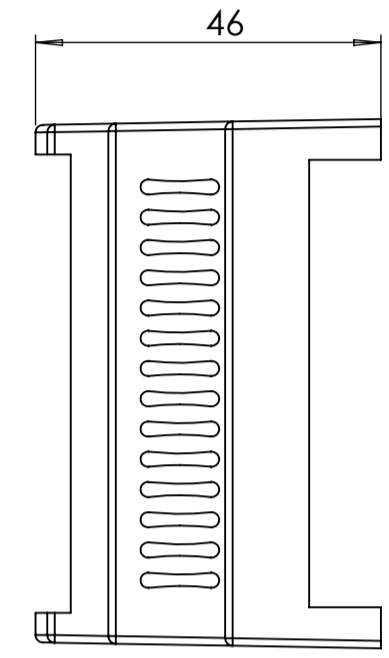


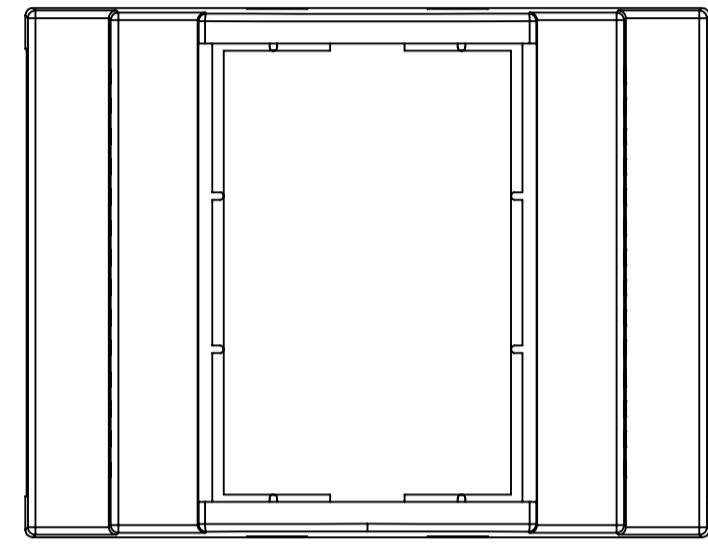
BASE: 6 SURFACE



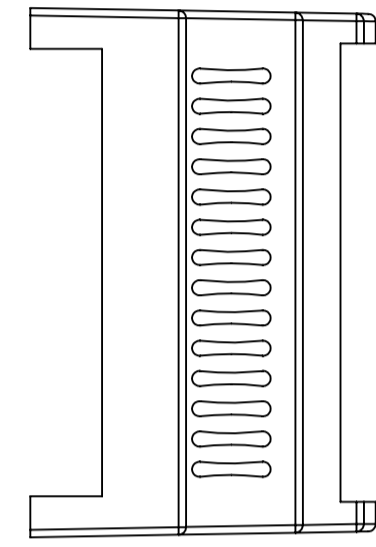
SURFACE-1



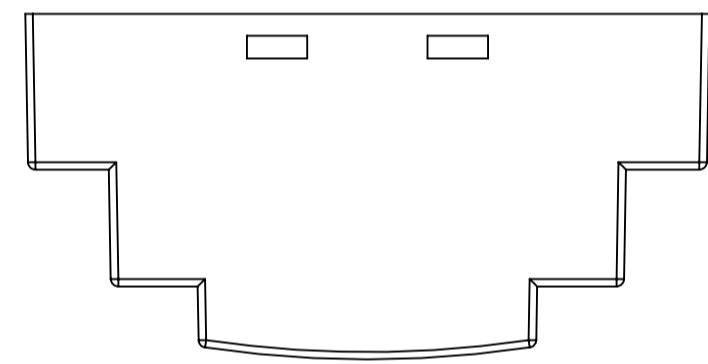
SURFACE-3



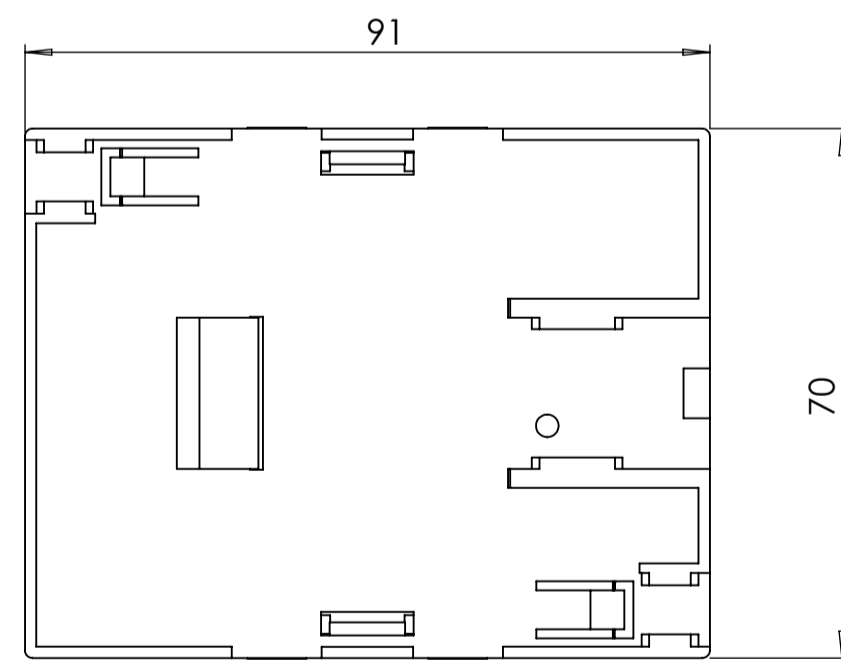
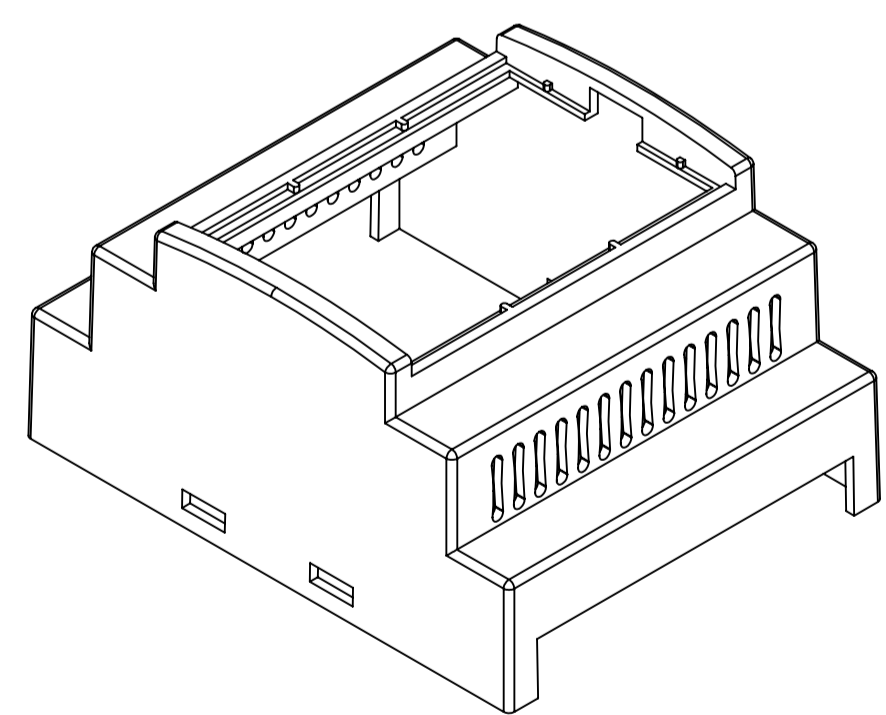
SURFACE-5



SURFACE-4

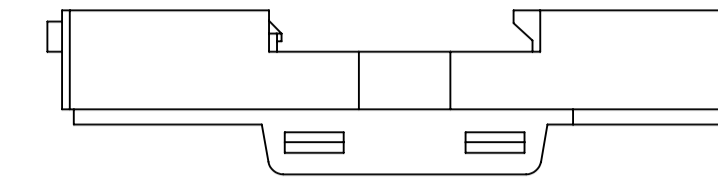


SURFACE-2

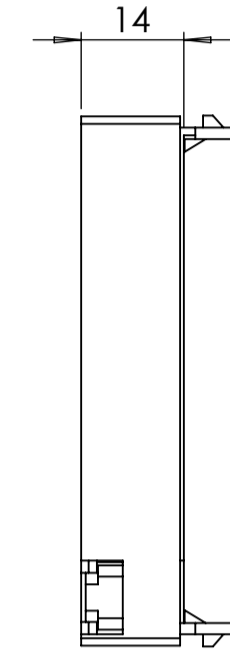


SURFACE-6 (INSIDE)

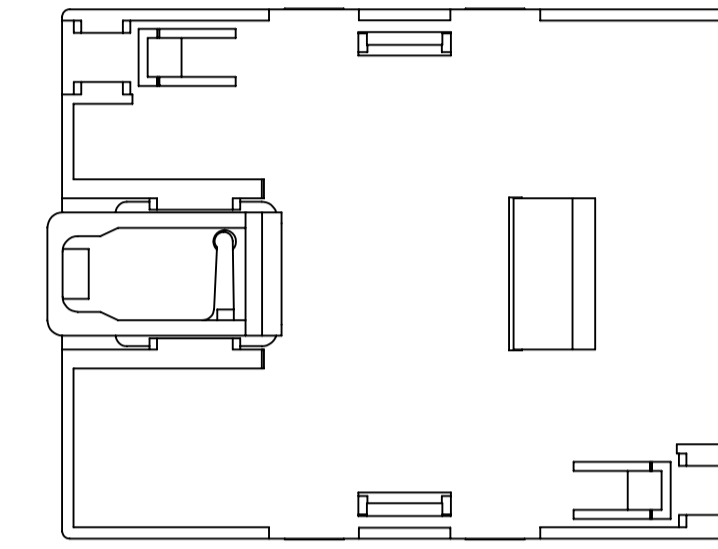
COVER: 6 SURFACE



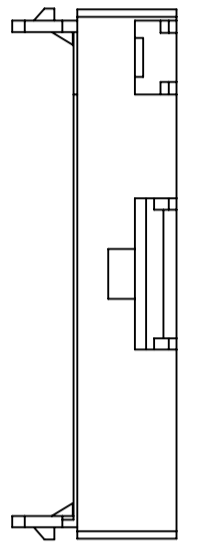
SURFACE-7



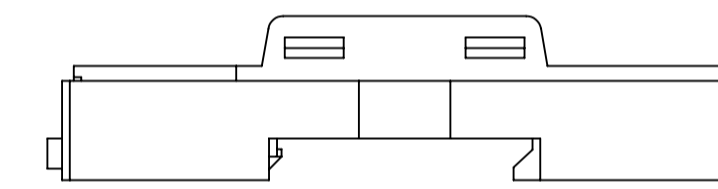
SURFACE-9



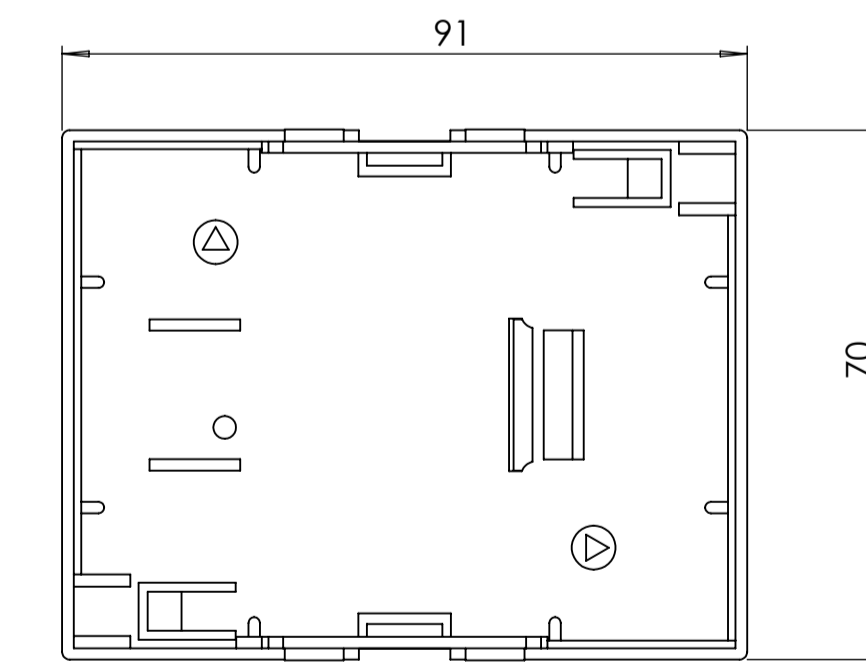
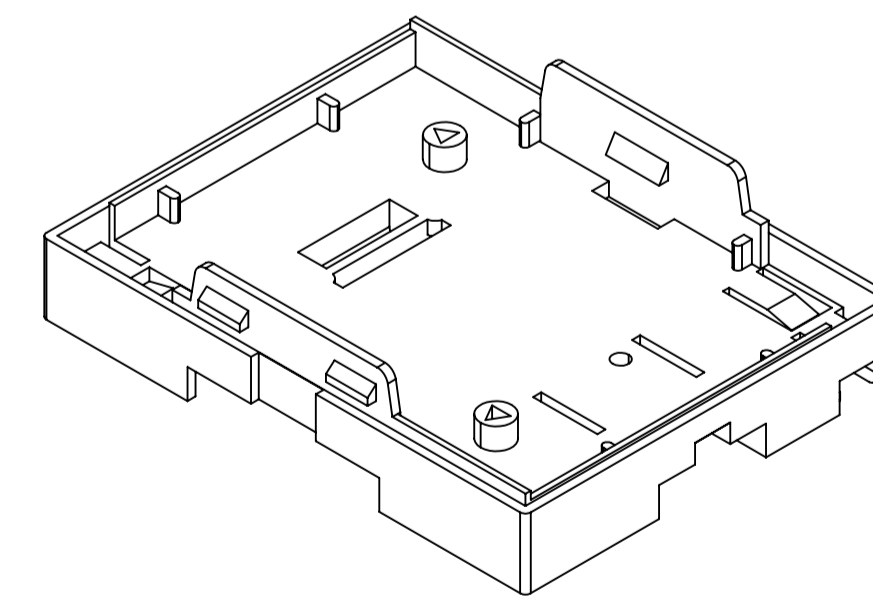
SURFACE-11



SURFACE-10

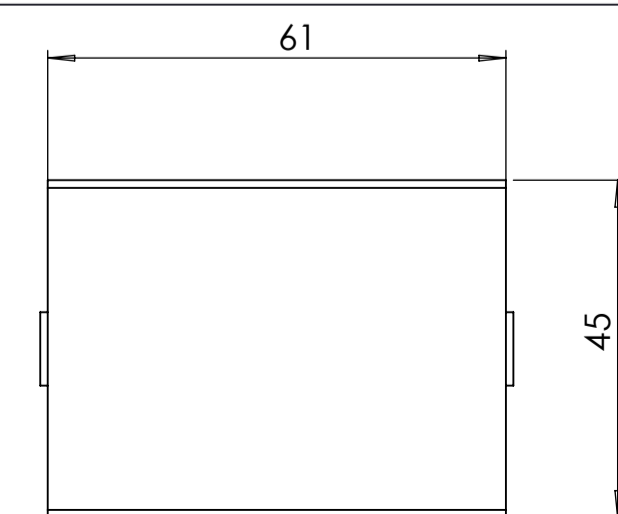
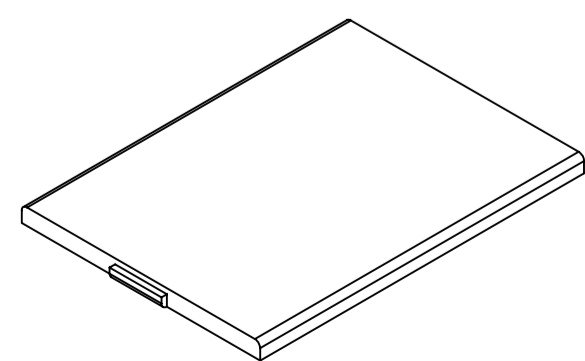


SURFACE-8

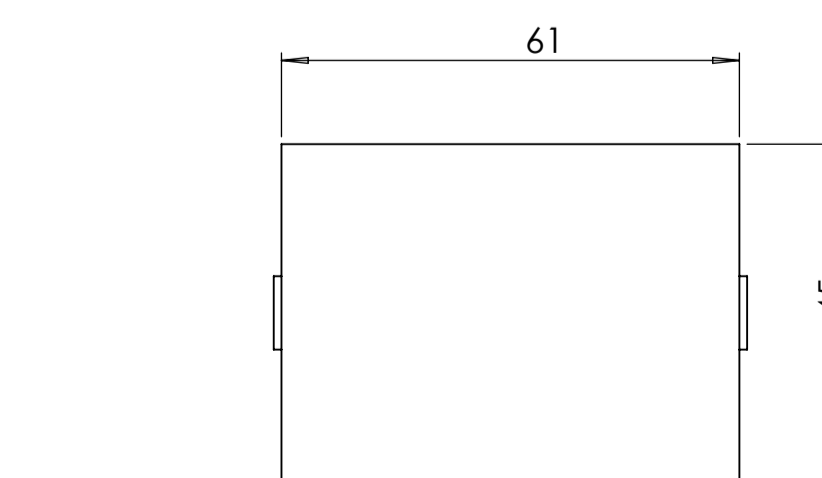
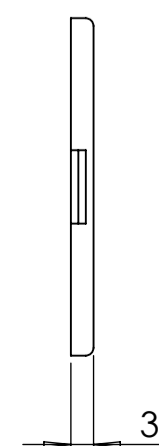


SURFACE-12 (INSIDE)

PANEL: 2 SURFACE



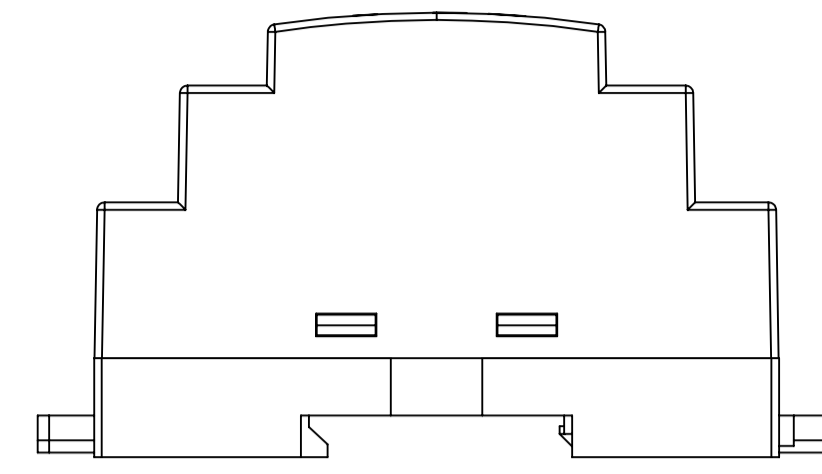
SURFACE-13



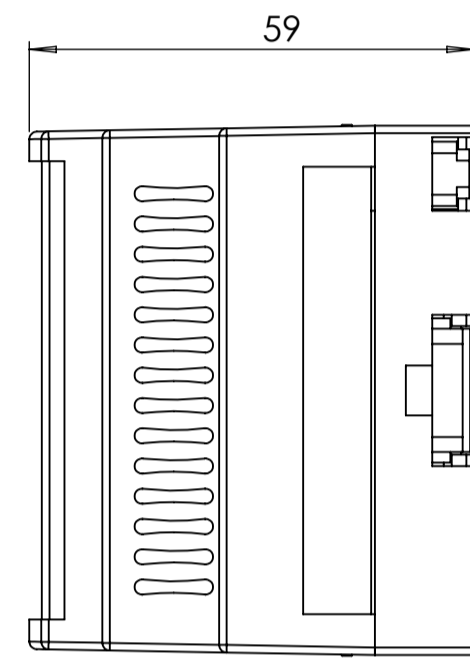
SURFACE-14 (INSIDE)

REV. NO.	DATE	REVISED BY	DESCRIPTION OF CHANGE
			www.altinkaya.com
Customer Name:		Customer Ref.:	
Altinkaya Ref.:		Part Name: RT-204-E	
DRAWN	NAME	DATE	Drawn From:
CHECKED	Y. YESLOZ	27.07.2024	Material:
DIMENSIONAL TOLERANCES UNLESS OTHERWISE SPECIFIED:		Weight:	SCALE 1:1 UNIT : mm
[R&T148]	±0.1	±0.1	±0.2
	±0.1	±0.2	±0.3
		±0.5	±0.5
			Dimension(mm)
			120-400mm
			m(medium)
			A1
			SHEET 1 OF 2

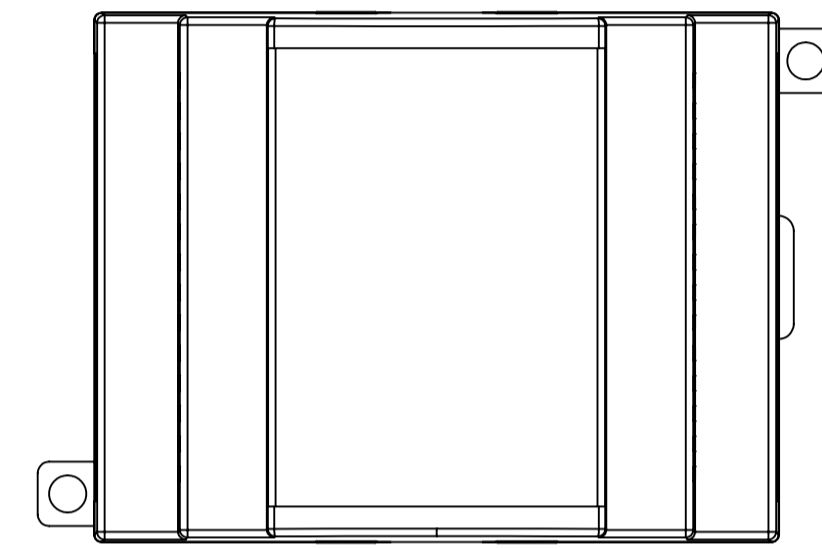
RT-204-E IF MACHINED TOGETHER



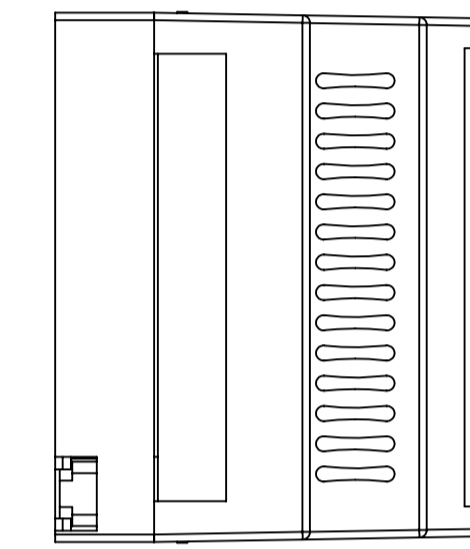
SURFACE-15



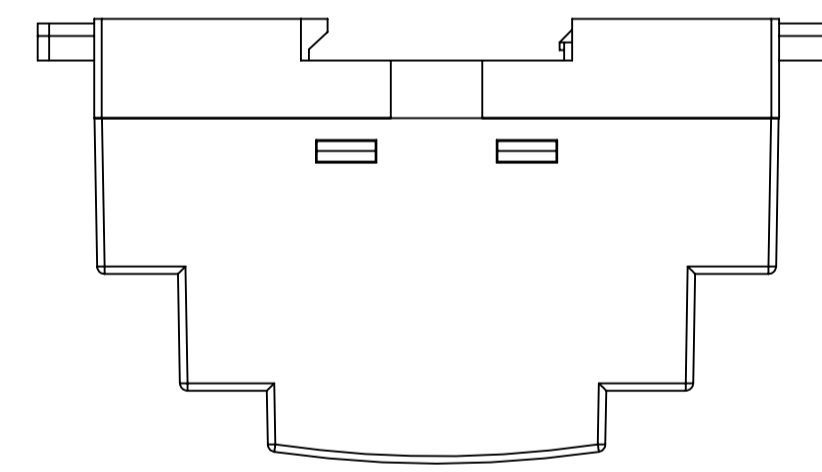
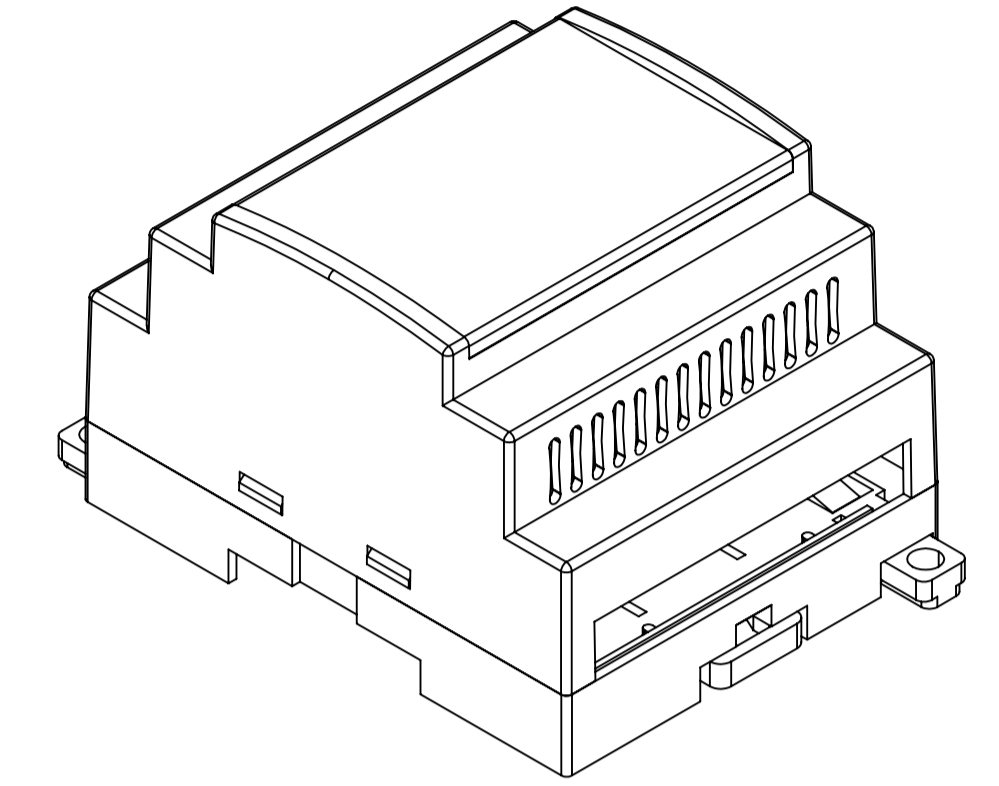
SURFACE-17



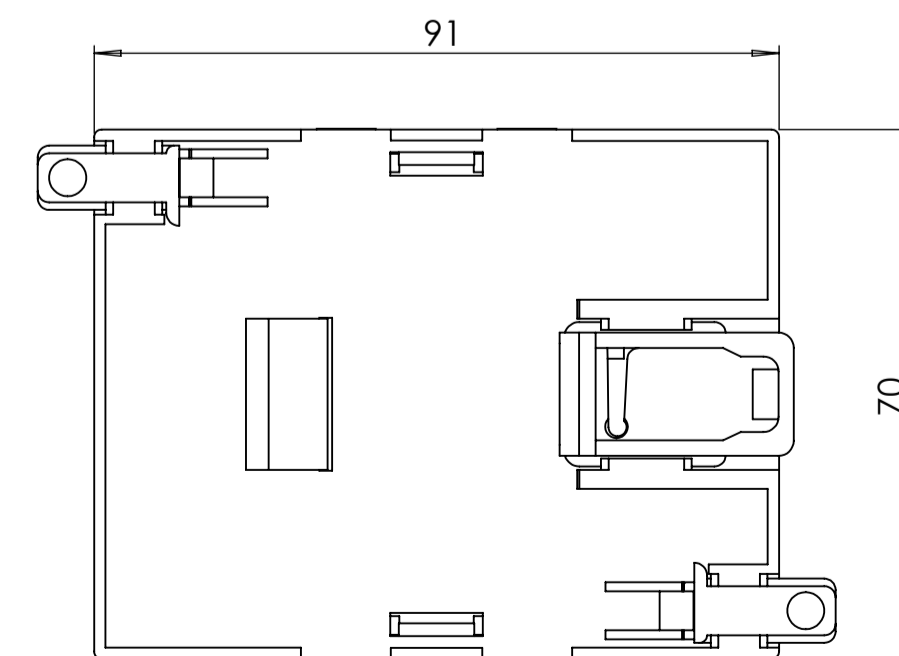
SURFACE-19



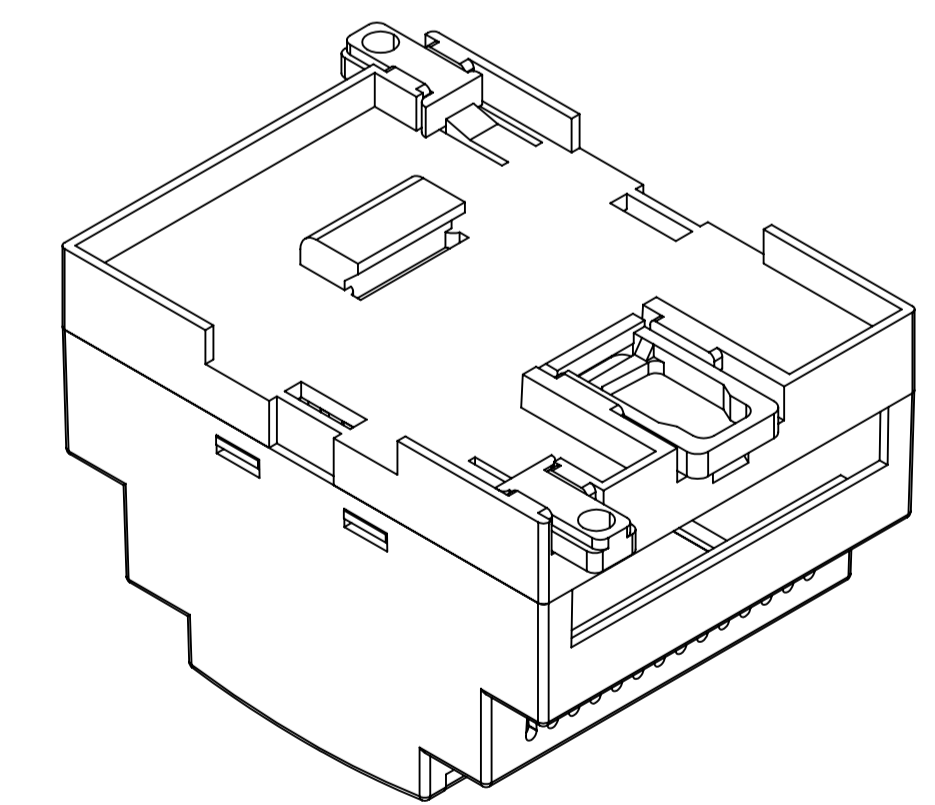
SURFACE-18



SURFACE-16



SURFACE-20



REV. NO.	DATE	REVISED BY	DESCRIPTION OF CHANGE
ALTINKAYA Electronic Enclosures & Components			
Customer Name:		Customer Ref.:	
Altinkaya Ref.:		Part Name: RT-204-E	
DRAWN	NAME	DATE	Drawn From:
CHECKED	Y. YESILOZ	27.07.2024	Material:
DIMENSIONAL TOLERANCES UNLESS OTHERWISE SPECIFIED:			Weight:
(mm)	±0.1	±0.1	±0.2
		±0.3	±0.5
SCALE 1:1			UNIT : mm
Dimension(mm)			A1
m(medium)			SHEET 2 OF 2