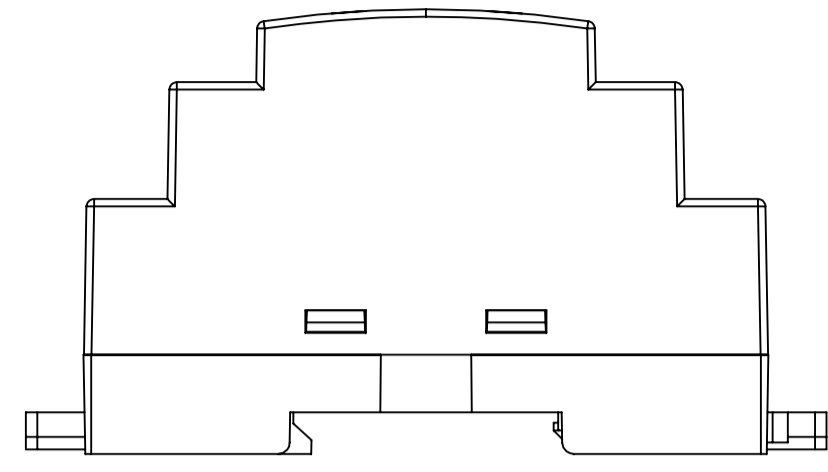
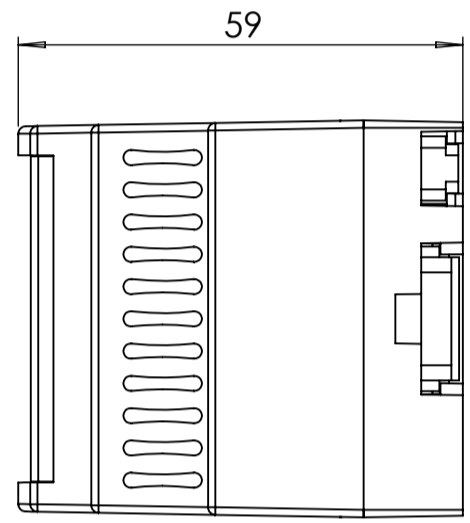
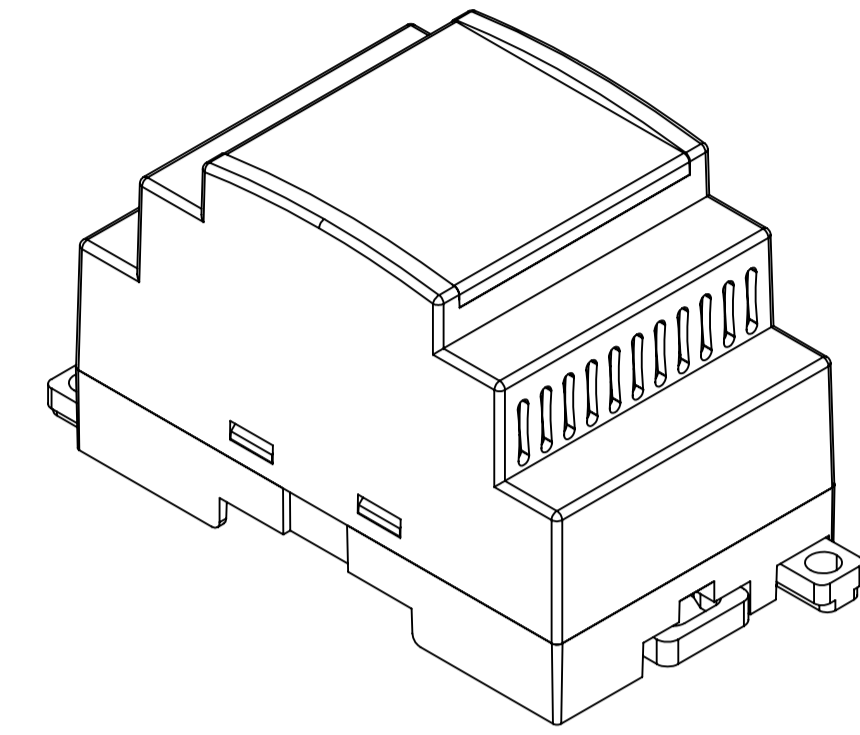


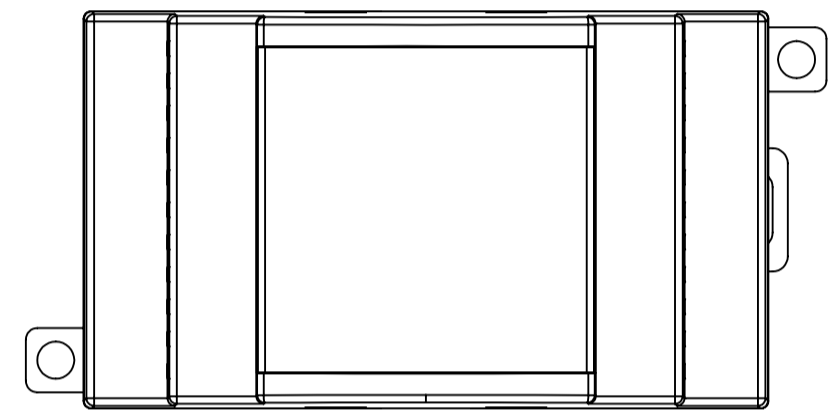
RT-203-B IF MACHINED TOGETHER



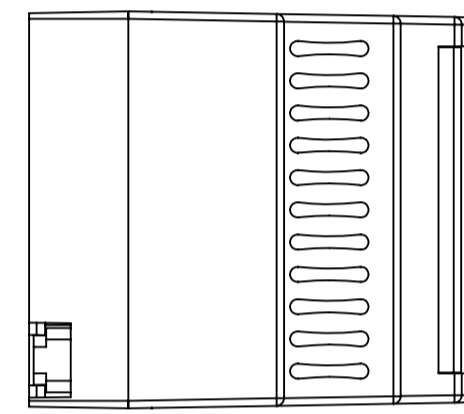
SURFACE-15



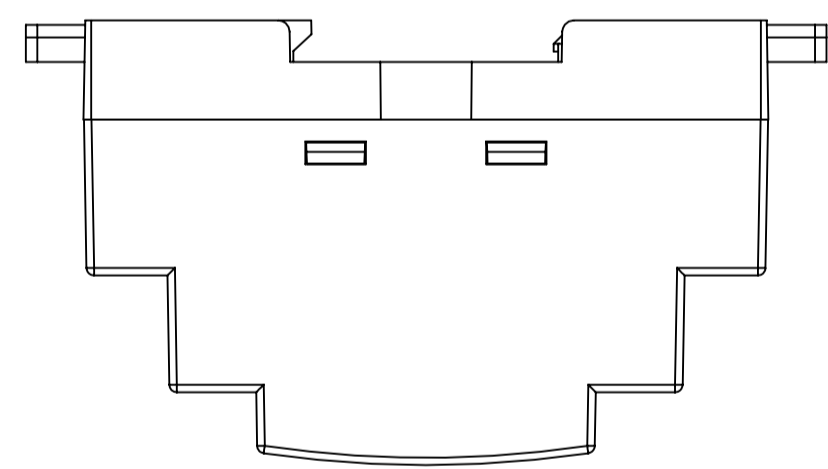
SURFACE-17



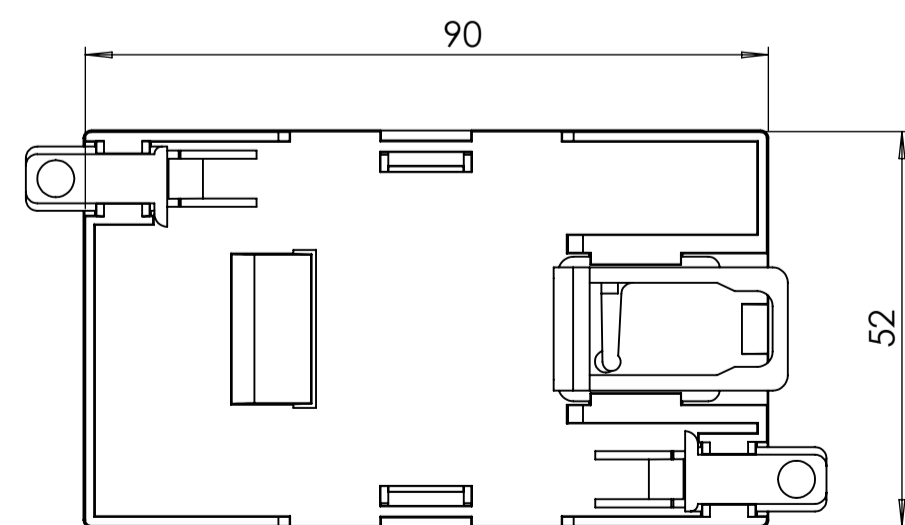
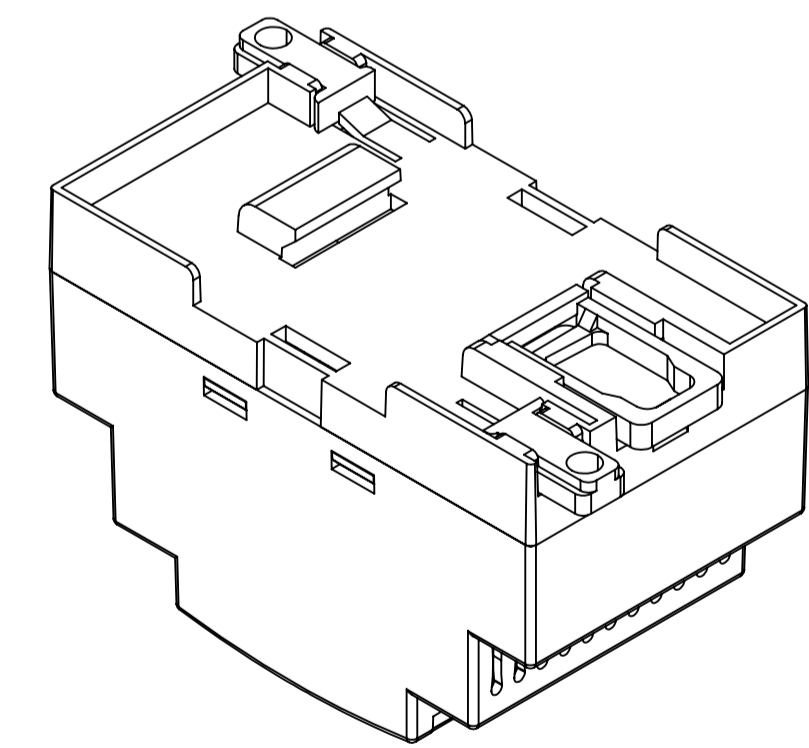
SURFACE-19



SURFACE-18



SURFACE-16



SURFACE-20

| REV. NO. | DATE | REVISED BY | DESCRIPTION OF CHANGE |
|--|-----------|---------------------|--|
| ALTINKAYA Electronic Enclosures & Components | | | www.altinkaya.com |
| Customer Name: | | Customer Ref.: | |
| Altinkaya Ref.: | | Part Name: RT-203-B | |
| DRAWN | NAME | DATE | Drawn From: |
| CHECKED | Y. YESLOZ | 29.07.2024 | Material: |
| DIMENSIONAL TOLERANCES UNLESS OTHERWISE SPECIFIED: | | Weight: | SCALE 1:1 UNIT : mm |
| (DIN7148) | ±0.1 | ±0.1 | ±0.2 |
| | ±0.1 | ±0.2 | ±0.3 |
| | | ±0.3 | ±0.5 |
| | | | Dimension(mm) |
| | | | 30-120mm |
| | | | 120-400mm |
| | | | m(medium) |
| | | | A1 |
| | | | SHEET 2 OF 2 |