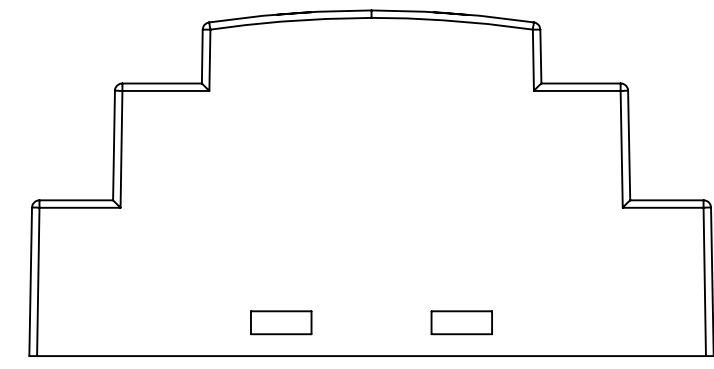
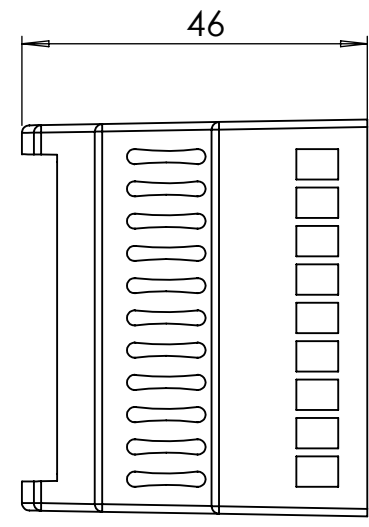


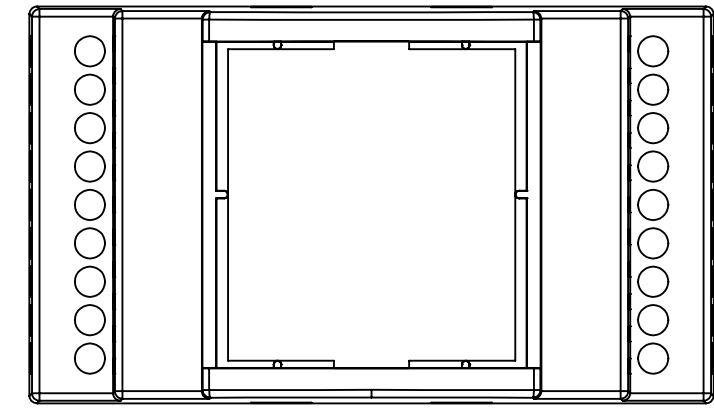
BASE: 6 SURFACE



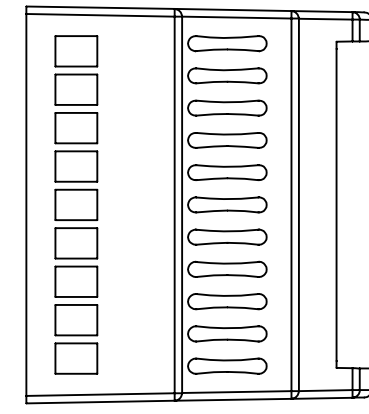
SURFACE-1



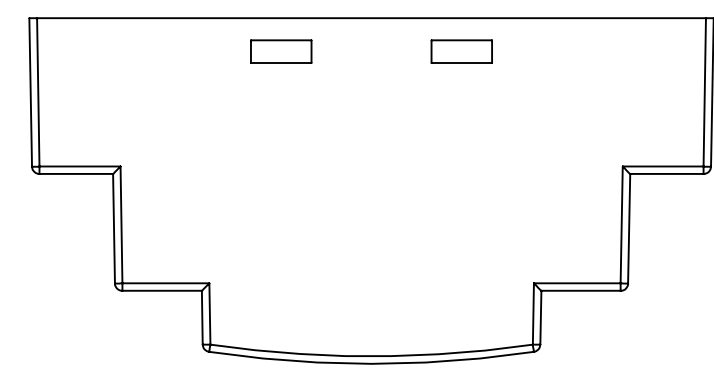
SURFACE-3



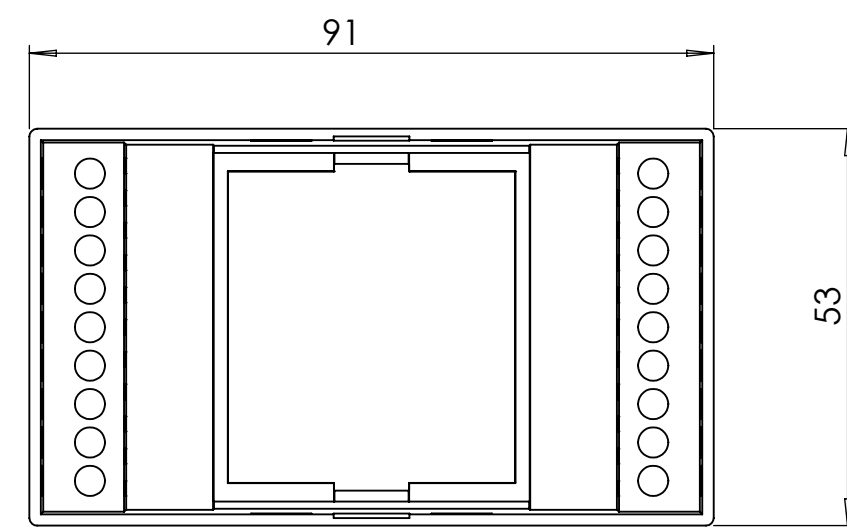
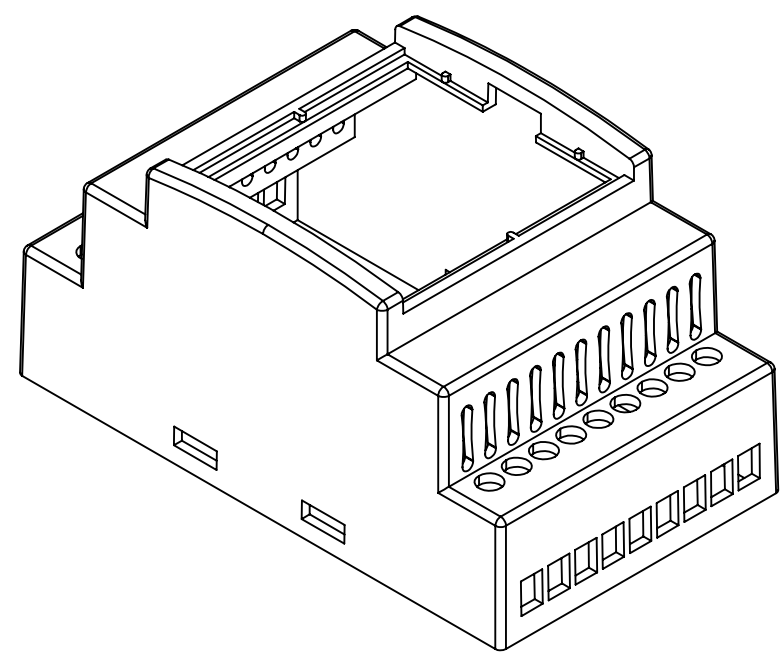
SURFACE-5



SURFACE-4

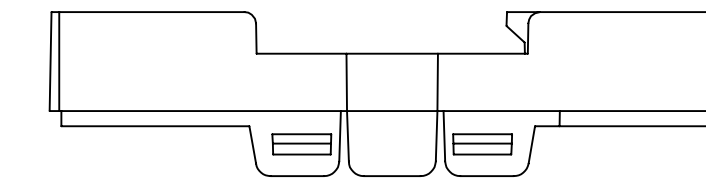


SURFACE-2

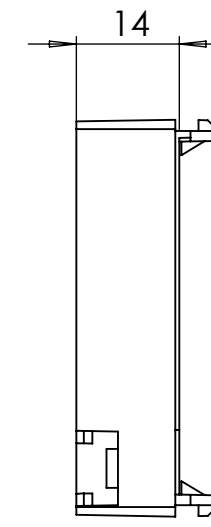


SURFACE-6 (INSIDE)

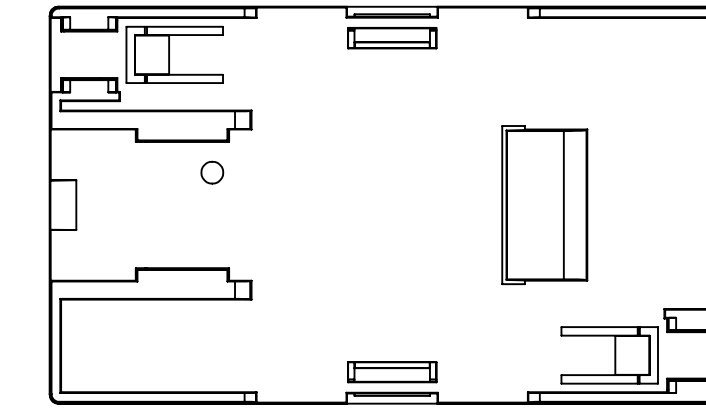
COVER: 6 SURFACE



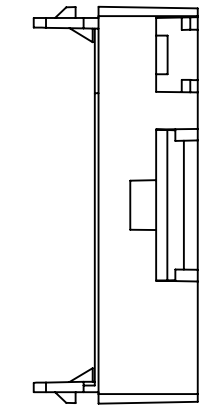
SURFACE-7



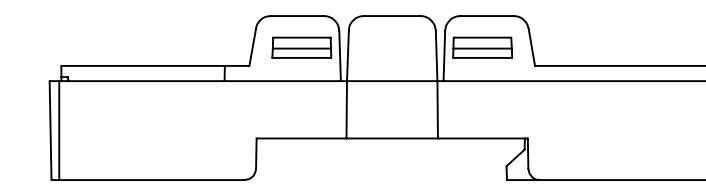
SURFACE-9



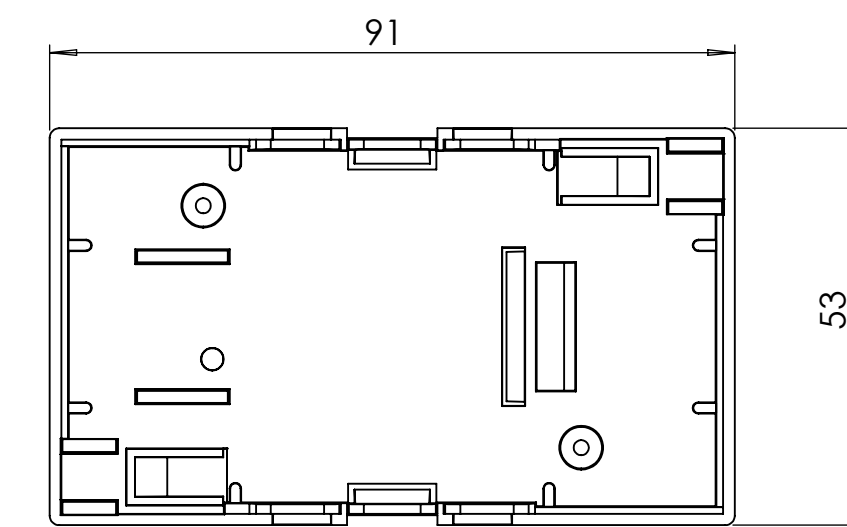
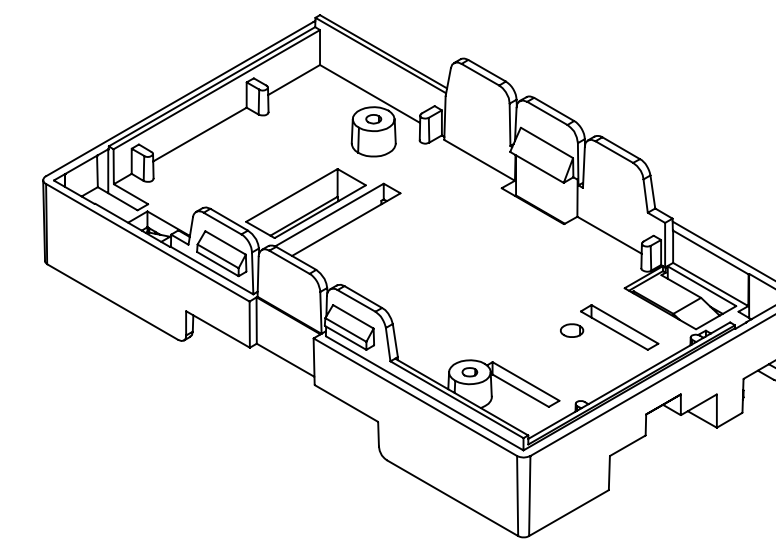
SURFACE-11



SURFACE-10

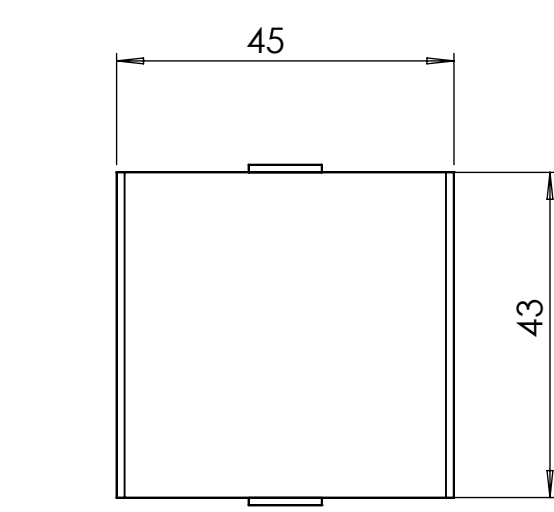
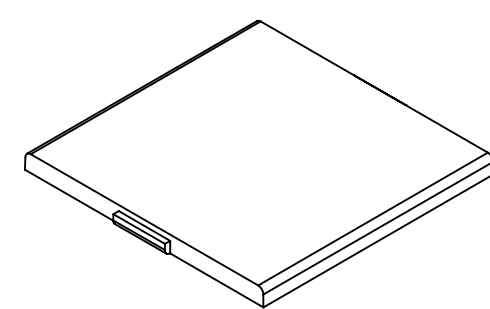


SURFACE-8

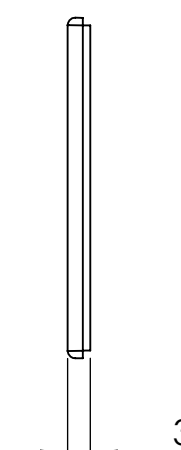


SURFACE-12 (INSIDE)

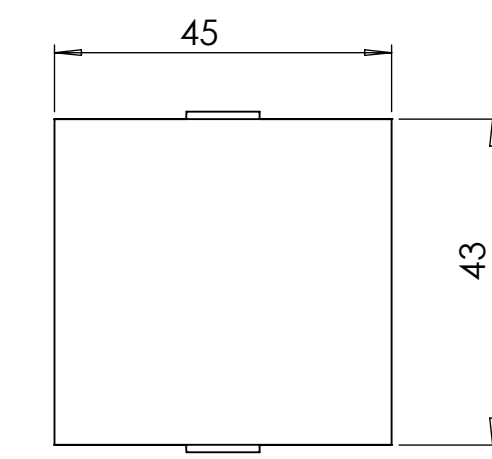
PANEL: 2 SURFACE




SURFACE-13



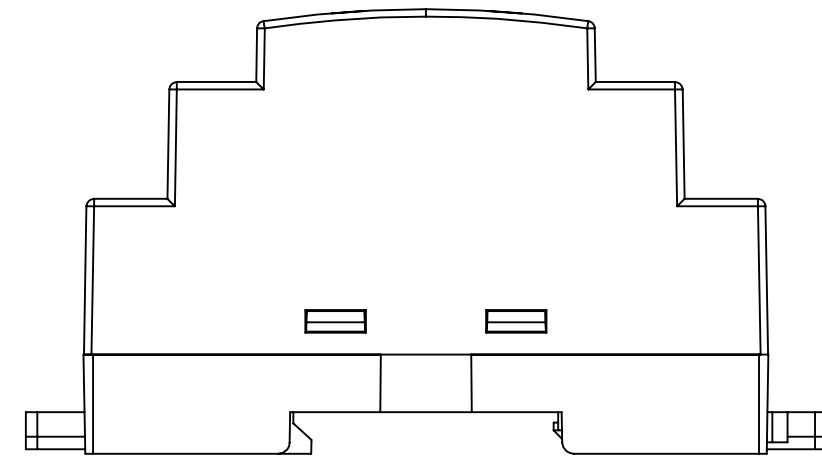
3



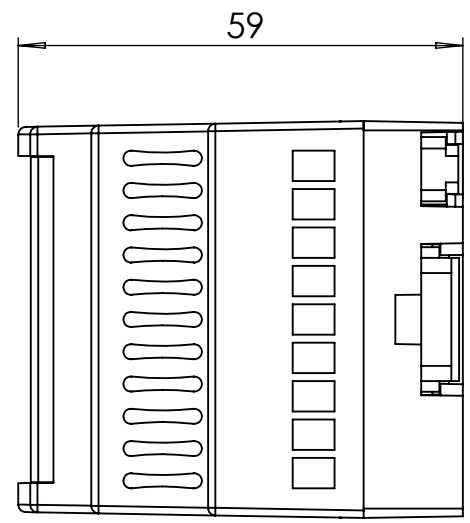
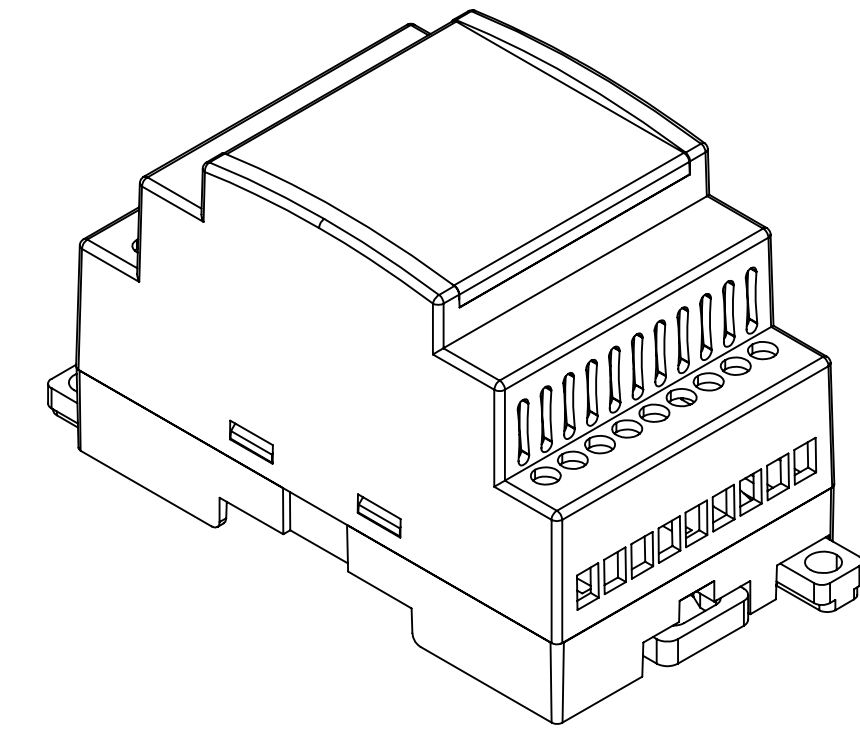
SURFACE-14 (INSIDE)

REV. NO.	DATE	REVISED BY	DESCRIPTION OF CHANGE
 ALTINKAYA Electronic Enclosures & Components www.altinkaya.com			
Customer Name:		Customer Ref.:	
Altinkaya Ref.:		Part Name: RT-203-C	
DRAWN	NAME	DATE	Drawn From:
CHECKED	Y. YESLOZ	29.07.2024	Material:
DIMENSIONAL TOLERANCES UNLESS OTHERWISE SPECIFIED:		Weight:	SCALE 1:1 UNIT : mm
[R&T148]	±0.1	±0.1	±0.2
	±0.3	±0.5	±0.5
			Dimension(mm) m(medium)
			120-400mm
			30-120mm
			6-30mm
			3-6mm
			0.5-3mm
			1
			2
			3
			4
			5
			6
			7
			8
			9
			10
			11
			12
			13
			14
			15
			16
			M
			L
			K
			J
			H
			G
			F
			E
			D
			C
			B
			A

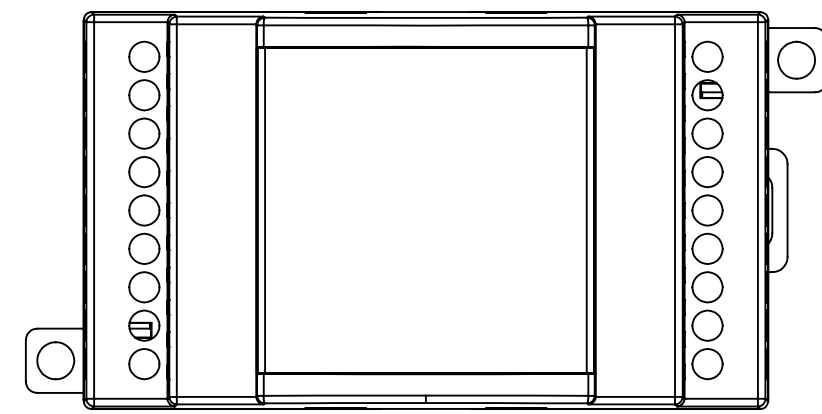
RT-203-C IF MACHINED TOGETHER



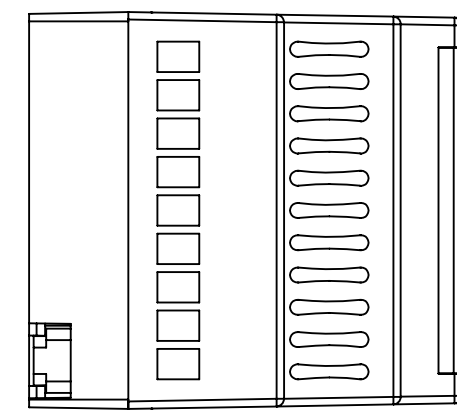
SURFACE-15



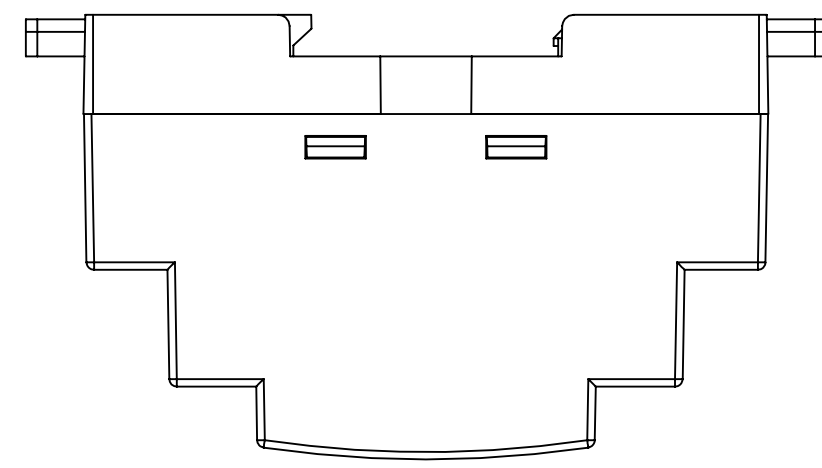
SURFACE-17



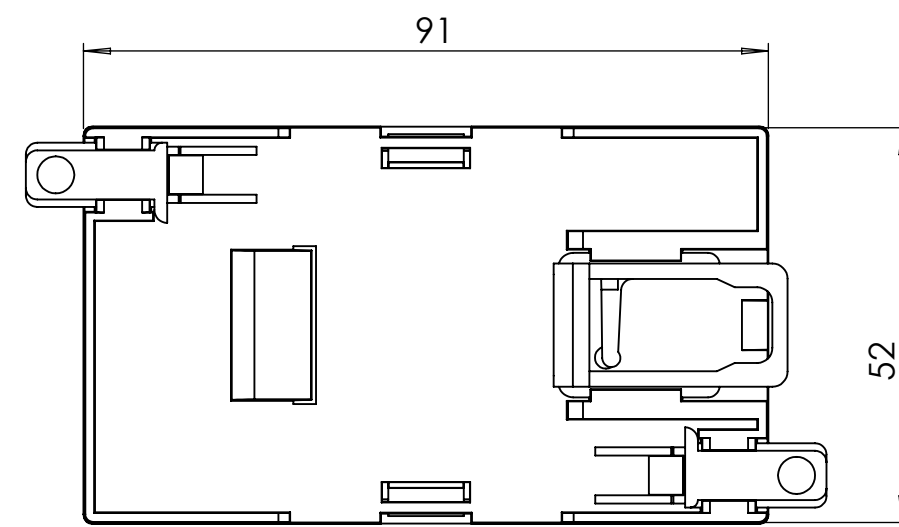
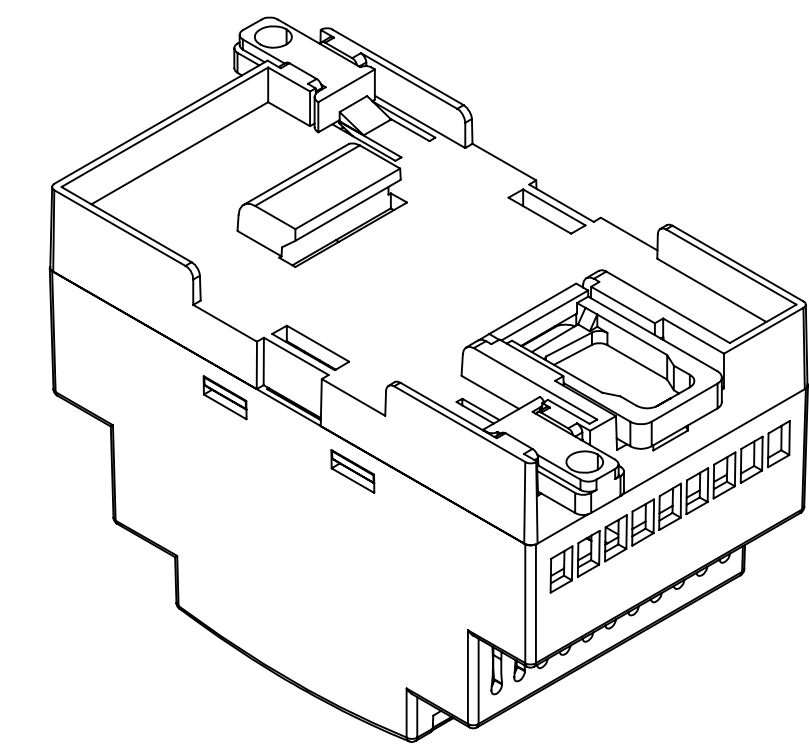
SURFACE-19



SURFACE-18



SURFACE-16



SURFACE-20

REV. NO.	DATE	REVISED BY	DESCRIPTION OF CHANGE
www.altinkaya.com			
Customer Name:		Customer Ref.:	
Altinkaya Ref.:		Part Name: RT-203-C	
DRAWN	NAME	DATE	Drawn From:
CHECKED	Y. YESILOZ	29.07.2024	Material:
DIMENSIONAL TOLERANCES UNLESS OTHERWISE SPECIFIED:		0.5-3mm	3-6mm
		±0.1	±0.1
		±0.2	±0.3
		±0.5	±0.5
SCALE 1:1			UNIT : mm
Dimension(mm)			A1
m(medium)			SHEET 2 OF 2