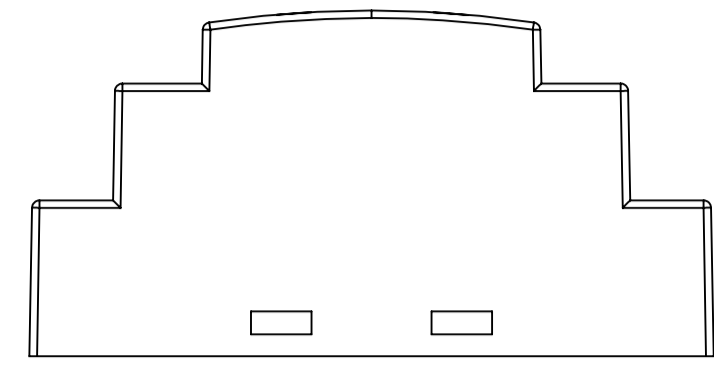
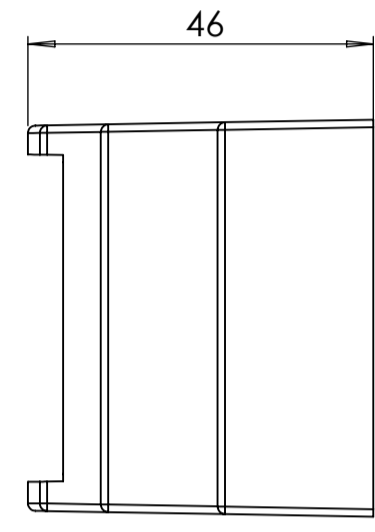


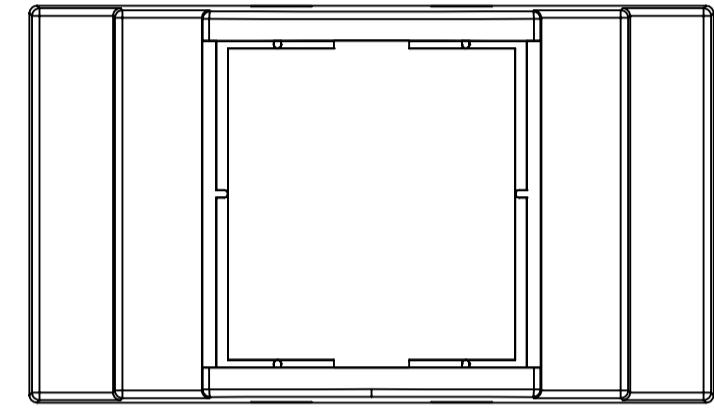
BASE: 6 SURFACE



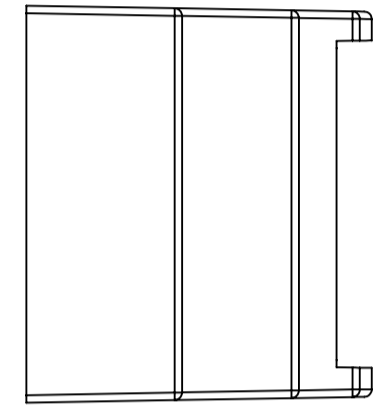
SURFACE-1



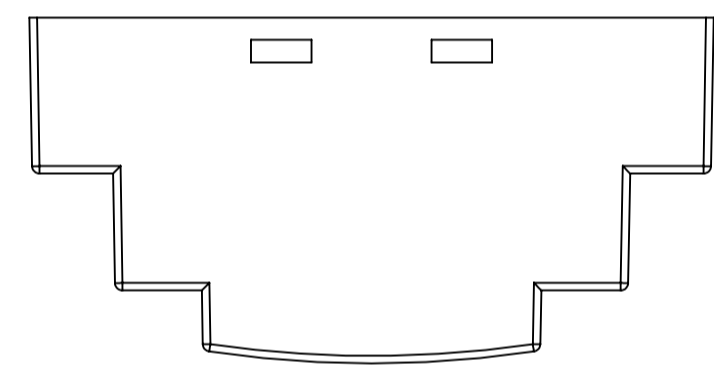
SURFACE-3



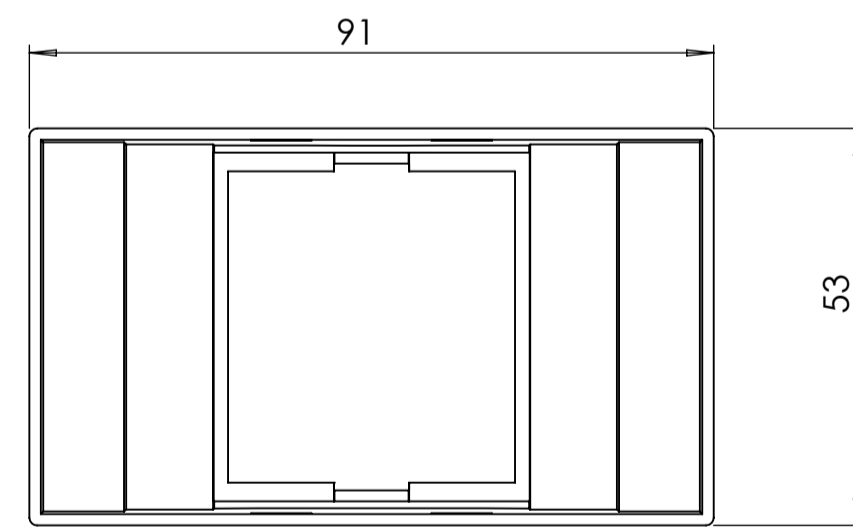
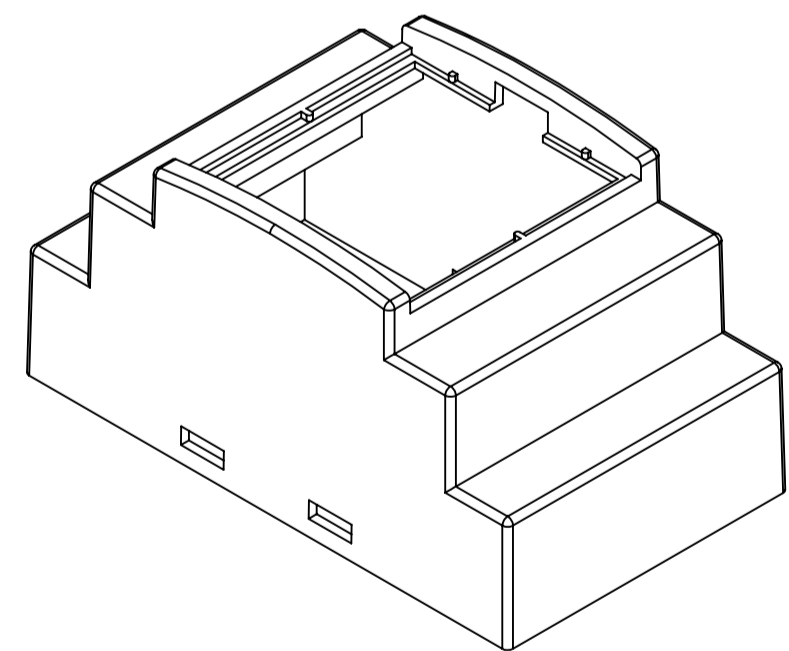
SURFACE-5



SURFACE-4

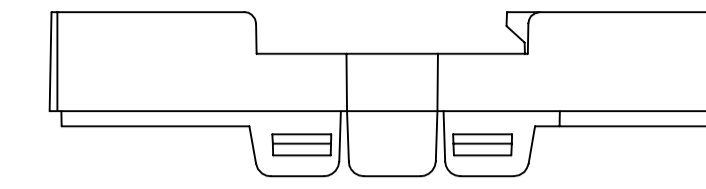


SURFACE-2

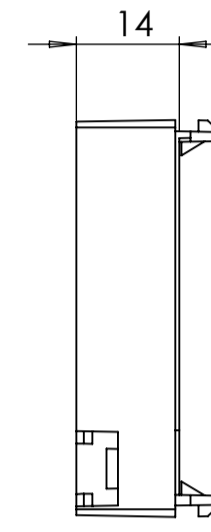


SURFACE-6 (INSIDE)

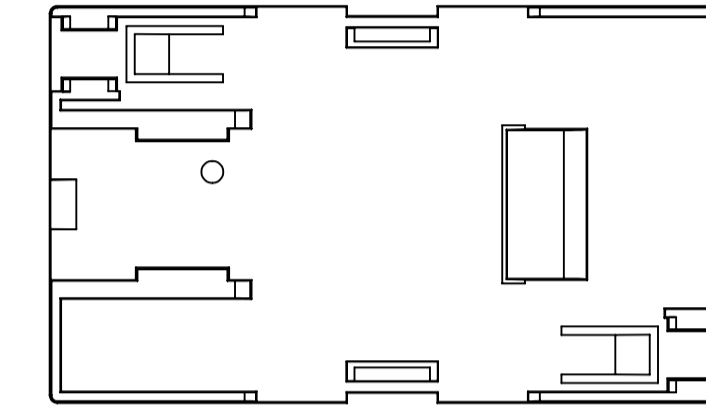
COVER: 6 SURFACE



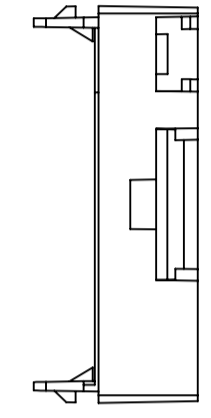
SURFACE-7



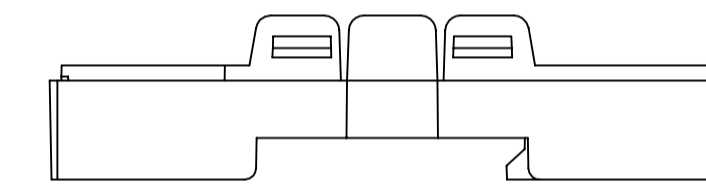
SURFACE-9



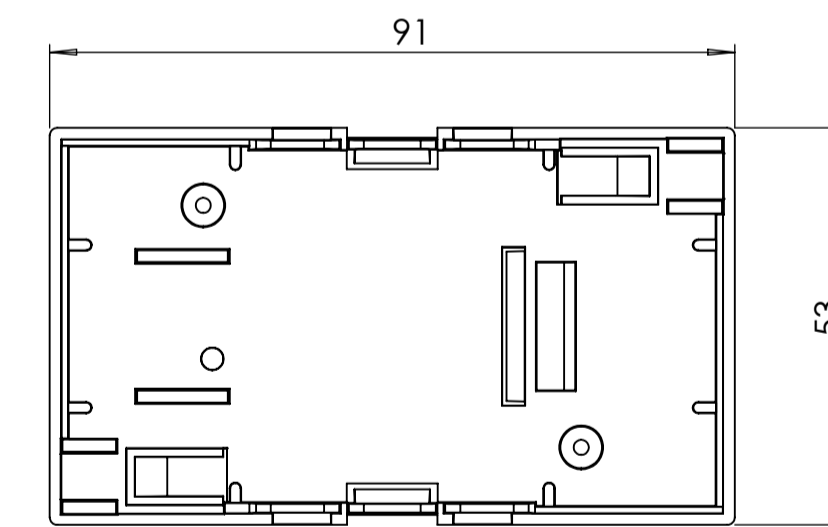
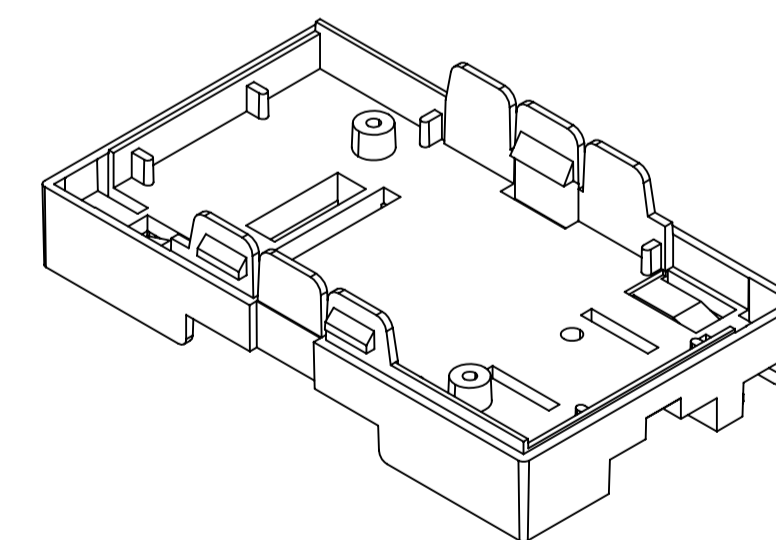
SURFACE-11



SURFACE-10

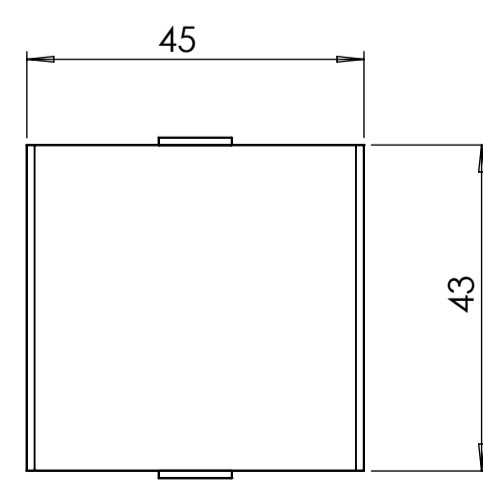
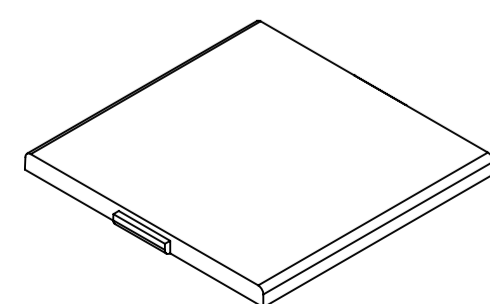


SURFACE-8

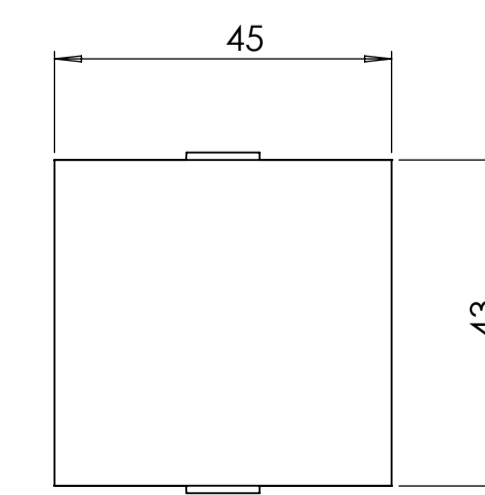
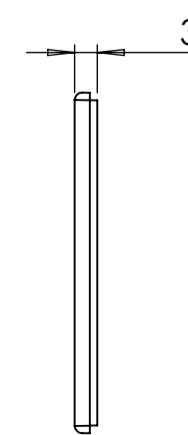


SURFACE-12 (INSIDE)


PANEL: 2 SURFACE



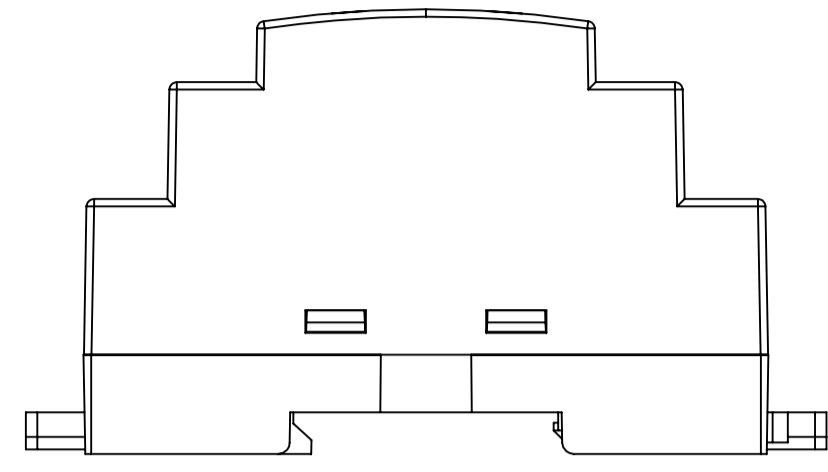
SURFACE-13



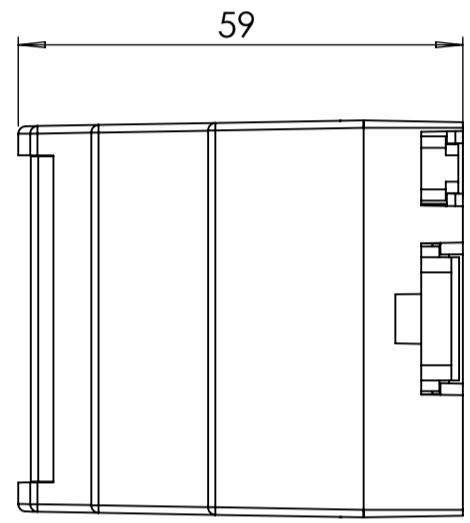
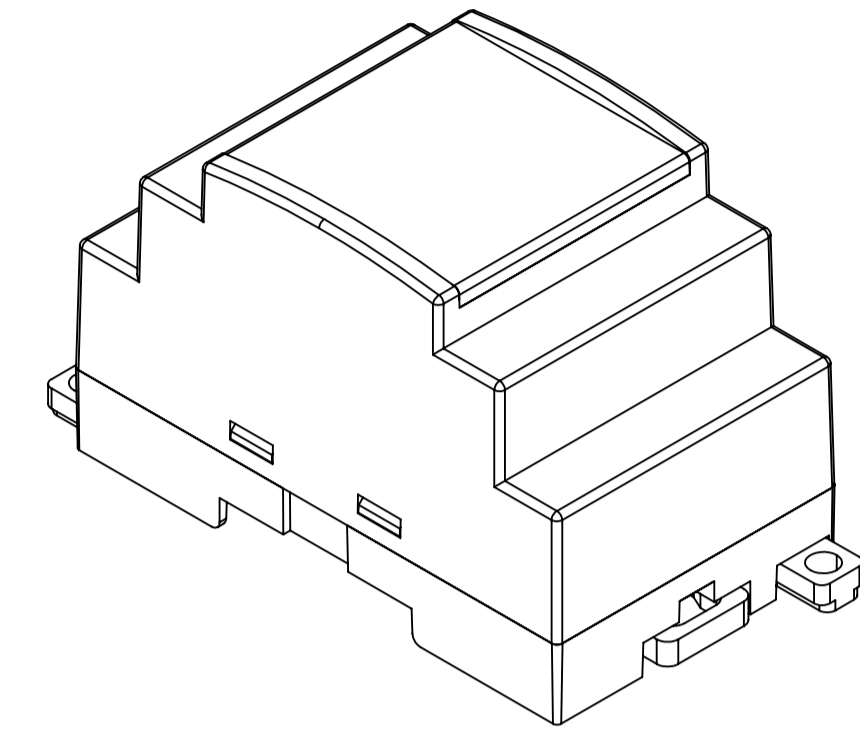
SURFACE-14 (INSIDE)

REV. NO.	DATE	REVISED BY	DESCRIPTION OF CHANGE
 www.altinkaya.com			
Customer Name:		Customer Ref.:	
Altinkaya Ref.:		Part Name: RT-203-A	
DRAWN	NAME	DATE	Drawn From:
CHECKED	Y. YEL	29.07.2024	Material:
DIMENSIONAL TOLERANCES UNLESS OTHERWISE SPECIFIED:		Weight:	SCALE 1:1 UNIT : mm
[R47.148]	±0.1	±0.1	±0.2
	±0.3	±0.5	±0.5
			Dimension(mm) m(medium)
			120-400mm
			30-120mm
			6-30mm
			3-6mm
			0.5-3mm
			1
			2
			3
			4
			5
			6
			7
			8
			9
			10
			11
			12
			13
			14
			15
			16
			A1
			SHEET 1 OF 2

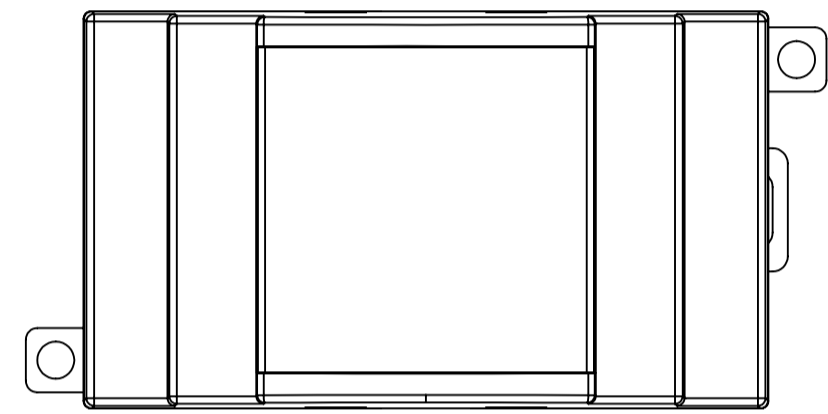
RT-203-A IF MACHINED TOGETHER



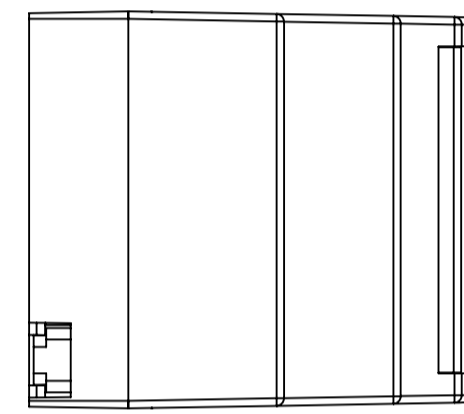
SURFACE-15



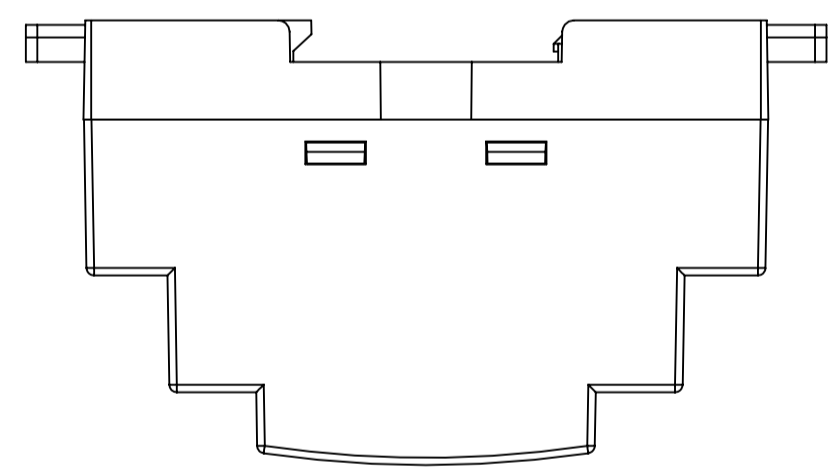
SURFACE-17



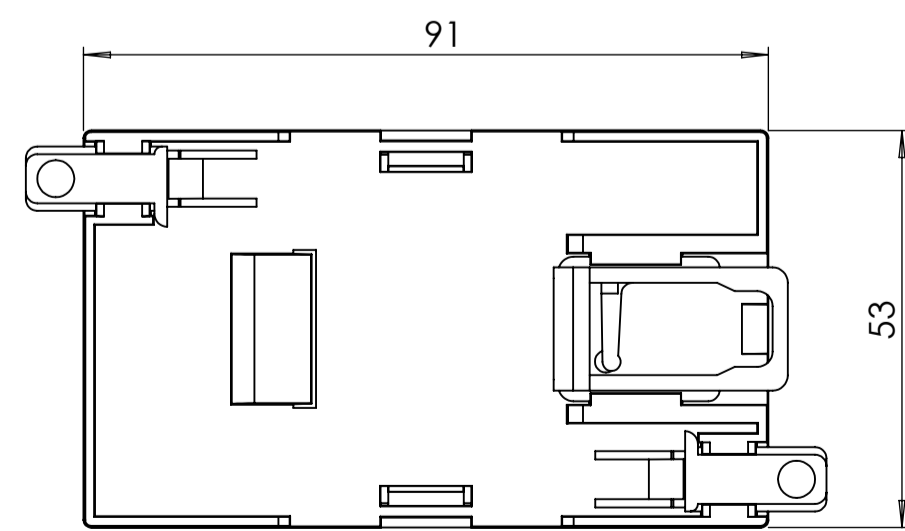
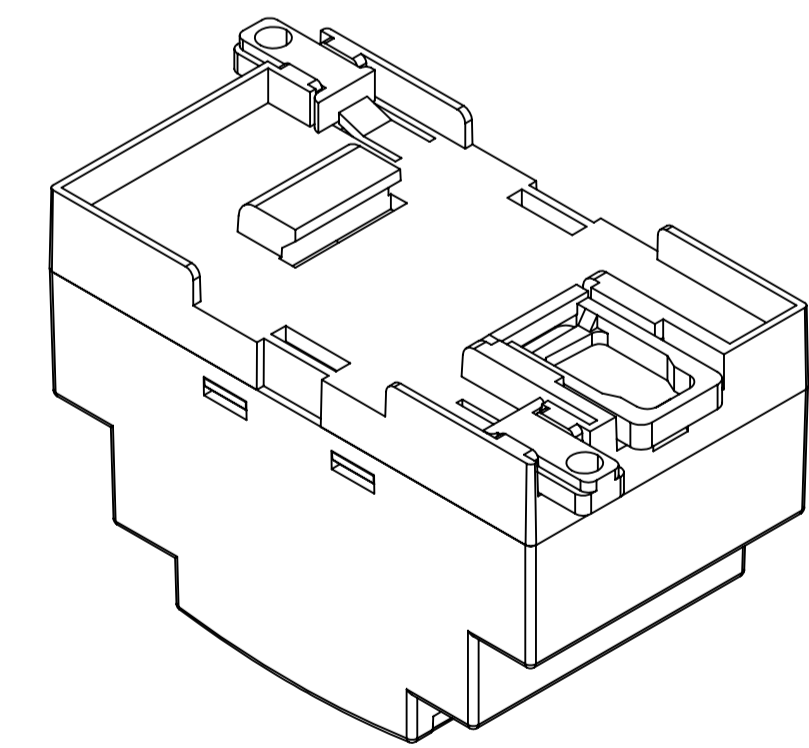
SURFACE-19



SURFACE-18



SURFACE-16



SURFACE-20

REV. NO.	DATE	REVISED BY	DESCRIPTION OF CHANGE
www.altinkaya.com			
Customer Name:		Customer Ref.:	
Altinkaya Ref.:		Part Name: RT-203-A	
DRAWN	NAME	DATE	Drawn From:
CHECKED	Y. YESLOZ	29.07.2024	Material:
DIMENSIONAL TOLERANCES UNLESS OTHERWISE SPECIFIED:			SCALE 1:1 UNIT : mm
(DIN7148)	±0.1	±0.1	±0.2 ±0.3 ±0.5
	3-6mm	6-30mm	30-120mm 120-400mm
			Dimension(mm) m(medium)
			SHEET 2 OF 2