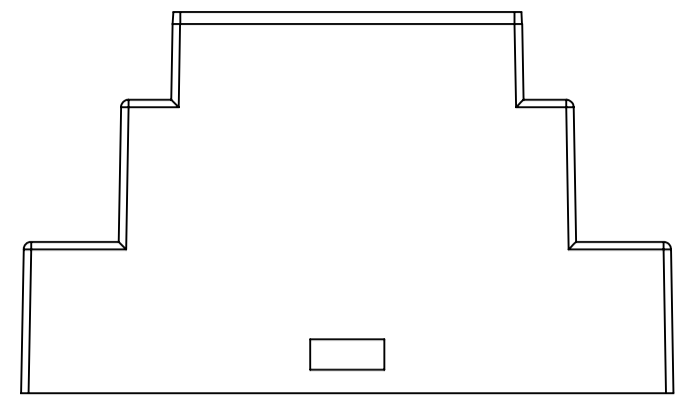
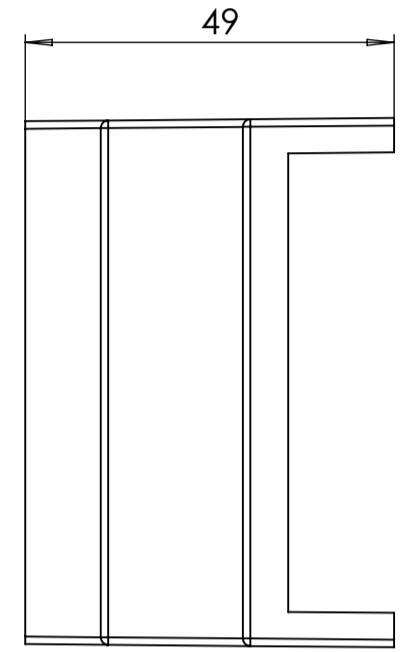


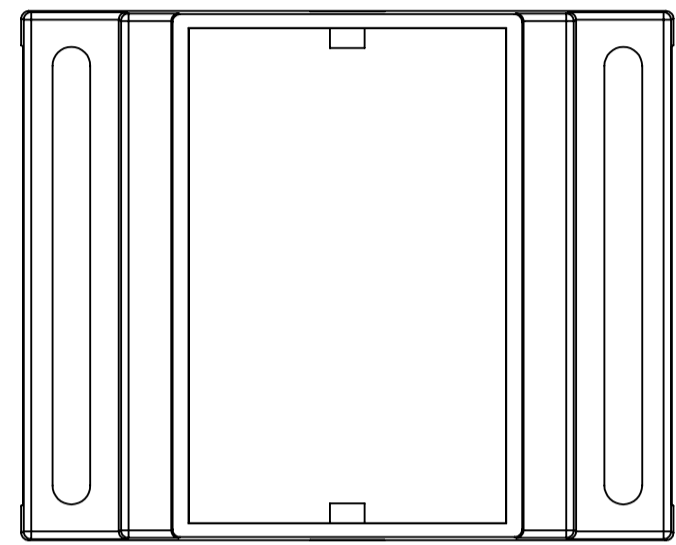
**BASE: 6 SURFACE**



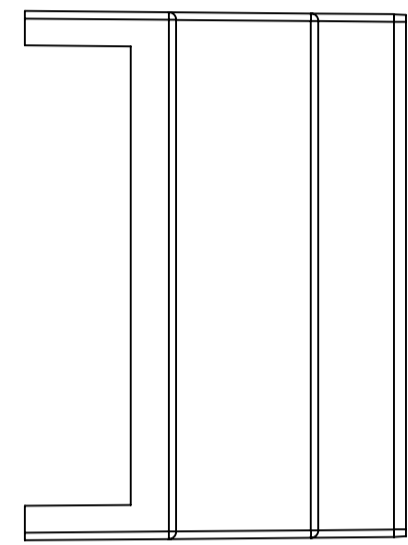
SURFACE-1



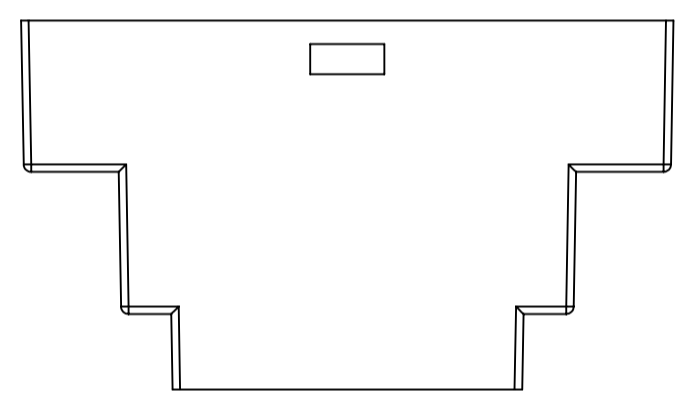
SURFACE-3



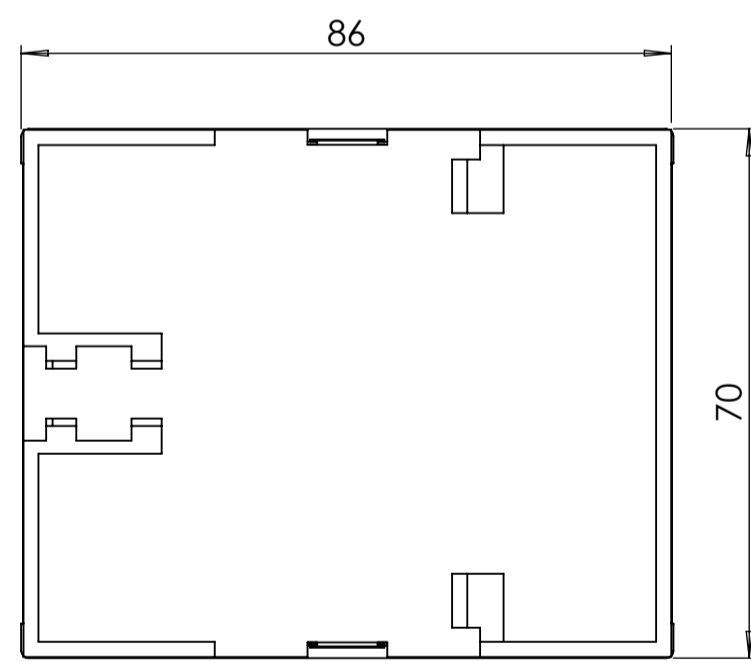
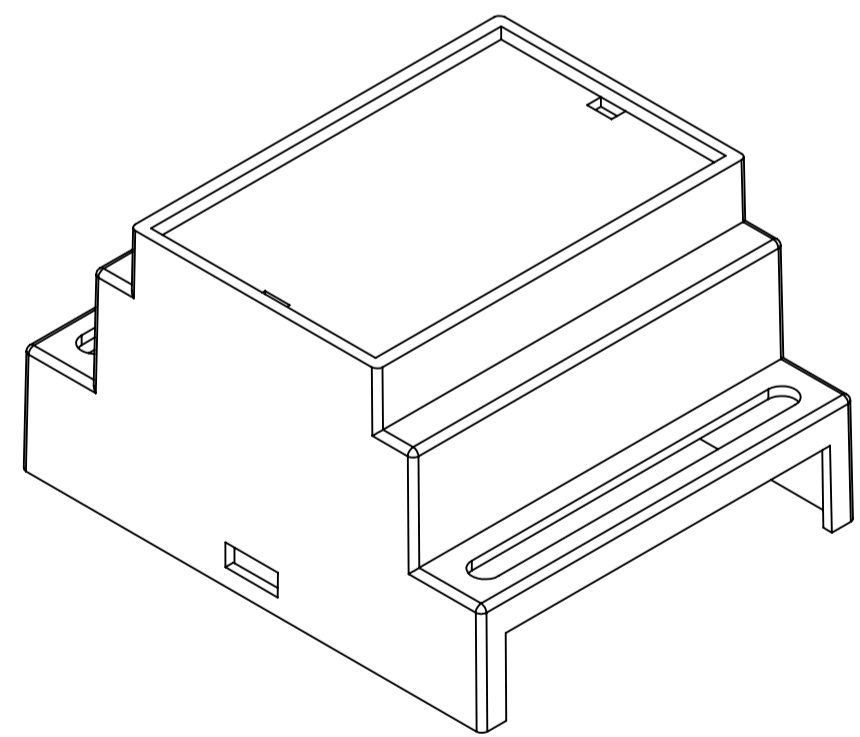
SURFACE-5



SURFACE-4

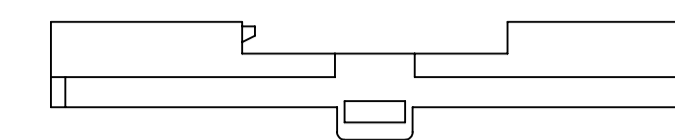


SURFACE-2

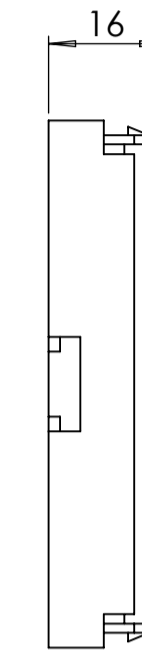


SURFACE-6 (INSIDE)

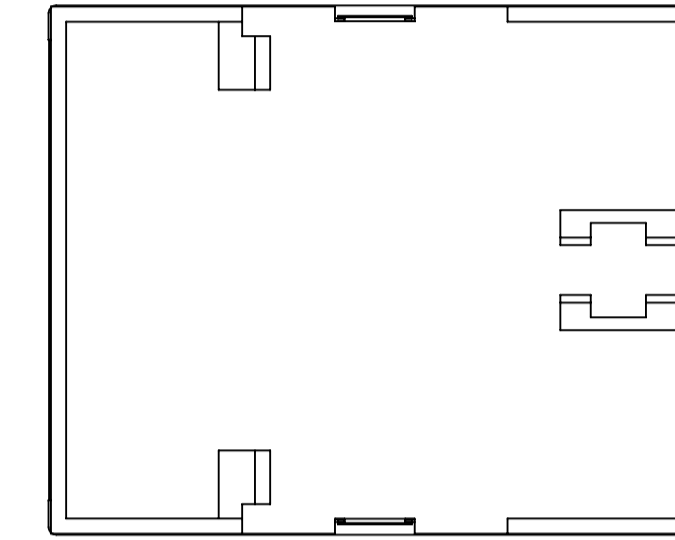
**COVER: 6 SURFACE**



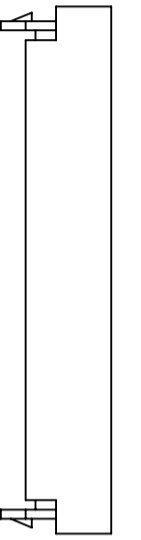
SURFACE-7



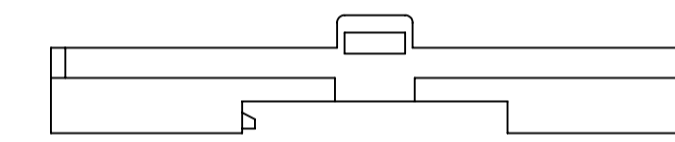
SURFACE-9



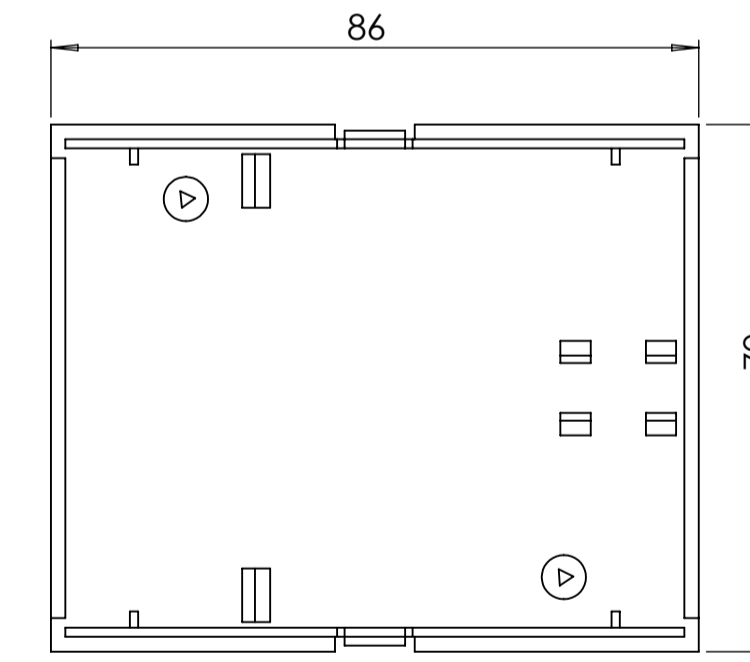
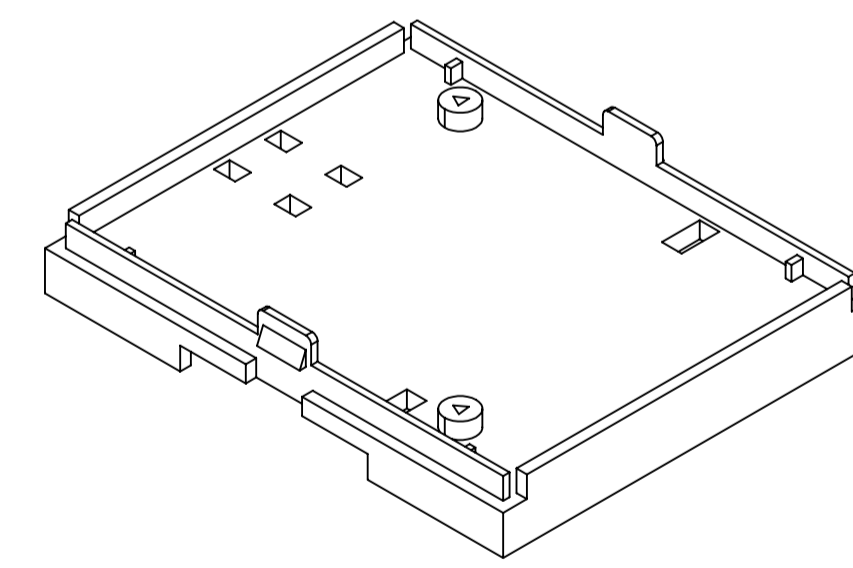
SURFACE-11



SURFACE-10

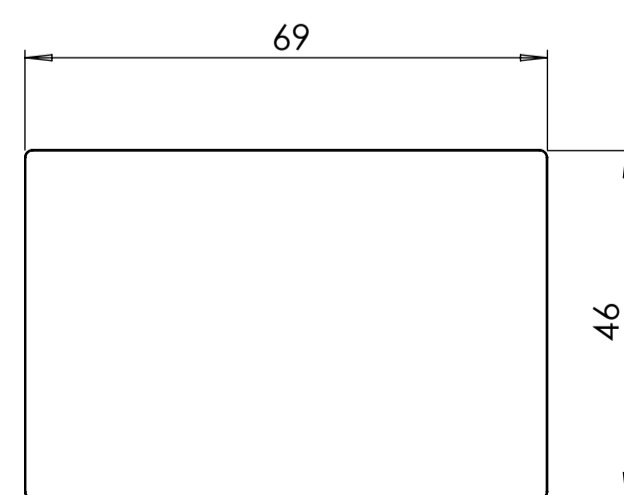
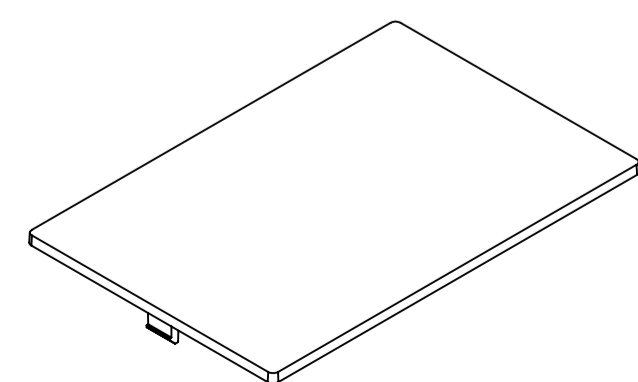


SURFACE-8

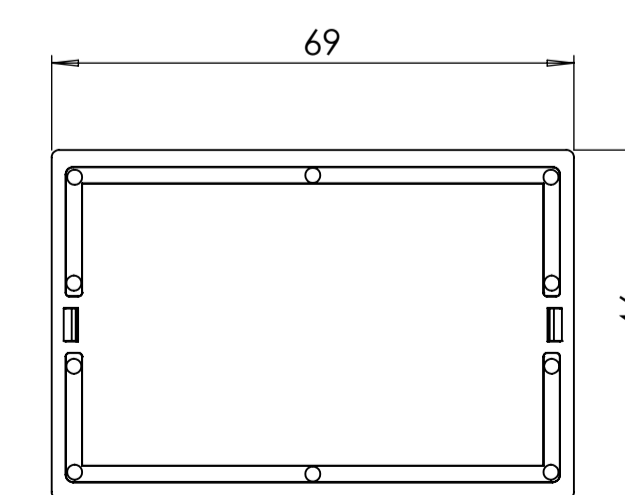


SURFACE-12 (INSIDE)

**PANEL: 2 SURFACE**



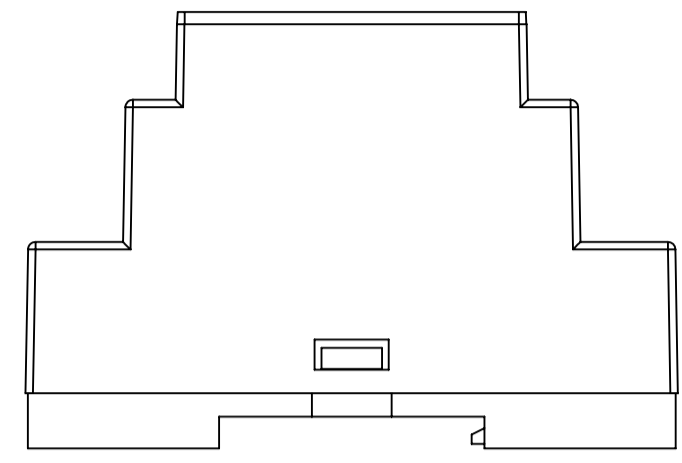
SURFACE-13



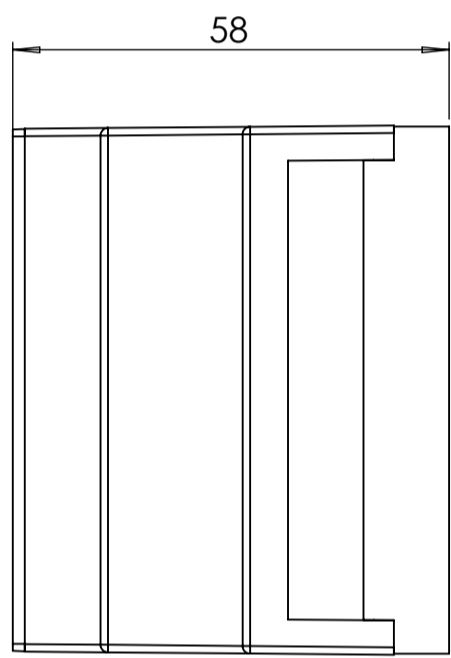
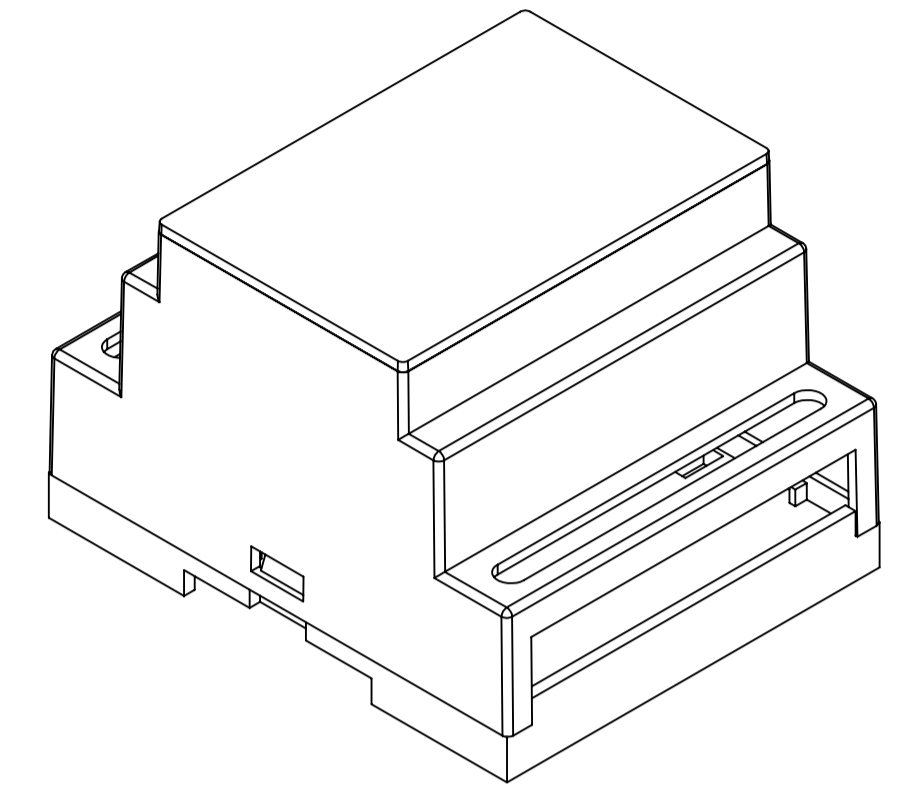
SURFACE-14 (INSIDE)

| REV. NO.   | DATE  | REVISED BY          | DESCRIPTION OF CHANGE |
|--|-------|---------------------|-----------------------|
| <b>ALTINKAYA</b><br>Electronic Enclosures & Components<br><a href="http://www.altinkaya.com">www.altinkaya.com</a> |       |                     |                       |
| Customer Name:   |       | Customer Ref.:      |                       |
| Altinkaya Ref.:  |       | Part Name: RT-104-C |                       |
| DRAWN  | NAME  | DATE                | Drawn From:           |
| CHECKED  | Y.YEL | 24.07.2024          | Material:             |
| DIMENSIONAL TOLERANCES UNLESS OTHERWISE SPECIFIED:   |       | Weight:             | SCALE 1:1 UNIT : mm   |
| (DIN7148)  | ±0.1  | ±0.1                | ±0.2                  |
|  | ±0.3  | ±0.3                | ±0.5                  |
|  |       |                     | Dimension(mm)         |
|  |       |                     | 30-120mm              |
|  |       |                     | 120-400mm             |
|  |       |                     | m(medium)             |
|  |       |                     | A1                    |
|  |       |                     | SHEET 1 OF 2          |

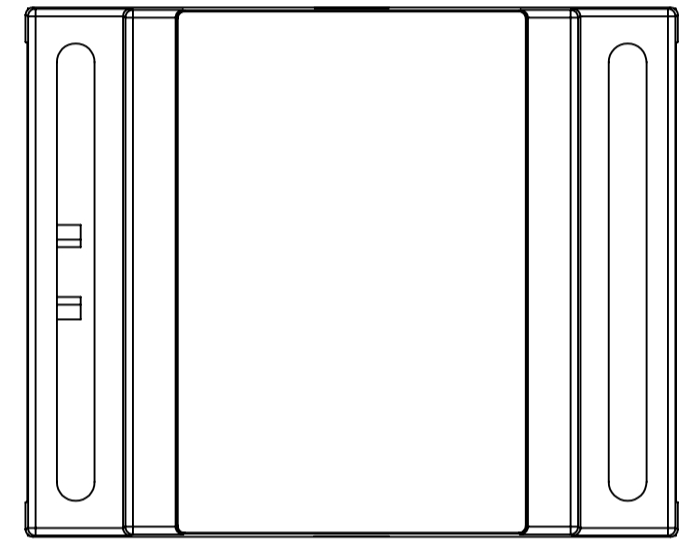
# RT-104-C IF MACHINED TOGETHER



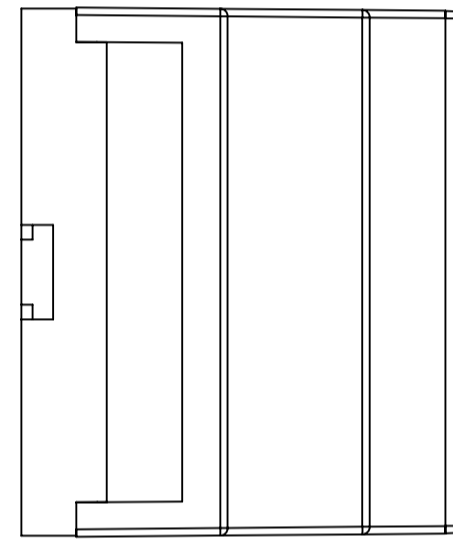
SURFACE-15



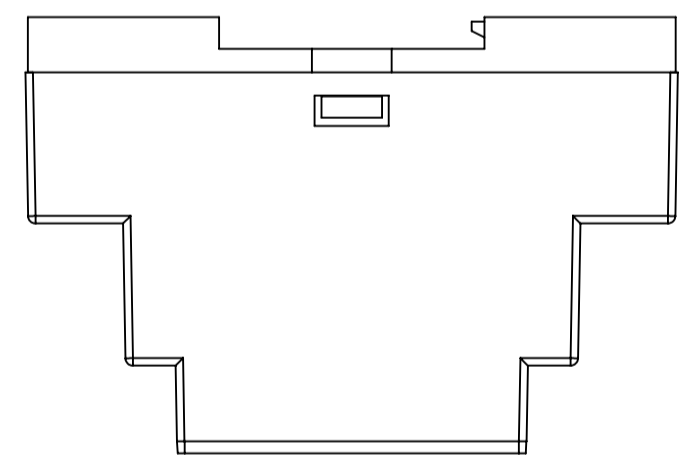
SURFACE-17



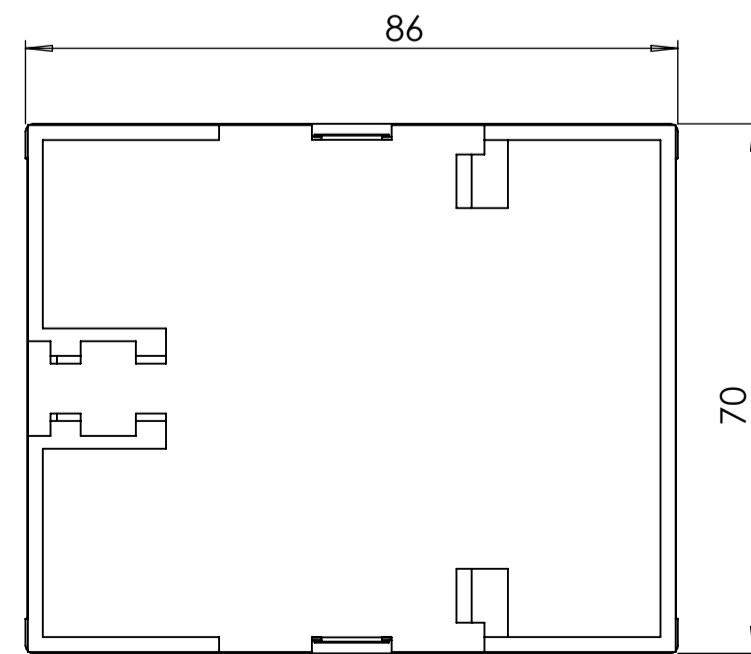
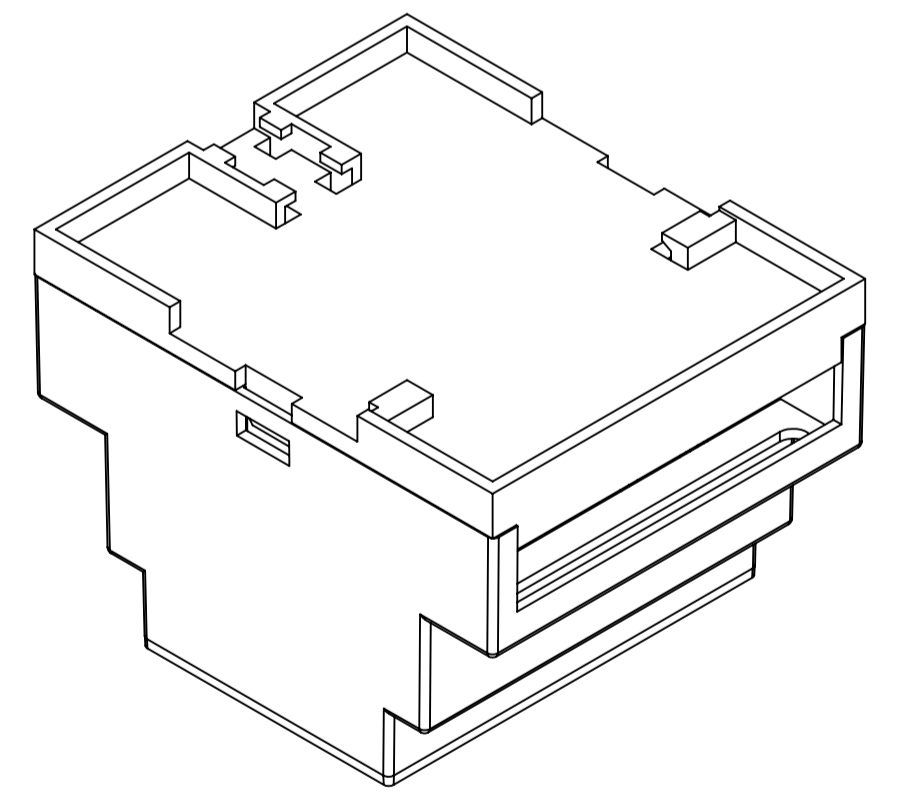
SURFACE-19



SURFACE-18



SURFACE-16



SURFACE-20

| REV. NO.   | DATE      | REVISED BY          | DESCRIPTION OF CHANGE |
|--|-----------|---------------------|-----------------------|
| <b>ALTINKAYA</b><br>Electronic Enclosures & Components |           |                     |                       |
| Customer Name:   |           | Customer Ref.:      |                       |
| Altinkaya Ref.:  |           | Part Name: RT-104-C |                       |
| DRAWN  | NAME      | DATE                | Drawn From:           |
| CHECKED  | Y. YESLOZ | 24.07.2024          | Material:             |
| DIMENSIONAL TOLERANCES UNLESS OTHERWISE SPECIFIED:     |           |                     | SCALE 1:1 UNIT : mm   |
| (mm)   | ±0.1      | ±0.1                | ±0.2                  |
| (mm)   | ±0.1      | ±0.2                | ±0.3                  |
| (mm)   | ±0.1      | ±0.2                | ±0.5                  |
| (mm)   | ±0.1      | ±0.2                | ±0.5                  |
| (mm)   | ±0.1      | ±0.2                | ±0.5                  |