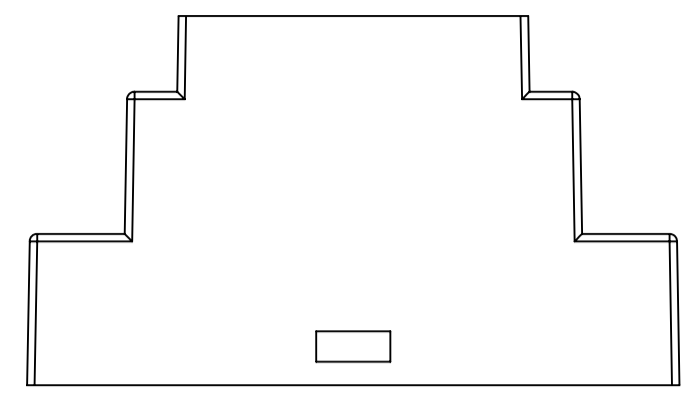
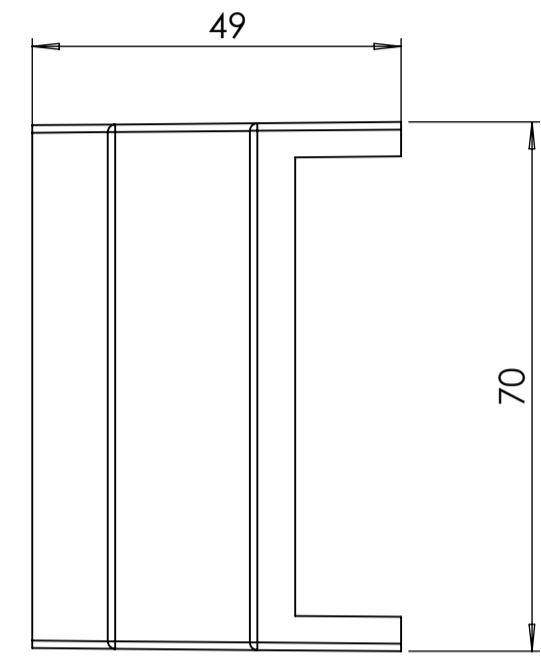


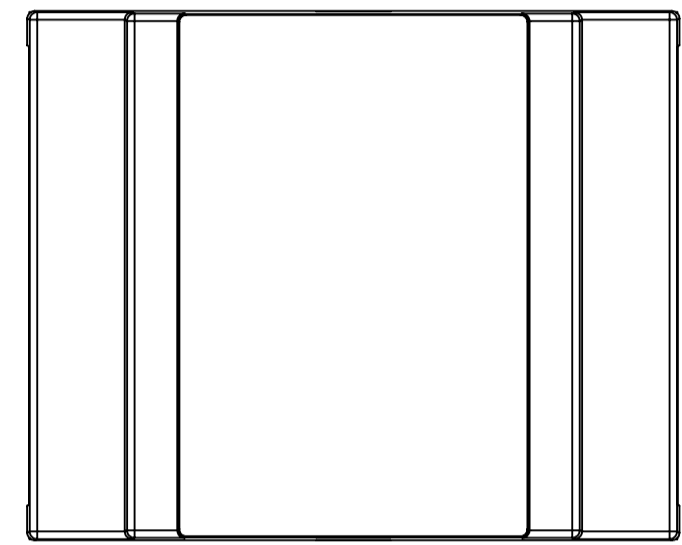
**BASE: 6 SURFACE**



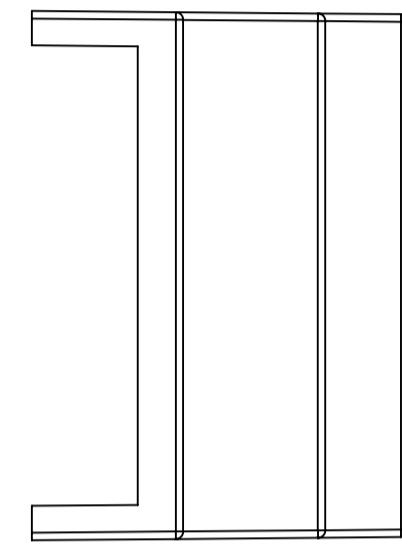
SURFACE-1



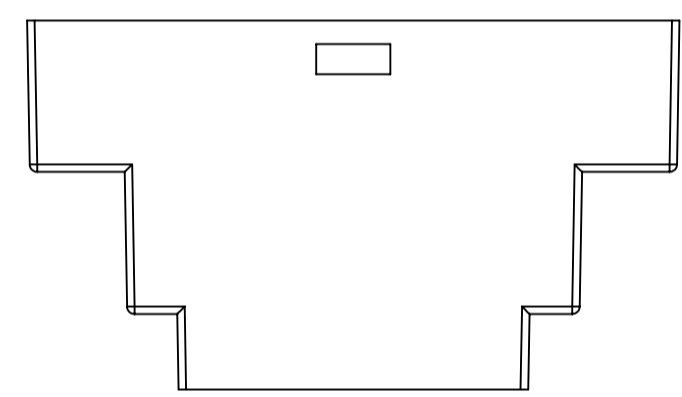
SURFACE-3



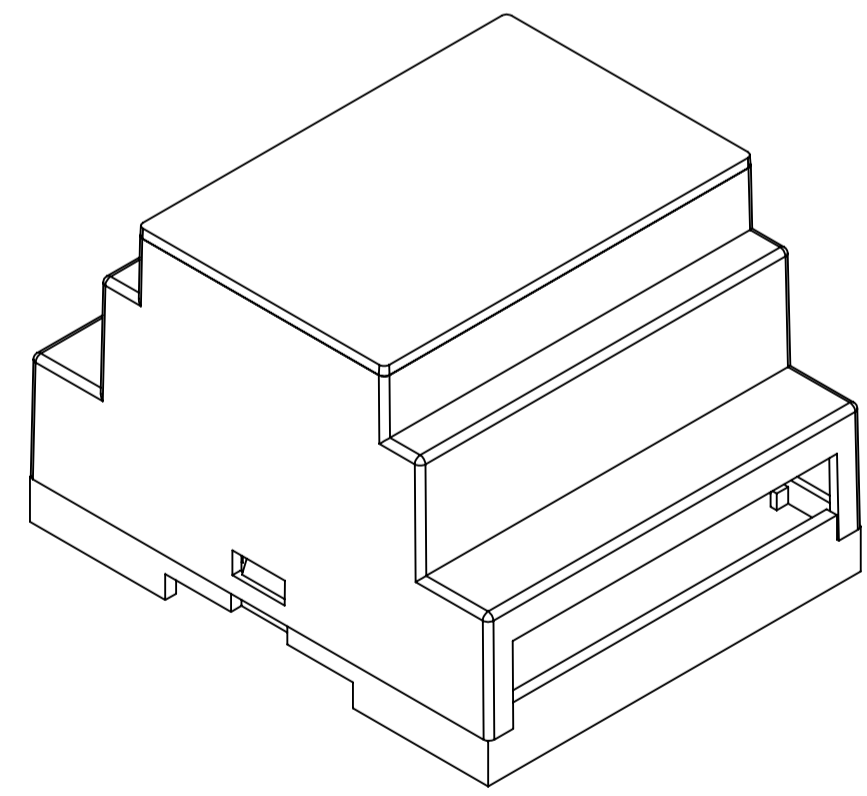
SURFACE-5



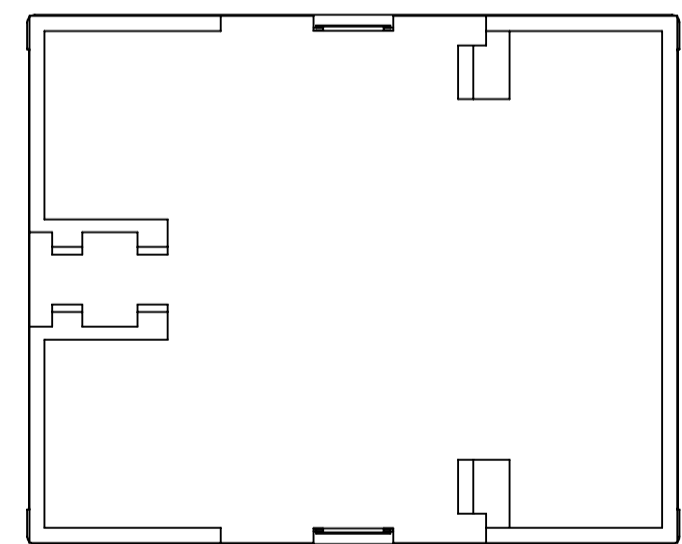
SURFACE-4



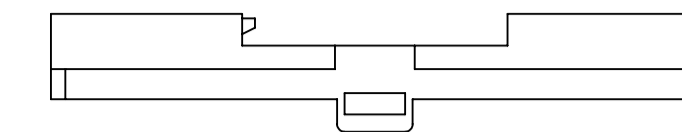
SURFACE-2



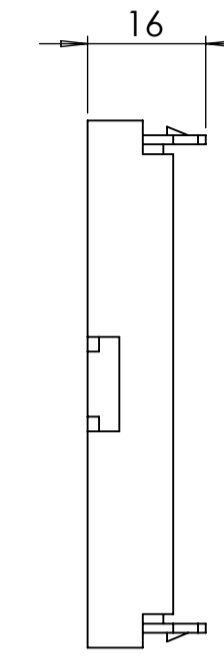
SURFACE-6 (INSIDE)



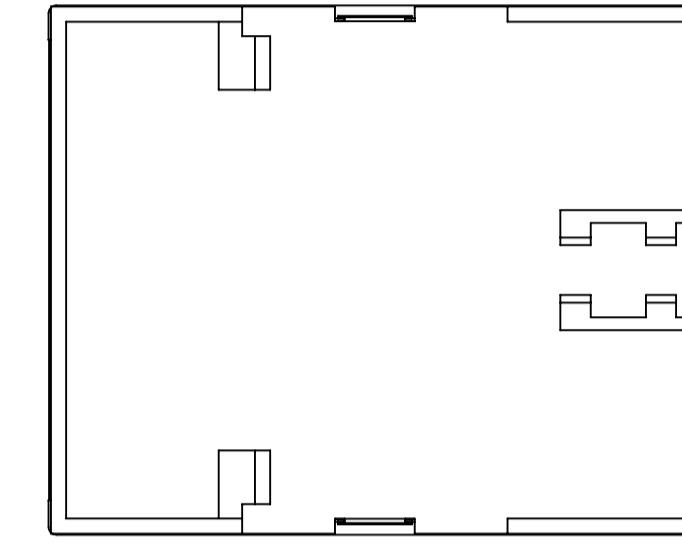
**COVER: 6 SURFACE**



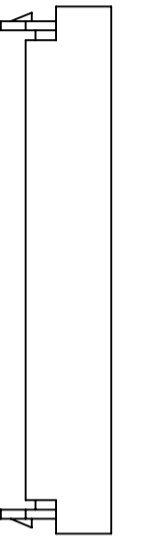
SURFACE-7



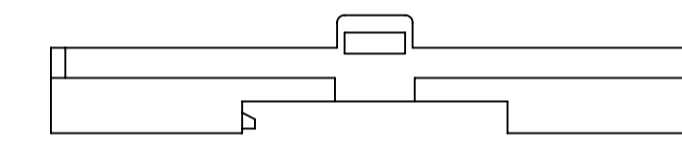
SURFACE-9



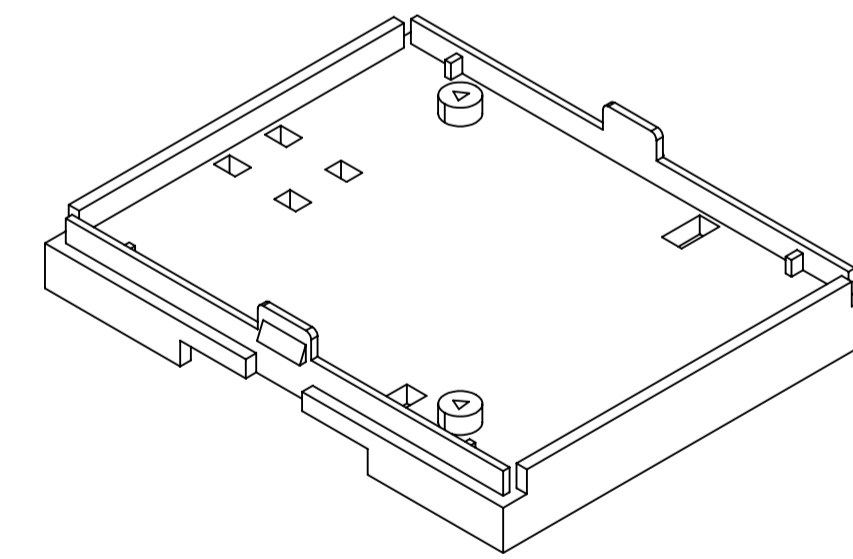
SURFACE-11



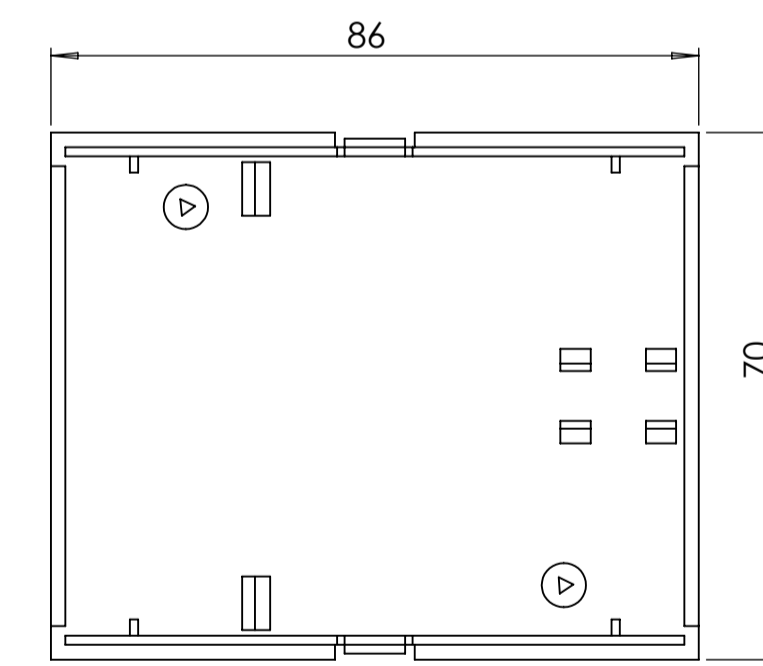
SURFACE-10



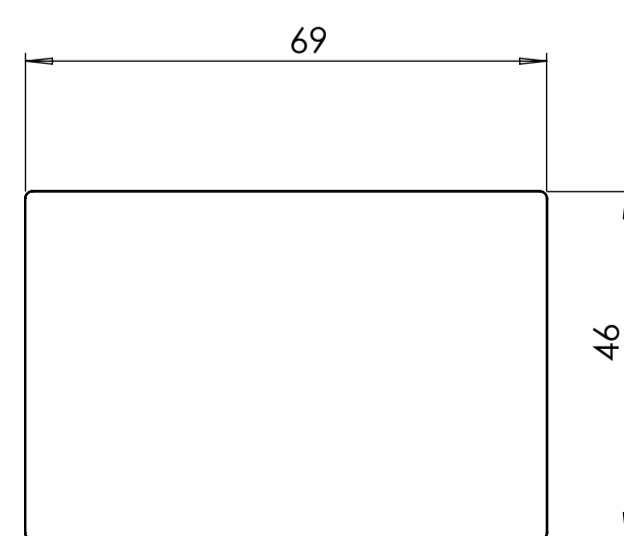
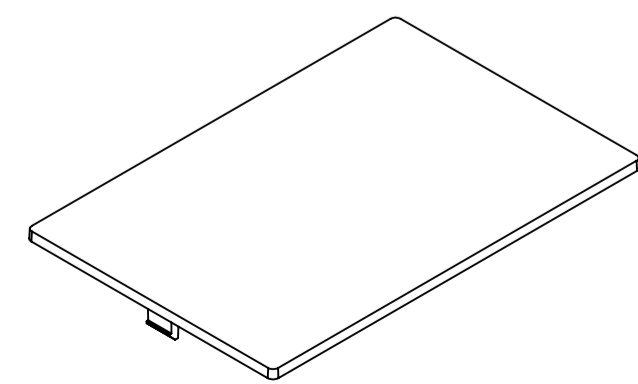
SURFACE-8



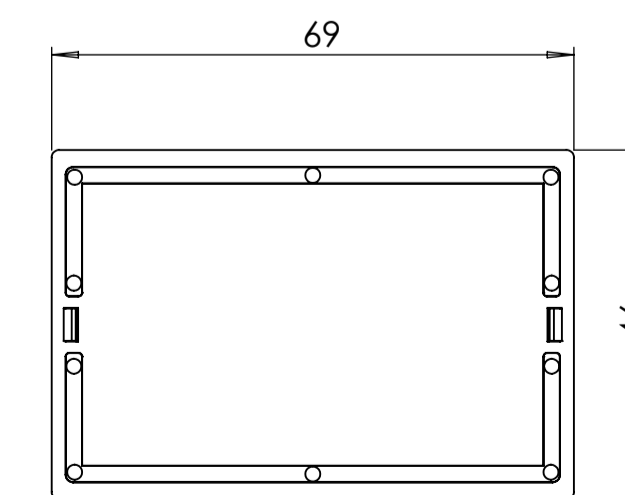
SURFACE-12 (INSIDE)




**PANEL: 2 SURFACE**



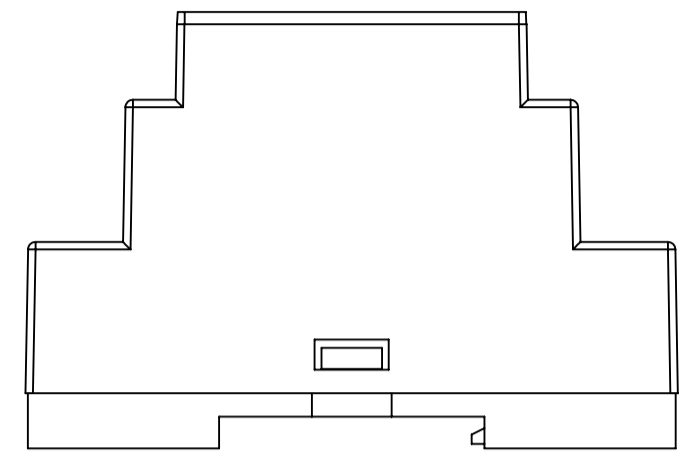
SURFACE-13



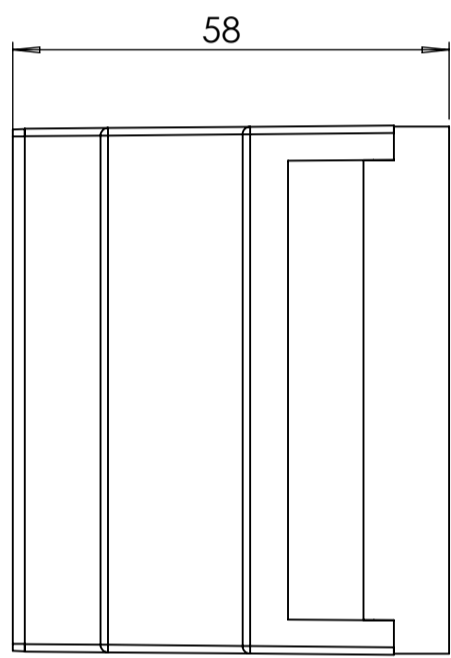
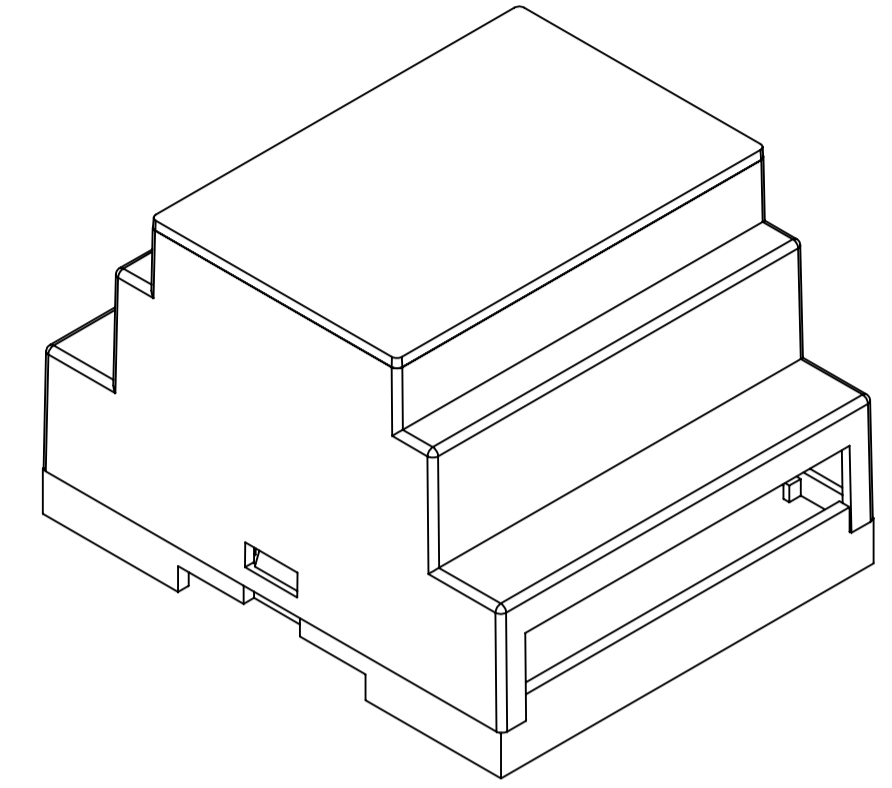
SURFACE-14 (INSIDE)

REV. NO.	DATE	REVISED BY	DESCRIPTION OF CHANGE
 <b>ALTINKAYA</b> Electronic Enclosures & Components <a href="http://www.altinkaya.com">www.altinkaya.com</a>			
Customer Name:		Customer Ref.:	
Altinkaya Ref.:		Part Name: RT-104-B	
DRAWN	NAME	DATE	Drawn From:
CHECKED	Y.YEL	24.07.2024	Material:
DIMENSIONAL TOLERANCES UNLESS OTHERWISE SPECIFIED:		Weight:	SCALE 1:1 UNIT : mm
(DIN7148)	±0.1	±0.1	±0.2
	3-6mm	6-30mm	30-120mm
			120-400mm
			Dimension(mm)
			m(medium)
			±0.5
			1
			SHEET 1 OF 2

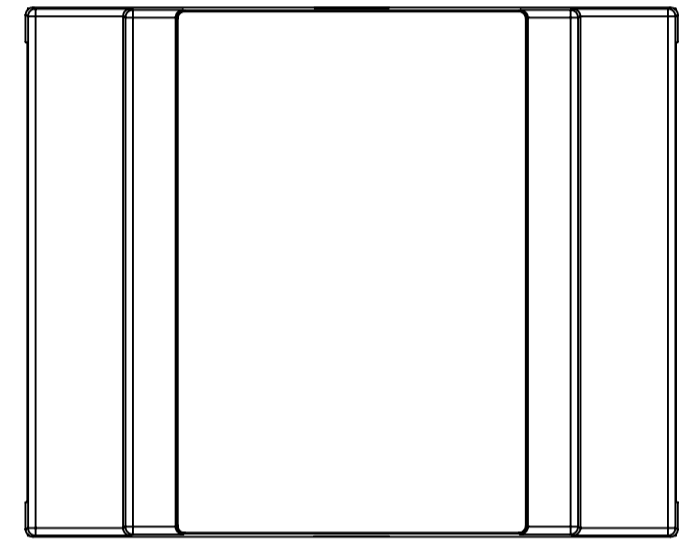
# RT-104-B IF MACHINED TOGETHER



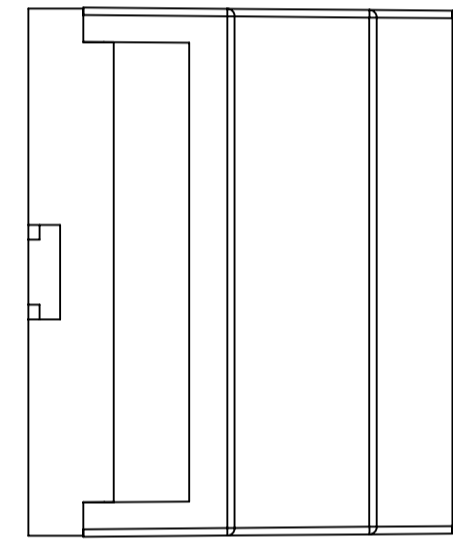
SURFACE-15



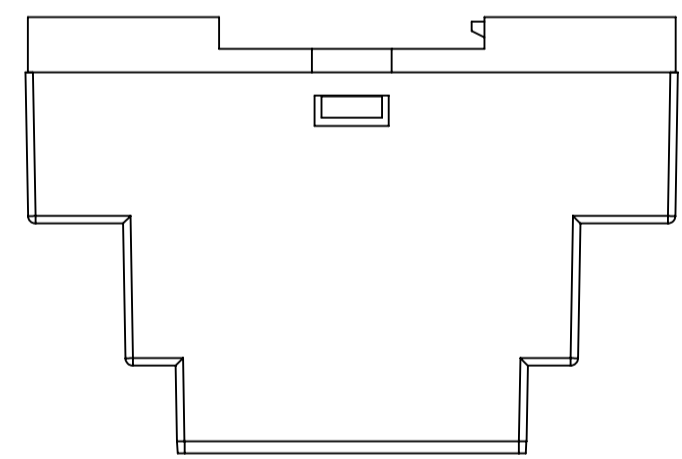
SURFACE-17



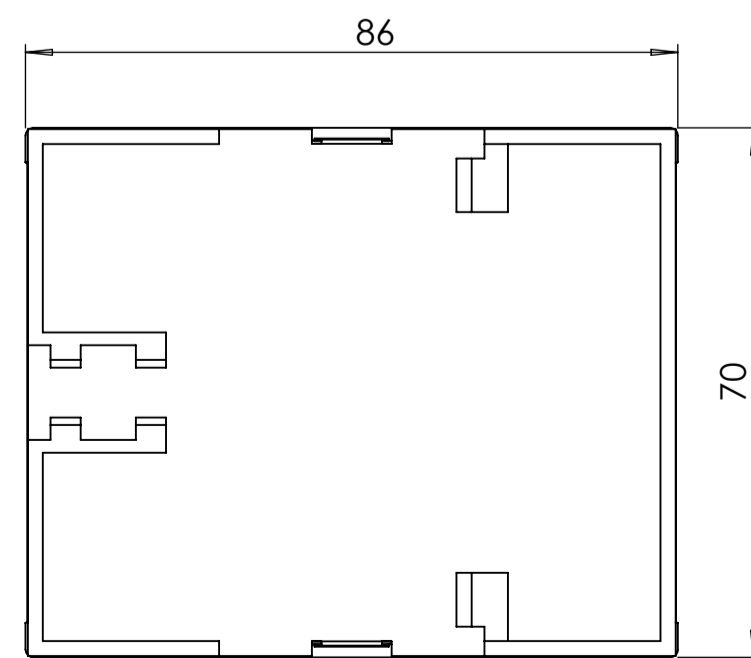
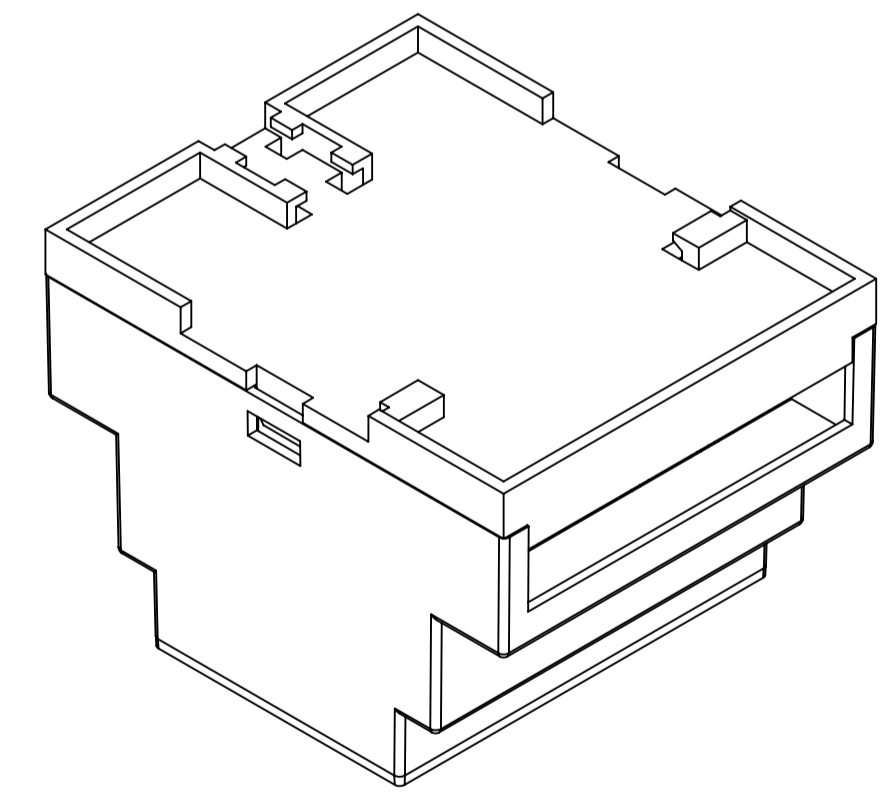
SURFACE-19



SURFACE-18



SURFACE-16



SURFACE-20

REV. NO.	DATE	REVISED BY	DESCRIPTION OF CHANGE
<b>ALTINKAYA</b> Electronic Enclosures & Components			<a href="http://www.altinkaya.com">www.altinkaya.com</a>
Customer Name:		Customer Ref.:	
Altinkaya Ref.:		Part Name: RT-104-B	
DRAWN	NAME	DATE	Drawn From:
CHECKED	Y. YESLOZ	24.07.2024	Material:
DIMENSIONAL TOLERANCES UNLESS OTHERWISE SPECIFIED:		Weight:	SCALE 1:1 UNIT : mm
(mm)	±0.1	±0.1	±0.2
		±0.3	±0.5
			Dimension(mm)
			30-120mm
			120-400mm
			m(medium)
			A1
			SHEET 2 OF 2