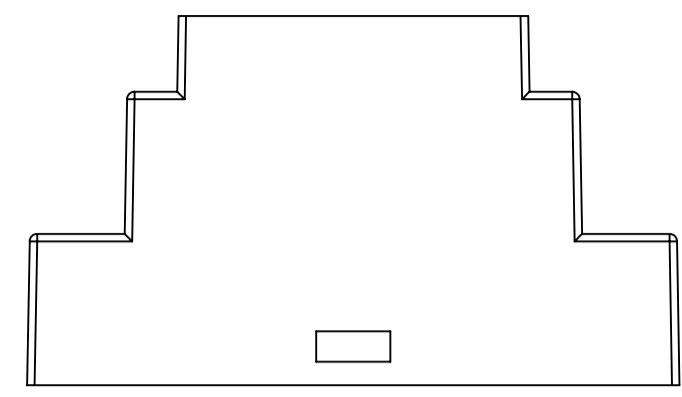
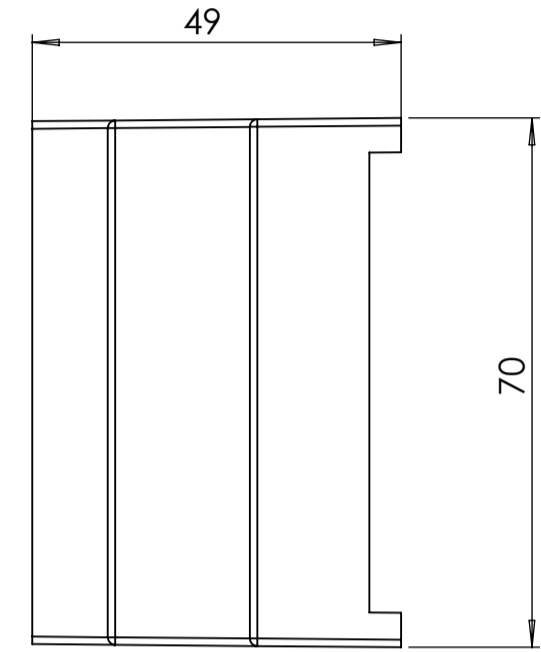


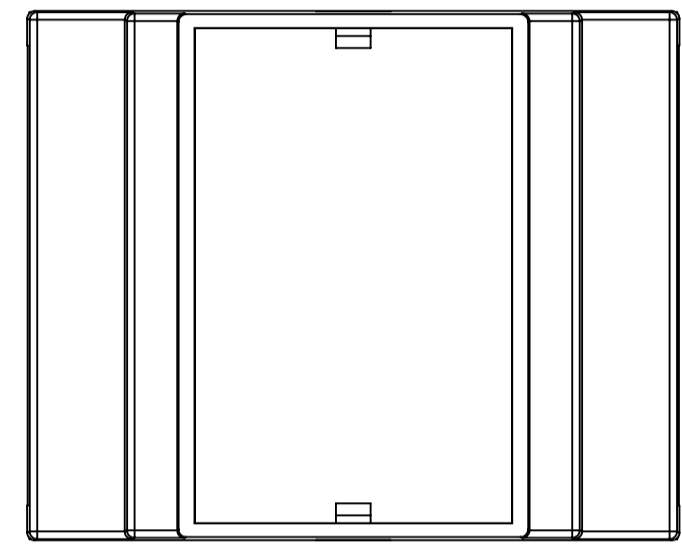
# BASE: 6 SURFACE



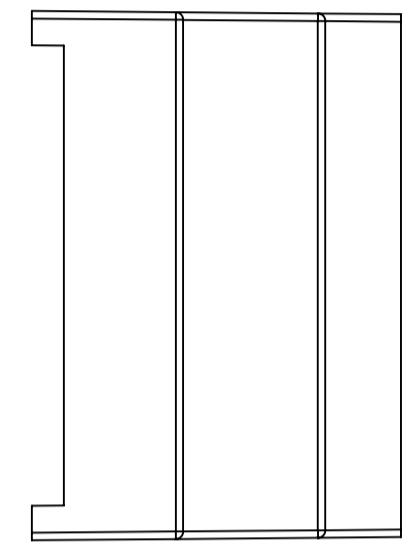
SURFACE-1



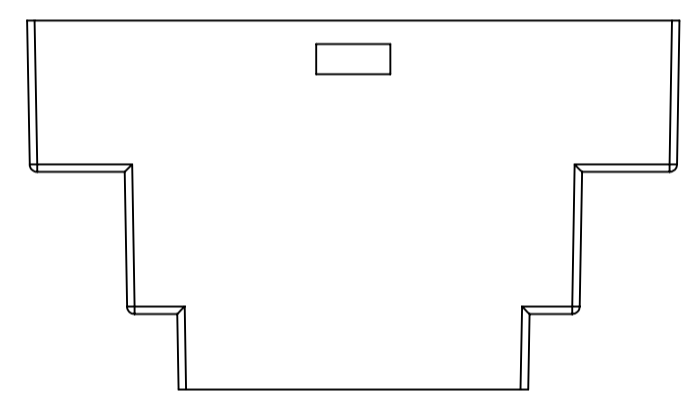
SURFACE-3



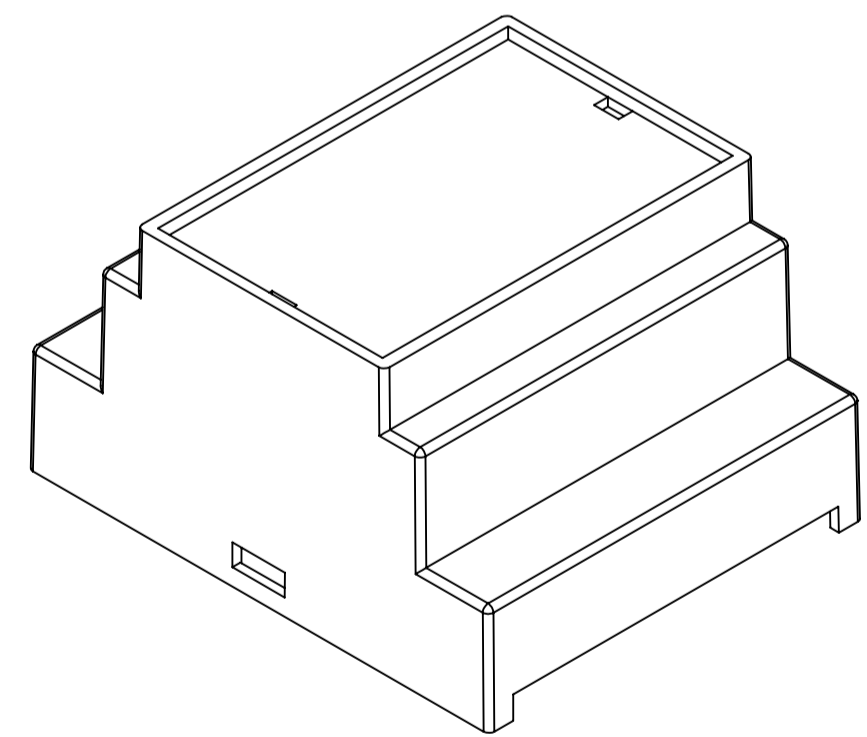
SURFACE-5



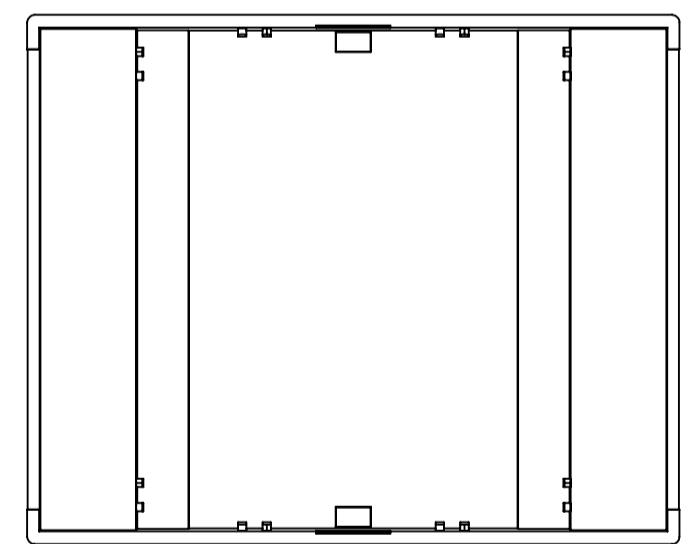
SURFACE-4



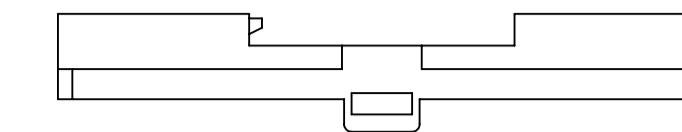
SURFACE-2



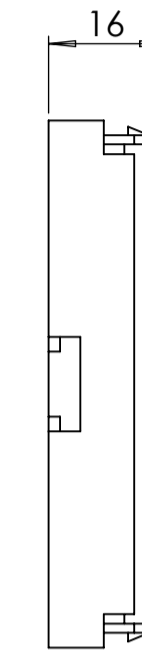
SURFACE-6 (INSIDE)



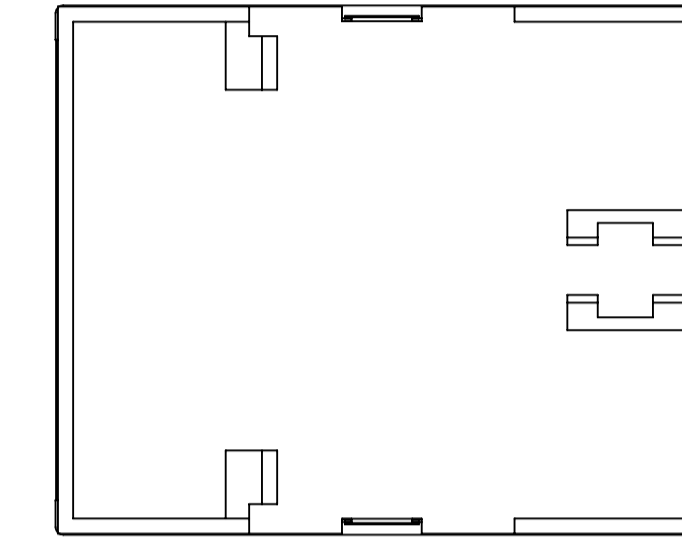
# COVER: 6 SURFACE



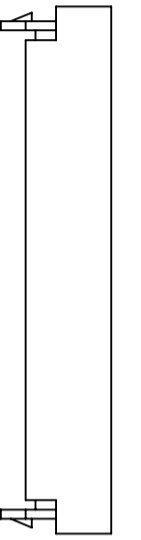
SURFACE-7



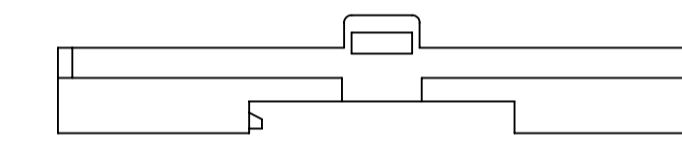
SURFACE-9



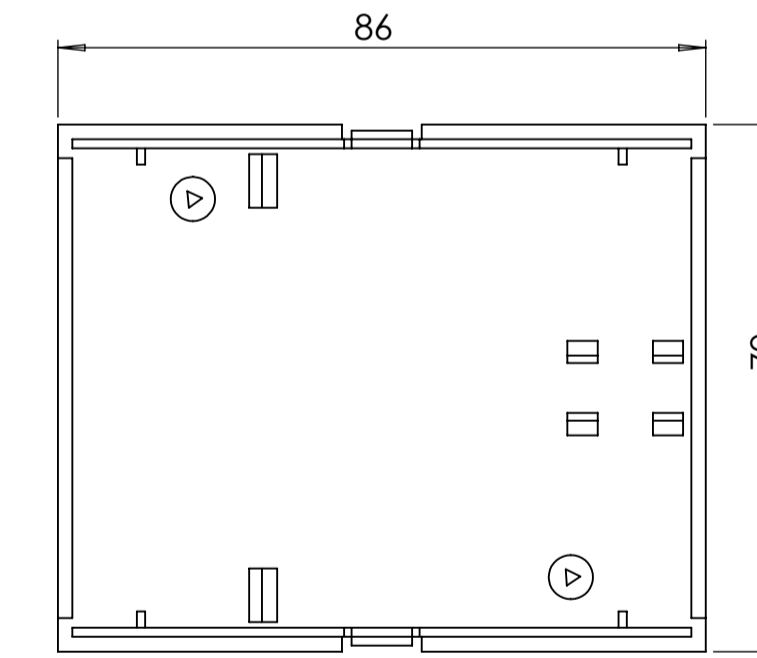
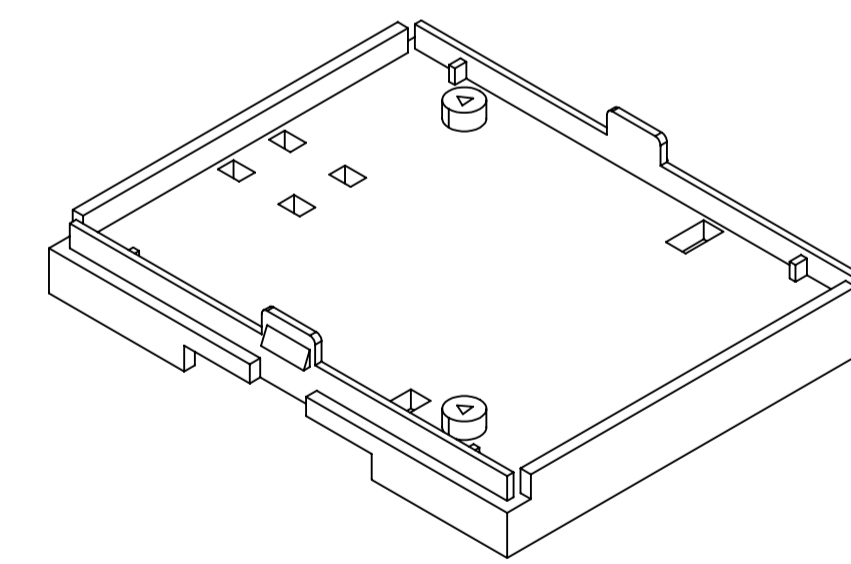
SURFACE-11



SURFACE-10

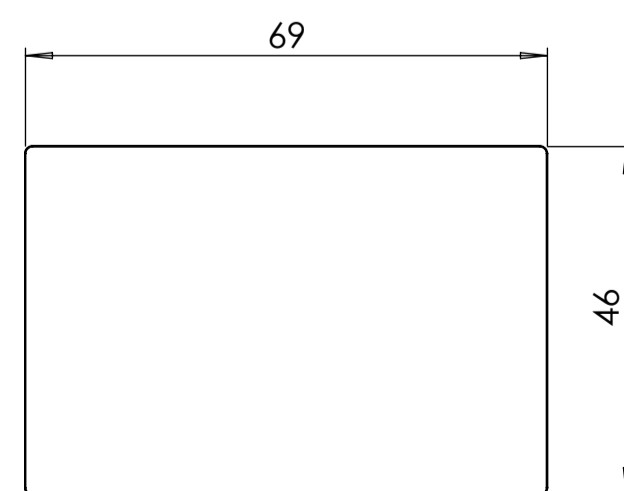
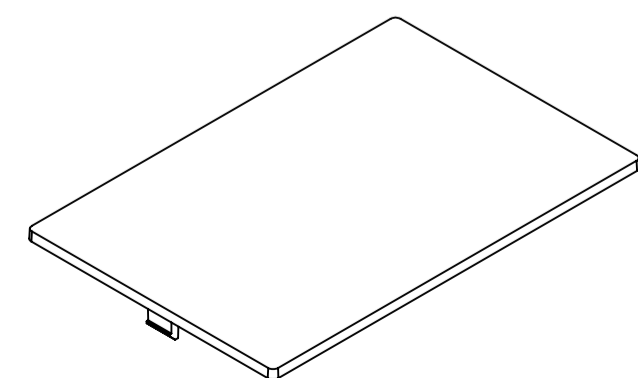


SURFACE-8

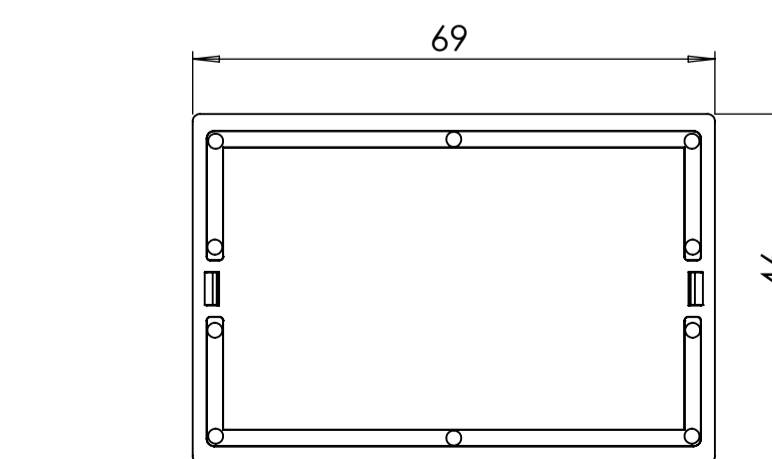
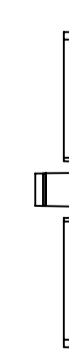


SURFACE-12 (INSIDE)


# PANEL: 2 SURFACE



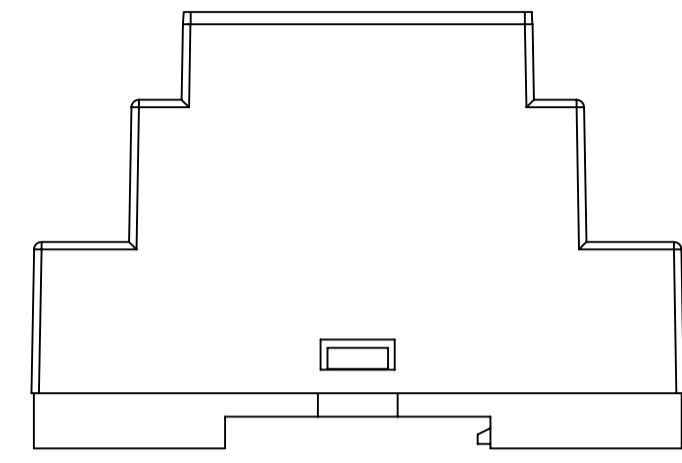
SURFACE-13



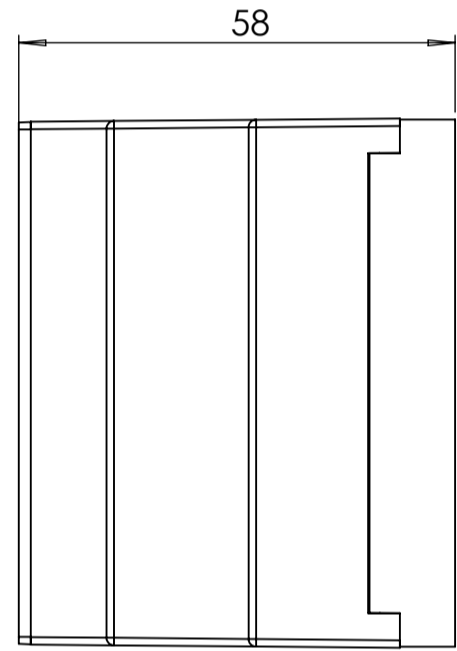
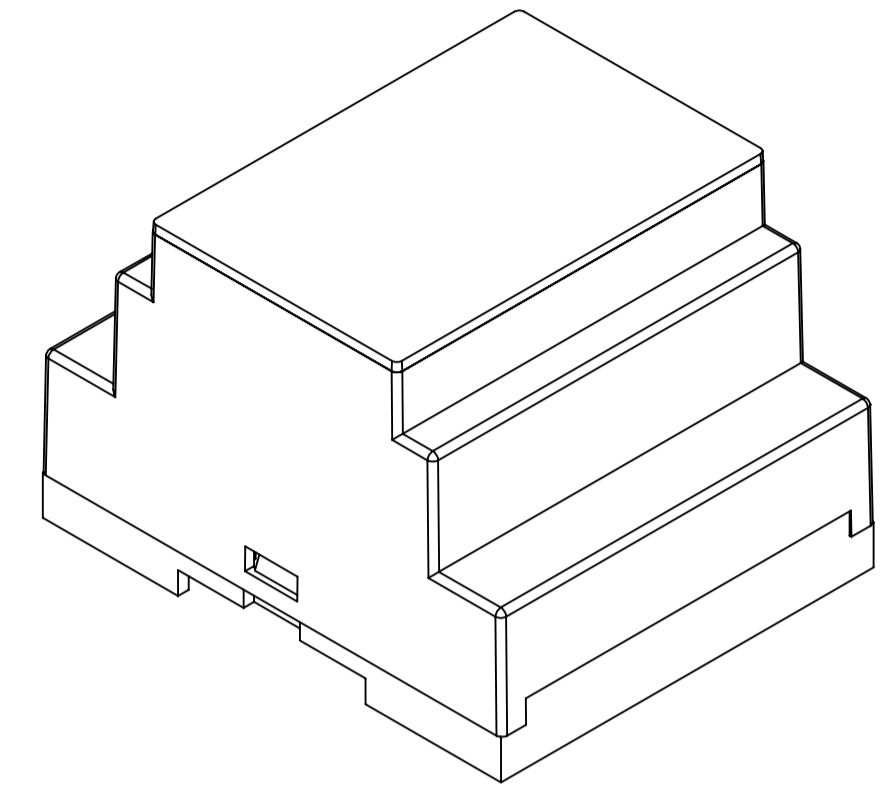
SURFACE-14 (INSIDE)

REV. NO.	DATE	REVISED BY	DESCRIPTION OF CHANGE
 <b>ALTINKAYA</b> Electronic Enclosures & Components <a href="http://www.altinkaya.com">www.altinkaya.com</a>			
Customer Name:		Customer Ref.:	
Altinkaya Ref.:		Part Name: RT-104-A	
DRAWN	NAME	DATE	Drawn From:
CHECKED	Y.YEL	24.07.2024	Material:
DIMENSIONAL TOLERANCES UNLESS OTHERWISE SPECIFIED:		Weight:	SCALE 1:1 UNIT : mm
(DIN7148)	±0.1	±0.1	±0.2
	±0.1	±0.2	±0.3
		±0.5	
			Dimension(mm)
			120-400mm
			m(medium)
			A1
			SHEET 1 OF 2

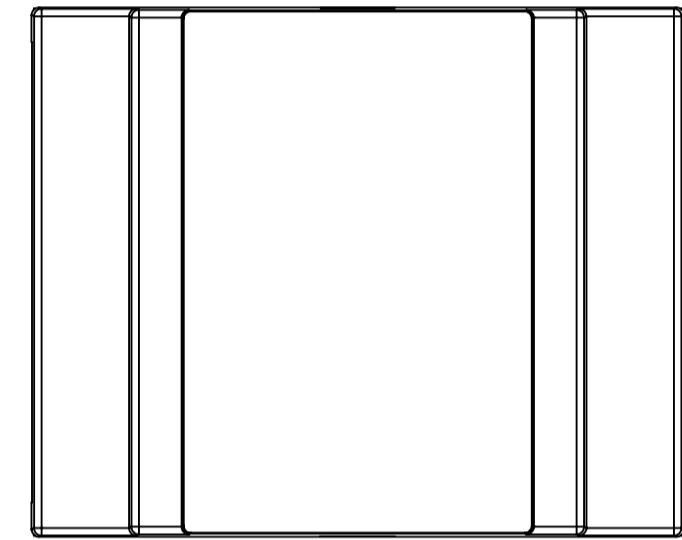
# RT-104-A IF MACHINED TOGETHER



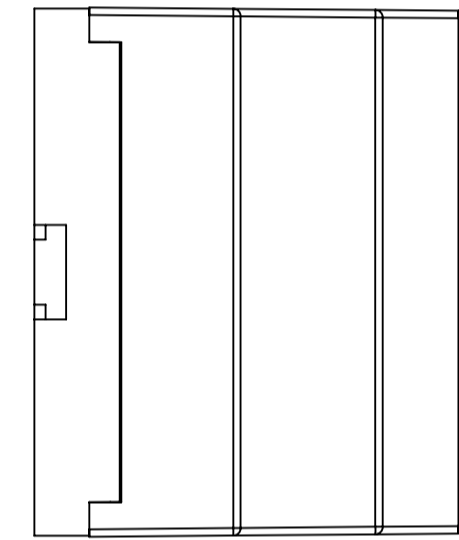
SURFACE-15



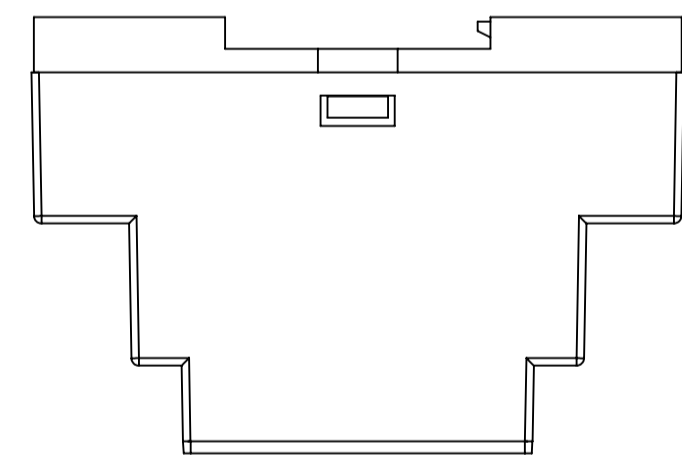
SURFACE-17



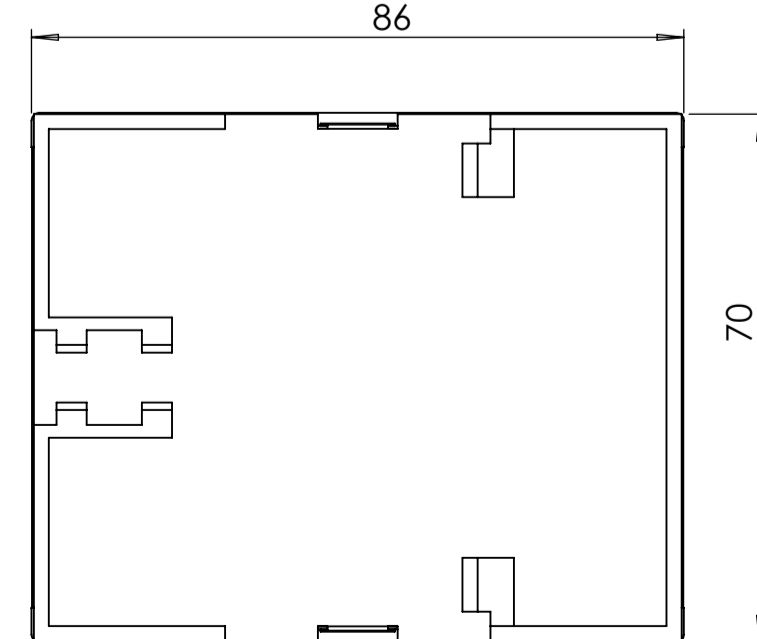
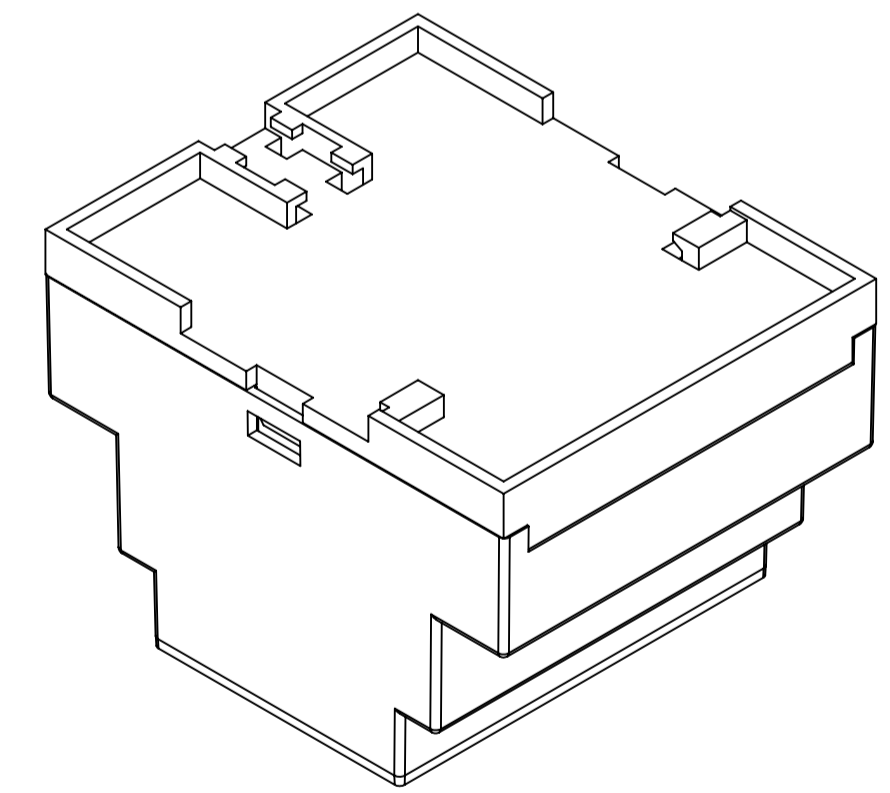
SURFACE-19



SURFACE-18



SURFACE-16



SURFACE-20

REV. NO.	DATE	REVISED BY	DESCRIPTION OF CHANGE	
<b>ALTINKAYA</b> Electronic Enclosures & Components				
Customer Name:			Customer Ref.:	
Altinkaya Ref.:			Part Name: RT-104-A	
DRAWN	S. YESILOZ	24.07.2024	Material:	
CHECKED	Y. YEL	24.07.2024	Weight:	
DIMENSIONAL TOLERANCES UNLESS OTHERWISE SPECIFIED: (mm)			30-120mm	120-400mm
			±0.1	±0.5
			±0.1	±0.2
			±0.3	±0.5
			SCALE: 1:1 UNIT: mm	
			Dimension(mmm)	
			m(medium)	
			A1	
			SHEET 2 OF 2	