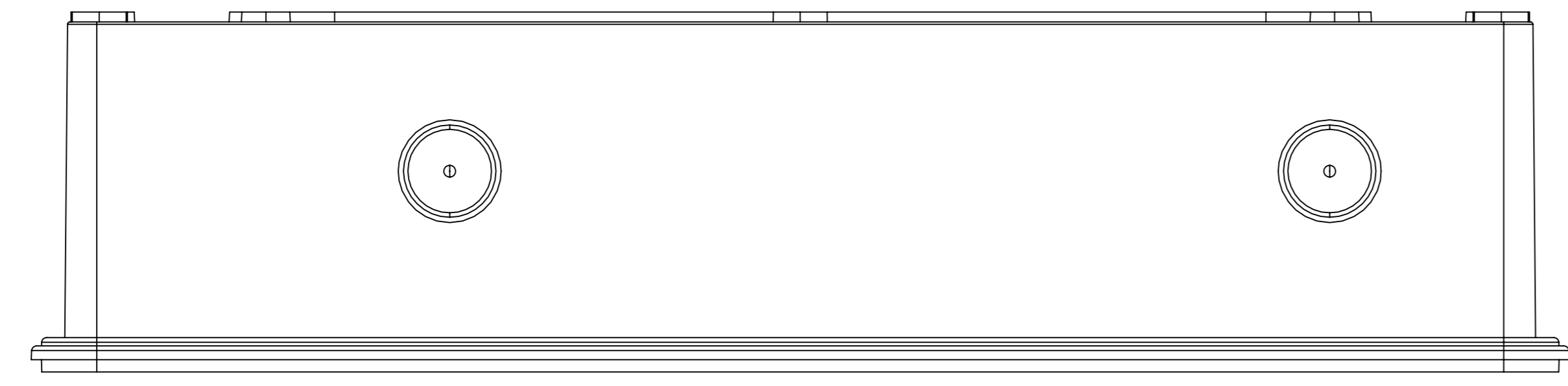
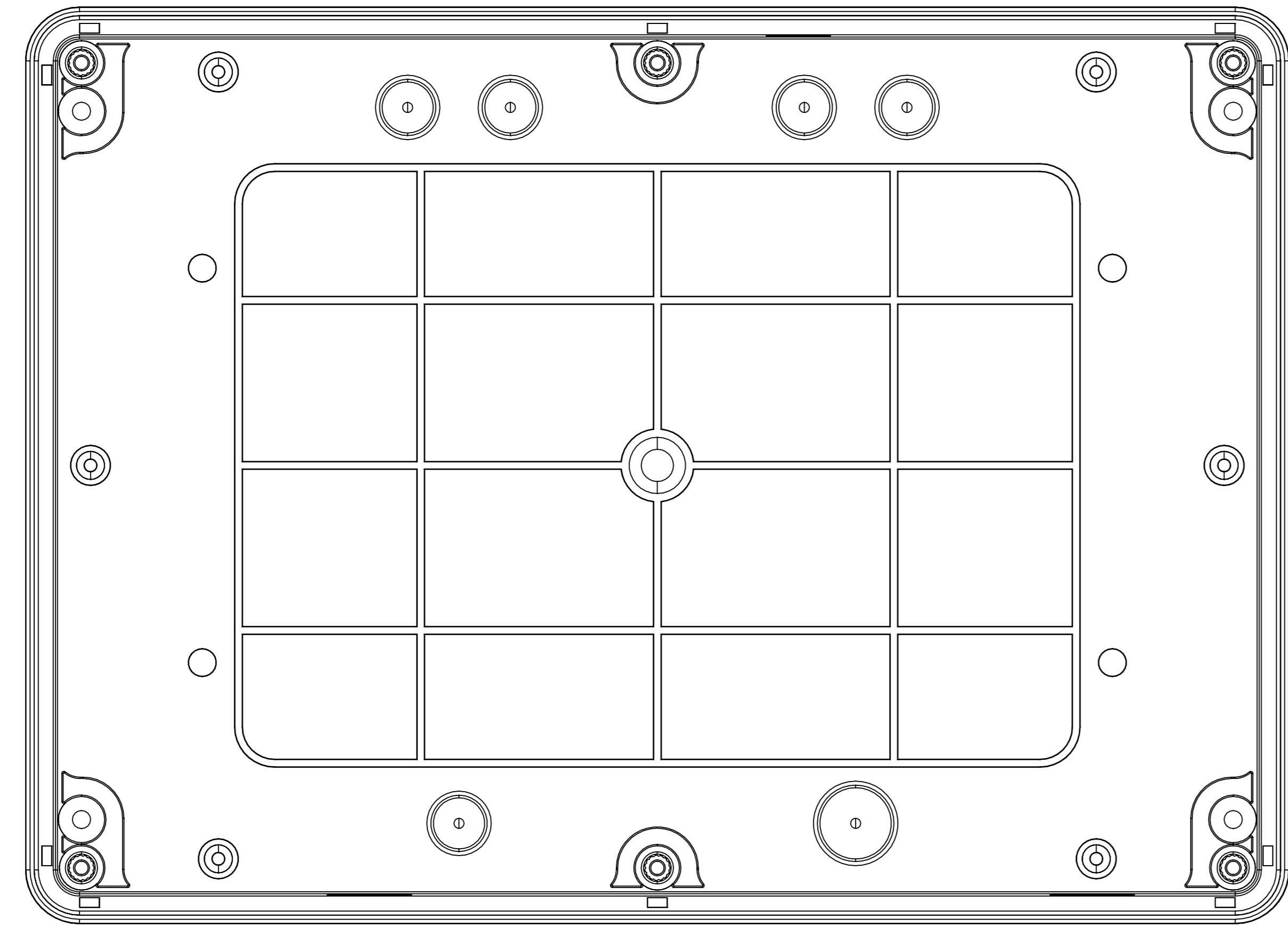


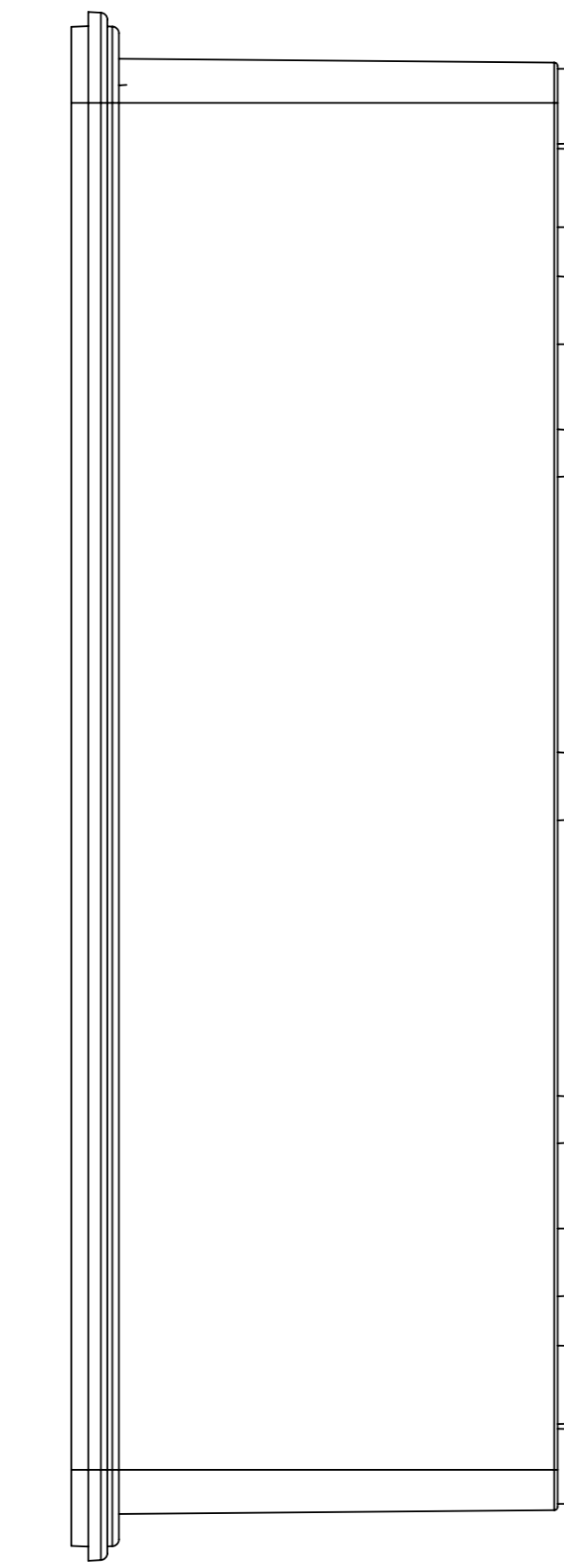
BASE: 6 SURFACE



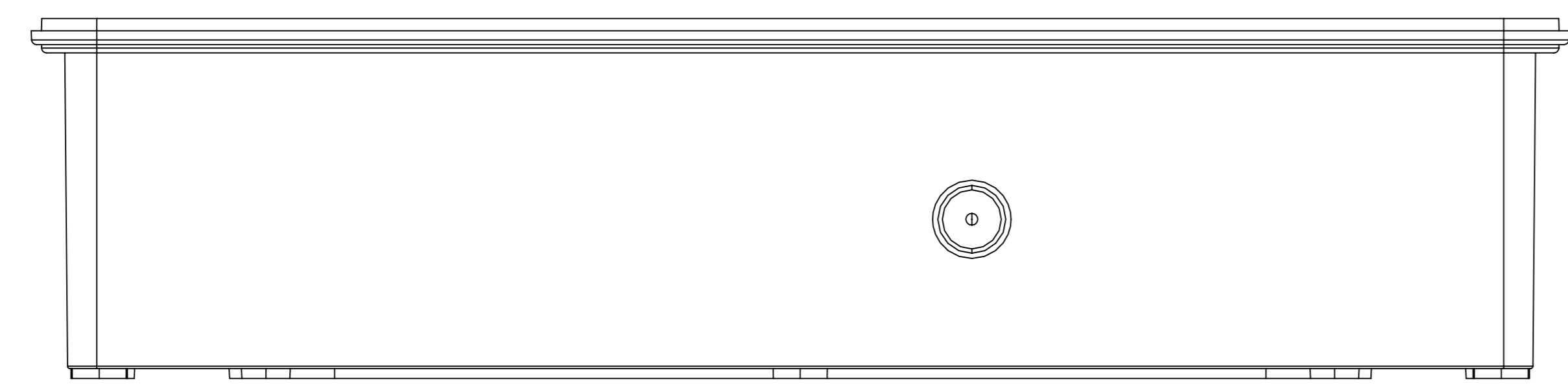
SURFACE-1



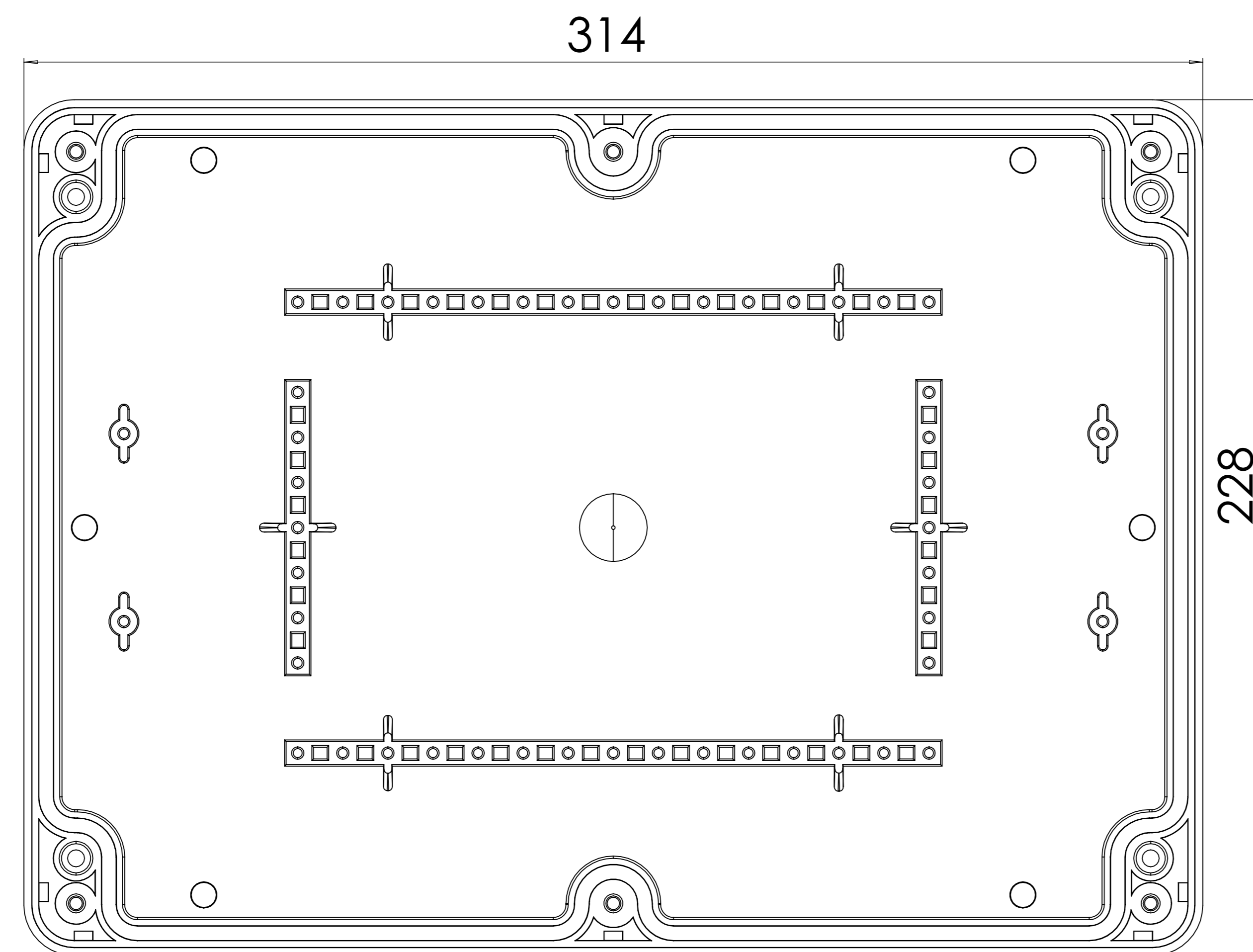
SURFACE-5



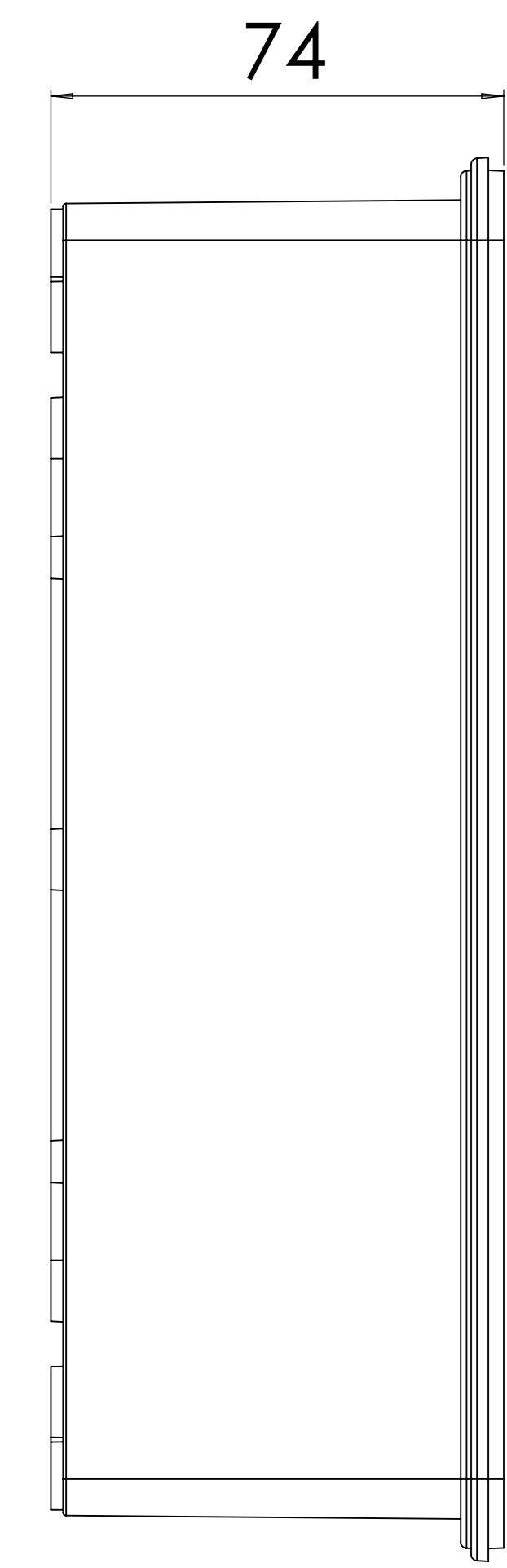
SURFACE-4



SURFACE-2

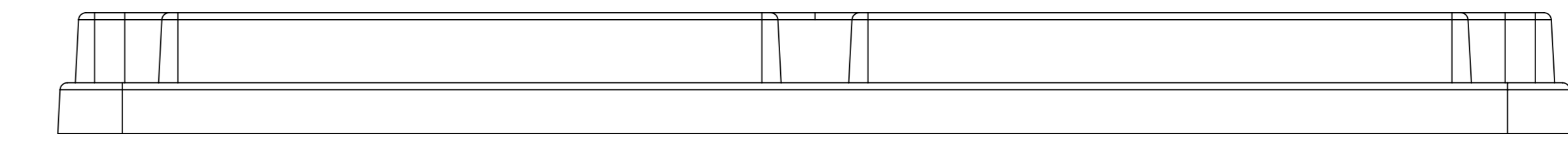


SURFACE-6 (INSIDE)

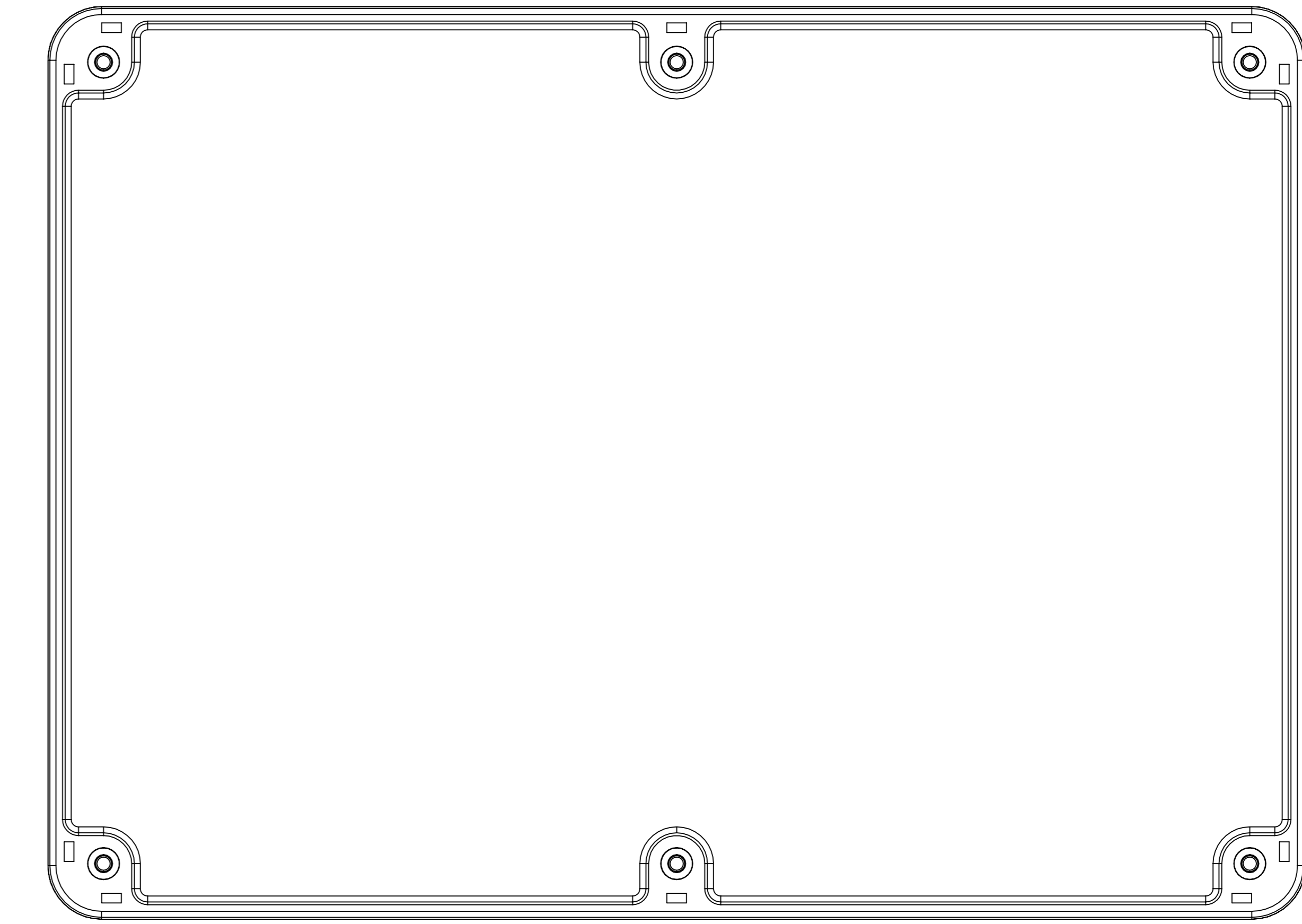


SURFACE-3

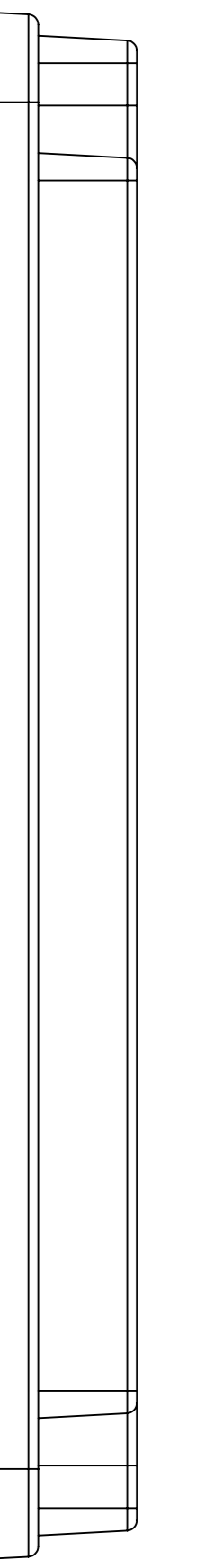
COVER: 6 SURFACE



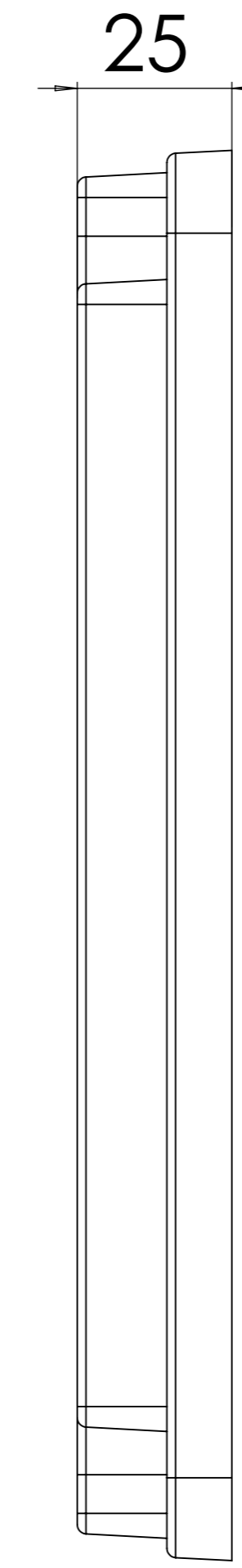
SURFACE-7



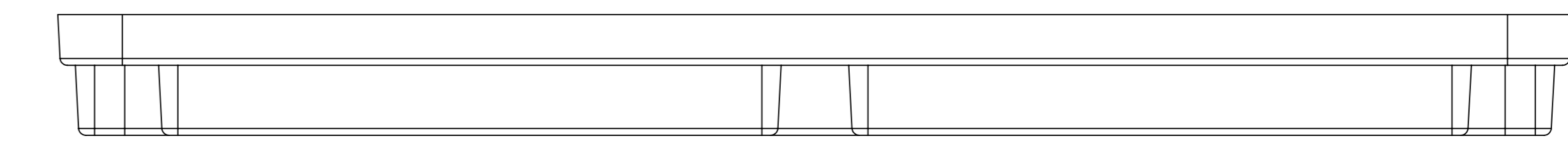
SURFACE-11



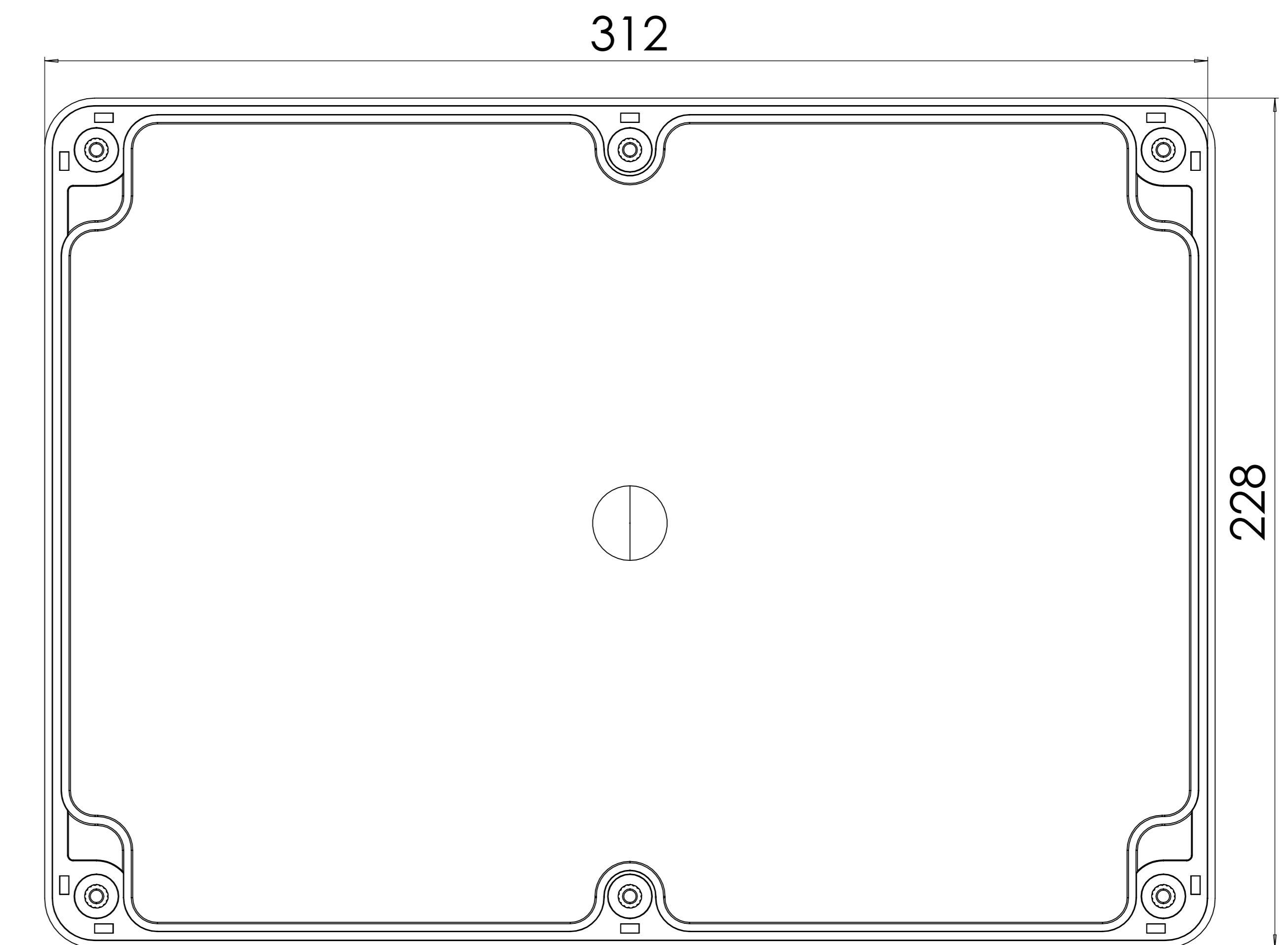
SURFACE-10




SURFACE-9



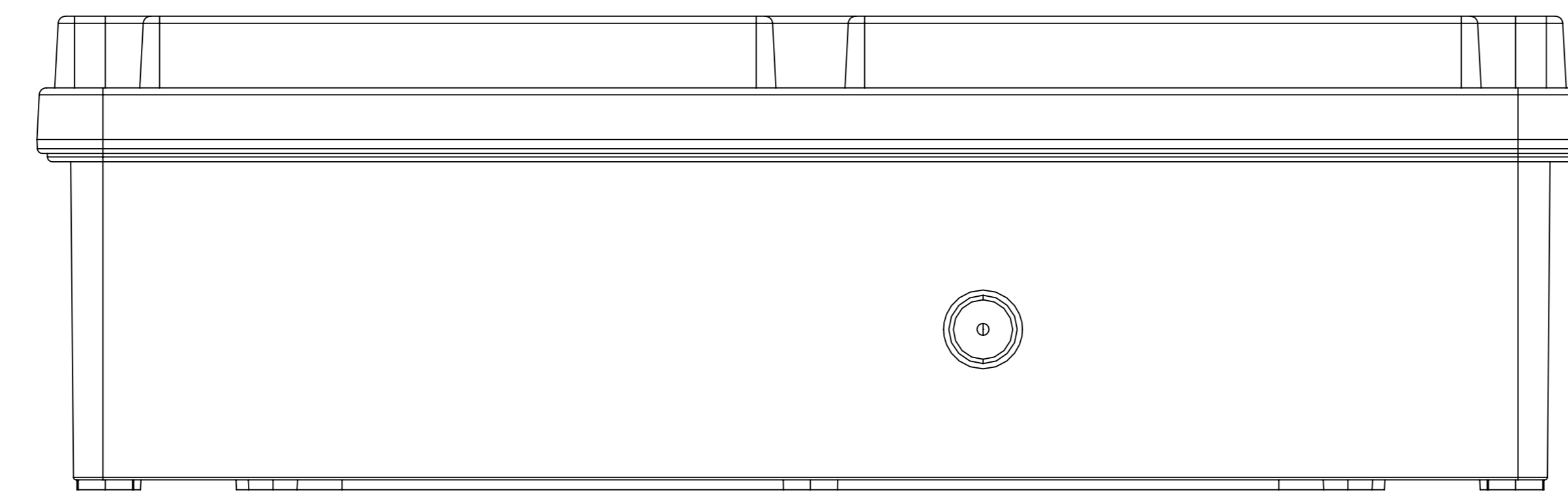
SURFACE-8



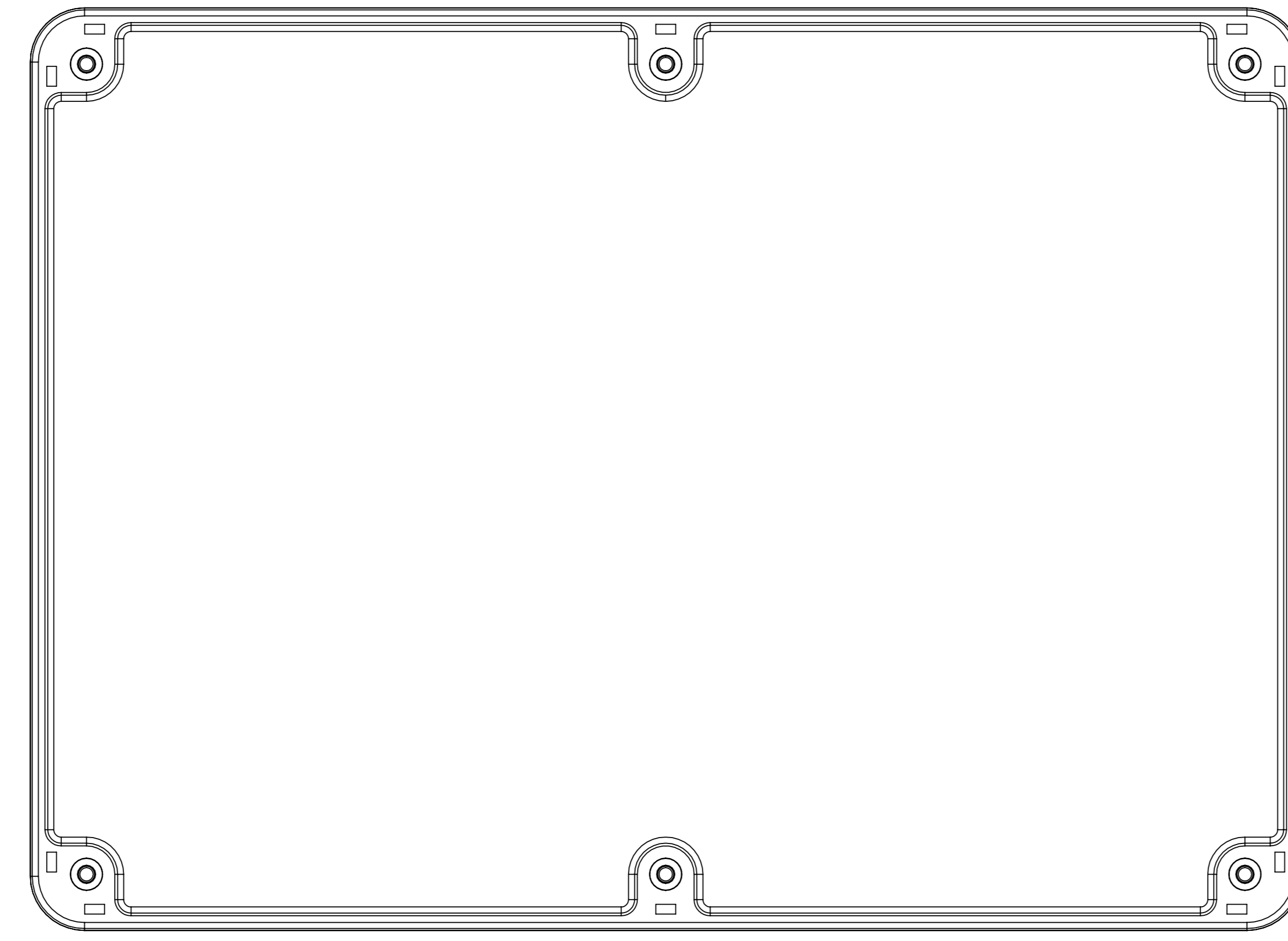
SURFACE-12 (INSIDE)

REV. NO	DATE	REVISED BY	DESCRIPTION OF CHANGE
 ALTINKAYA Electronic Enclosures & Components			
Customer Name :		Customer Ref. :	
Altinkaya Ref :		Part Name: SE-2260	
DRAWN	NAME	DATE	Drawn From:
CHECKED	Y.YEL	9.07.2024	Material:
Weight:			UNIT: mm
DIMENSIONAL TOLERANCES UNLESS OTHERWISE SPECIFIED (DIN7168)			
0.5-3mm	3-6mm	6-30mm	30-120mm
±0,1	±0,1	±0,2	±0,3
120-400mm	±0,5	Dimension(mm)	
m (medium)			

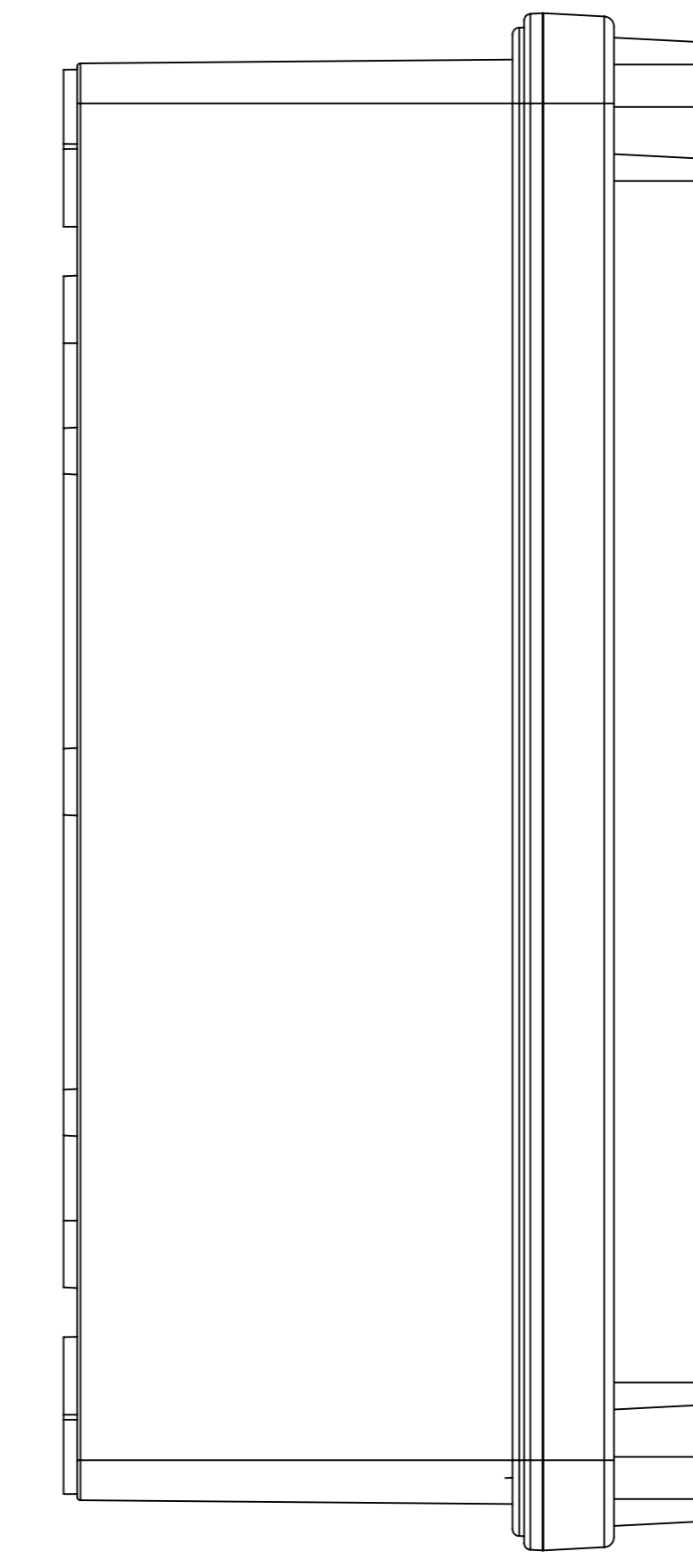
SF-2260 IF MACHINED TOGETHER



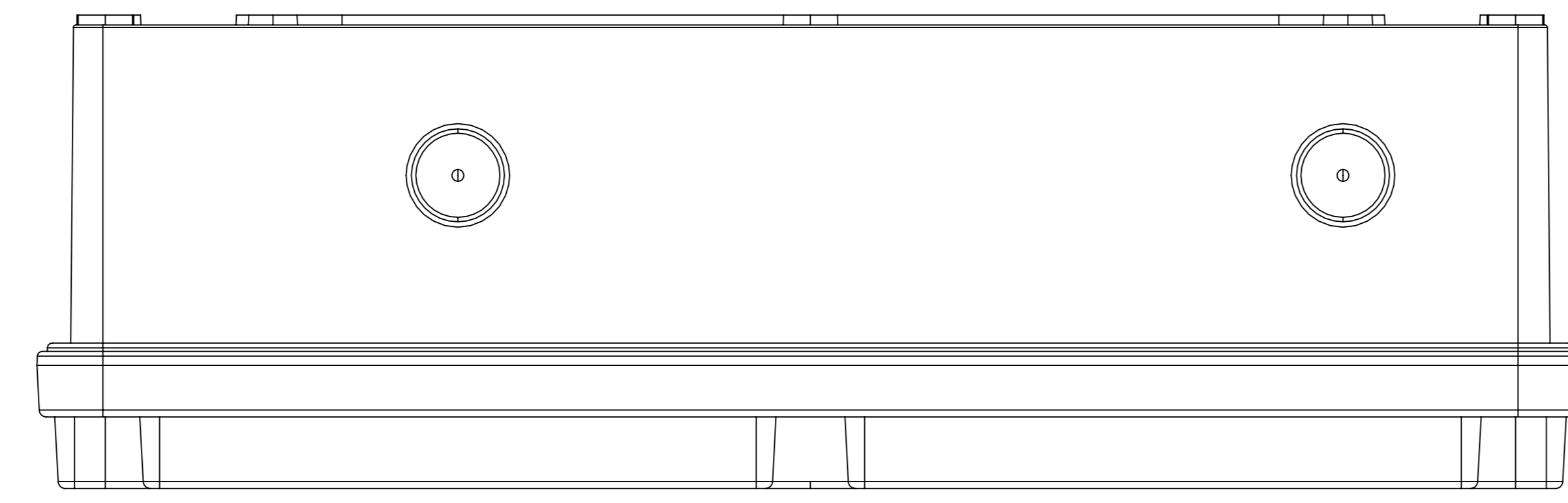
SURFACE-13



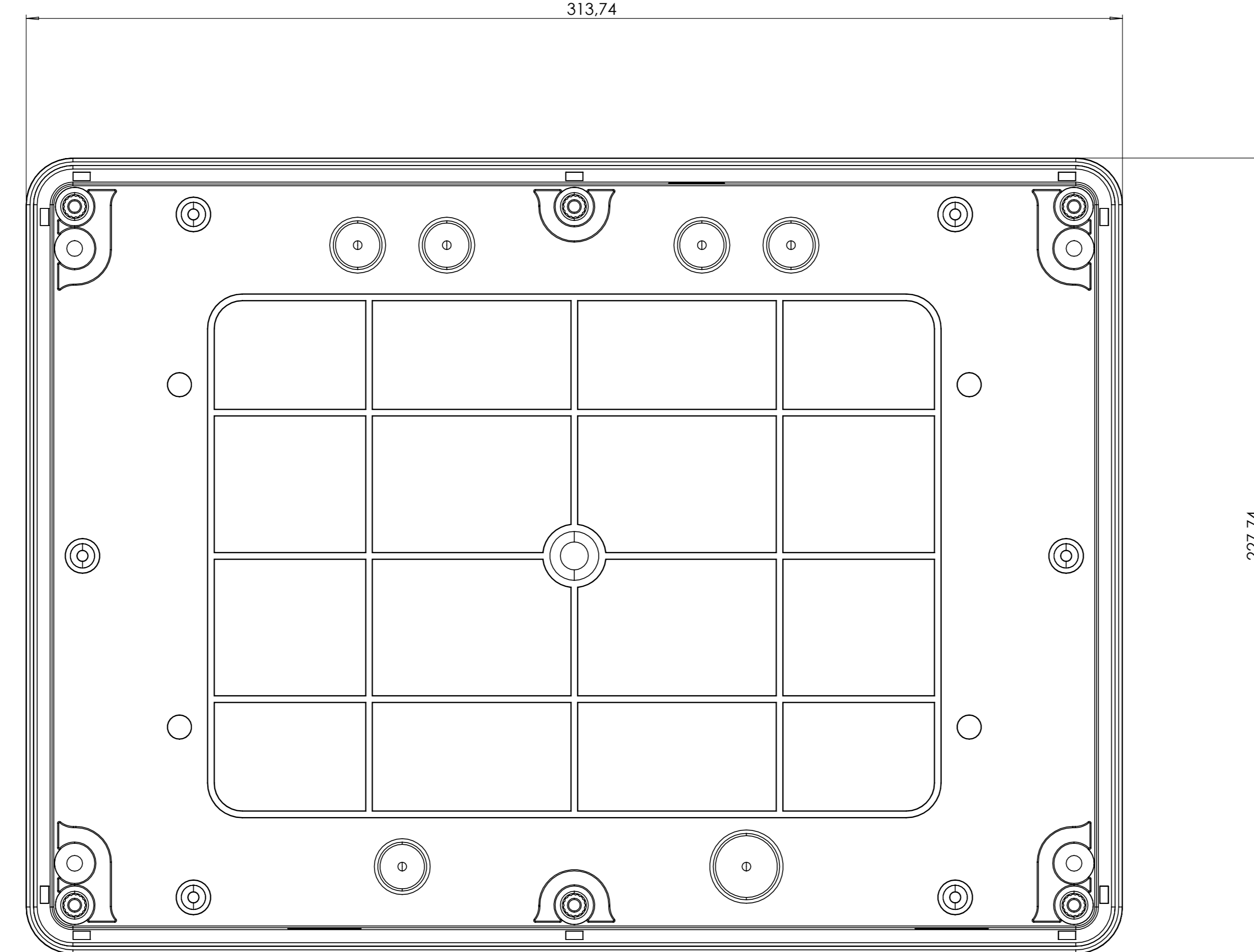
SURFACE-17



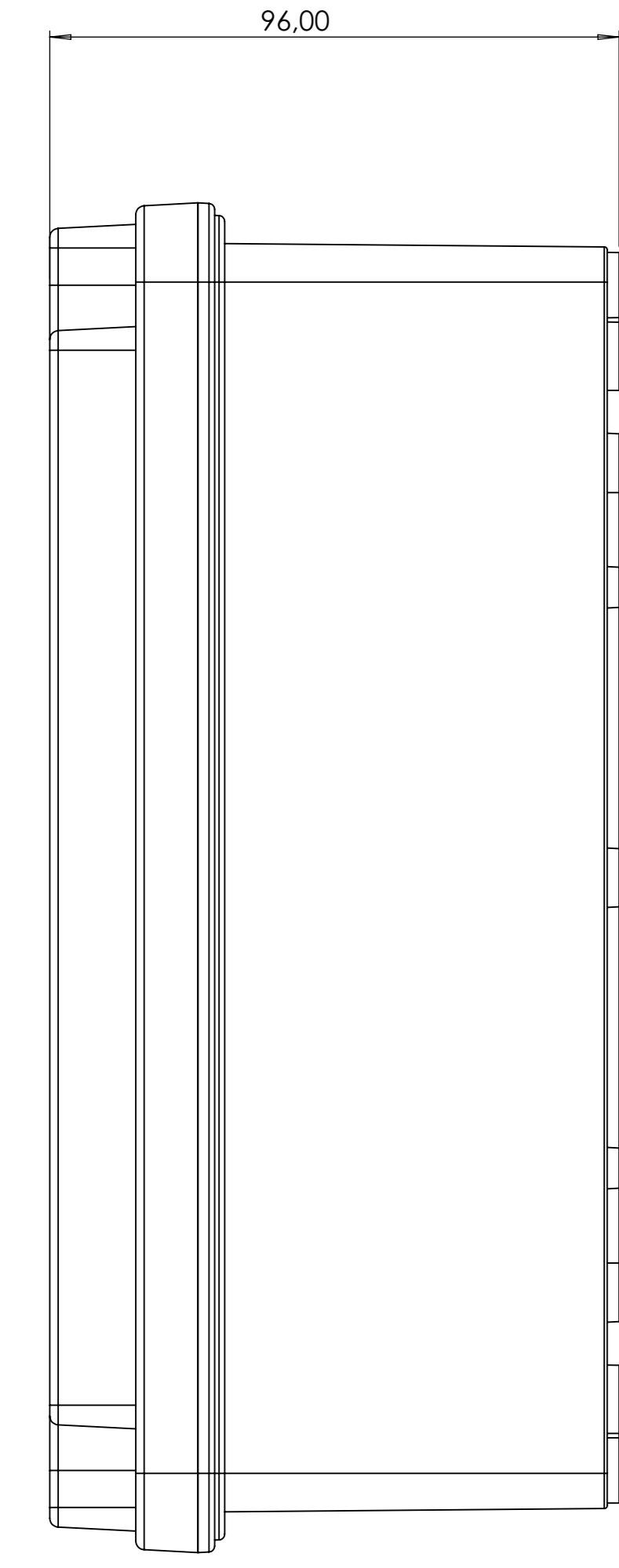
SURFACE-16



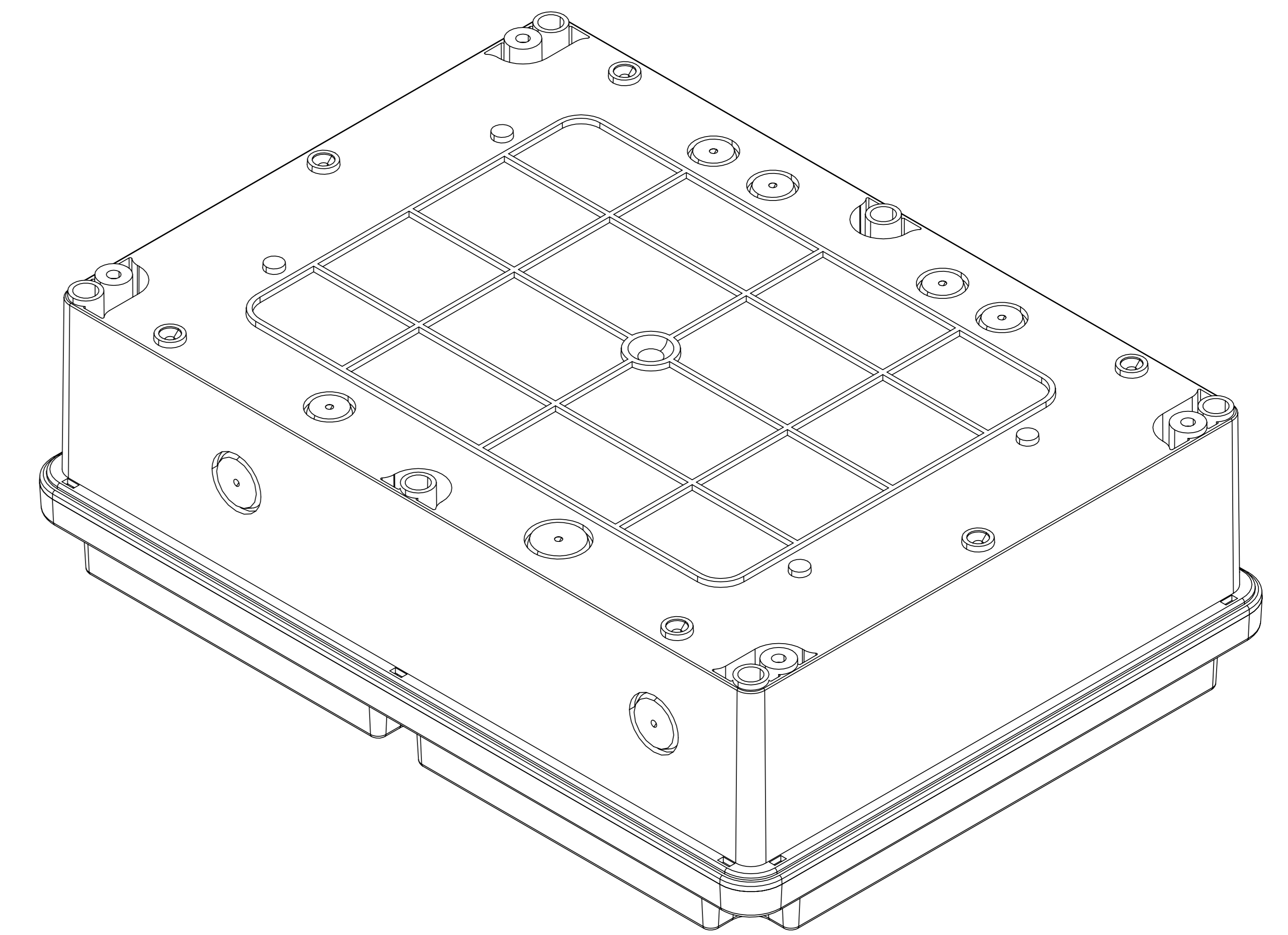
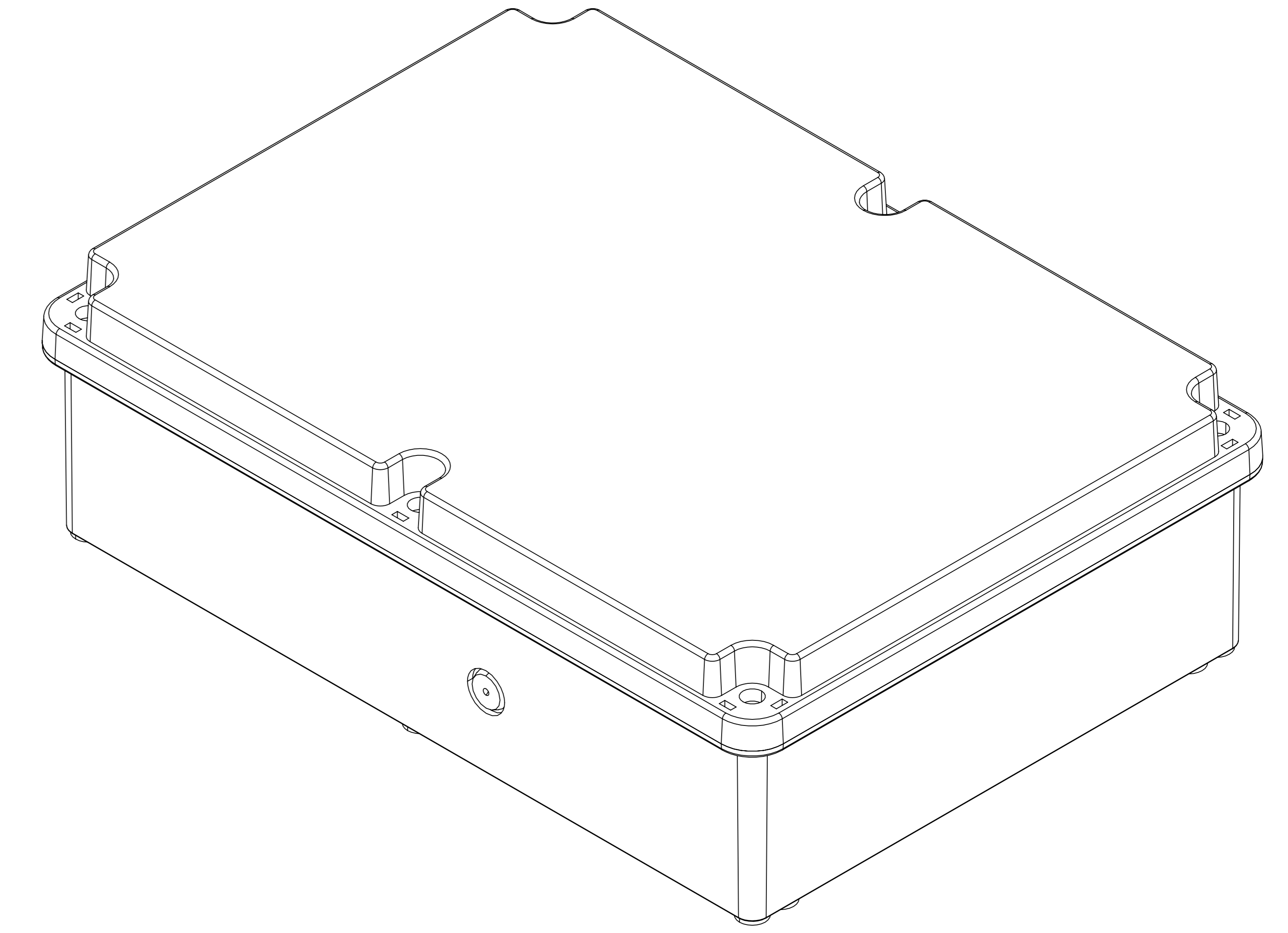
SURFACE-14



SURFACE-18



SURFACE-15



REV. NO	DATE	REVISED BY	DESCRIPTION OF CHANGE
 ALTINKAYA Electronic Enclosures & Components			
Customer Name :		Customer Ref. :	
Altinkaya Ref :		Part Name: SE-2260	
DRAWN	NAME	DATE	Drawn From:
CHECKED	Y.YEL	9.07.2024	Weight:
DIMENSIONAL TOLERANCES UNLESS OTHERWISE SPECIFIED (DIN7168)			UNIT: mm
	0.5-3mm	3-6mm	6-30mm
	±0,1	±0,1	±0,2
		±0,3	±0,5
			Dimension(mm)
			m (medium)