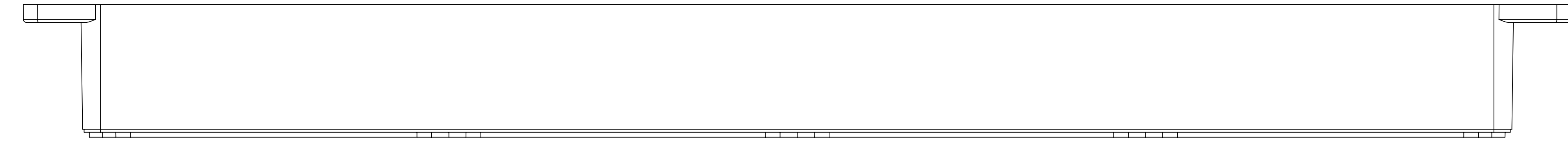
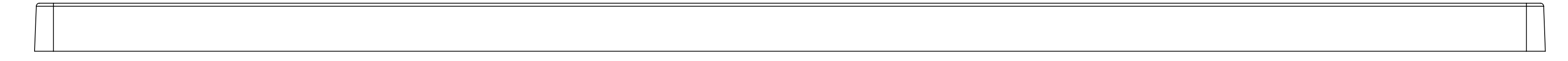


**BASE: 6 SURFACE**

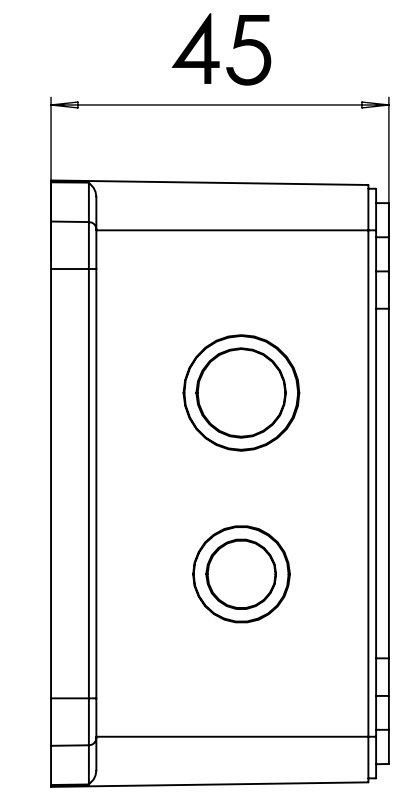
**COVER: 6 SURFACE**



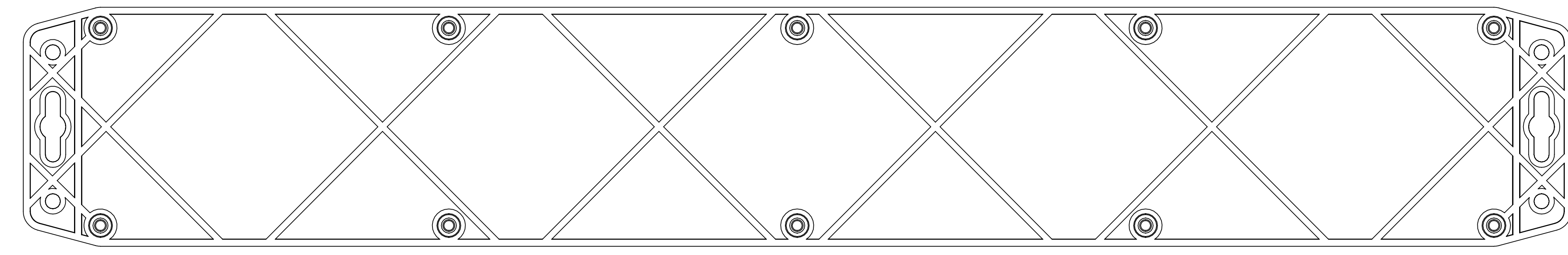
SURFACE-1



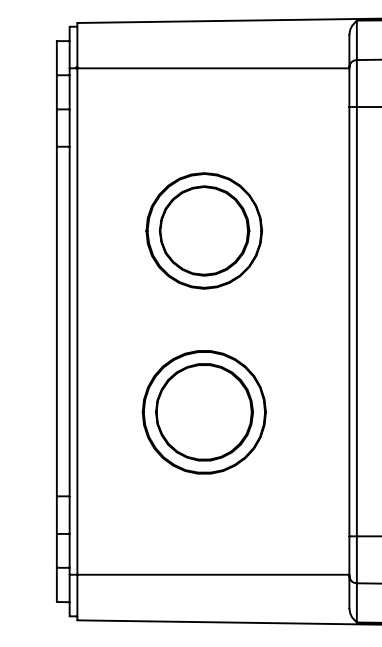
SURFACE-7



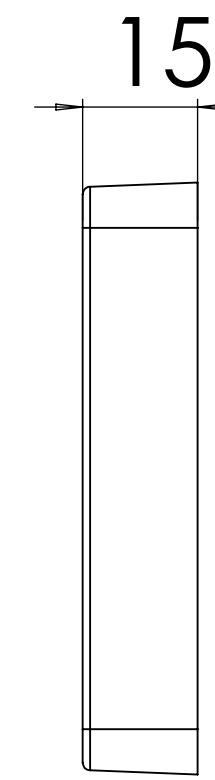
SURFACE-3



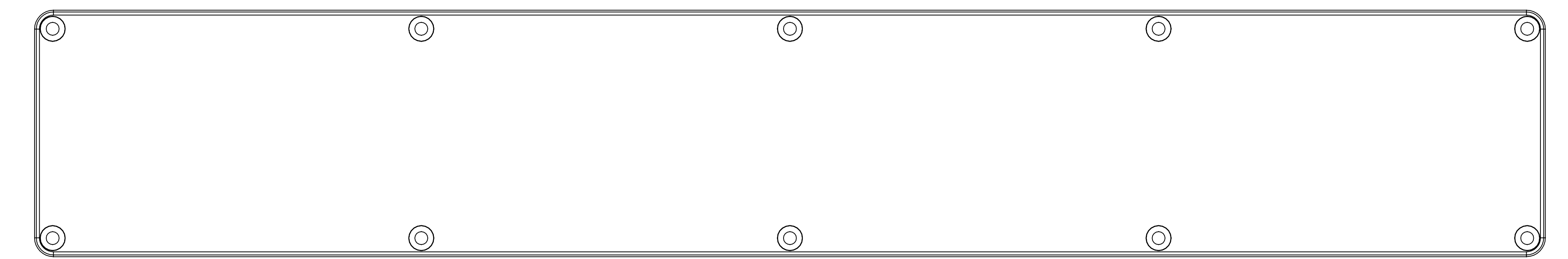
SURFACE-5



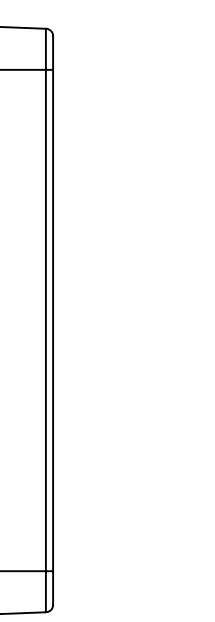
SURFACE-4



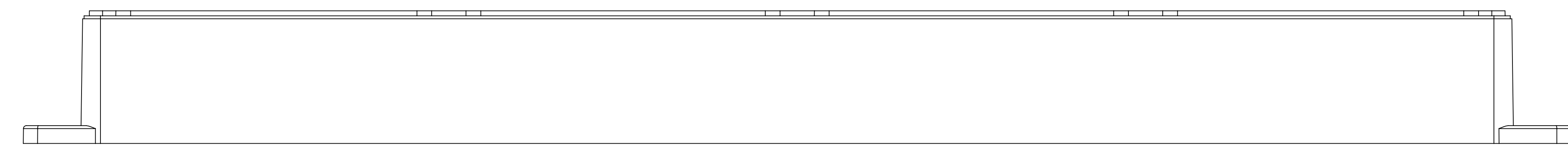
SURFACE-9



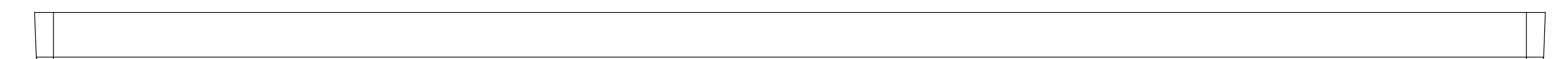
SURFACE-11



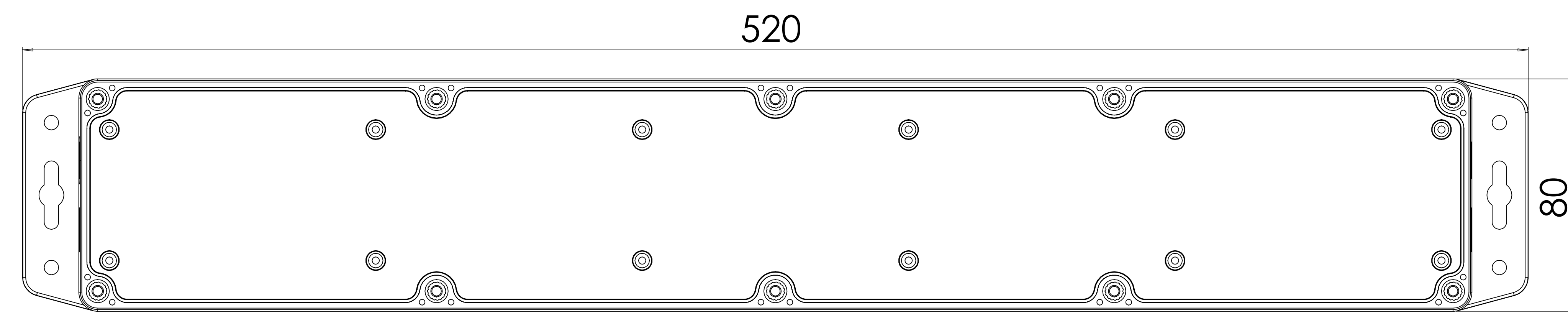
SURFACE-10



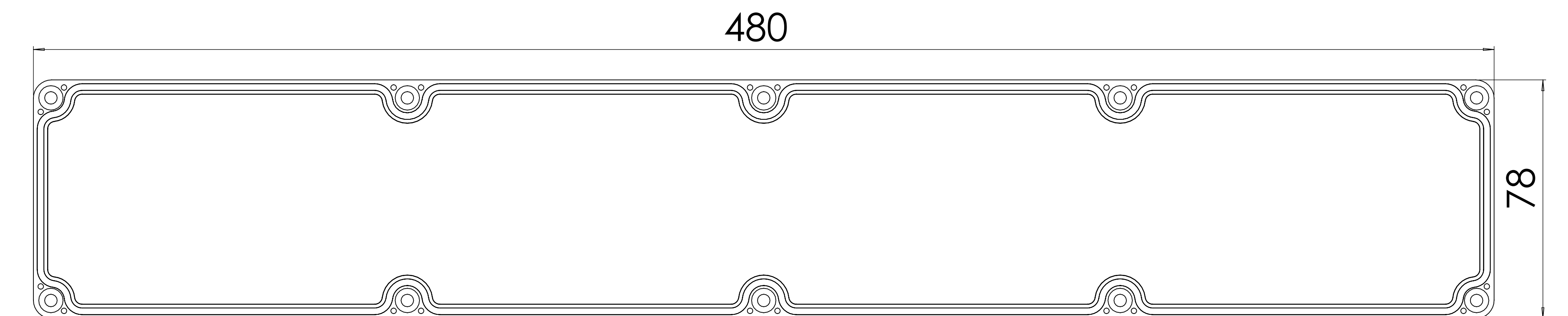
SURFACE-2



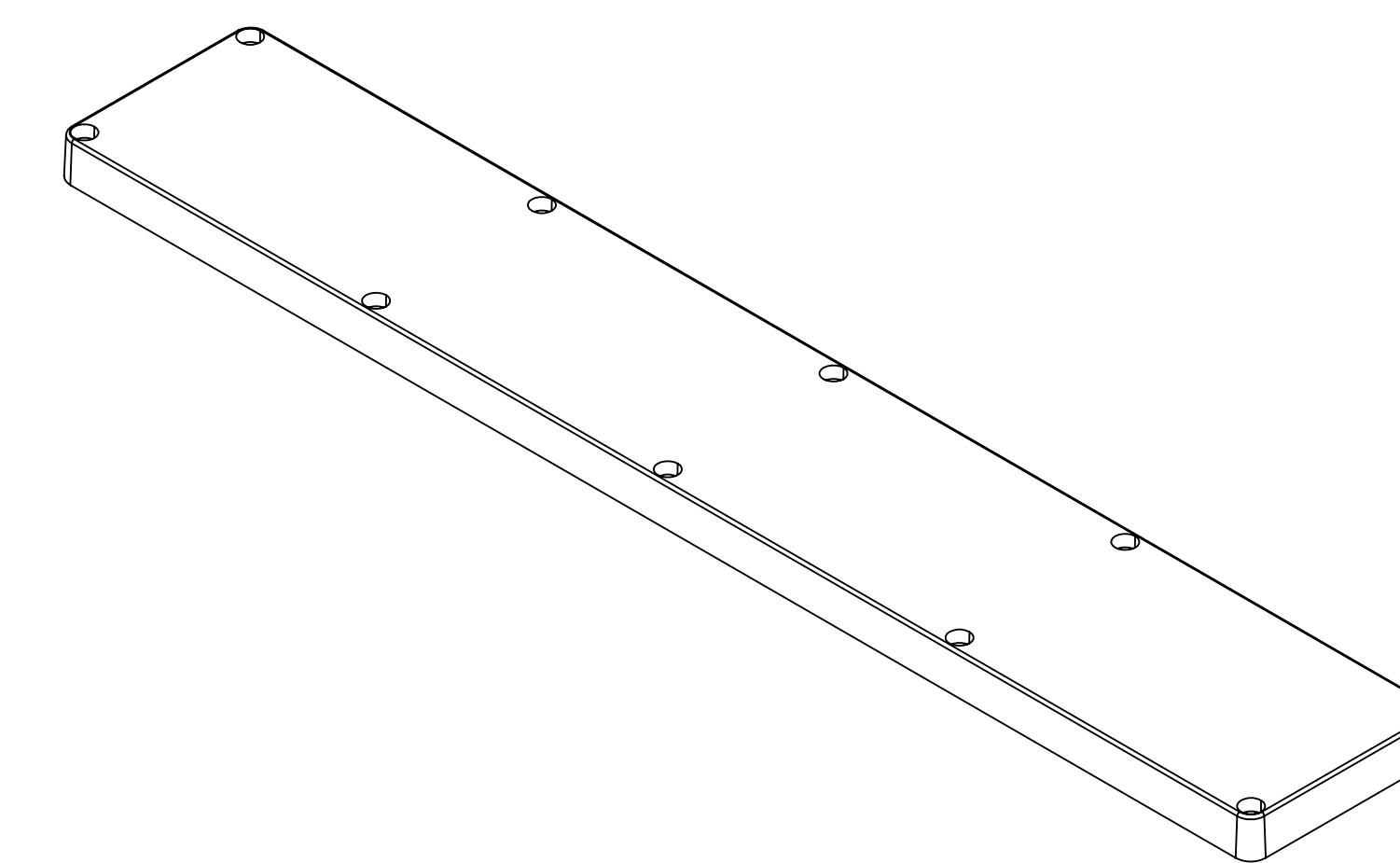
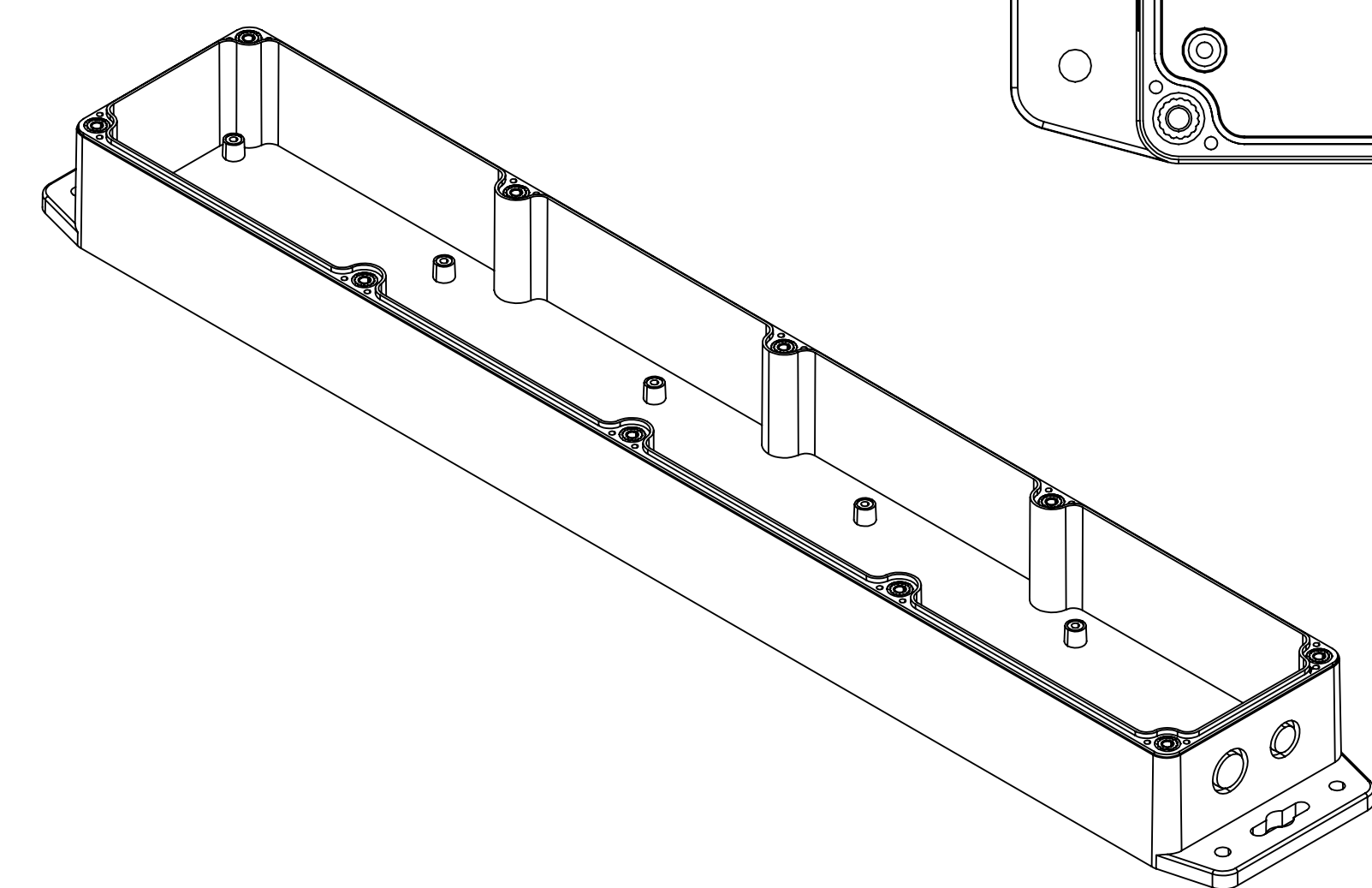
SURFACE-8



SURFACE-6 (INSIDE)



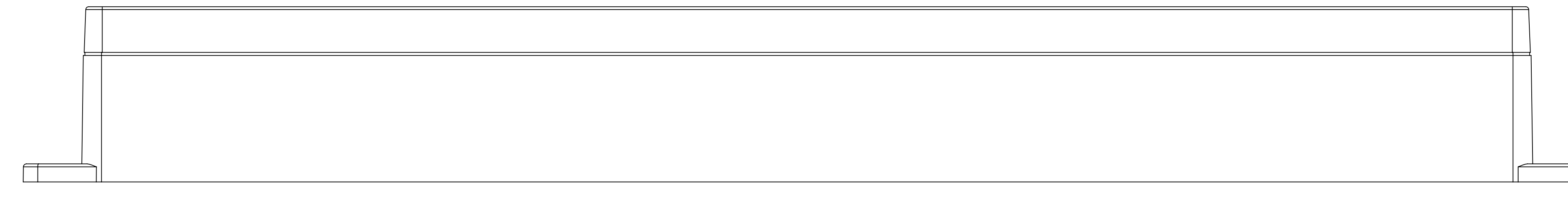
SURFACE-12 (INSIDE)



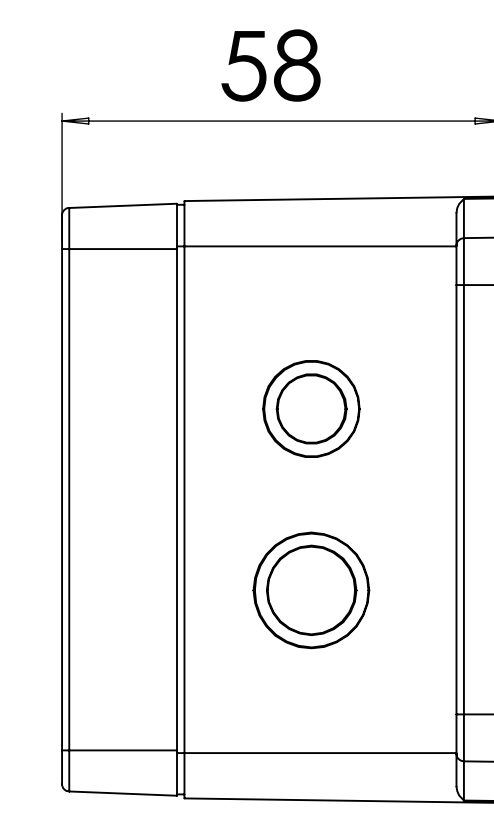
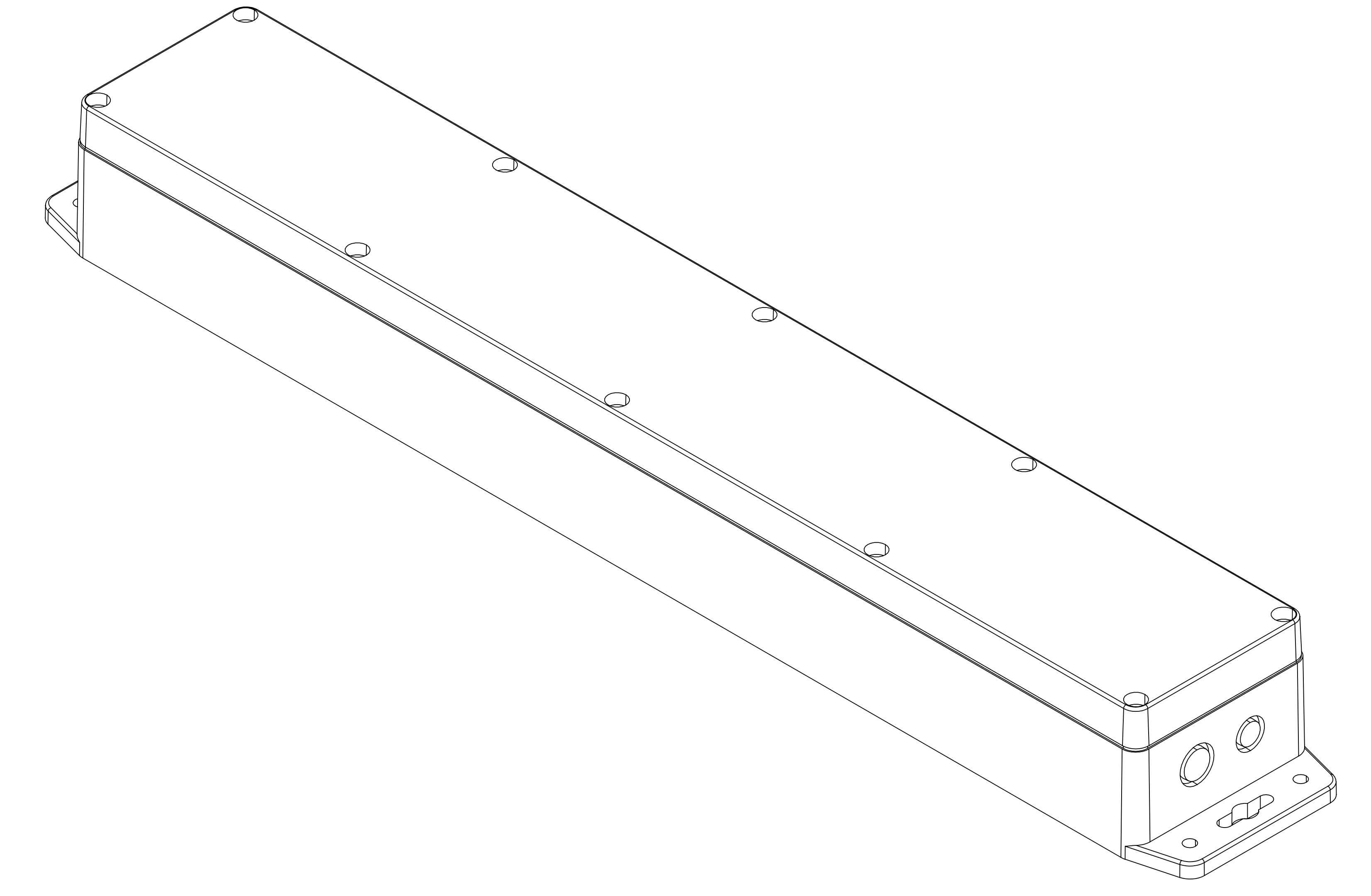
REV. NO	DATE	REVISED BY	DESCRIPTION OF CHANGE
			 <b>ALTINKAYA</b> Electronic Enclosures & Components
Customer Name :		Customer Ref. :	
Altinkaya Ref :		Part Name: SF-2350-0	
DRAWN	NAME	DATE	Drawn From:
CHECKED	Y.YEL	9.07.2024	Material:
DIMENSIONAL TOLERANCES UNLESS OTHERWISE SPECIFIED (DIN7168)			Weight:
±0,1	±0,1	±0,2	±0,3
±0,5	UNIT: mm		S1
		3-6mm	30-120mm
		6-30mm	120-400mm
		Dimension(mm)	m (medium)



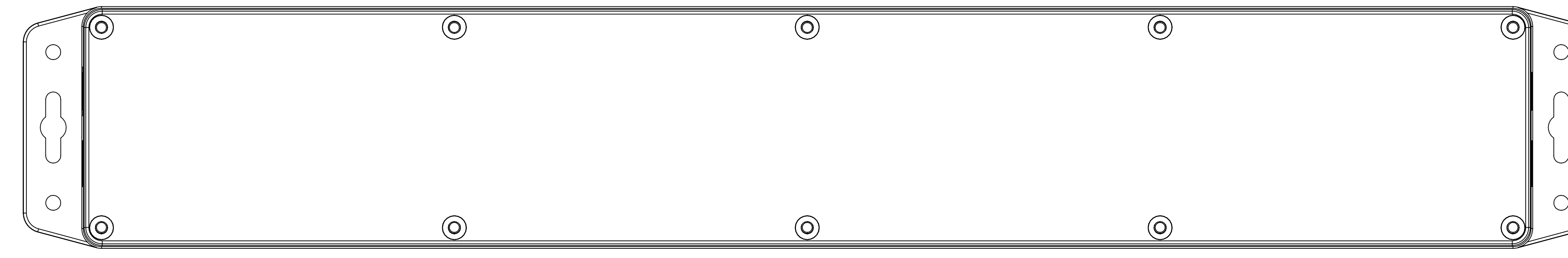
**SF-2350 IF MACHINED TOGETHER**



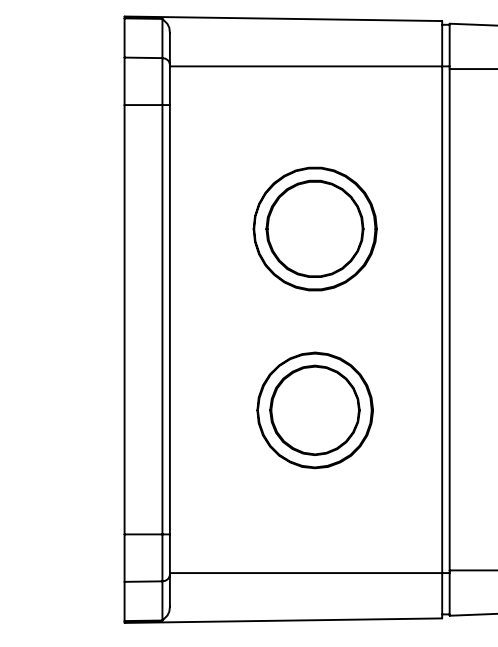
SURFACE-13



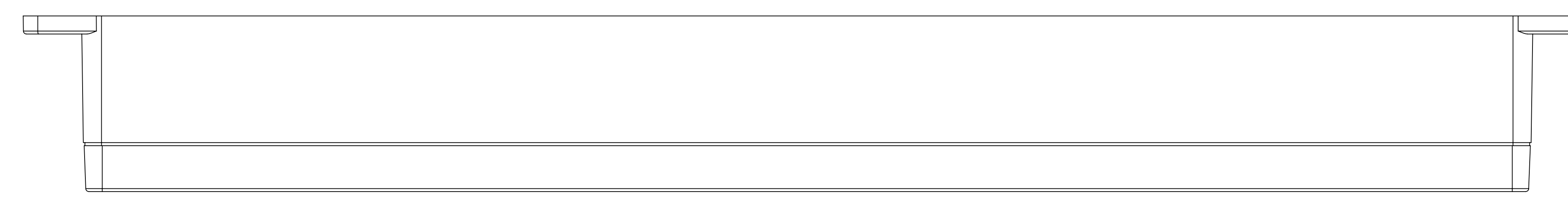
SURFACE-15



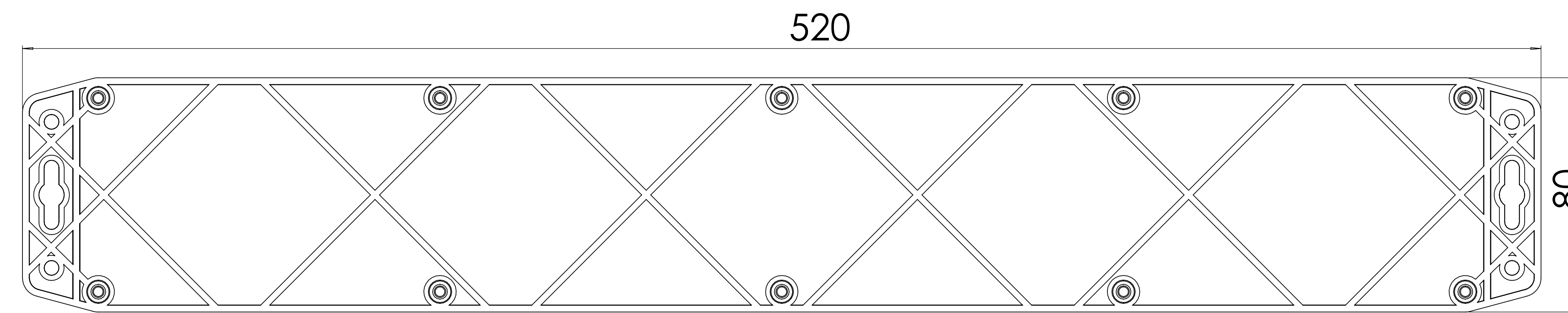
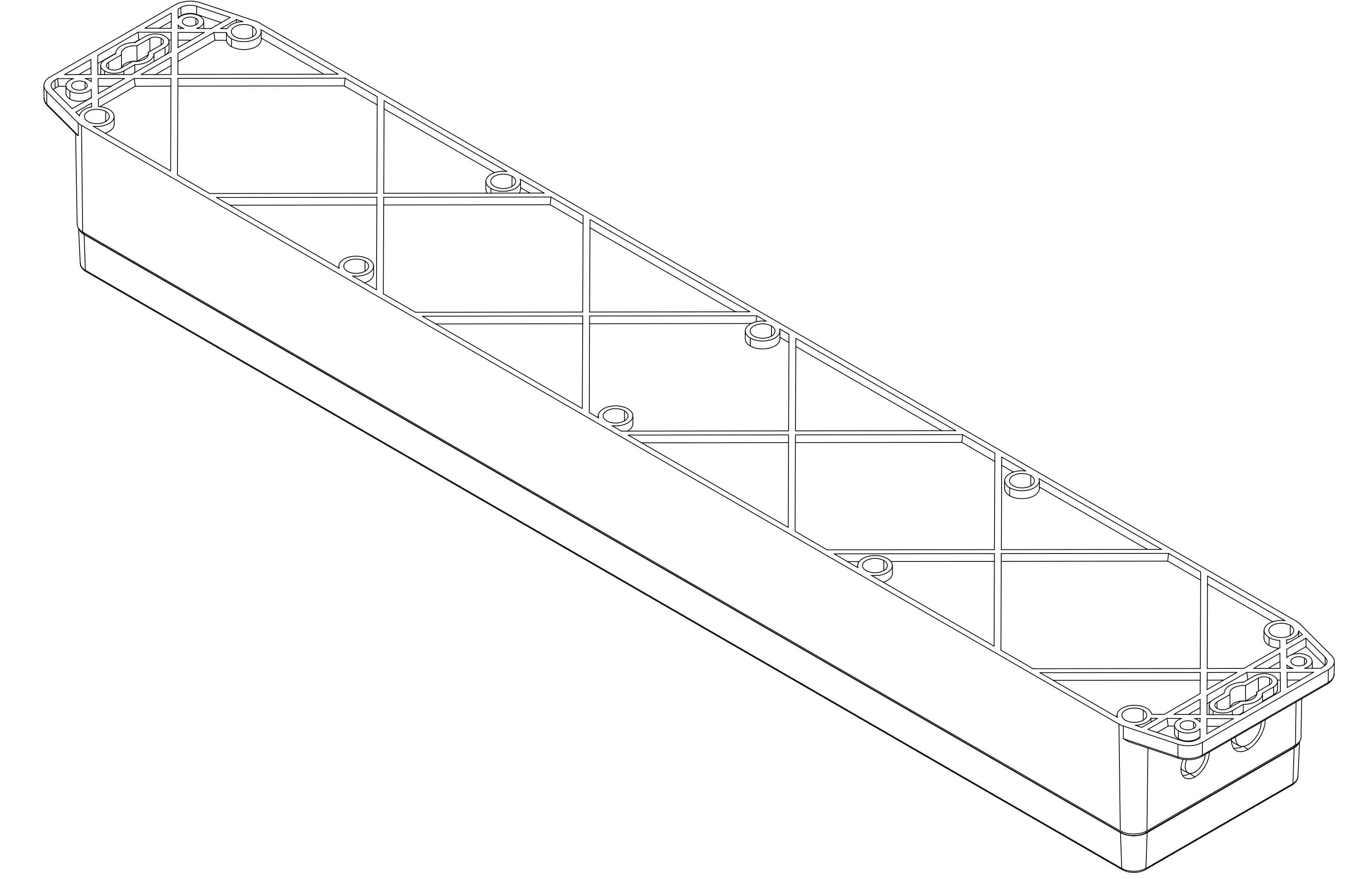
SURFACE-17




SURFACE-16



SURFACE-14



SURFACE-18

REV. NO	DATE	REVISED BY	DESCRIPTION OF CHANGE
 <b>ALTINKAYA</b> Electronic Enclosures & Components			
Customer Name :		Customer Ref. :	
Altinkaya Ref :		Part Name: SF-2350-0	
DRAWN	NAME	DATE	Drawn From:
CHECKED	Y.YEL	9.07.2024	Material:
DIMENSIONAL TOLERANCES UNLESS OTHERWISE SPECIFIED (DIN7168)			Weight:
±0,1	±0,1	±0,2	±0,3
±0,5	UNIT: mm		Dimension(mm)
m (medium)		S1	