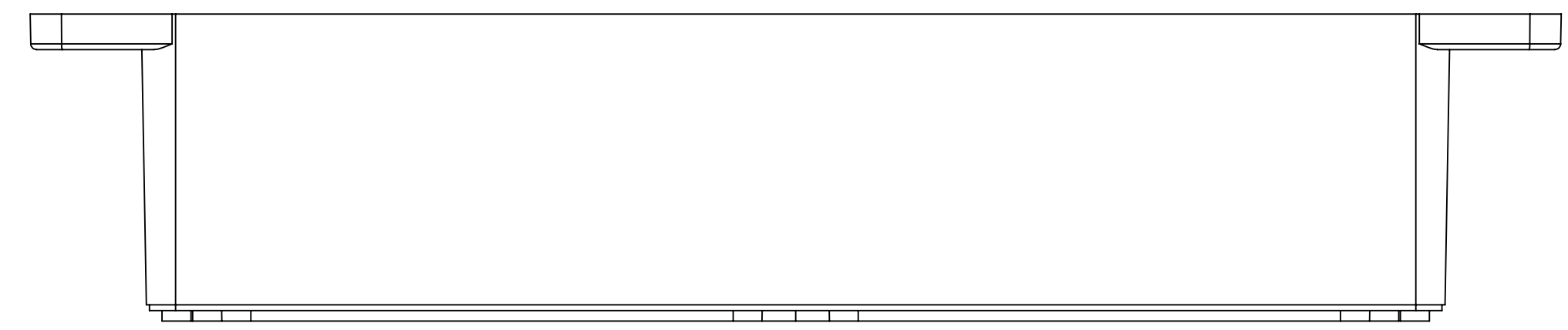
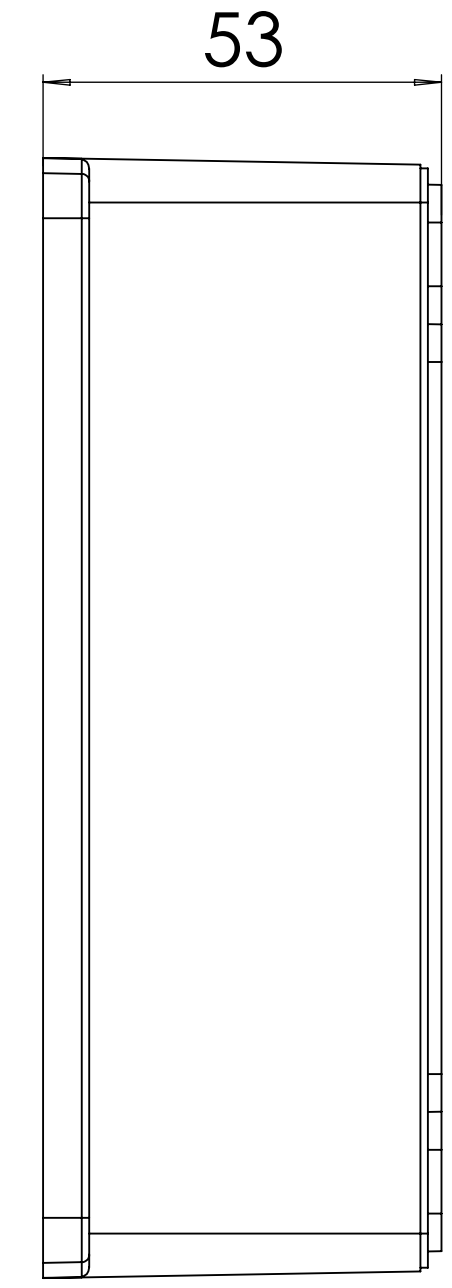


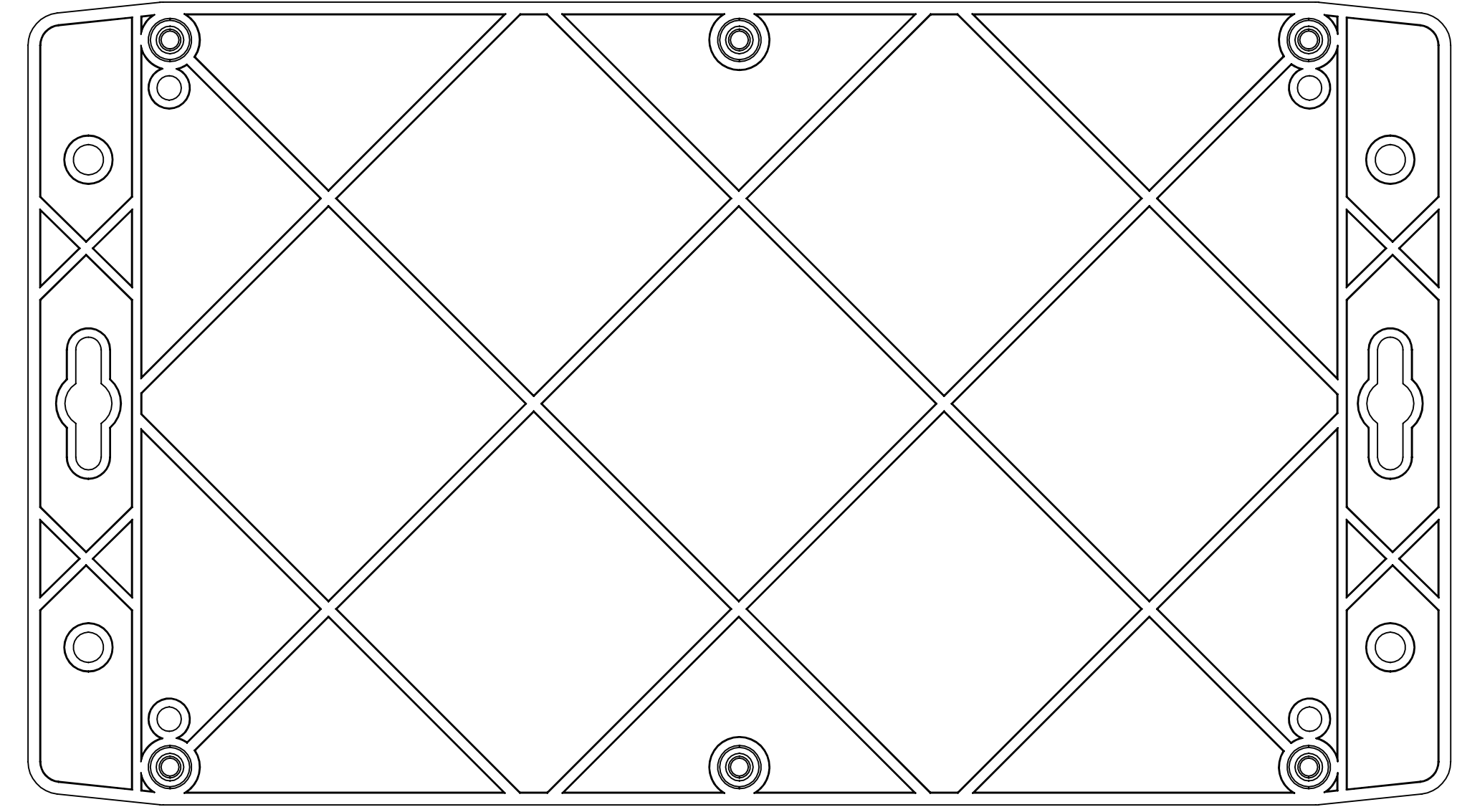
**BASE: 6 SURFACE**



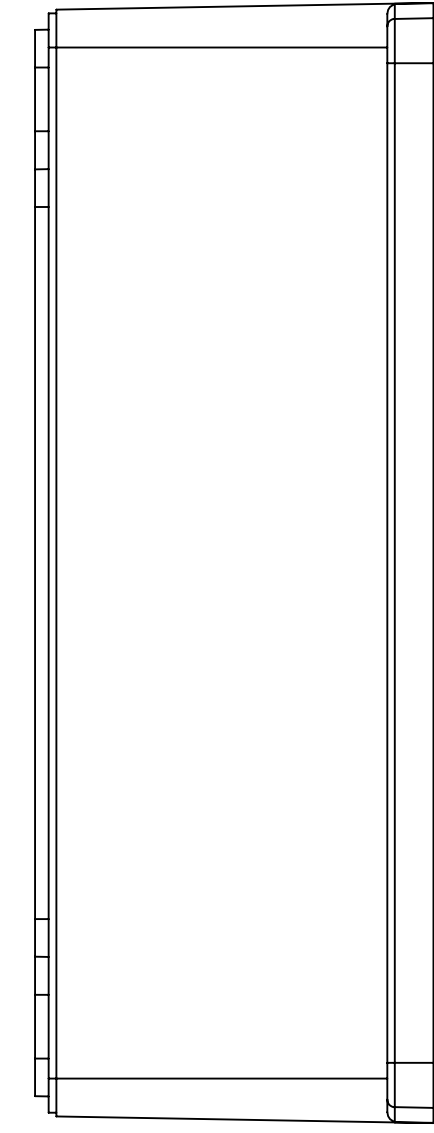
SURFACE-1



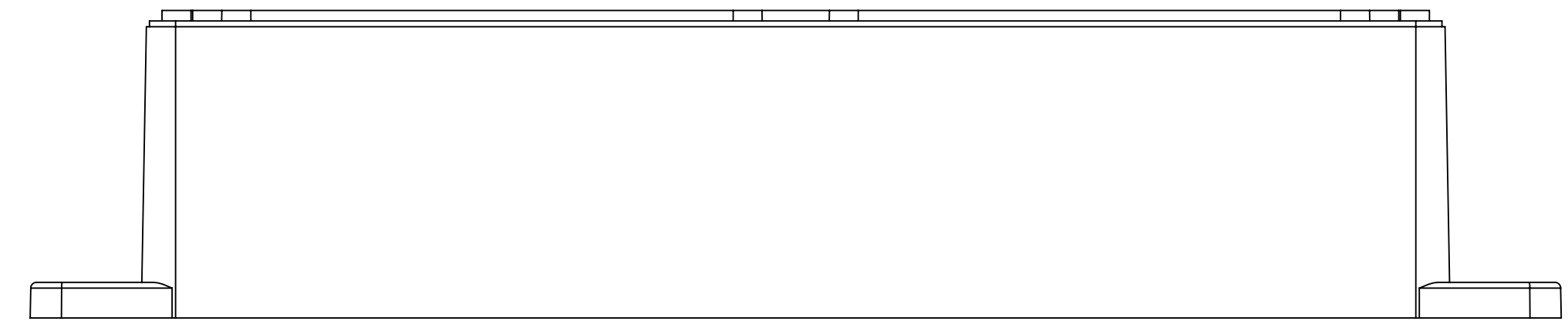
SURFACE-3



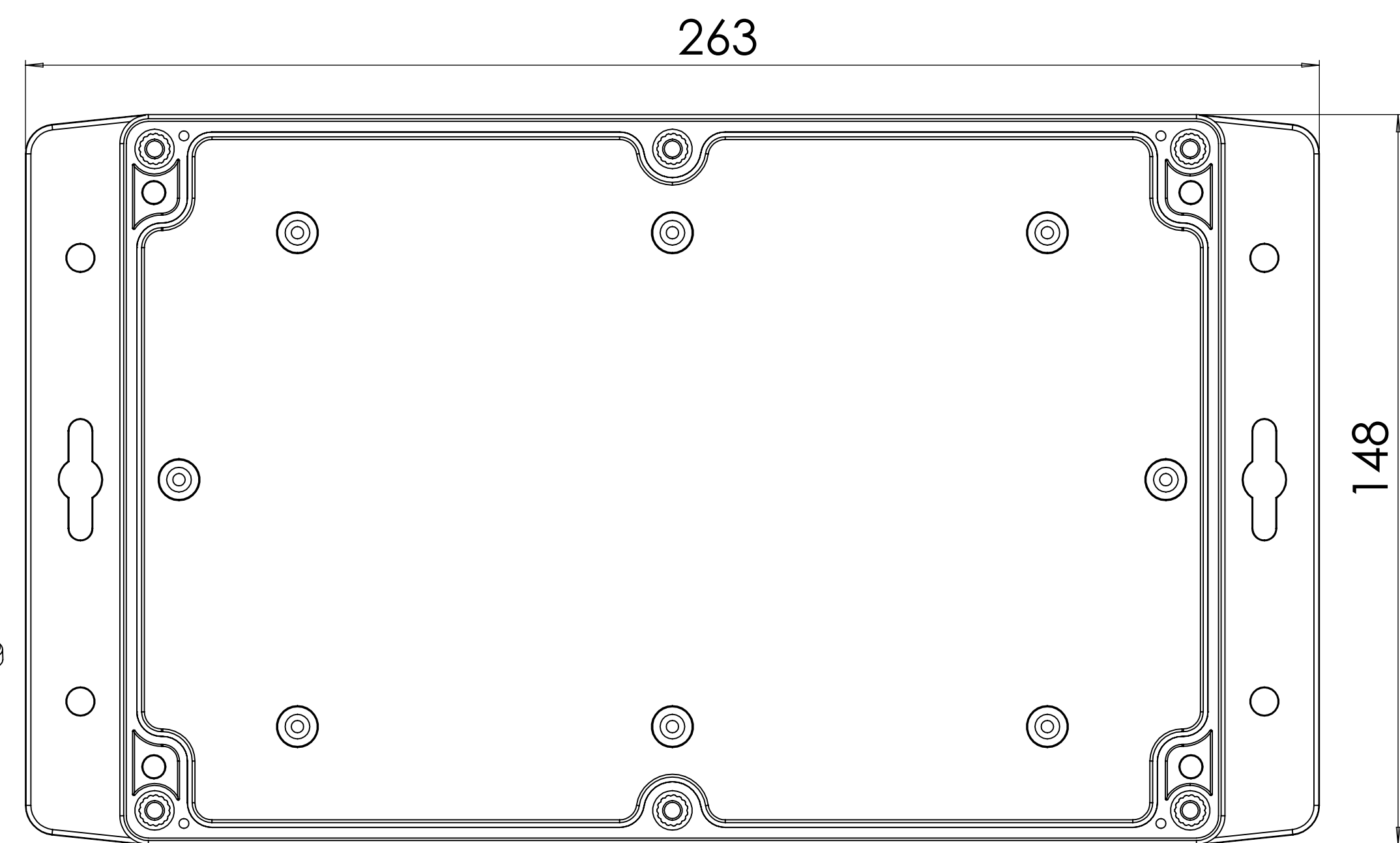
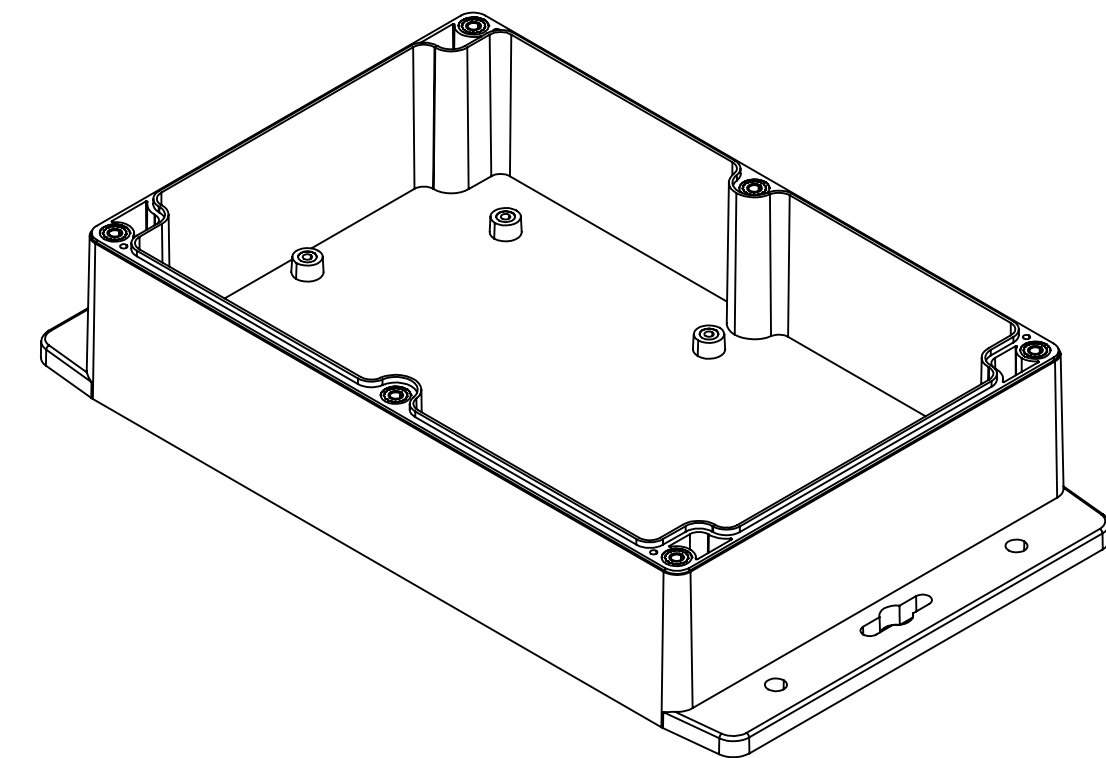
SURFACE-5



SURFACE-4

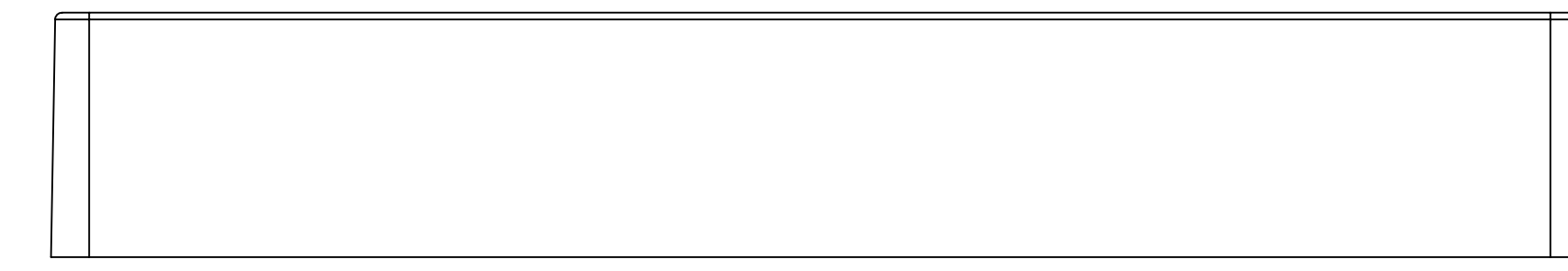


SURFACE-2

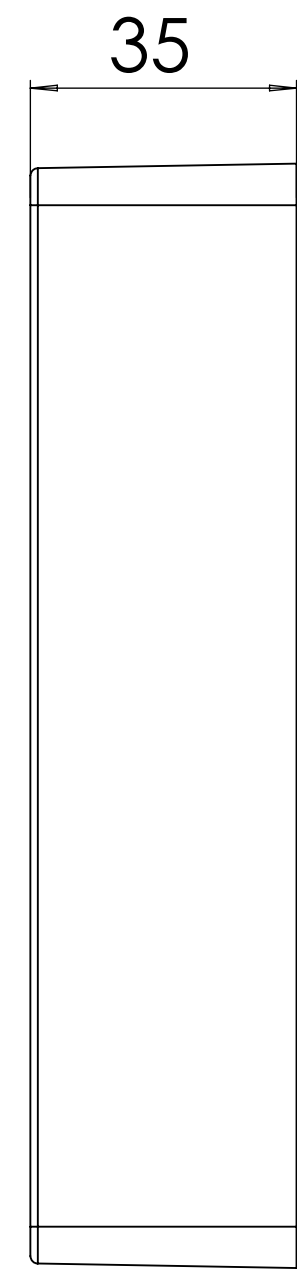


SURFACE-6 (INSIDE)

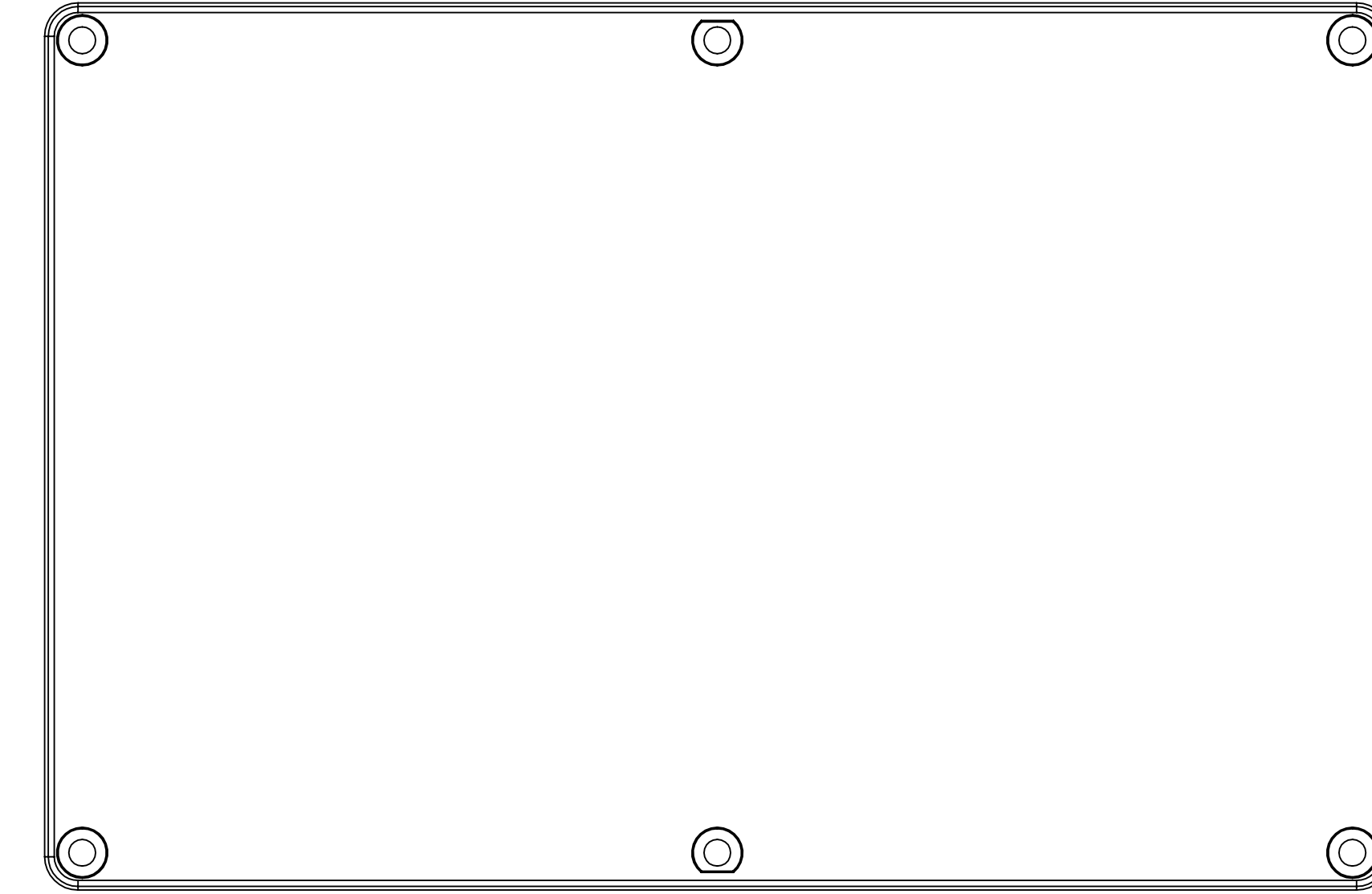
**COVER: 6 SURFACE**



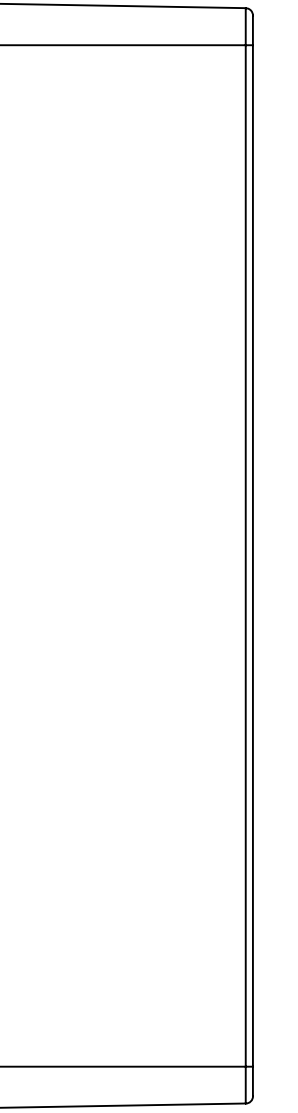
SURFACE-7



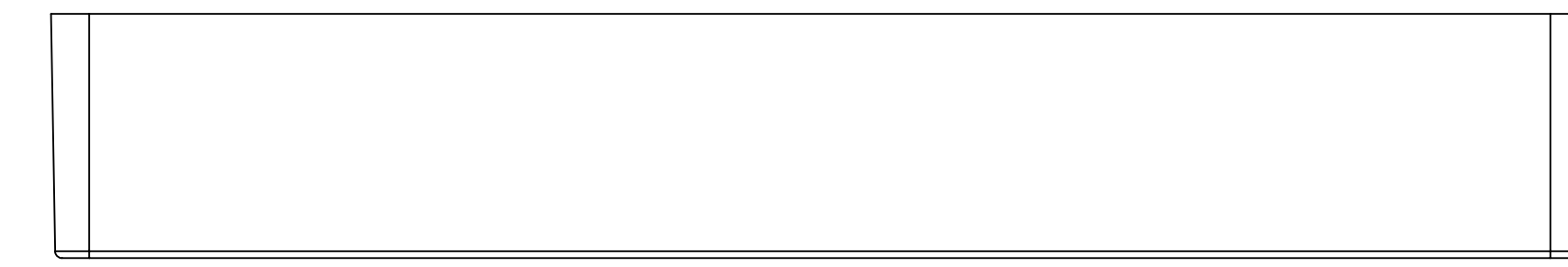
SURFACE-9



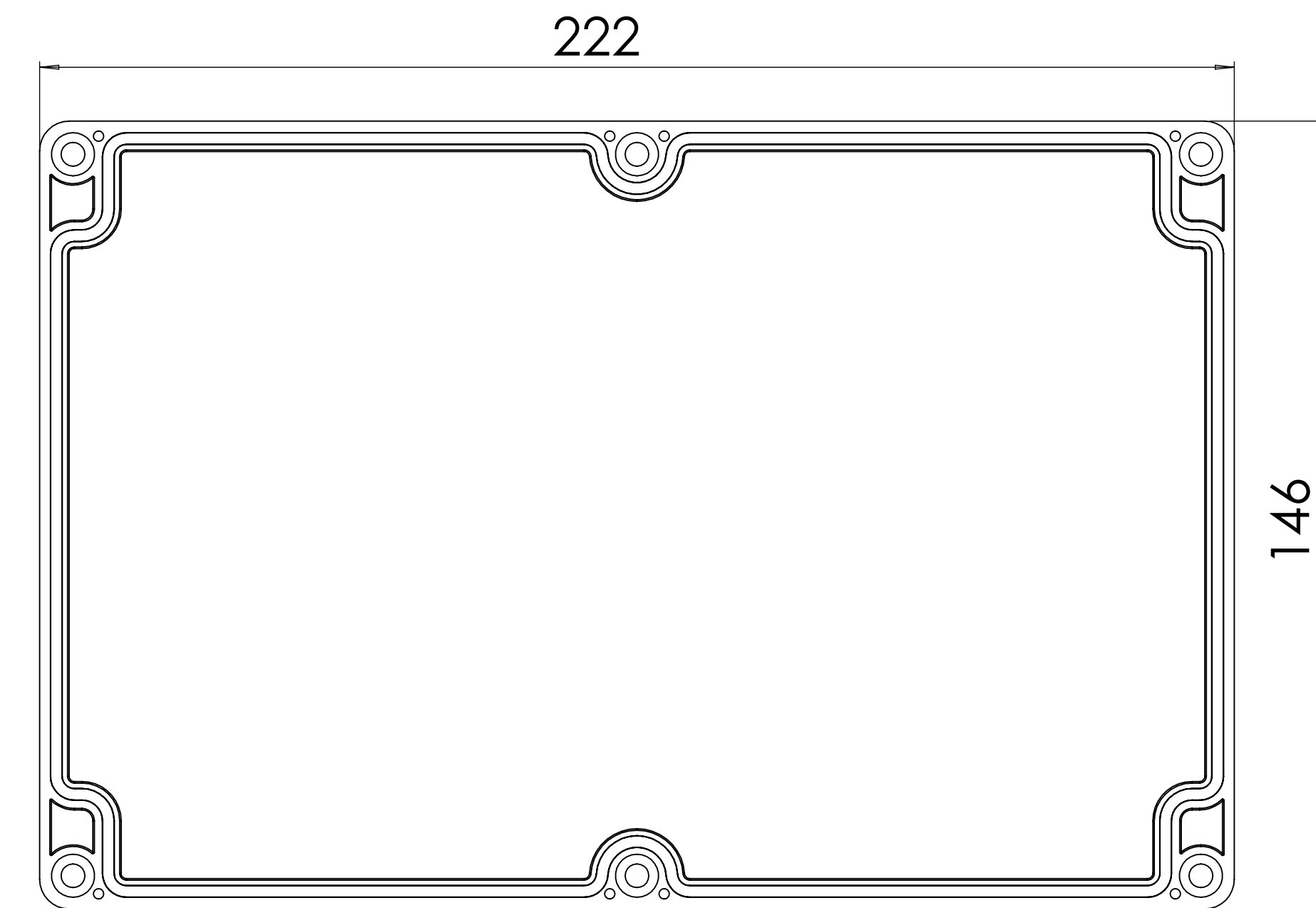
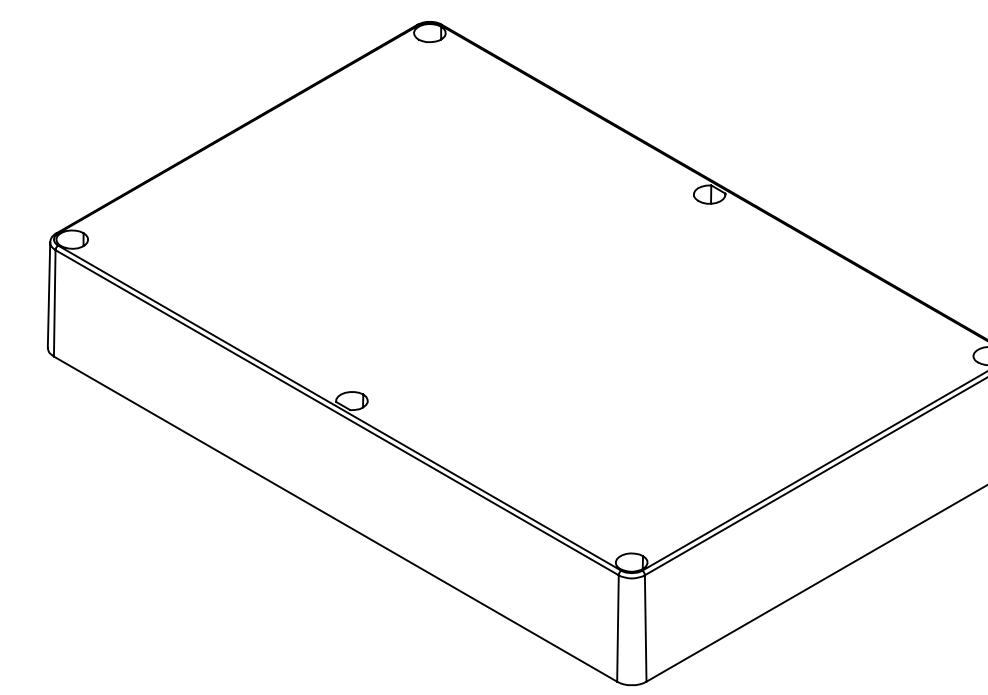
SURFACE-11




SURFACE-10



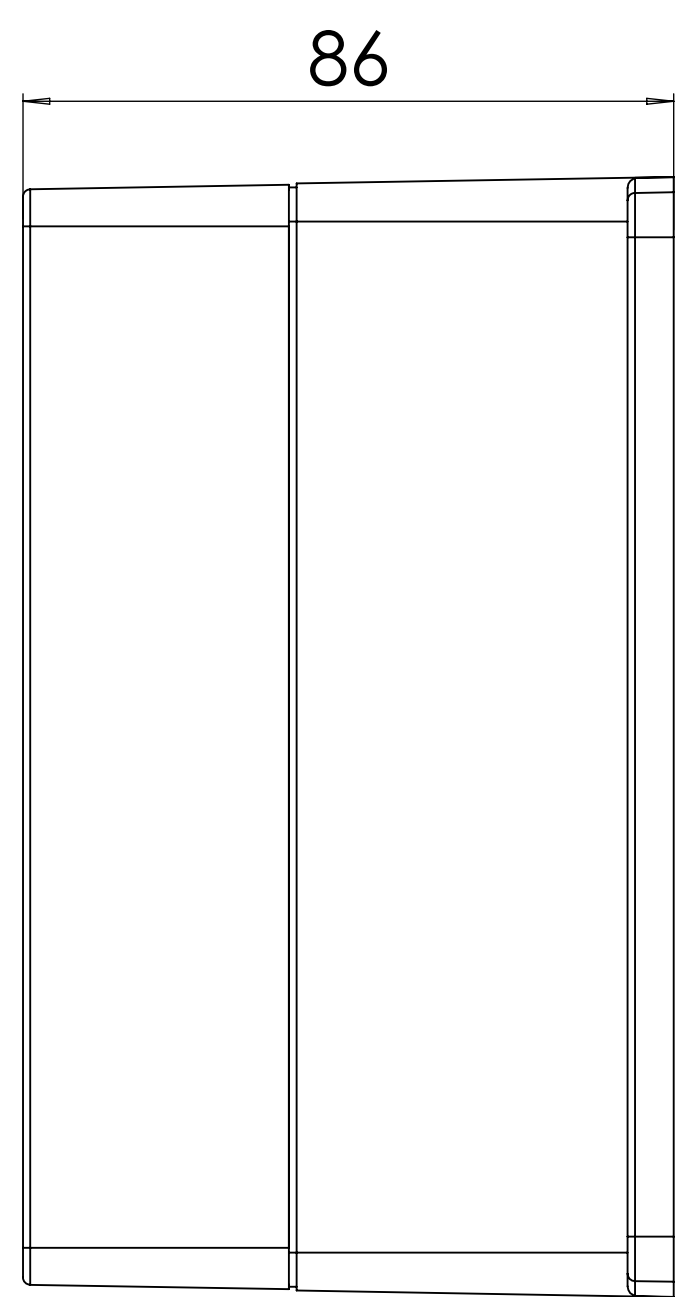
SURFACE-8



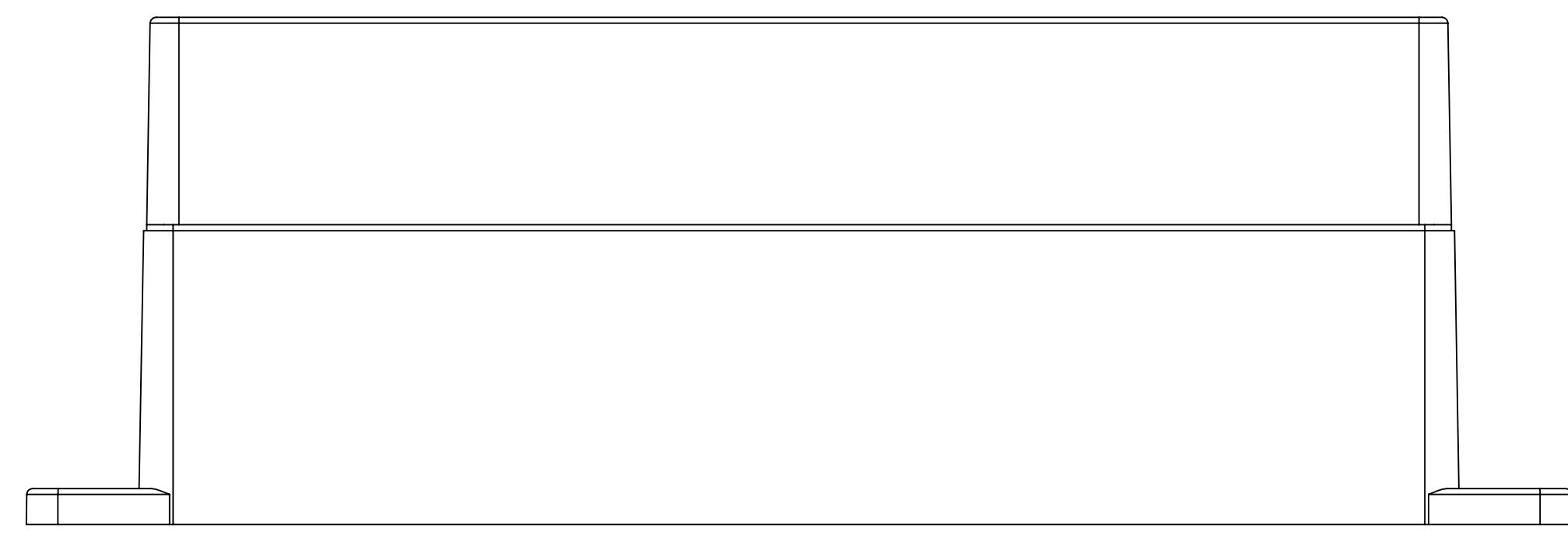
SURFACE-12 (INSIDE)

| REV. NO  | DATE  | REVISED BY            | DESCRIPTION OF CHANGE                                    |
|--|-------|-----------------------|--|
|  <b>ALTINKAYA</b><br>Electronic Enclosures & Components |       |                       | <a href="http://www.altinkaya.com">www.altinkaya.com</a> |
| Customer Name:   |       | Customer Ref.:        |  |
| Altinkaya Ref.:  |       | Part Name: SF-238-0-0 |  |
| DRAWN  | NAME  | DATE                  | Drawn From:  |
| CHECKED  | Y.YEL | 9.07.2024             | Material:  |
| DIMENSIONAL TOLERANCES UNLESS OTHERWISE SPECIFIED (DIN7168)  |       |                       | SCALE 1:1<br>SHEET 1 OF 2                                |
| 0.5-3mm  | 3-6mm | 6-30mm                | 30-120mm   |
| ±0.1   | ±0.1  | ±0.2                  | ±0.3   |
| Dimension (mm)   |       |                       | ±0.5   |
| m (Medium)   |       |                       | UNIT: mm   |
|  |       |                       | A0   |

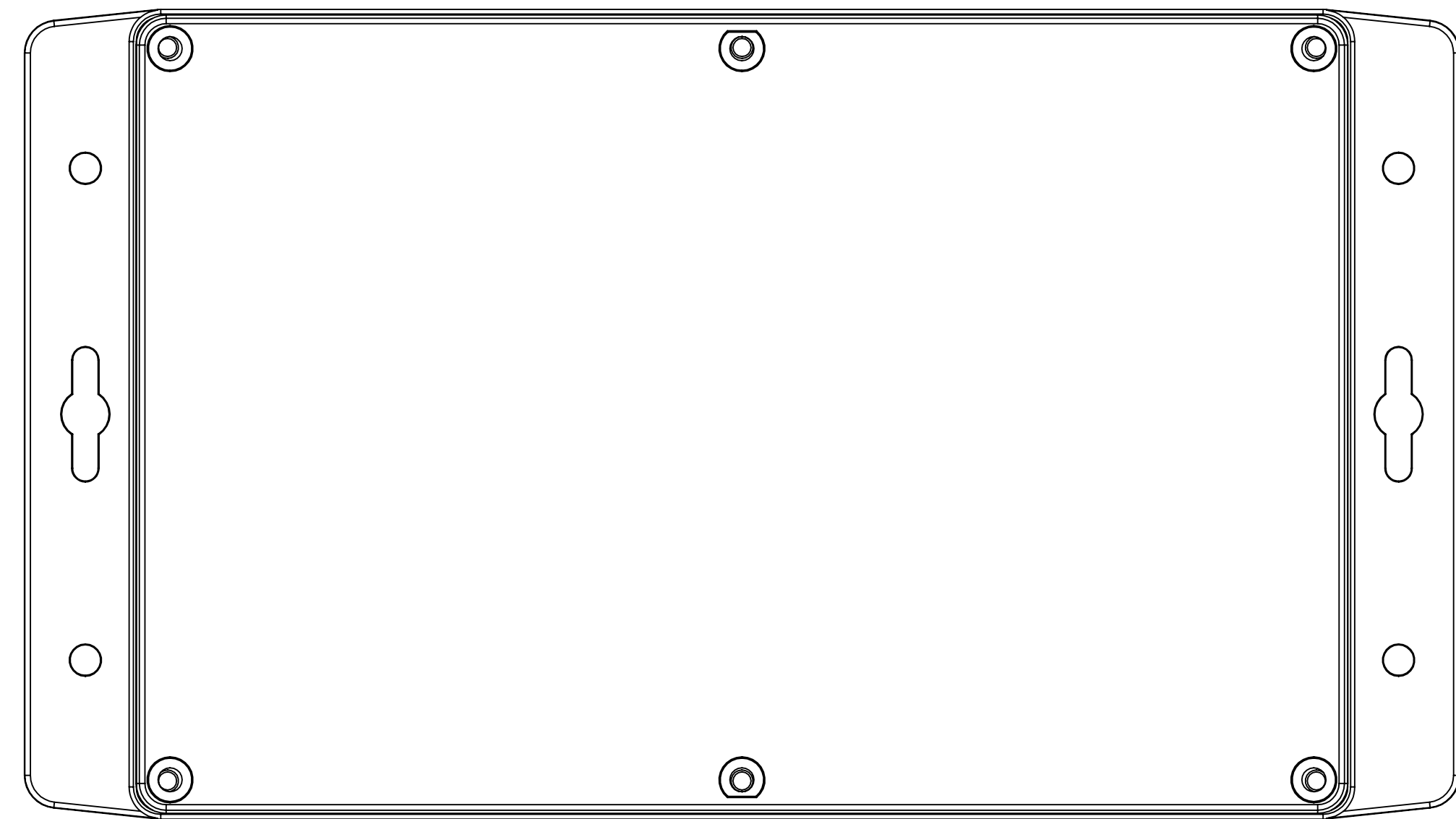
**SF-258 IF MACHINED TOGETHER**



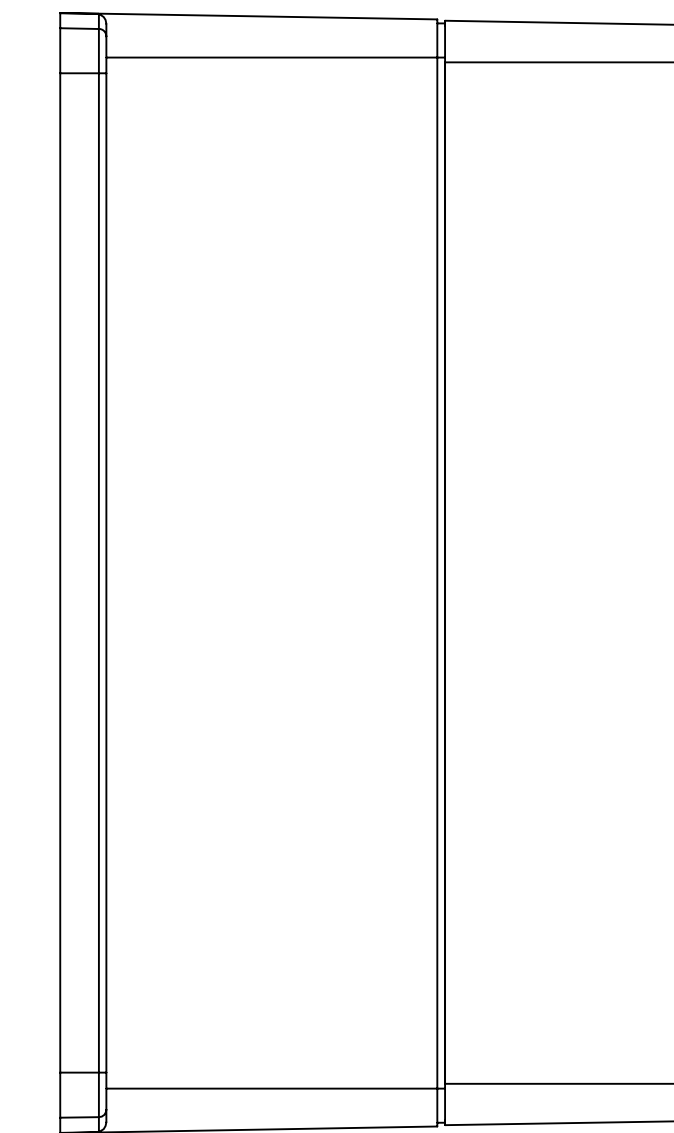
SURFACE-15



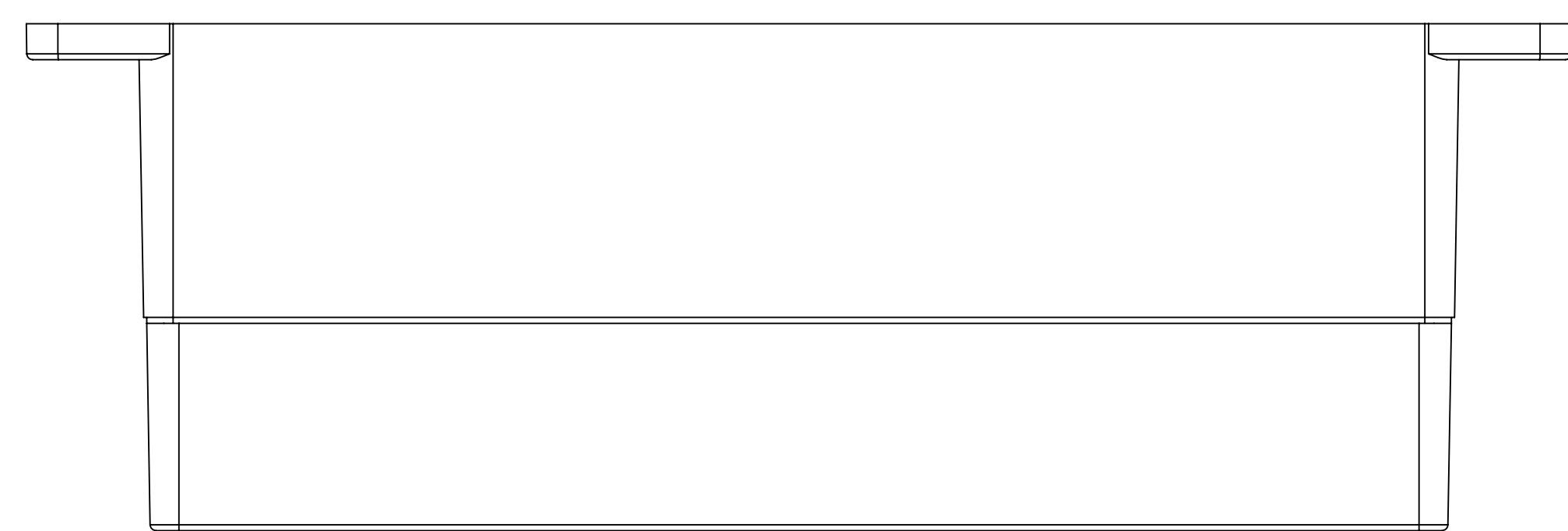
SURFACE-13



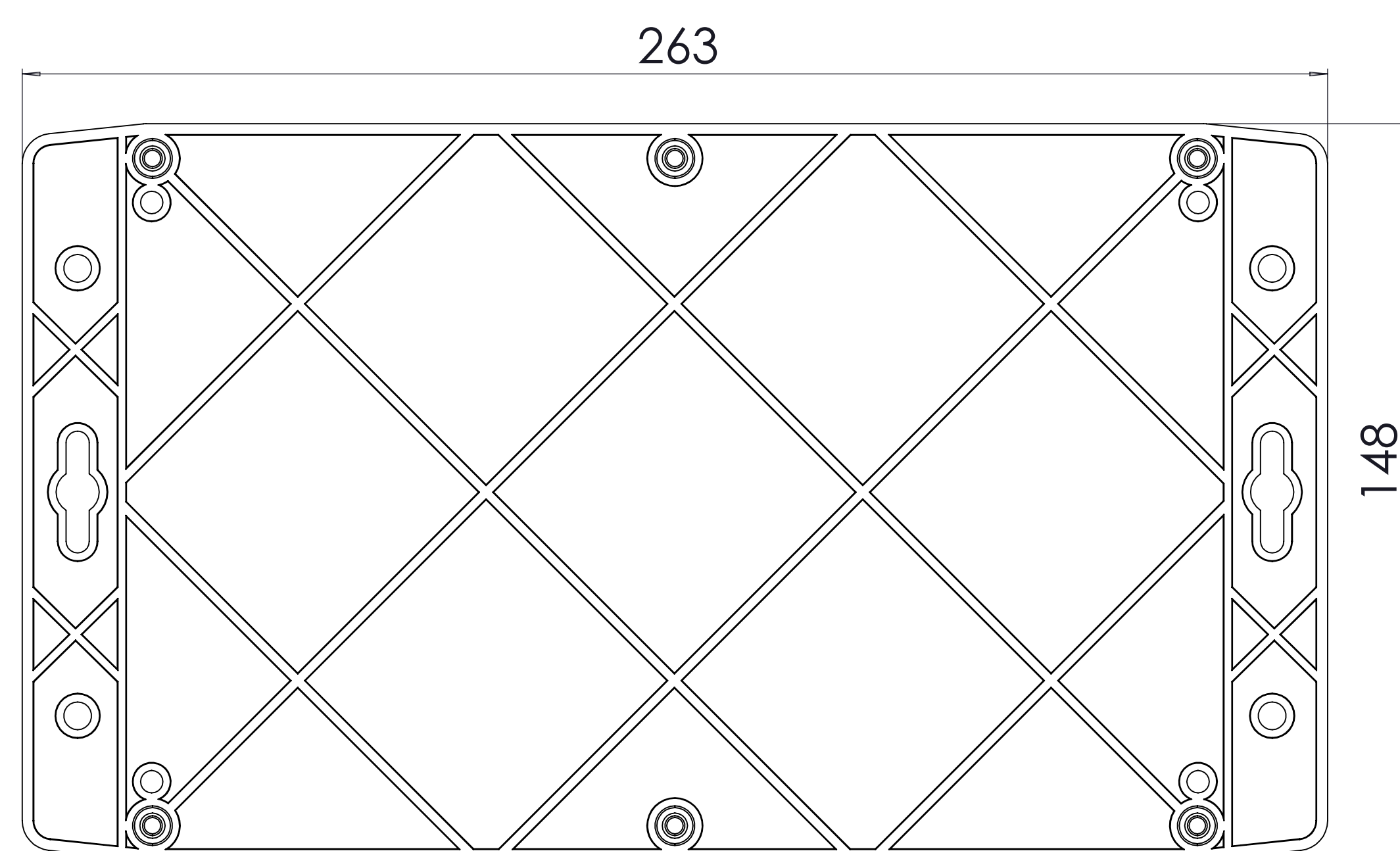
SURFACE-17



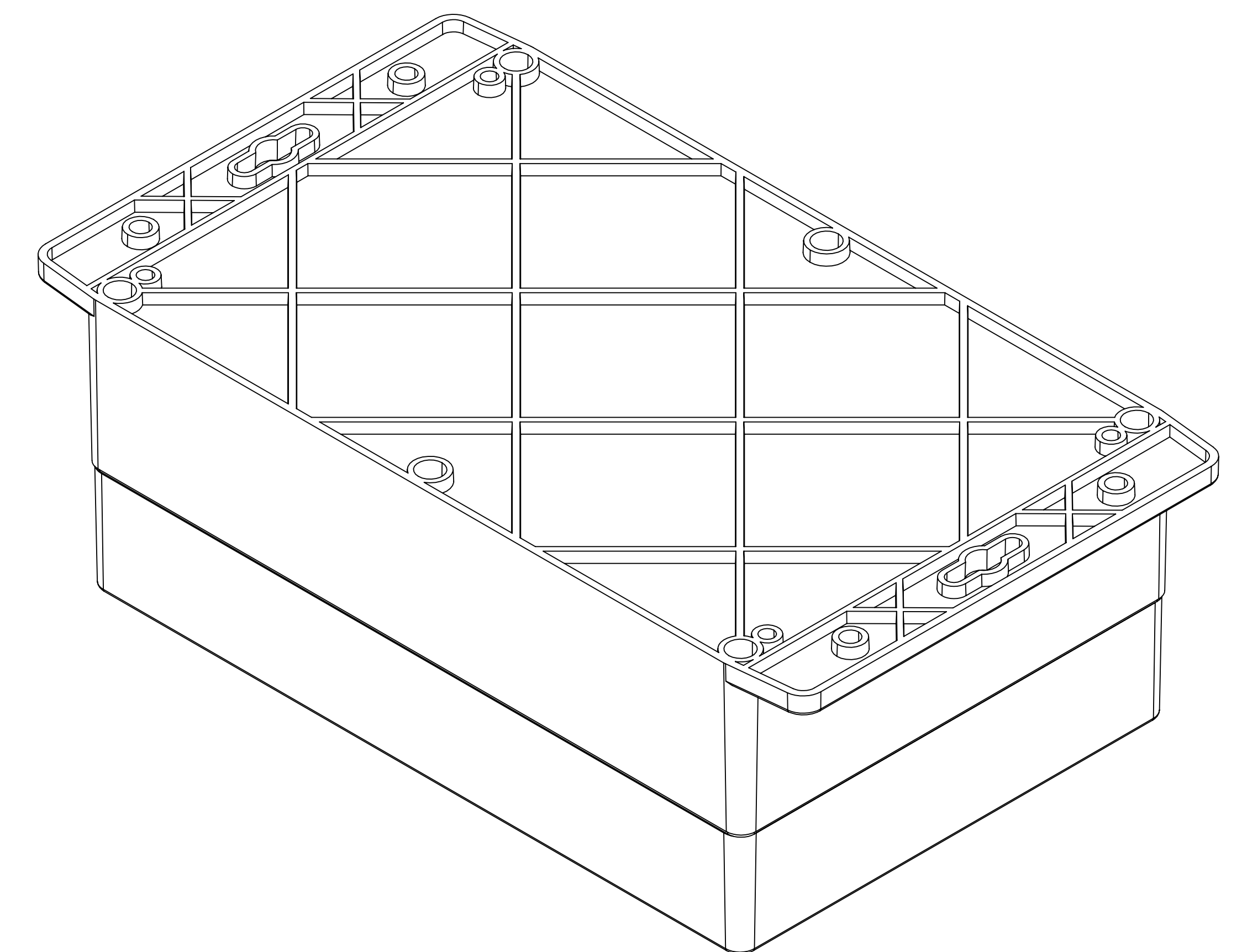
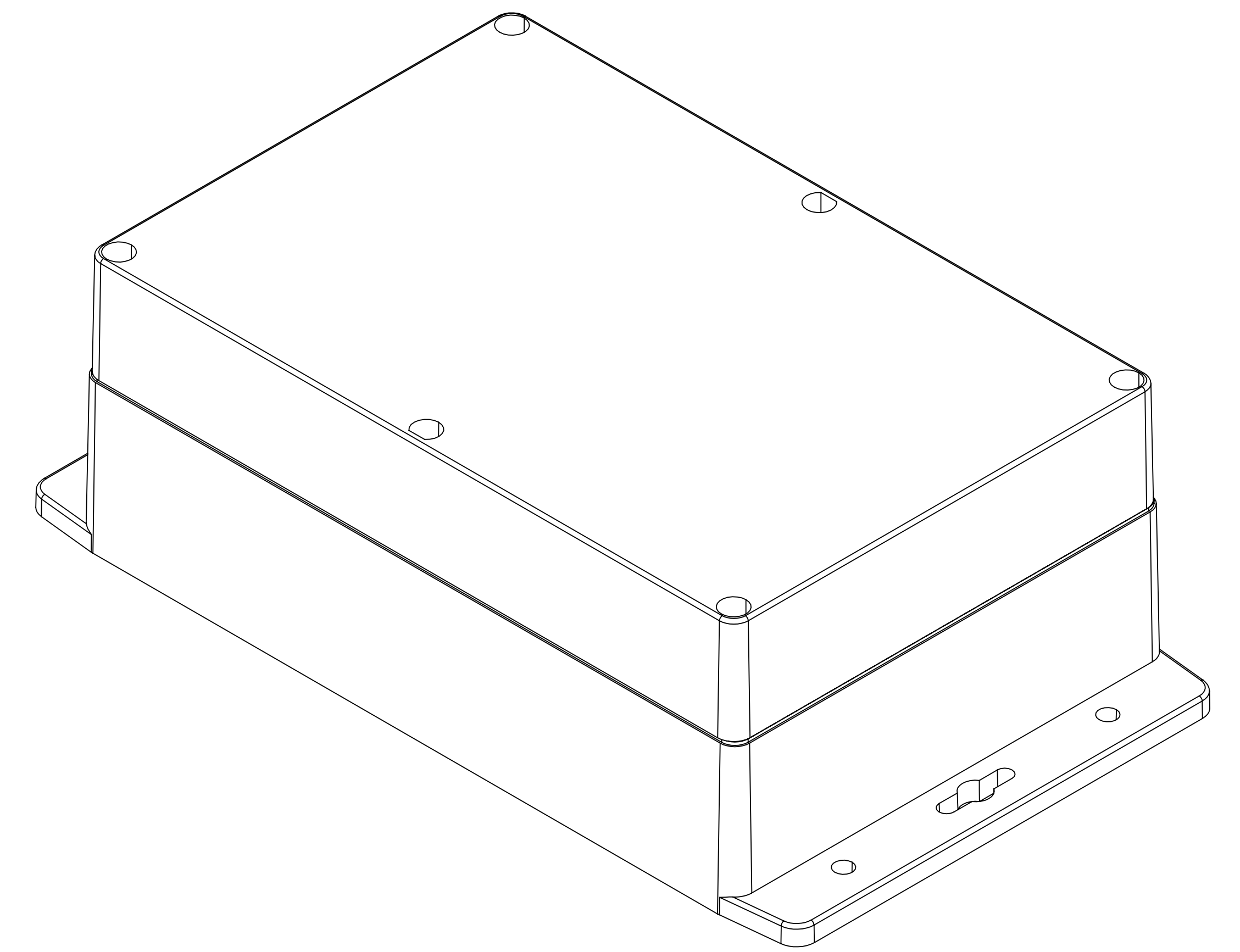
SURFACE-16




SURFACE-14



SURFACE-18



| REV. NO  | DATE  | REVISED BY            | DESCRIPTION OF CHANGE                                    |
|--|-------|-----------------------|--|
|  <b>ALTINKAYA</b><br>Electronic Enclosures & Components |       |                       | <a href="http://www.altinkaya.com">www.altinkaya.com</a> |
| Customer Name:   |       | Customer Ref.:        |  |
| Altinkaya Ref.:  |       | Part Name: SF-258-0-0 |  |
| DRAWN  | NAME  | DATE                  | Drawn From:  |
| CHECKED  | Y.YEL | 9.07.2024             | Material:  |
| DIMENSIONAL TOLERANCES UNLESS OTHERWISE SPECIFIED (DIN7168)  |       | 0.5-3mm               | 3-6mm  |
|  |       | ±0.1                  | ±0.1   |
|  |       | 6-30mm                | 30-120mm   |
|  |       | ±0.2                  | ±0.3   |
|  |       | 120-400mm             | Dimension (mm)   |
|  |       | ±0.5                  | m (Medium)   |
| SCALE 1:1  |       |                       | SHEET 2 OF 2   |
| UNIT: mm   |       |                       | AO   |