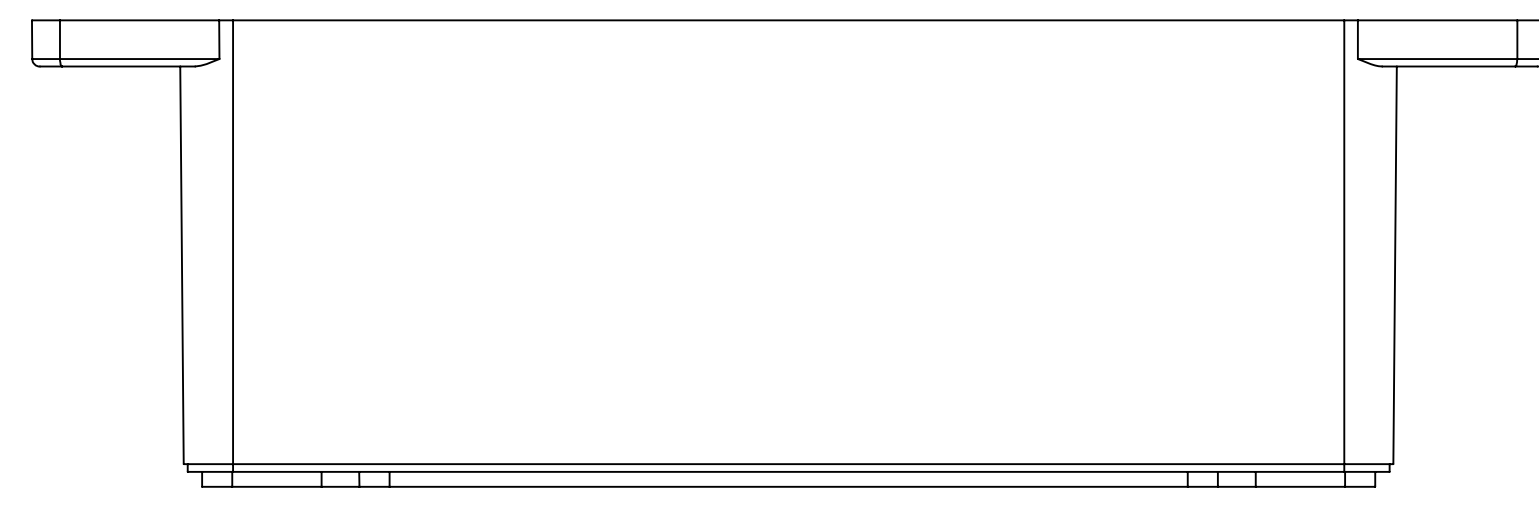
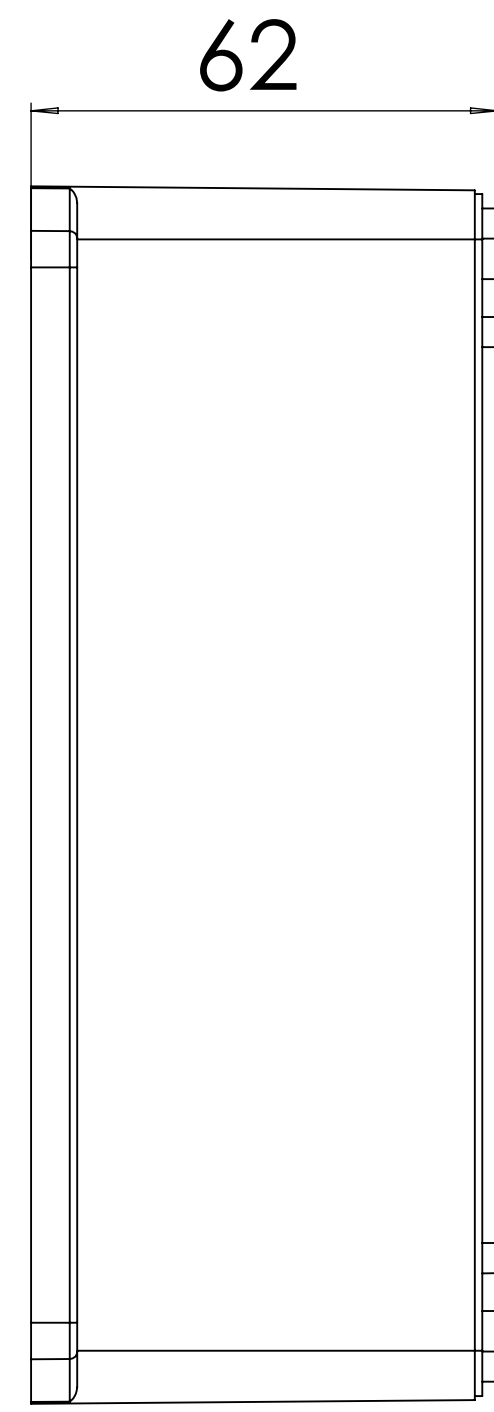


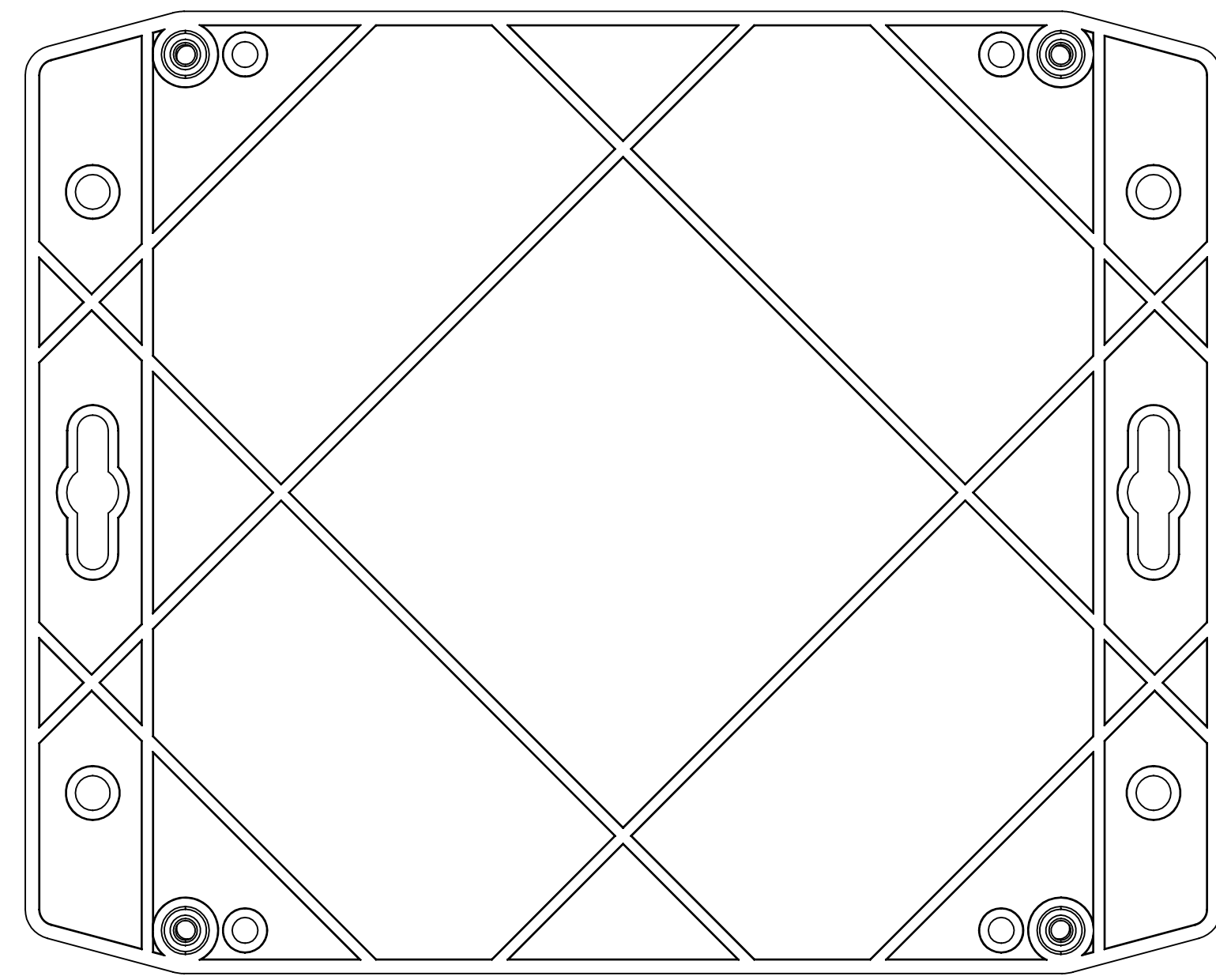
**BASE: 6 SURFACE**



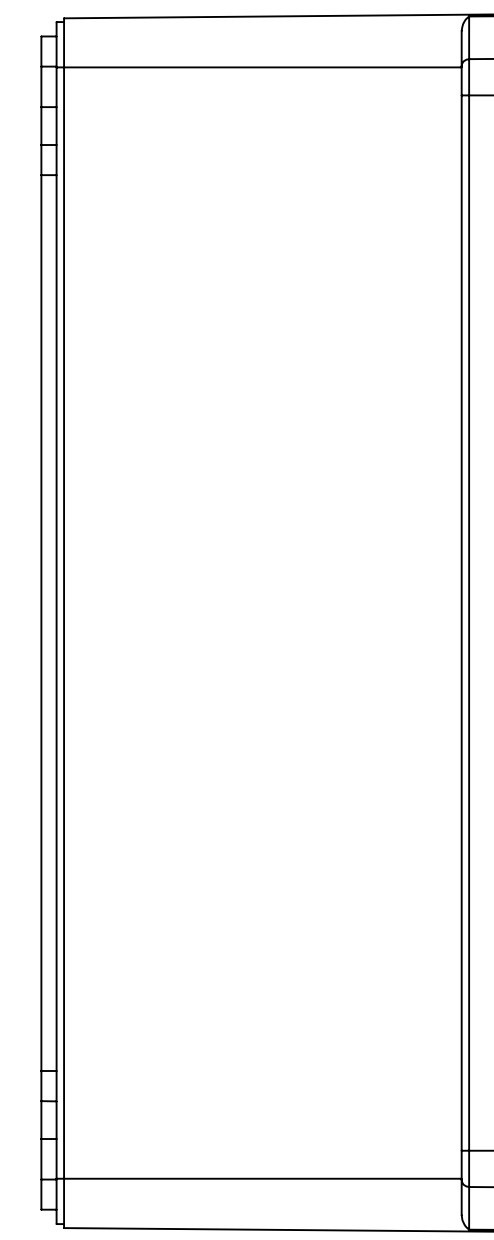
SURFACE-1



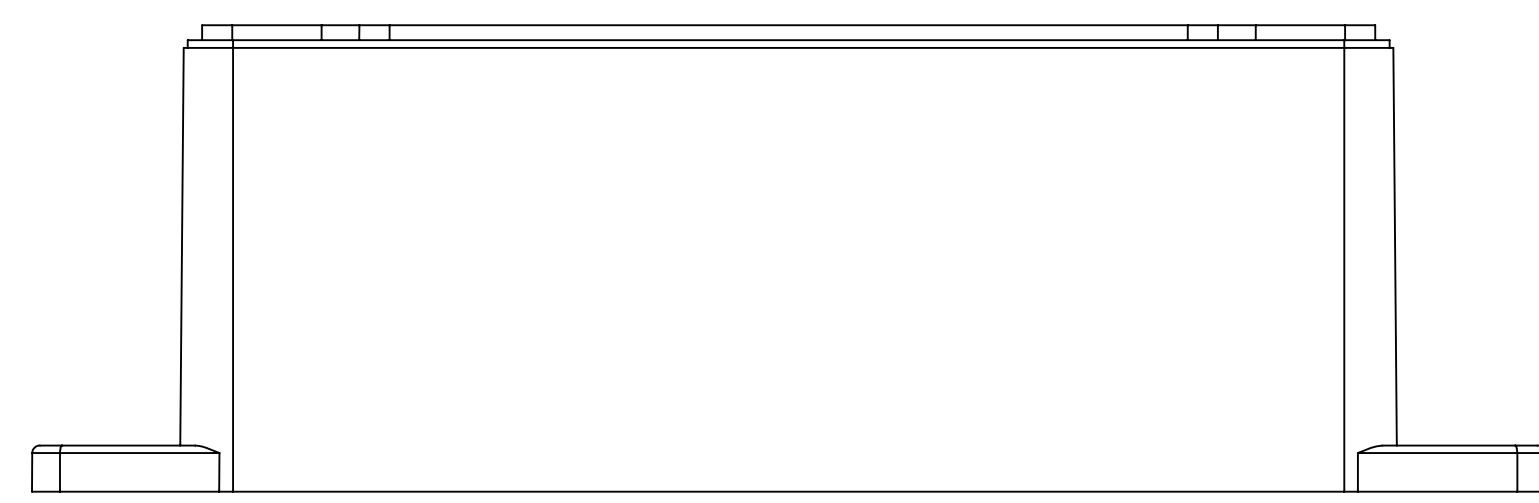
SURFACE-3



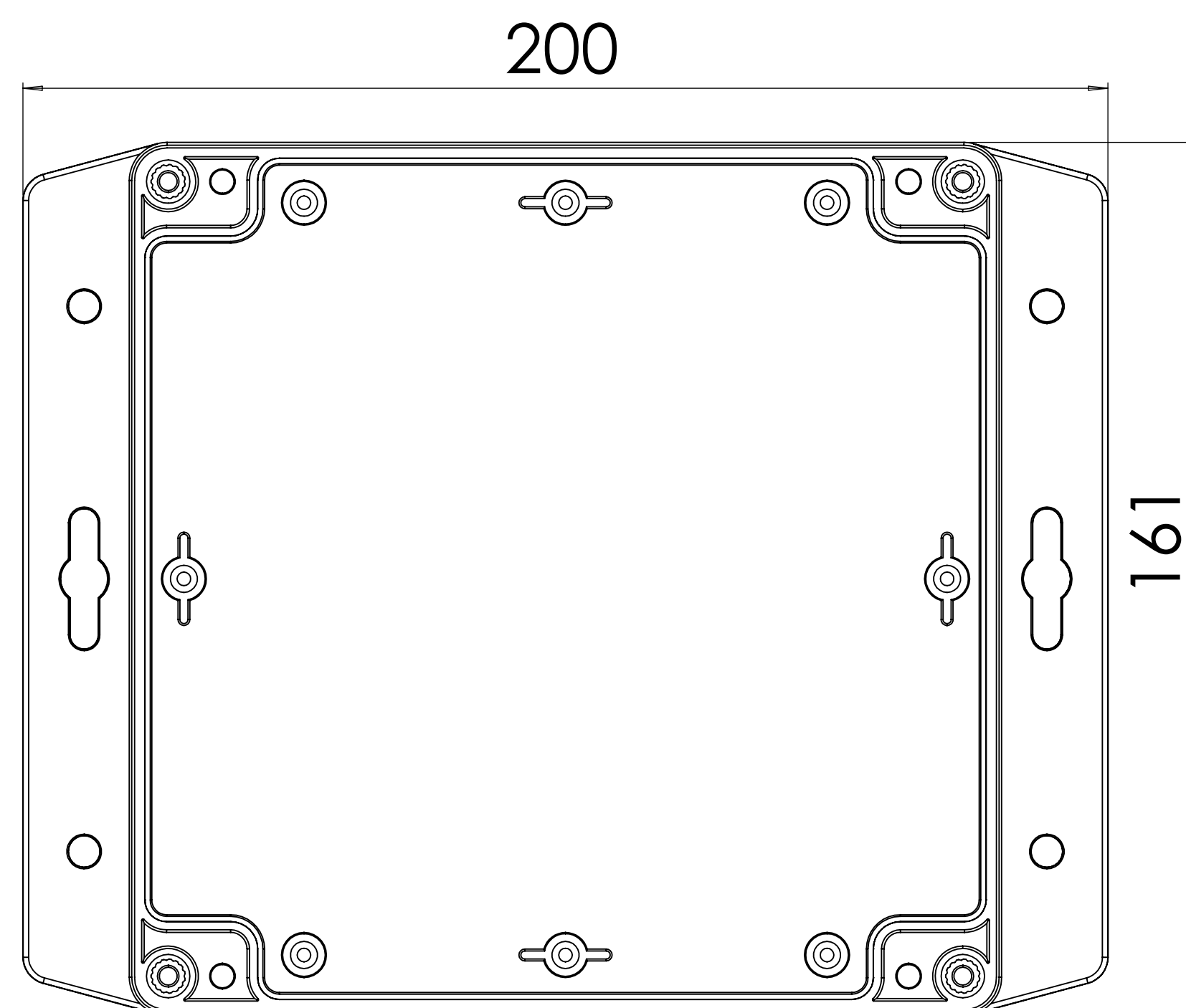
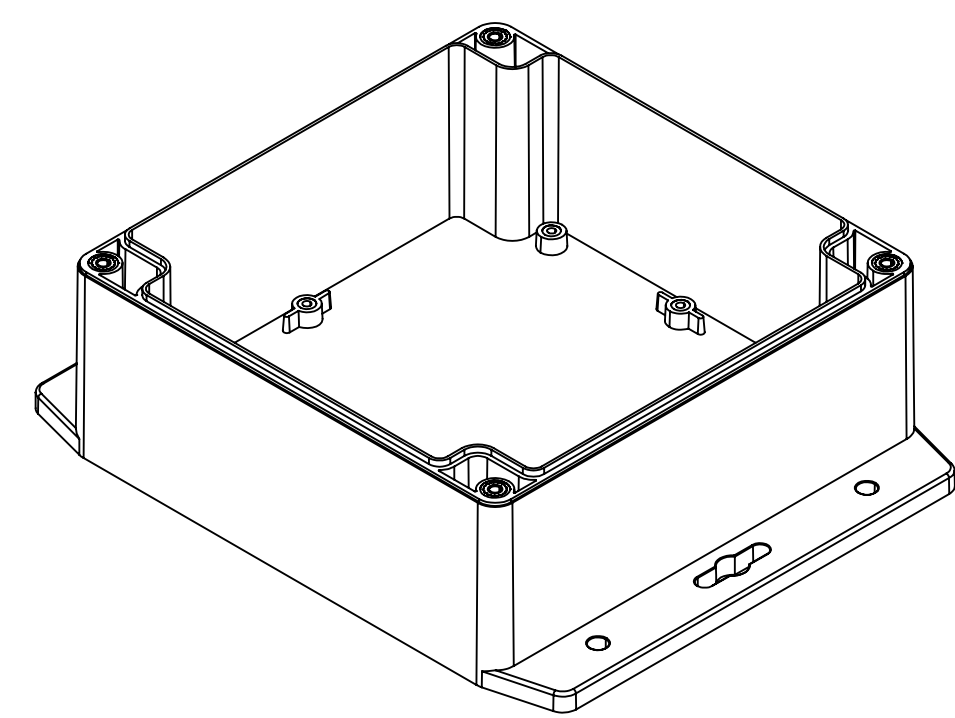
SURFACE-5



SURFACE-4

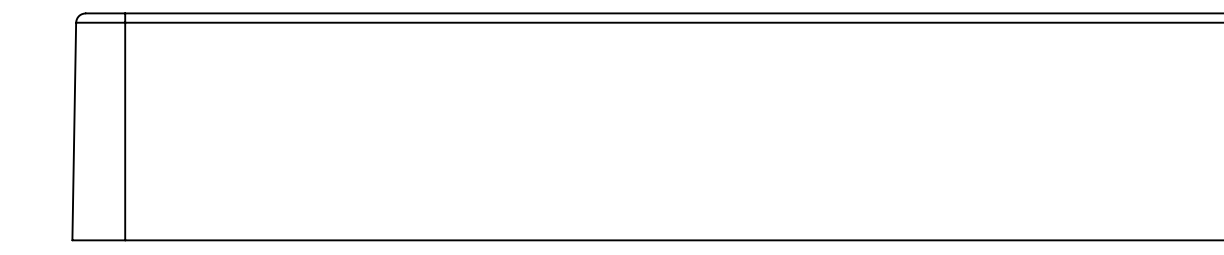


SURFACE-2

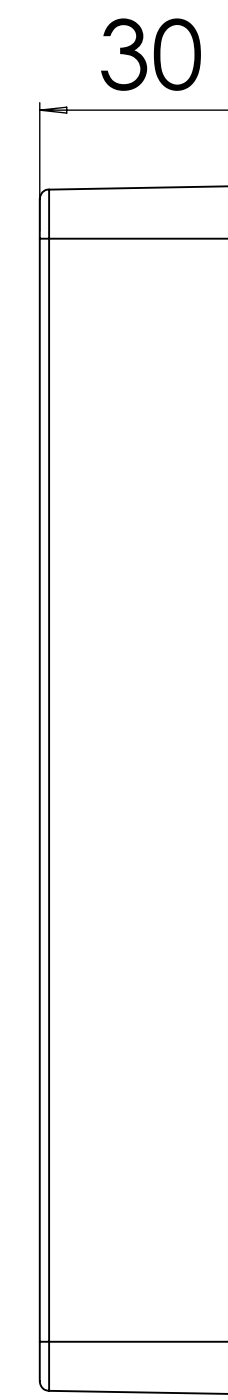


SURFACE-6 (INSIDE)

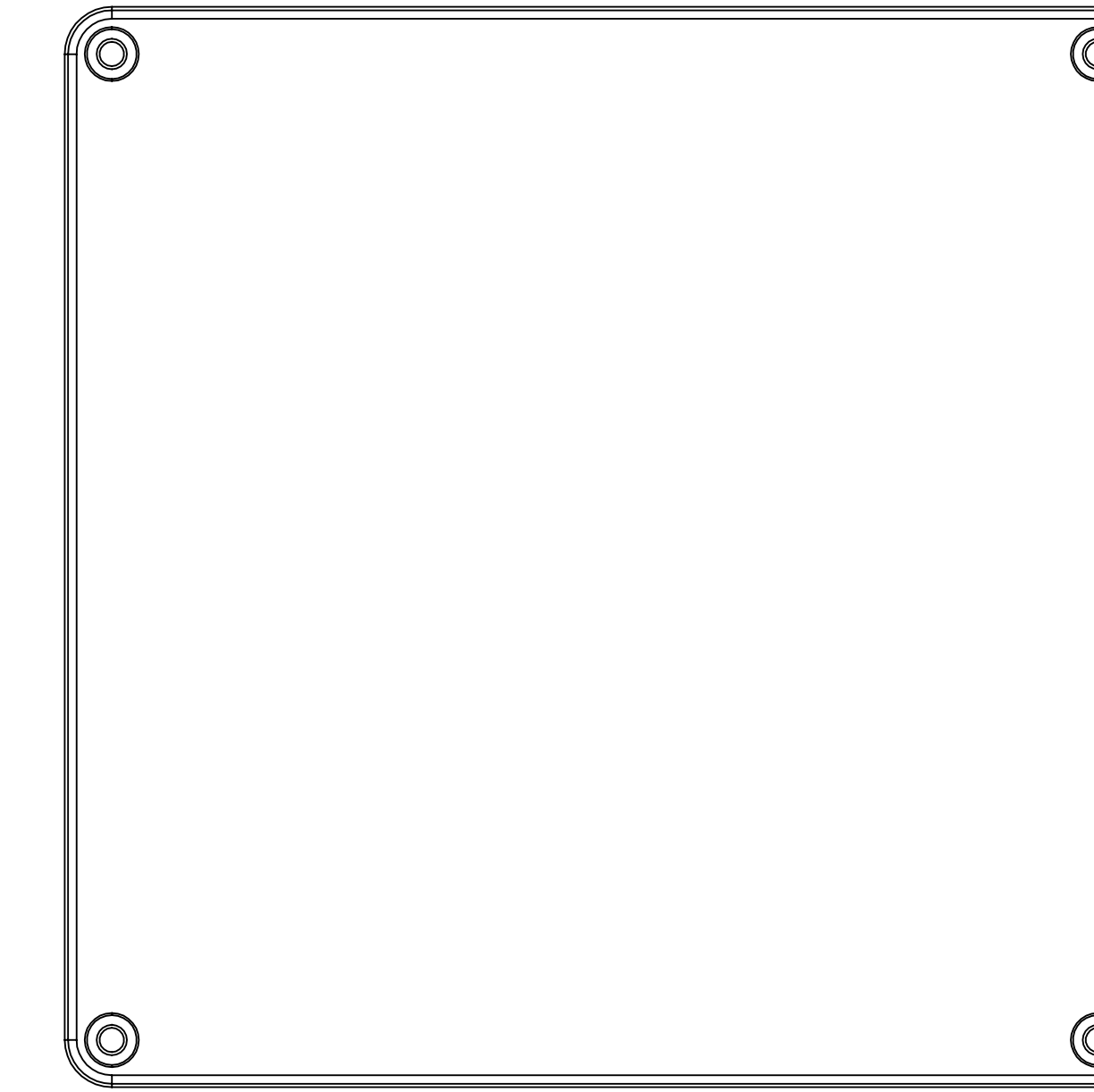
**COVER: 6 SURFACE**



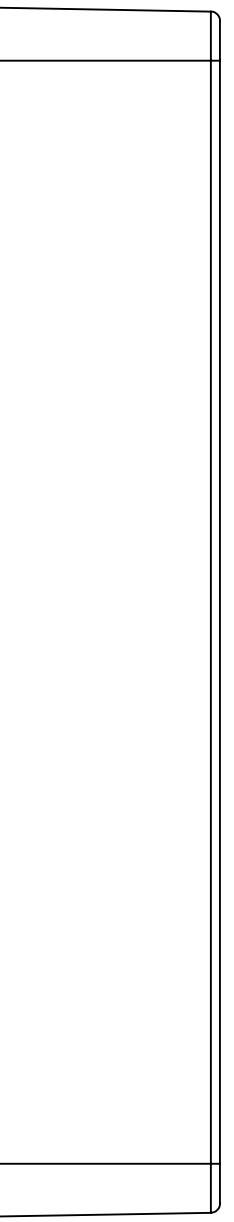
SURFACE-7



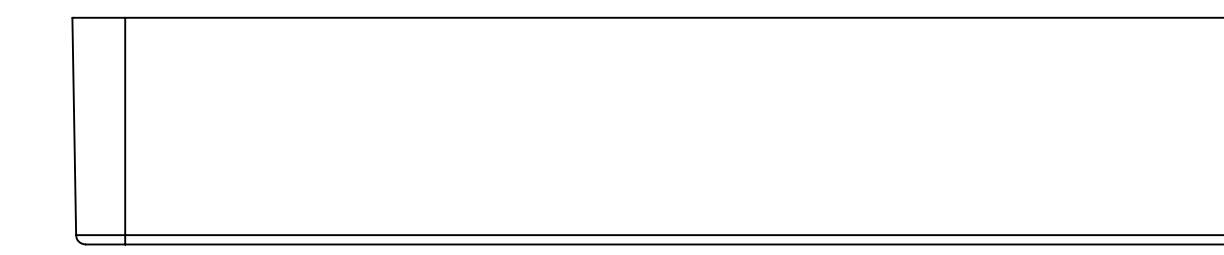
SURFACE-9



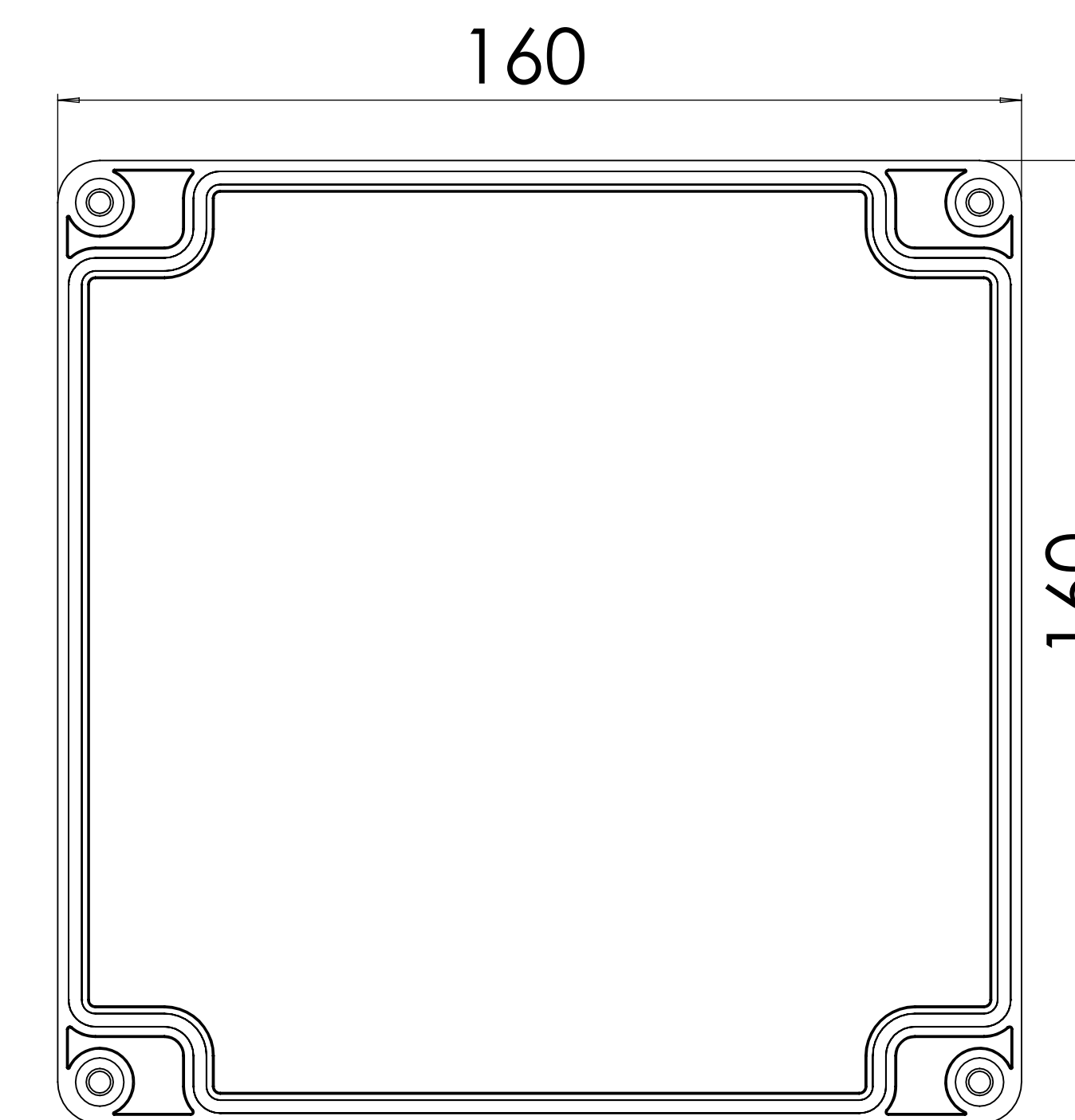
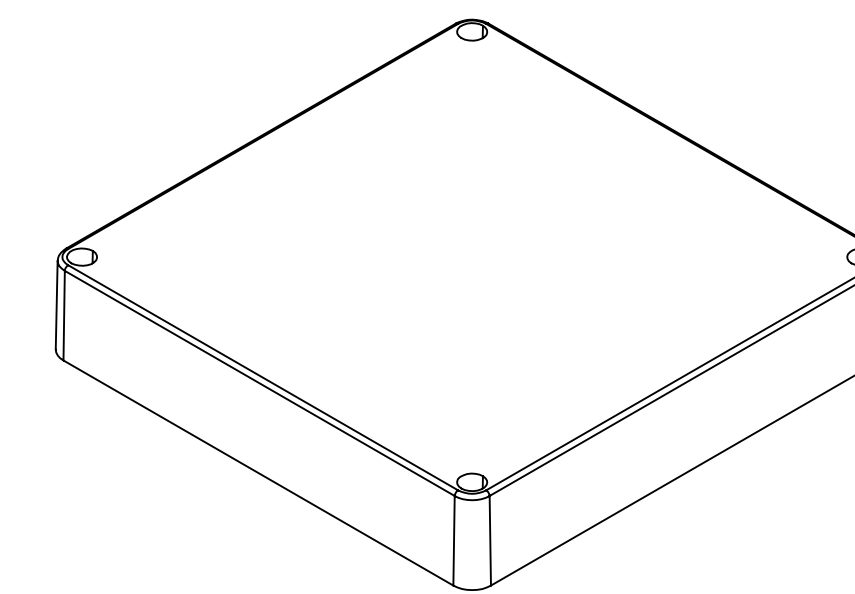
SURFACE-11



SURFACE-10



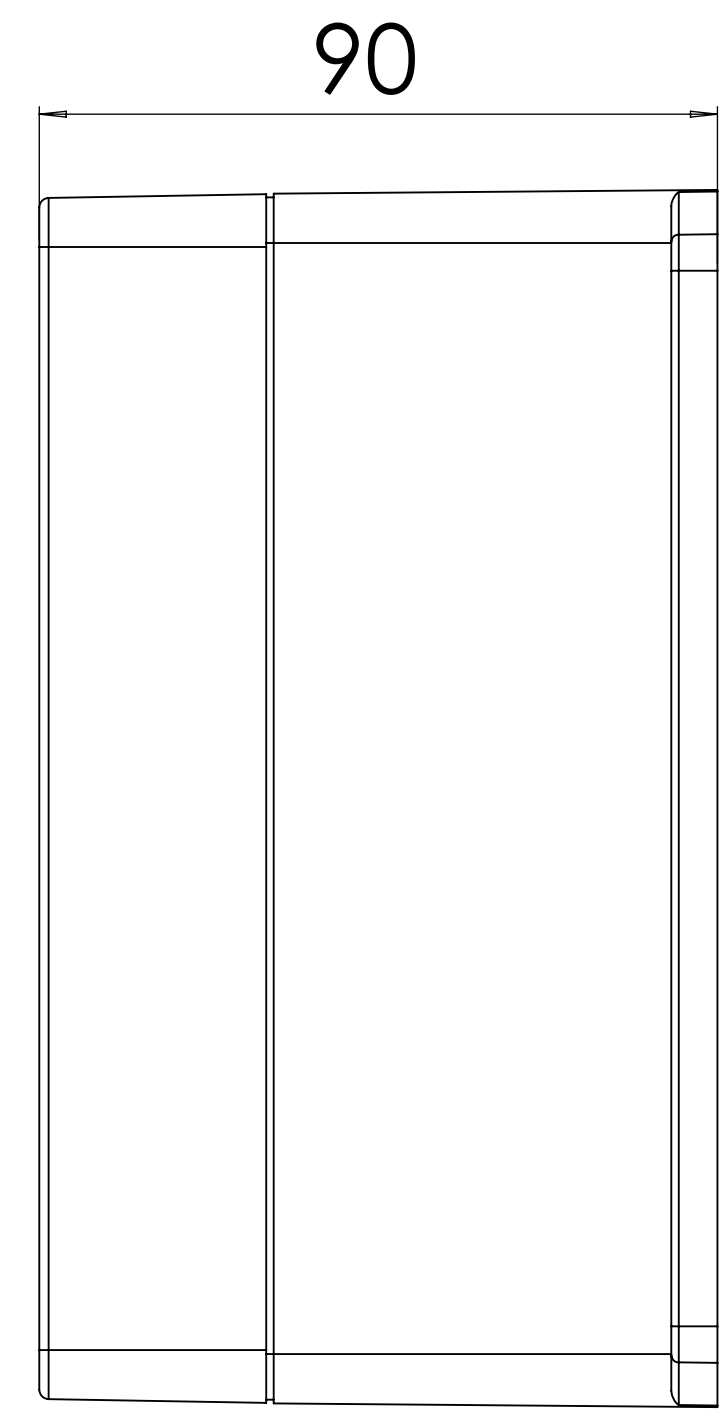
SURFACE-8



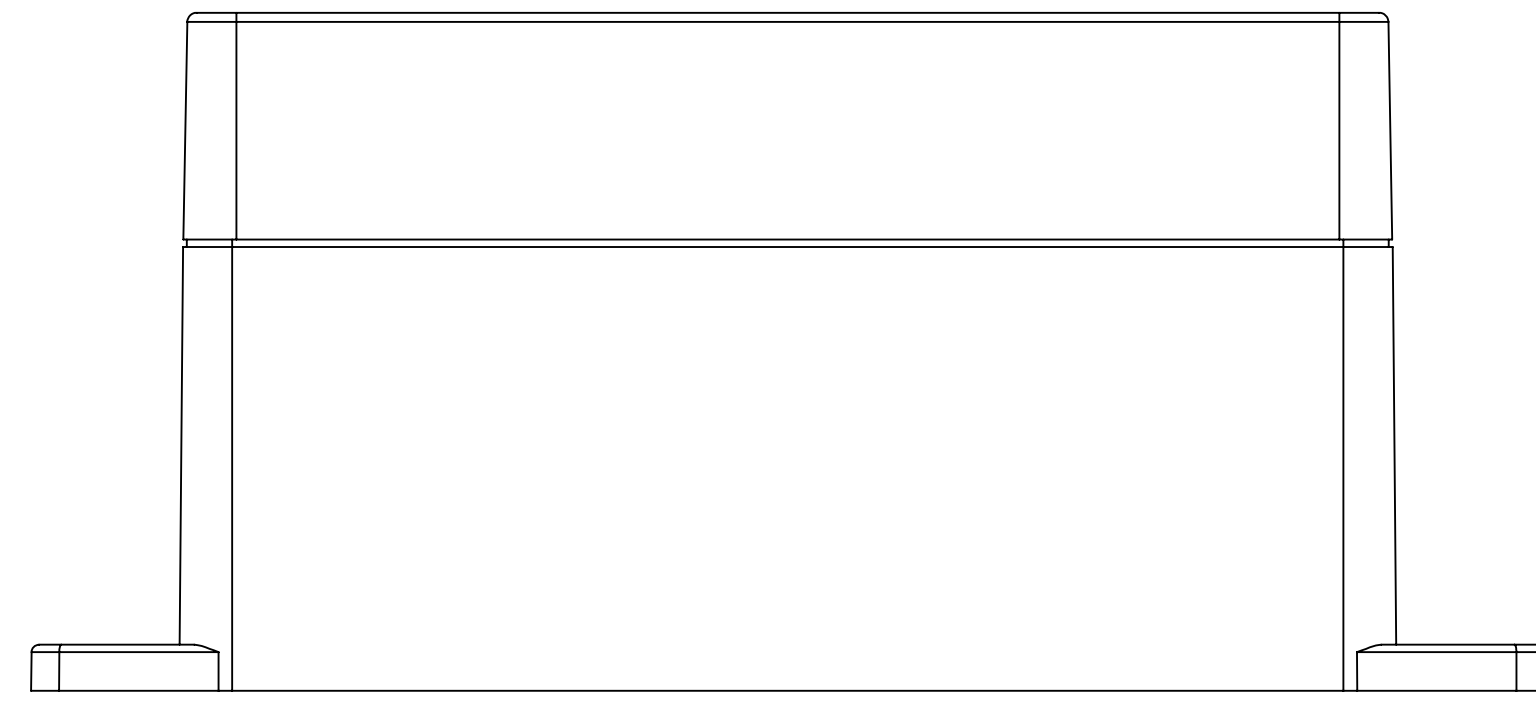
SURFACE-12 (INSIDE)

REV. NO	DATE	REVISED BY	DESCRIPTION OF CHANGE
 <b>ALTINKAYA</b> Electronic Enclosures & Components			<a href="http://www.altinkaya.com">www.altinkaya.com</a>
Customer Name:		Customer Ref.:	
Altinkaya Ref.:		Part Name: SF-246-0-0	
DRAWN	NAME	DATE	Drawn From:
CHECKED	Y.YEL	6.07.2024	Material:
DIMENSIONAL TOLERANCES UNLESS OTHERWISE SPECIFIED (DIN7168)		0.5-3mm	3-6mm
		±0.1	±0.1
		6-30mm	30-120mm
		±0.2	±0.3
		120-400mm	±0.5
		Dimension (mm)	m (Medium)
SCALE 1:1			SHEET 1 OF 2
UNIT: mm			A0

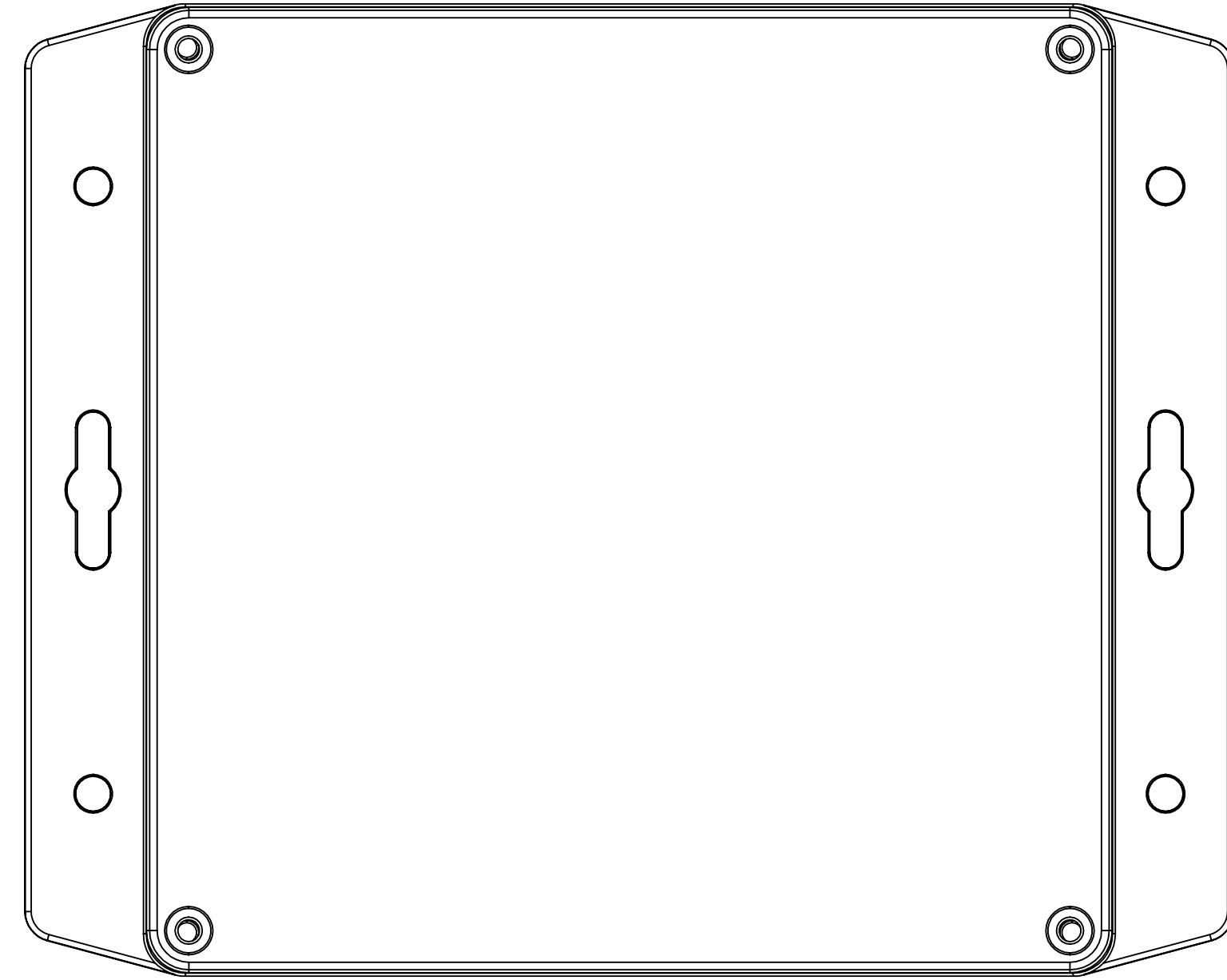
# SF-246 IF MACHINED TOGETHER



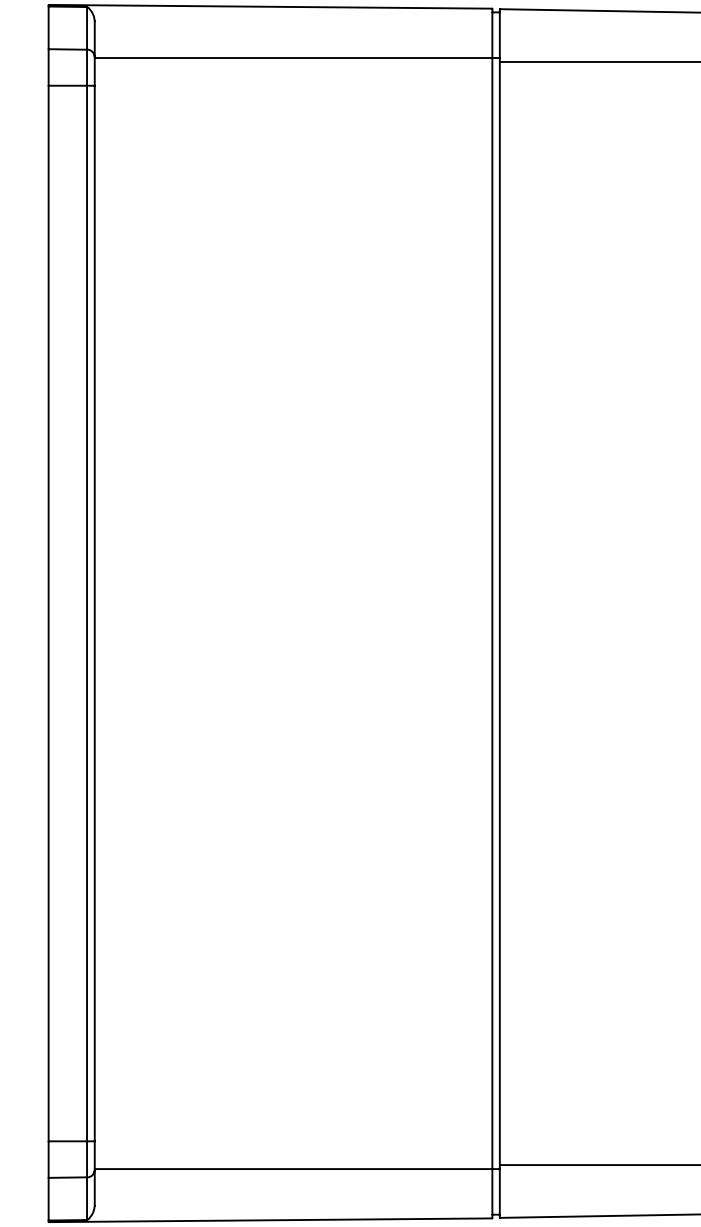
SURFACE-15



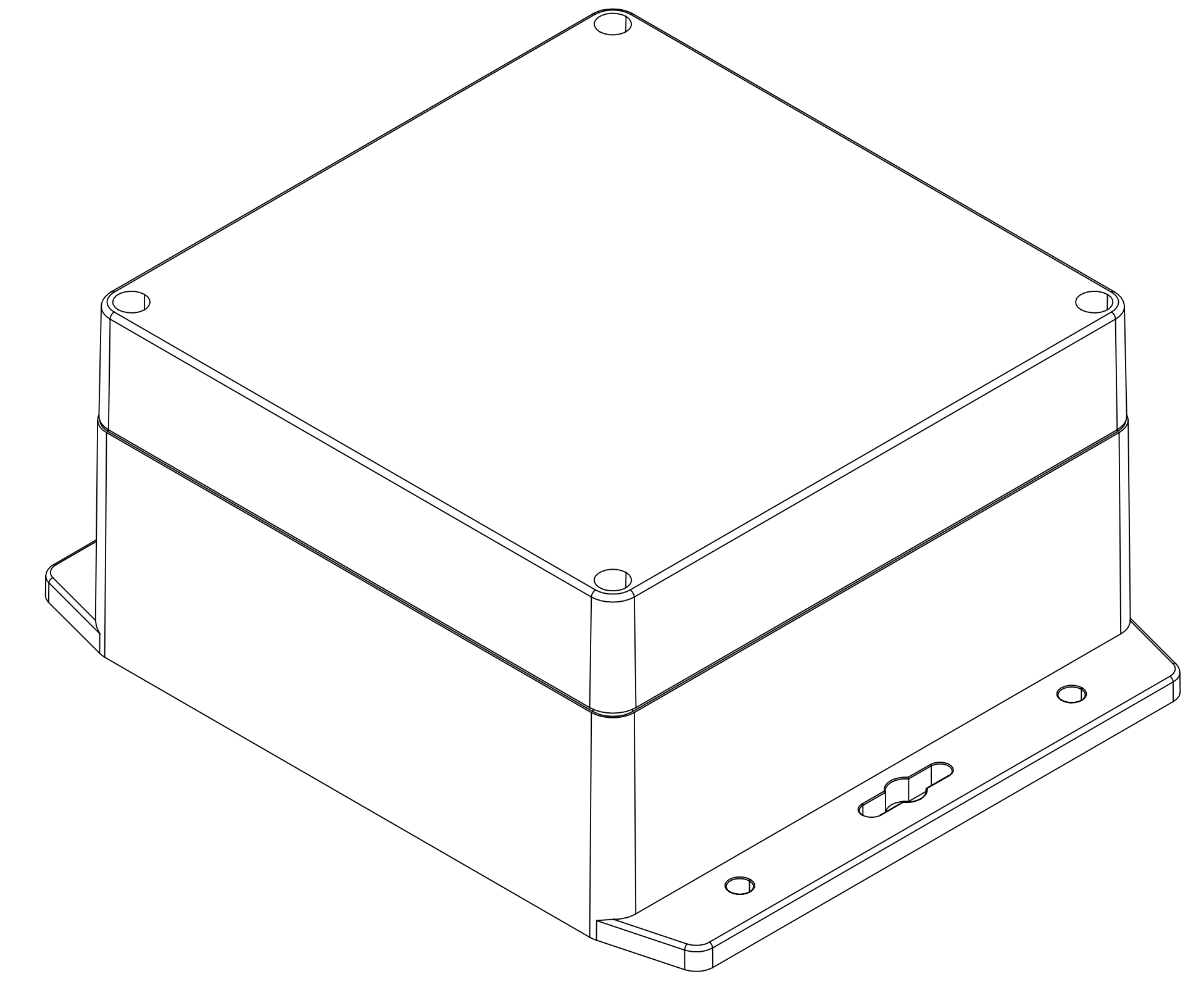
SURFACE-13



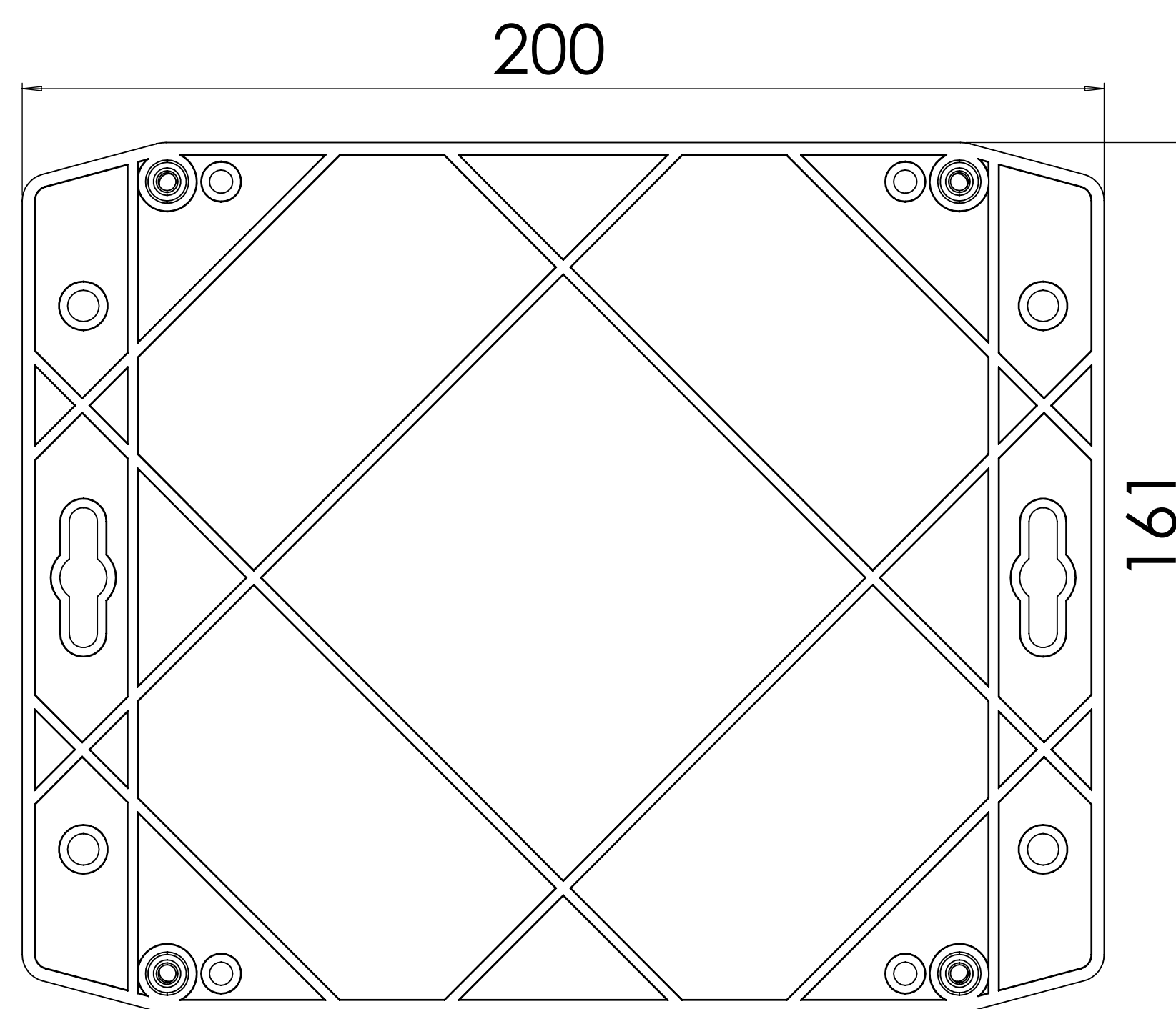
SURFACE-17



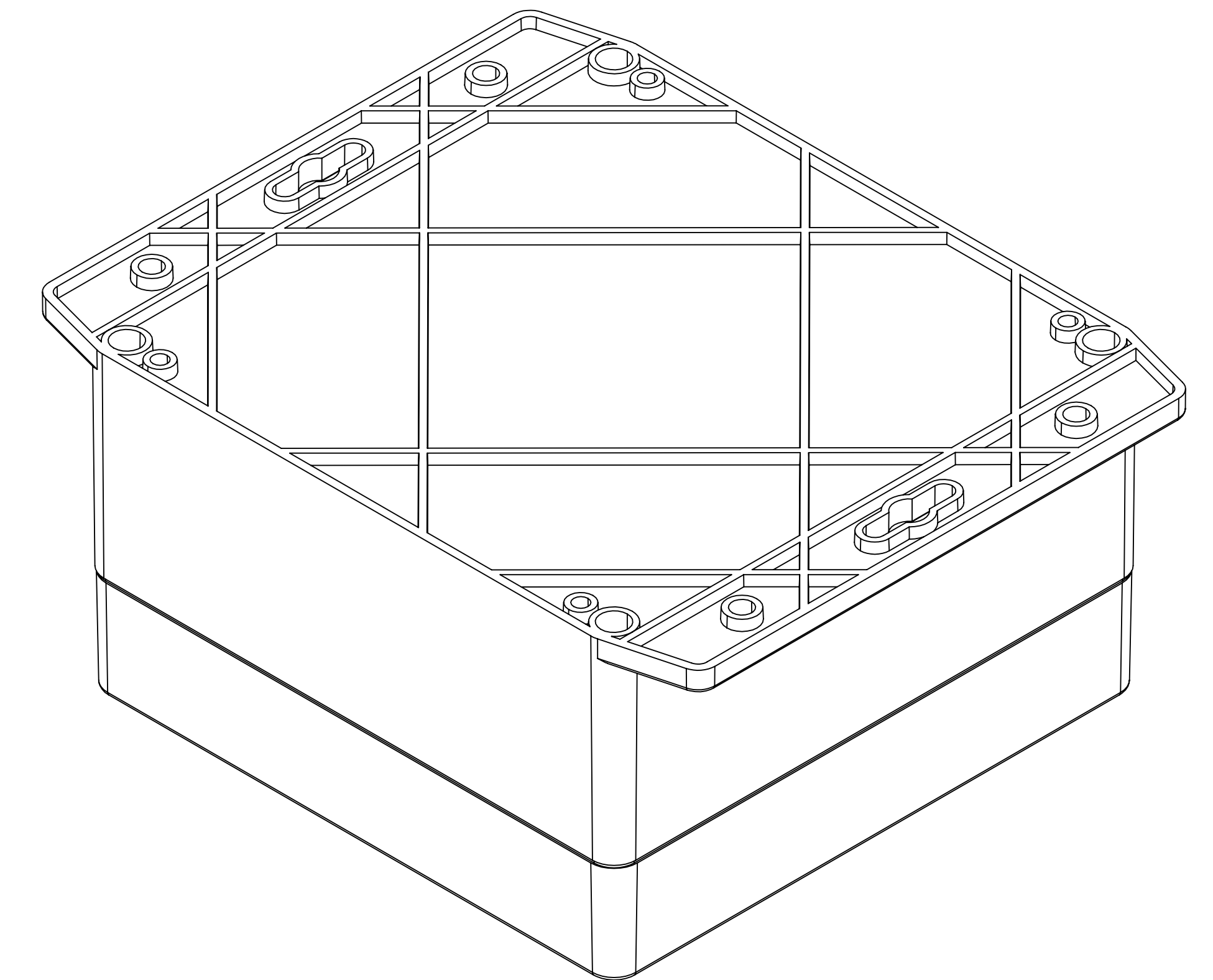
SURFACE-16



SURFACE-14



SURFACE-18



REV. NO	DATE	REVISED BY	DESCRIPTION OF CHANGE
 <b>ALTINKAYA</b> Electronic Enclosures & Components			<a href="http://www.altinkaya.com">www.altinkaya.com</a>
Customer Name:		Customer Ref.:	
Altinkaya Ref.:		Part Name: SF-246-0-0	
DRAWN	NAME	DATE	Drawn From:
CHECKED	Y.YEL	6.07.2024	Material:
DIMENSIONAL TOLERANCES UNLESS OTHERWISE SPECIFIED (DIN7168)		0.5-3mm	3-6mm
		±0.1	±0.1
		±0.2	±0.2
		±0.3	±0.3
		±0.5	±0.5
		m (Medium)	
SCALE 1:1			SHEET 2 OF 2
UNIT: mm			A0