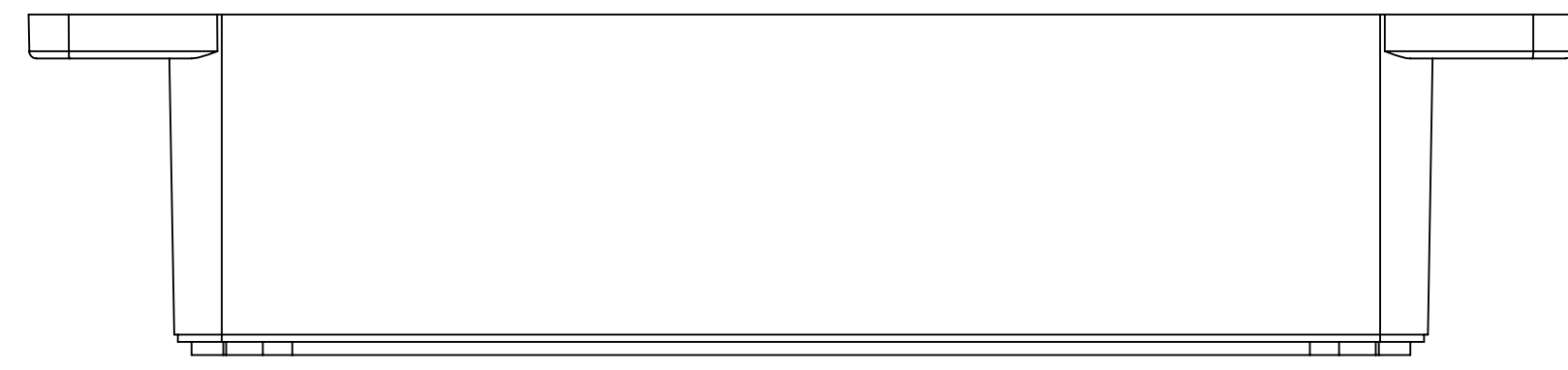
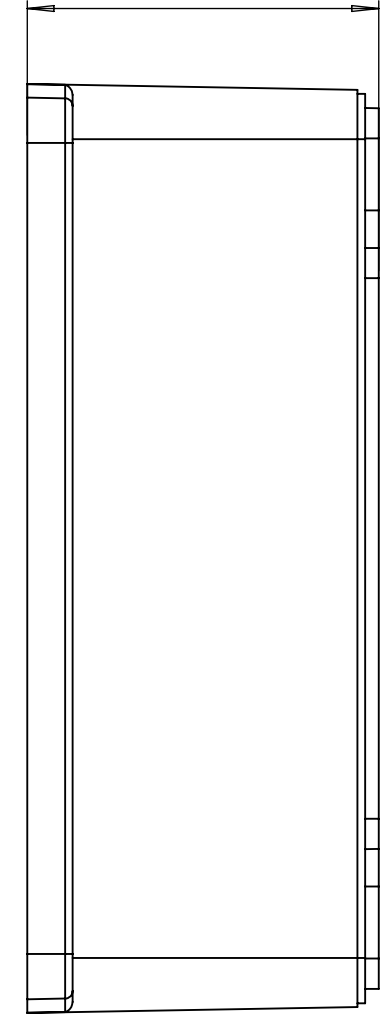


BASE: 6 SURFACE

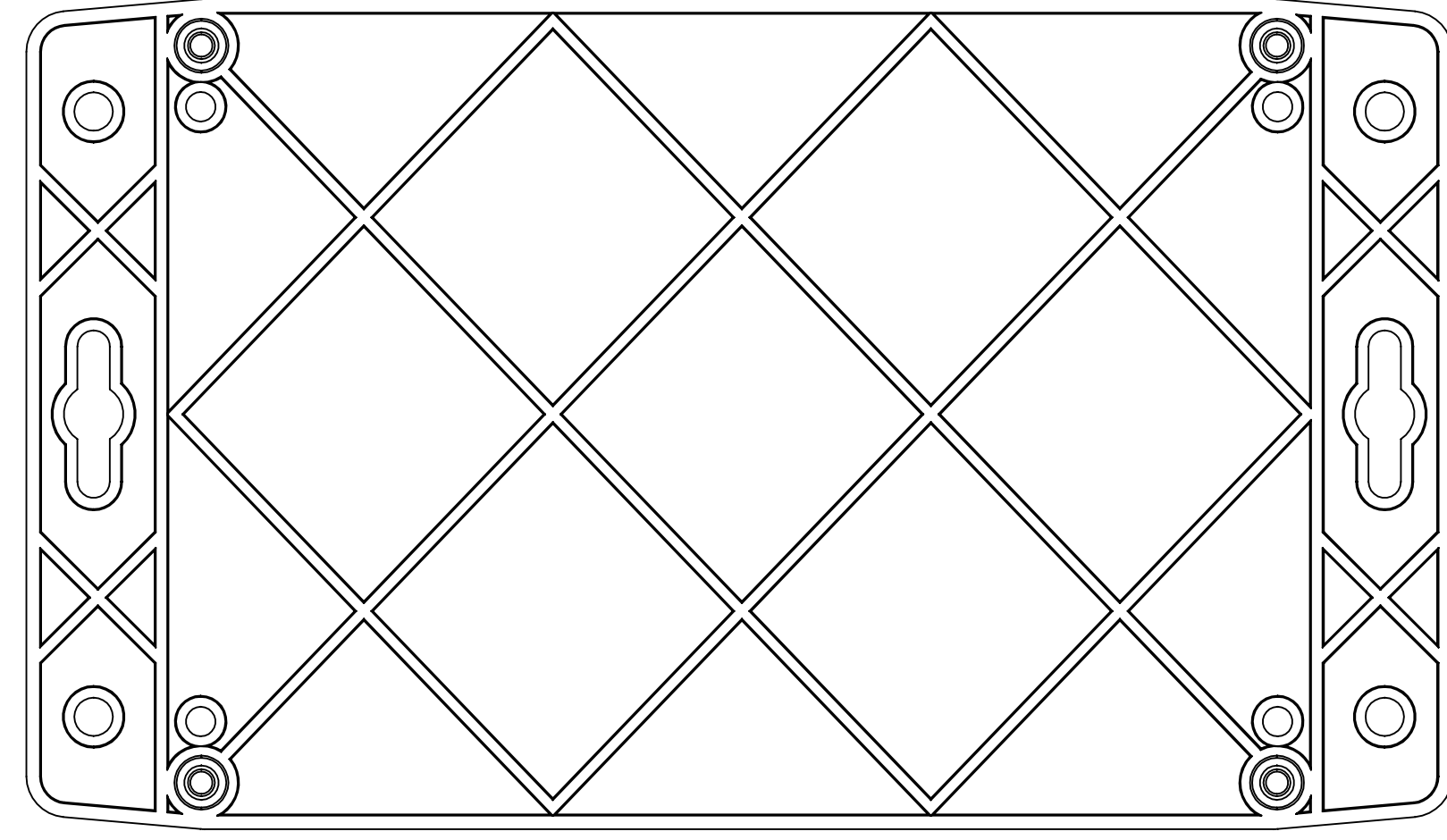


SURFACE-1

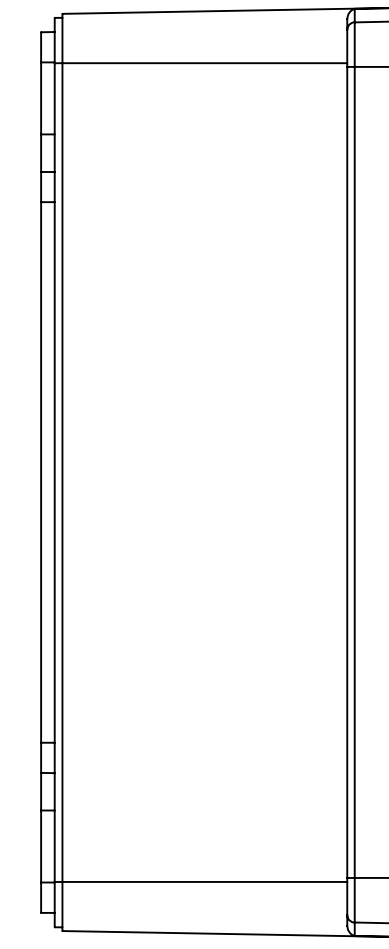
47



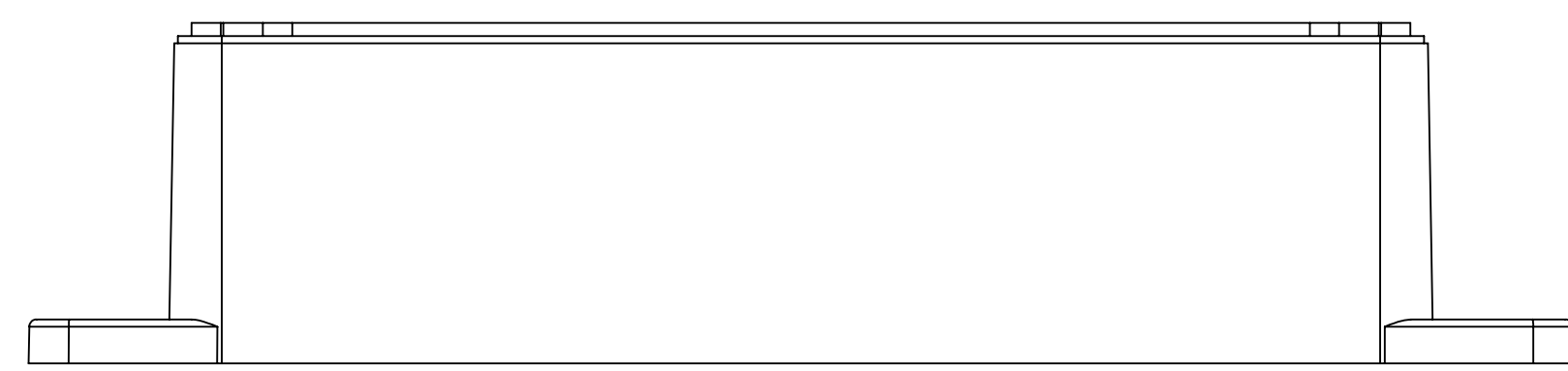
SURFACE-3



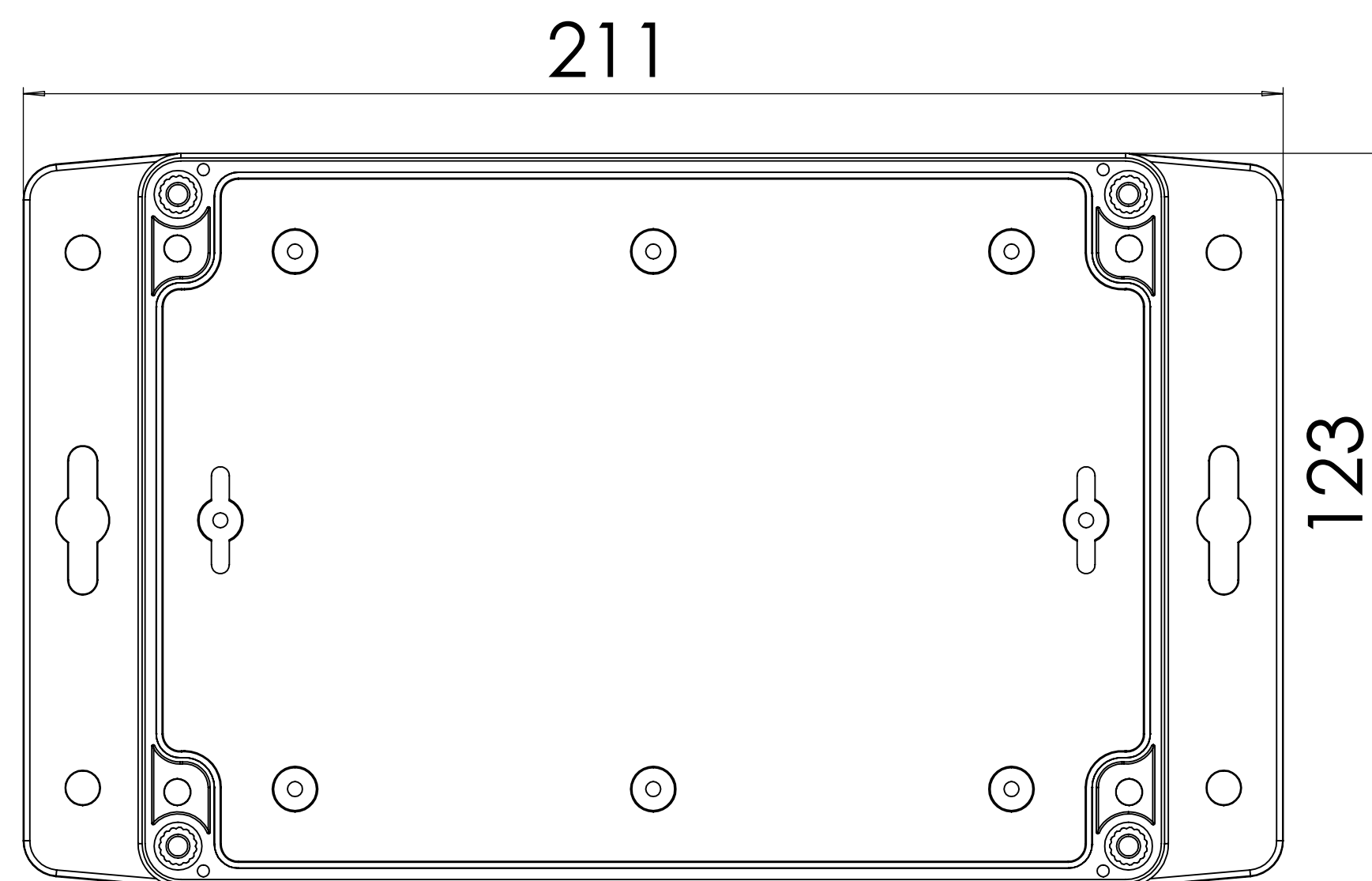
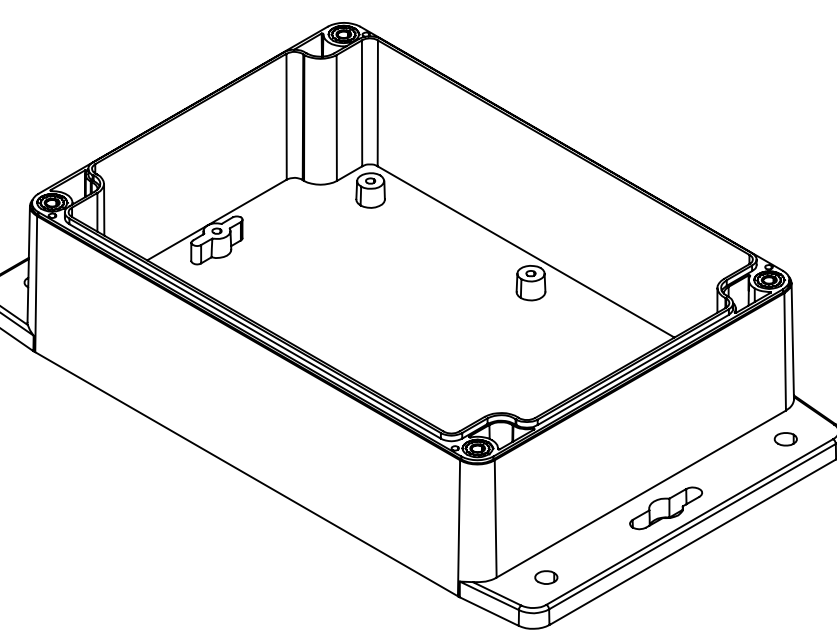
SURFACE-5



SURFACE-4



SURFACE-2



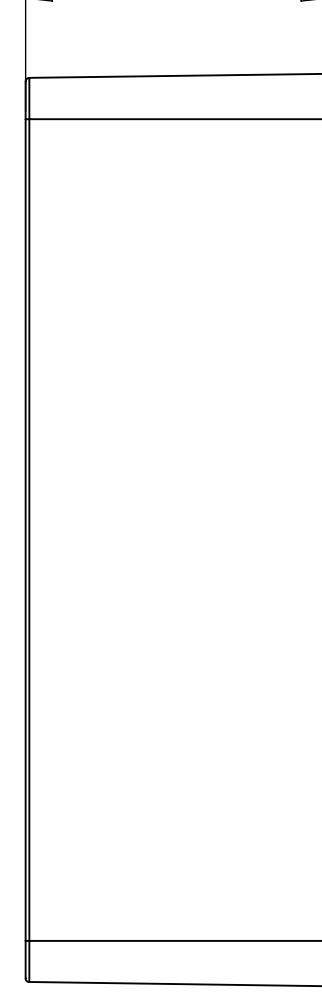
SURFACE-6 (INSIDE)

COVER: 6 SURFACE



SURFACE-7

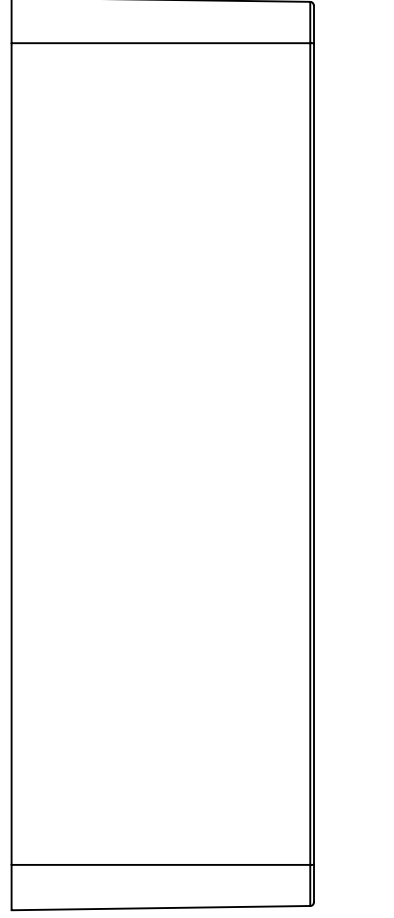
40



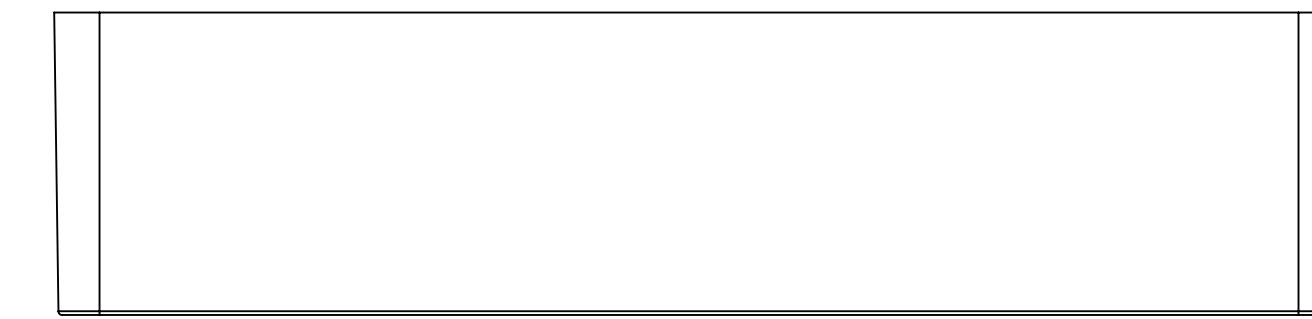
SURFACE-9



SURFACE-11



SURFACE-10

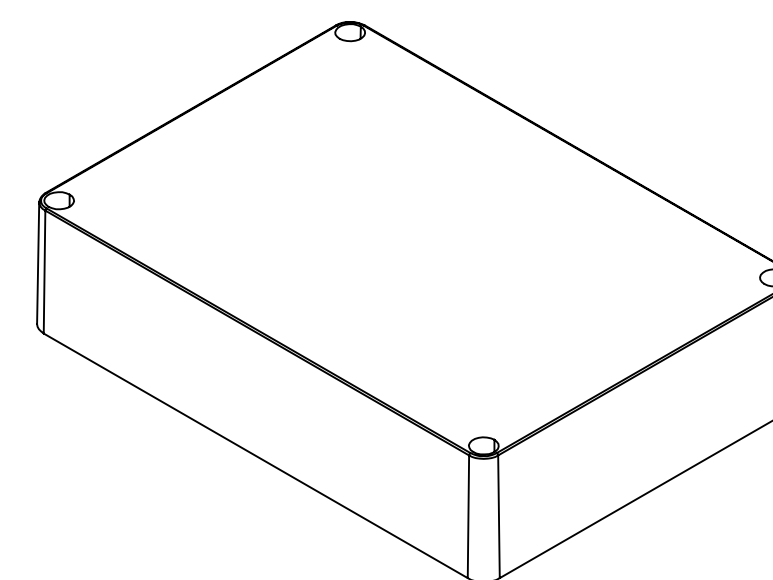



SURFACE-8

171



SURFACE-12 (INSIDE)



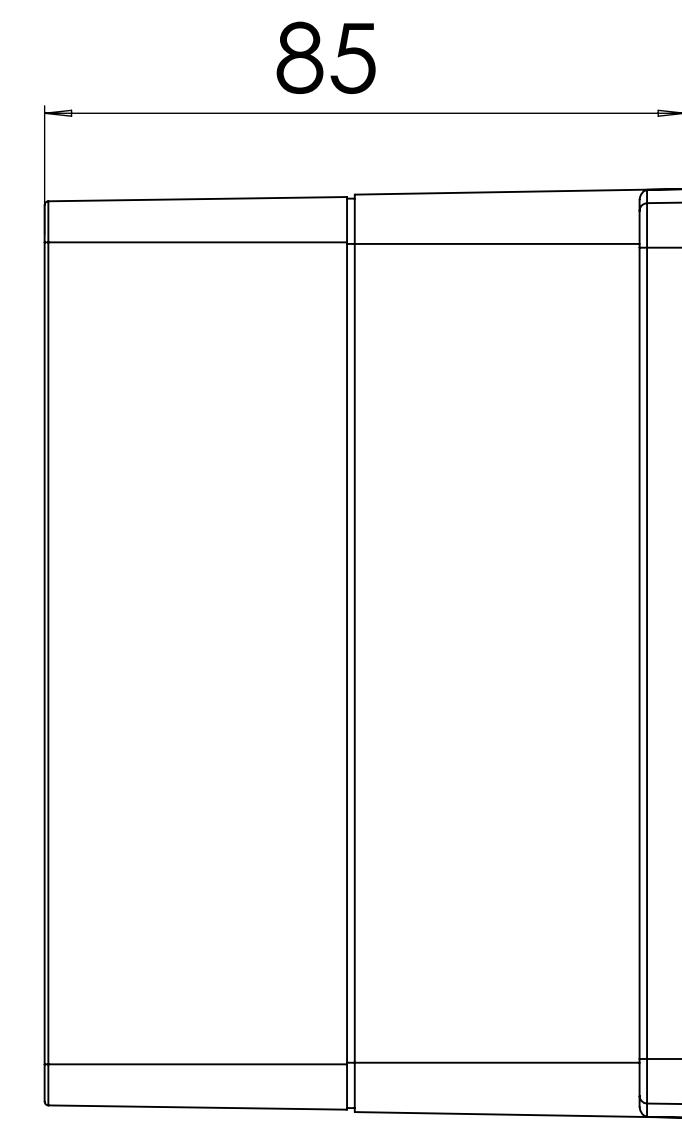
REV. NO	DATE	REVISED BY	DESCRIPTION OF CHANGE
 ALTINKAYA Electronic Enclosures & Components			
Customer Name:		Customer Ref.:	
Altinkaya Ref.:		Part Name: SF-Z38-0-0	
DRAWN	NAME	DATE	Drawn From:
CHECKED	Y.YEL	6.07.2024	Weight:
DIMENSIONAL TOLERANCES UNLESS OTHERWISE SPECIFIED (DIN7168)			
0.5-3mm	3-6mm	6-30mm	30-120mm
±0.1	±0.1	±0.2	±0.3
			120-400mm
			±0.5
			m (Medium)
			SCALE 1:1
			SHEET 1 OF 2
			UNIT: mm
			A0

www.altinkaya.com

SF-238 IF MACHINED TOGETHER



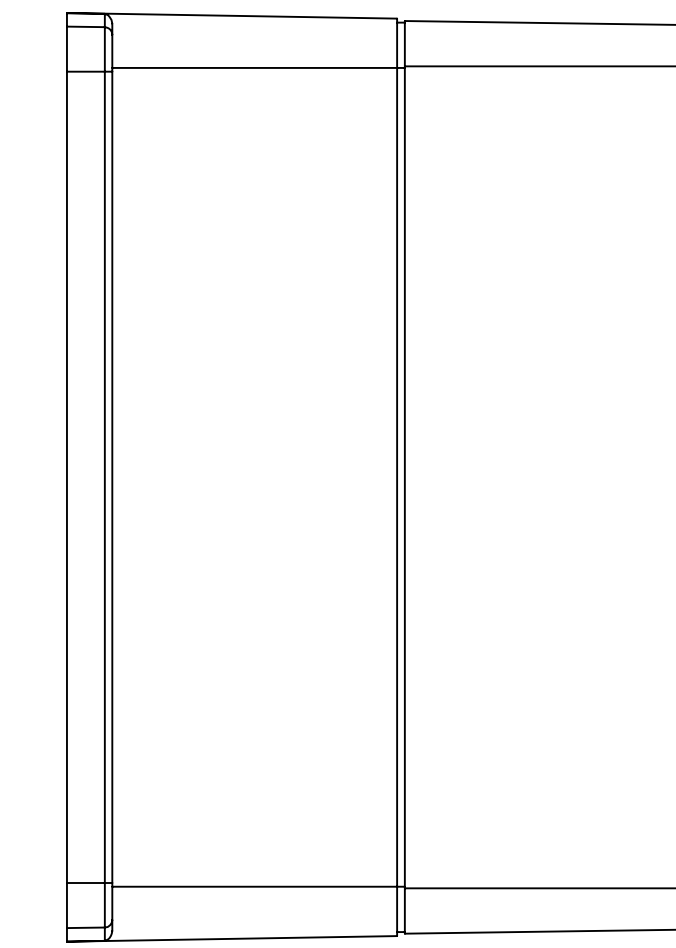
SURFACE-13



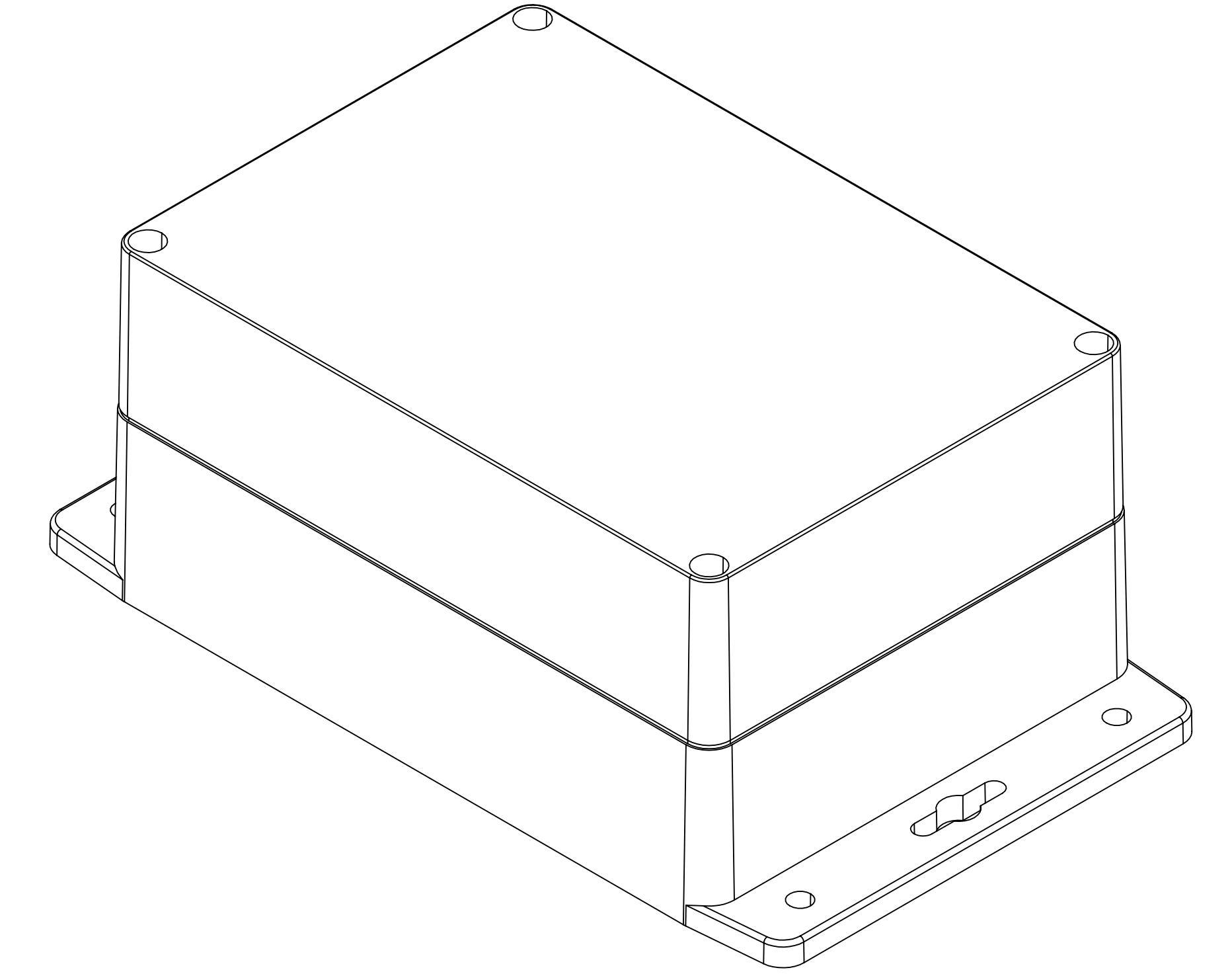
SURFACE-15



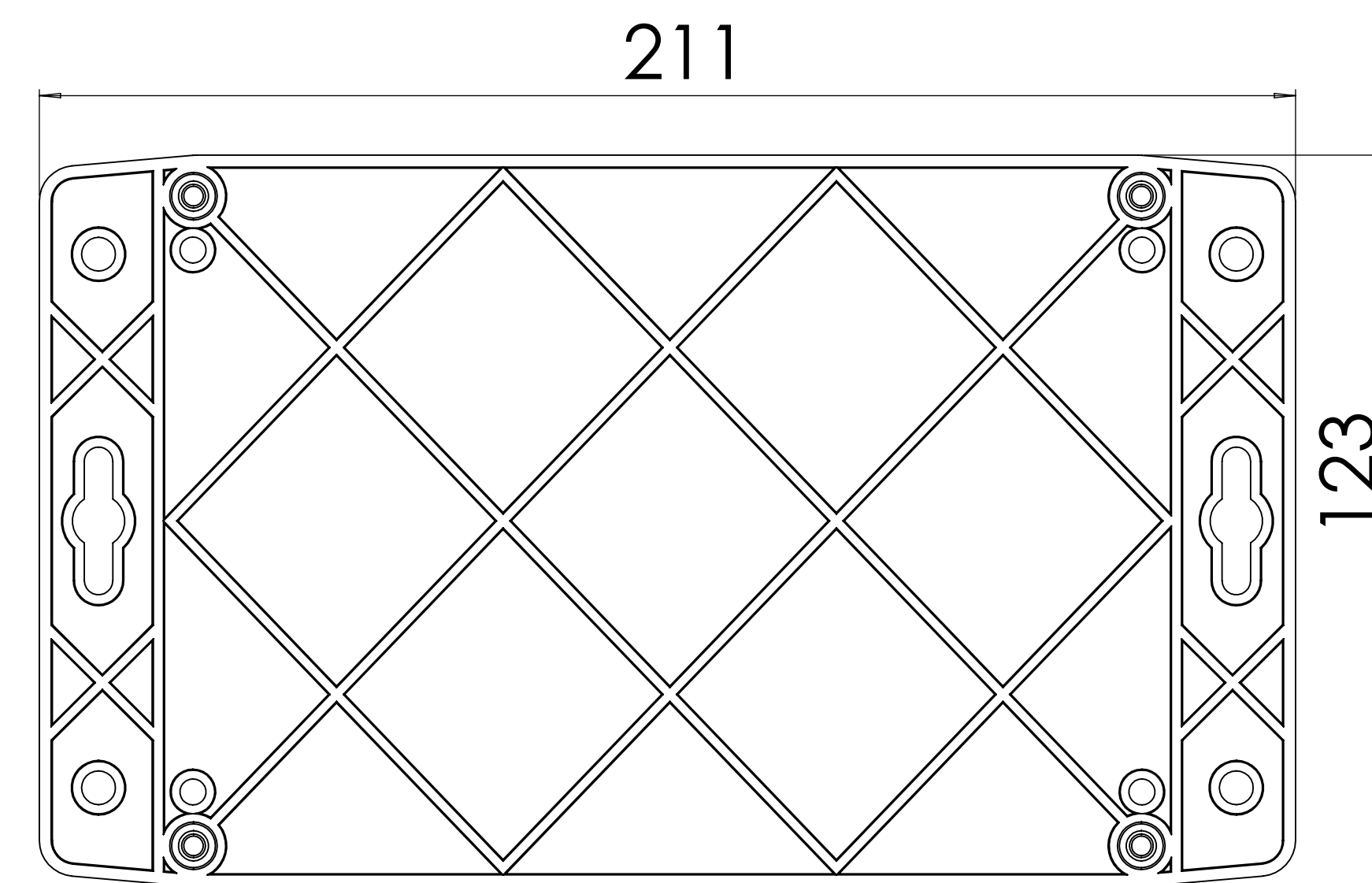
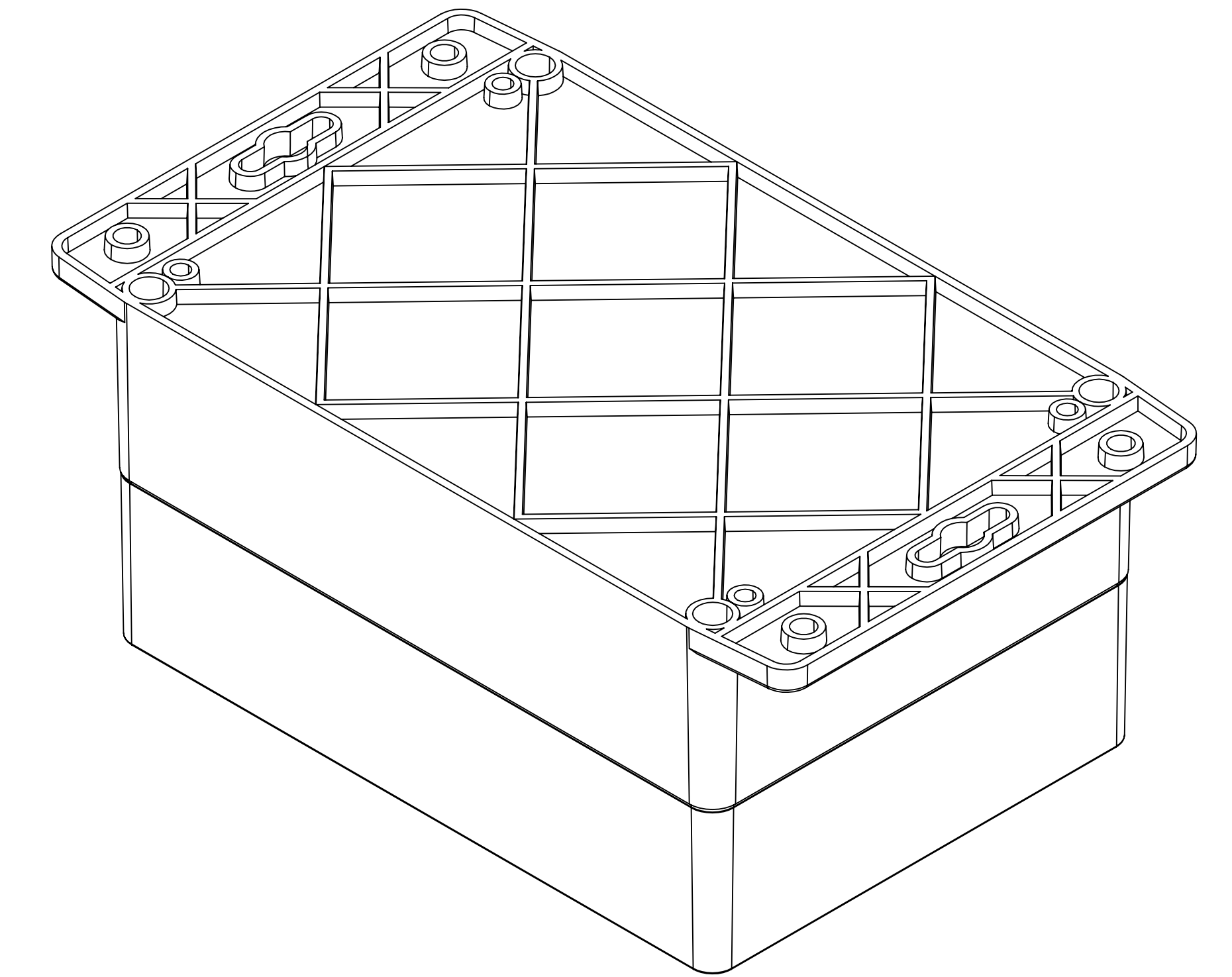
SURFACE-17



SURFACE-16



SURFACE-14



SURFACE-18

REV. NO	DATE	REVISED BY	DESCRIPTION OF CHANGE	
 ALTINKAYA Electronic Enclosures & Components			www.altinkaya.com	
Customer Name:		Customer Ref. :		
Altinkaya Ref. :		Part Name: SF-238-0-0		
DRAWN	NAME	DATE	Drawn From :	SCALE 1:1
CHECKED	Y.YEL	6.07.2024	Material :	SHEET 2 OF 2
DIMENSIONAL TOLERANCES UNLESS OTHERWISE SPECIFIED (DIN7168)			Weight :	UNIT: mm
	0.5-3mm	3-6mm	6-30mm	30-120mm
	±0.1	±0.1	±0.2	±0.3
			±0.5	±0.5
				m (Medium)